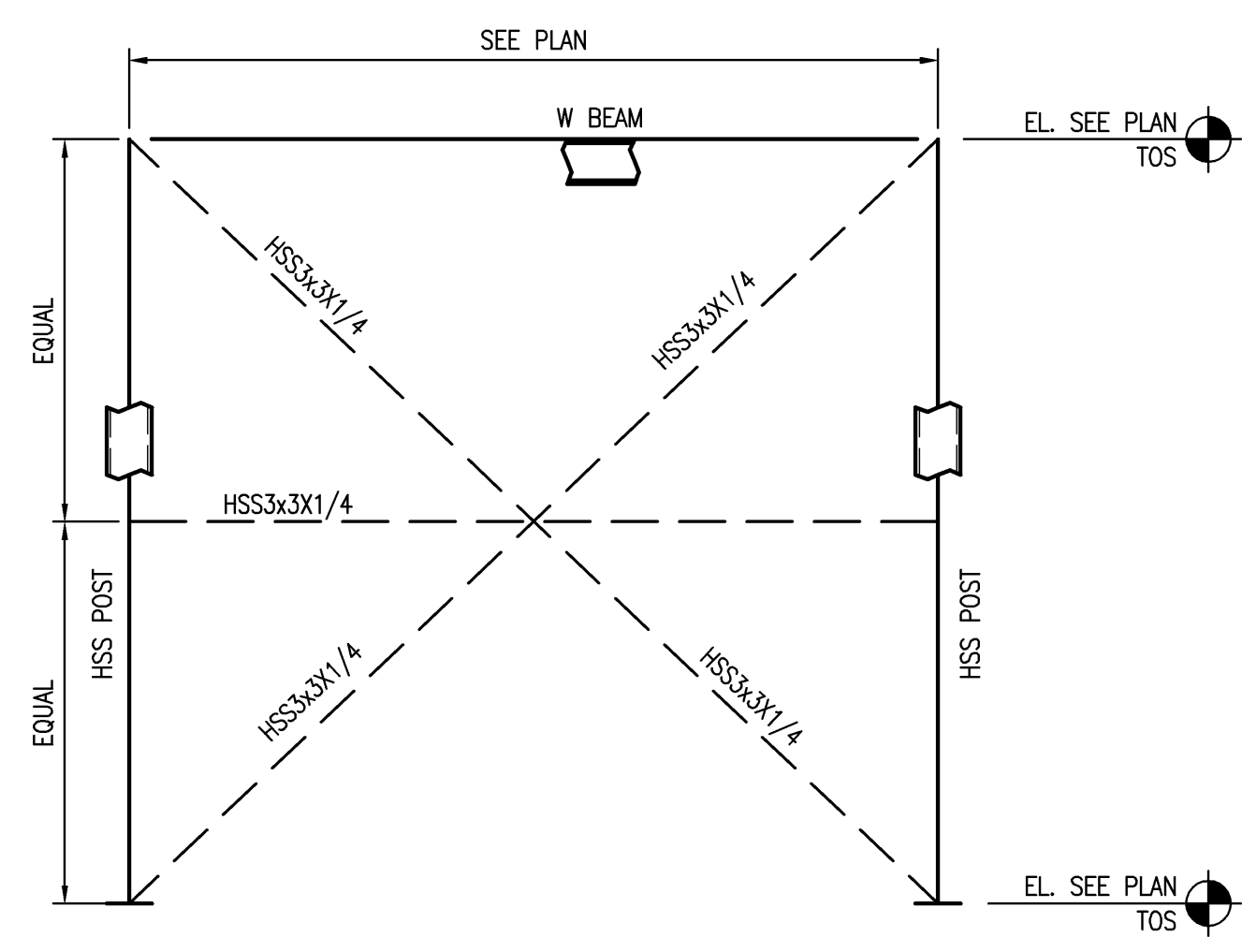
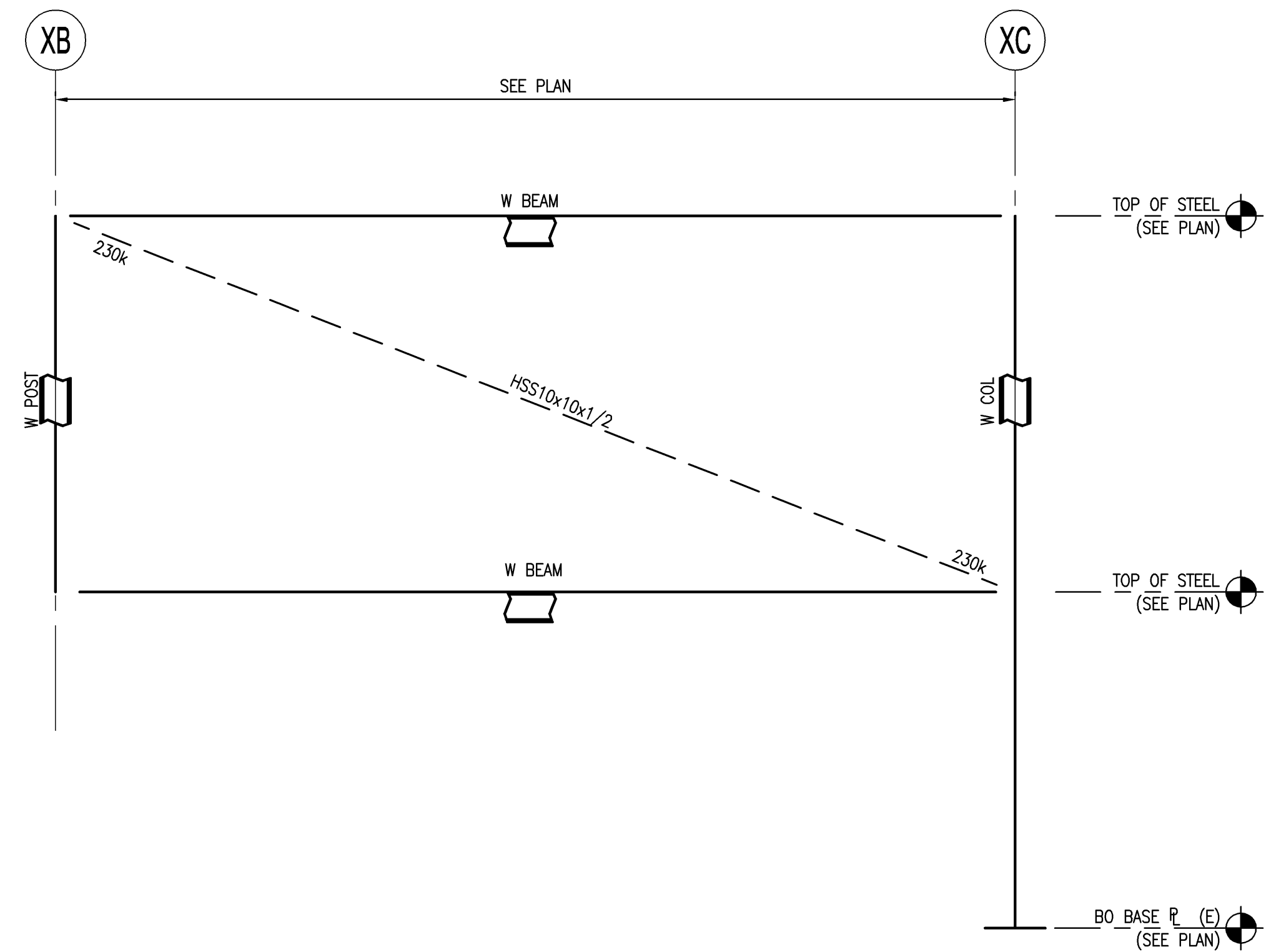


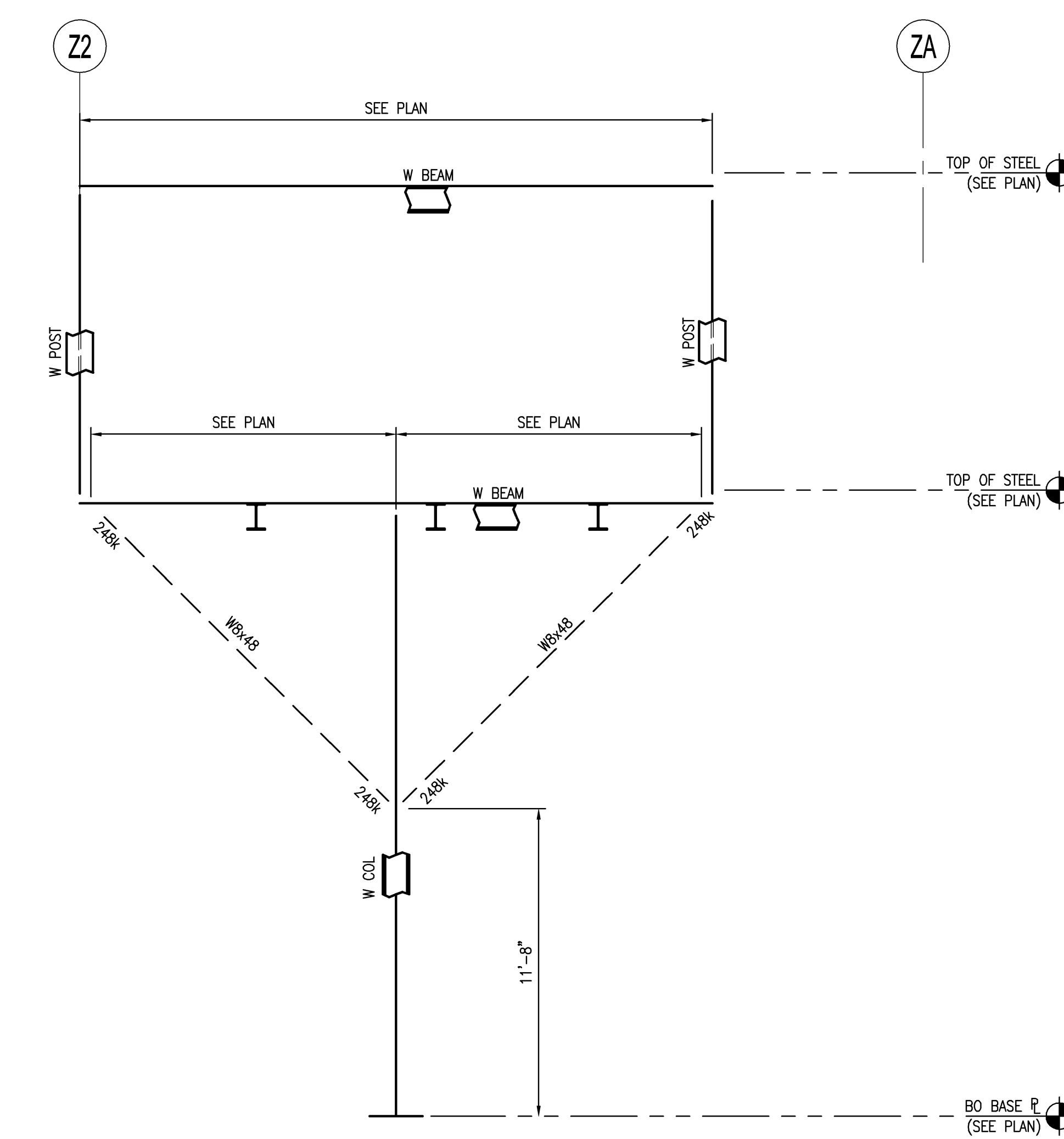
**FRAMING ELEVATION 10**  
SCALE: 1/2" = 1'-0" S02.03.04



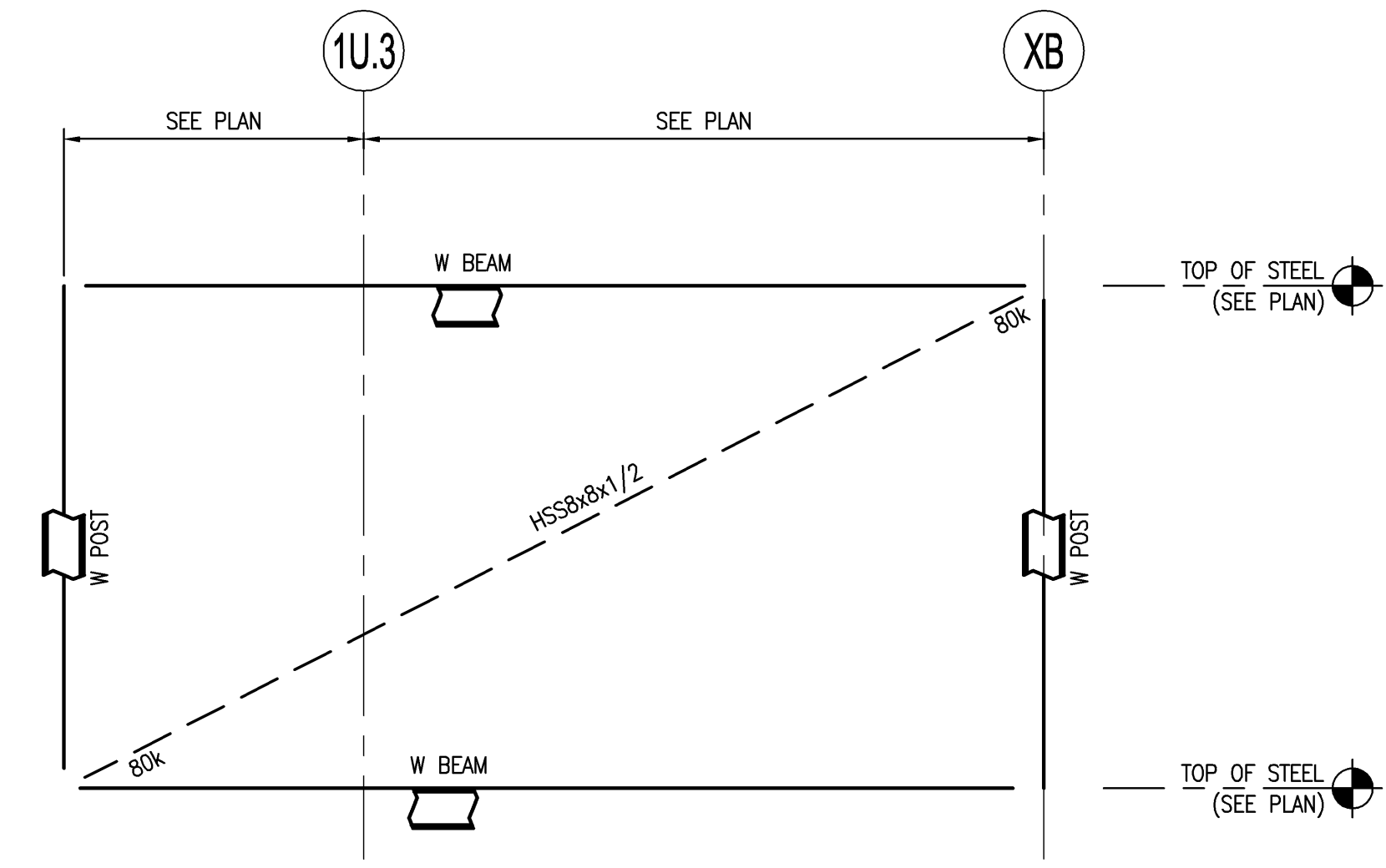
**FRAMING ELEVATION 9**  
SCALE: 1/2" = 1'-0" S02.03.04



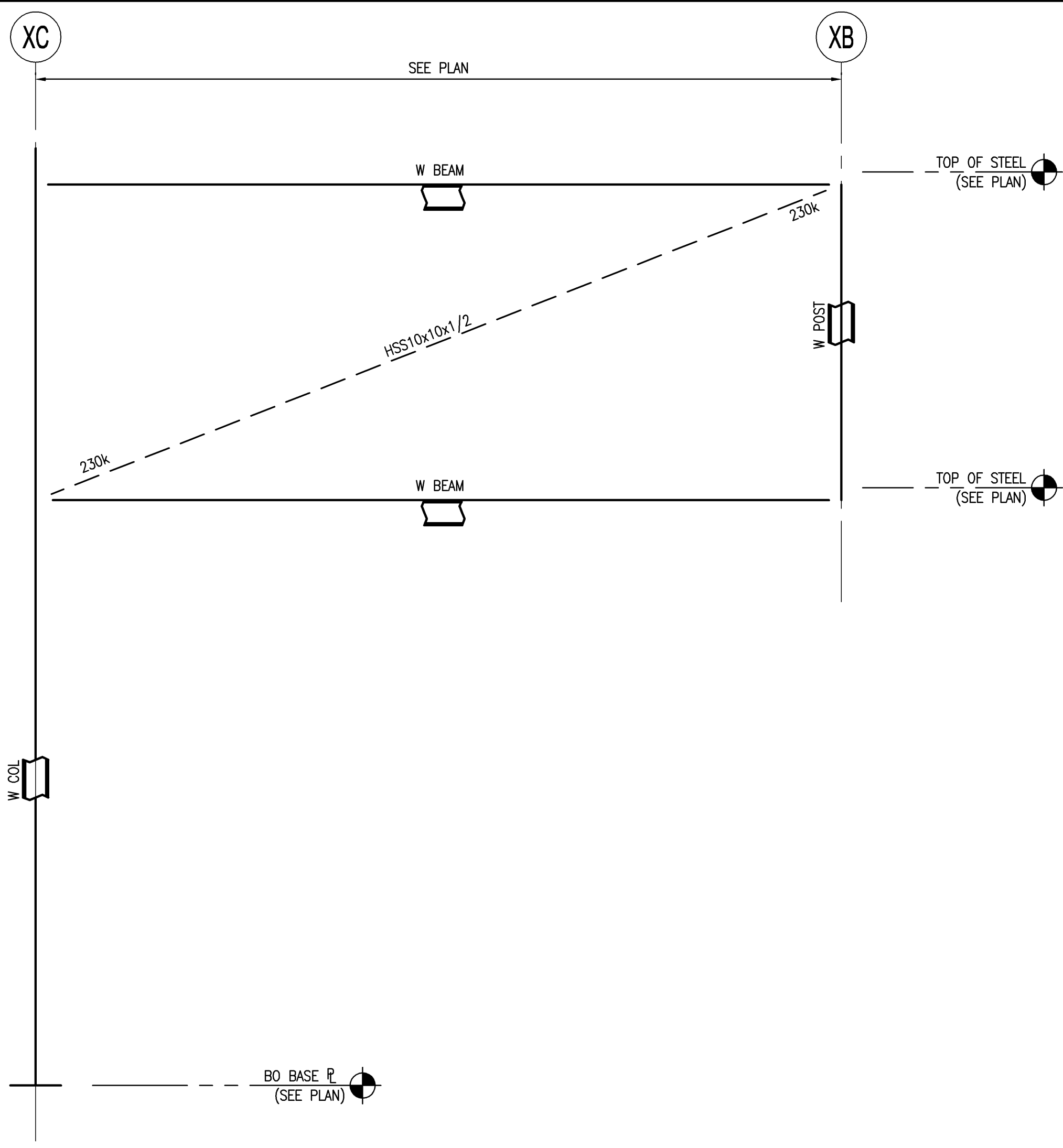
**FRAMING ELEVATION 4**  
SCALE: 1/4" = 1'-0" S02.05.06



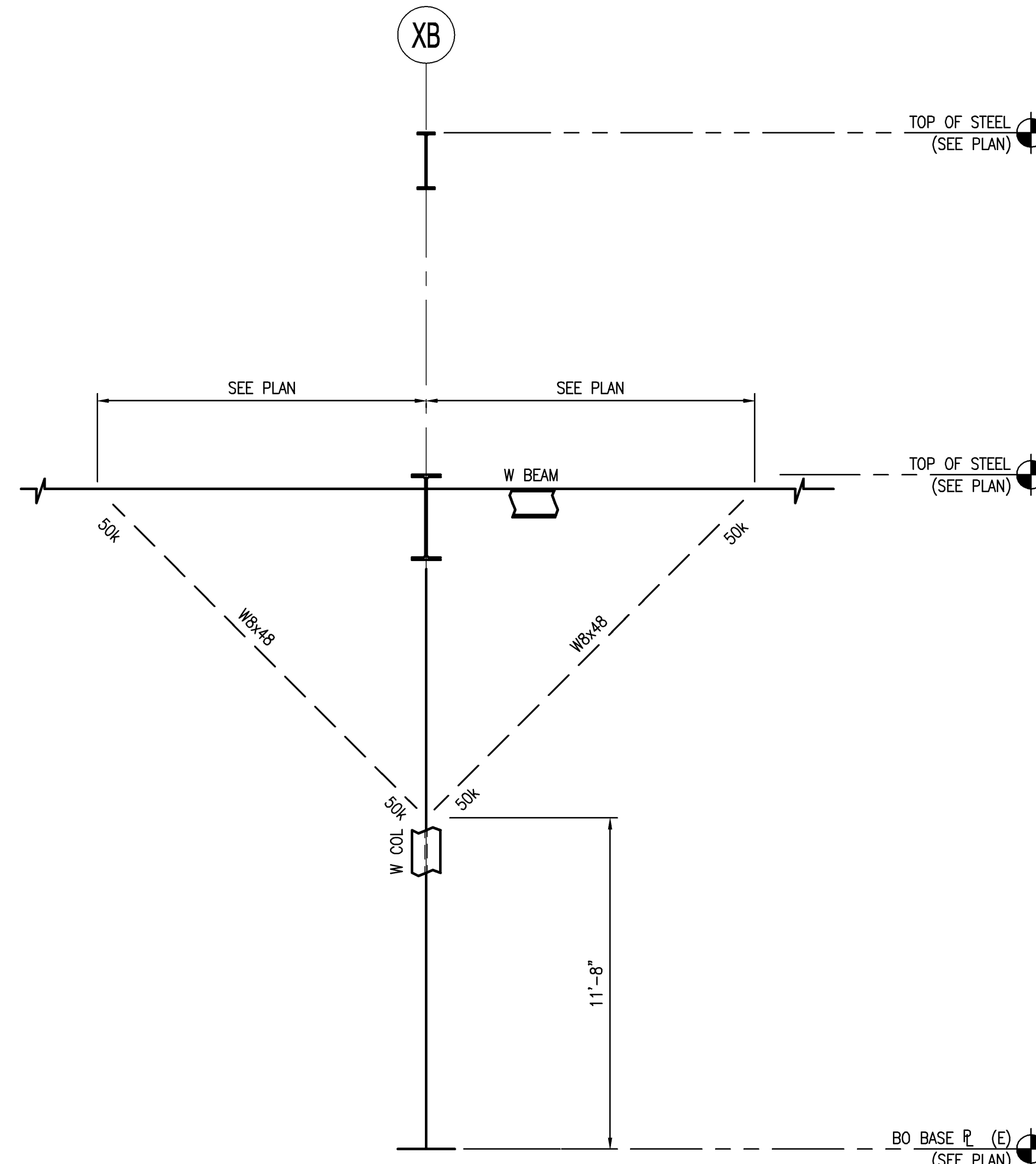
**FRAMING ELEVATION 1**  
SCALE: 1/4" = 1'-0" S02.04.06



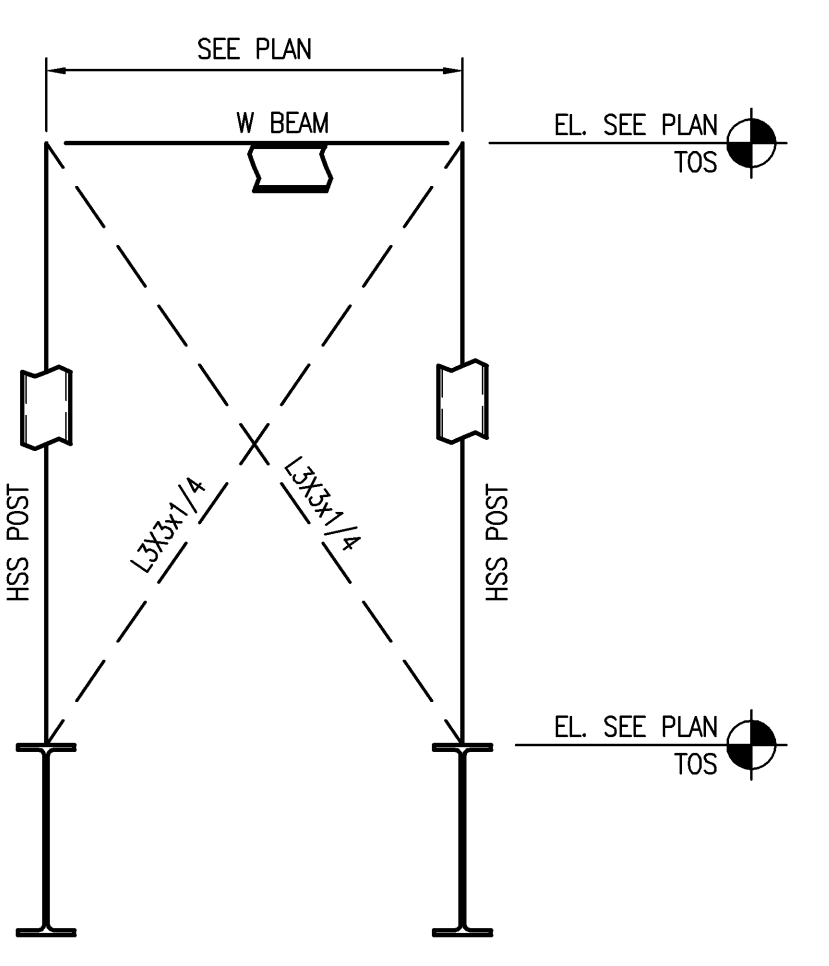
**FRAMING ELEVATION 5**  
SCALE: 1/4" = 1'-0" S02.05.06



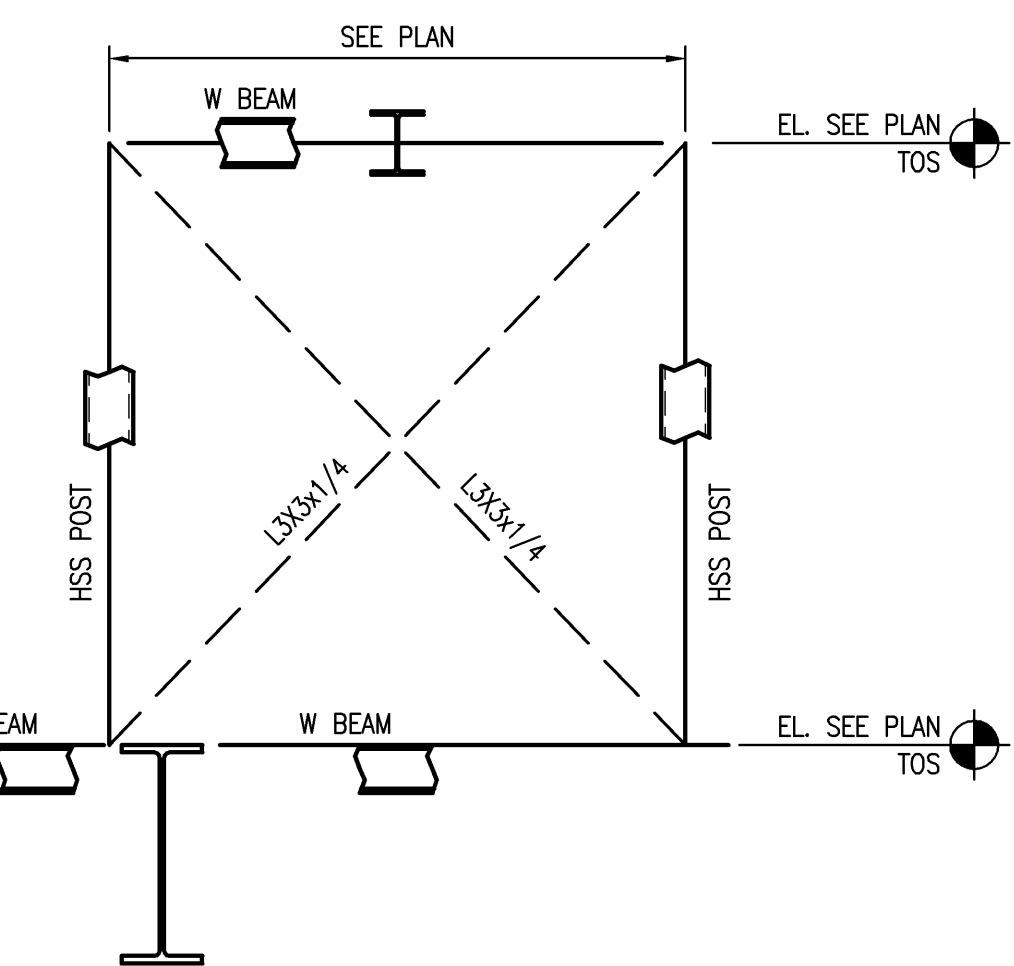
**FRAMING ELEVATION 6**  
SCALE: 1/4" = 1'-0" S02.05.06



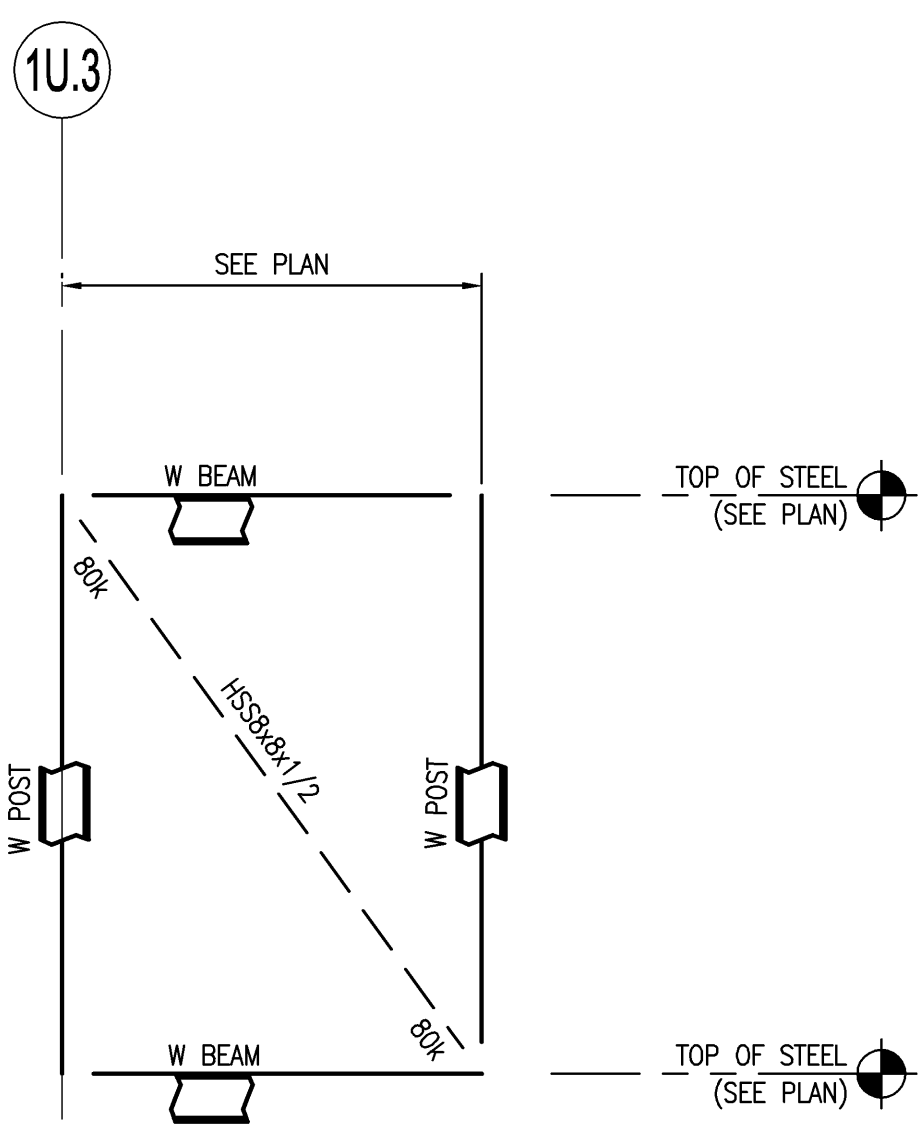
**FRAMING ELEVATION 2**  
SCALE: 1/4" = 1'-0" S02.04.06



**FRAMING ELEVATION 8**  
SCALE: 1/2" = 1'-0" S02.04.05



**FRAMING ELEVATION 7**  
SCALE: 1/2" = 1'-0" S02.04.05



**FRAMING ELEVATION 3**  
SCALE: 1/4" = 1'-0" S02.05.06

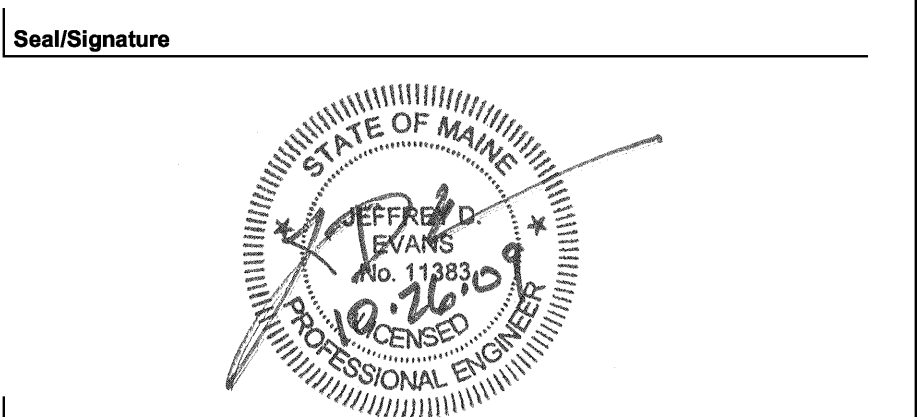
**SHEET NOTES**  
12K (EXAMPLE) INDICATES MEMBER END REACTION IN KIPS.

**Portland International Jetport**  
1001 Westbrook Street  
Portland, Maine 04102

**Gensler**  
2020 K Street, NW  
Suite 200  
Washington, DC 20006  
Telephone 202.771.5200  
Facsimile 202.872.8587

**oest ASSOCIATES, INC.**  
341 Oyster Brook, South Portland, ME 04106 P (207) 741-1770 F (207) 774-244 www.oest.com  
engineers • architects • surveyors • construction managers

Issue	Date & Issue Description	By	Check
01	01/23/09	JDE	--
02	10/26/09	JDE	--



Project Name  
PWM Terminal Enhancement

Project Number  
09.6395.000

CAD File Name  
T:\5330101\SHEETS\S09.02.DWG

Description  
FRAMING ELEVATIONS

Scale  
1/4" = 1'-0"

**S09.02**