

UNDER SLAB DRAINAGE PLAN
SCALE: NOT TO SCALE

6

ADJACENT TO EXIST BLDG-SOUTH
SCALE: 3/4"=1'-0"

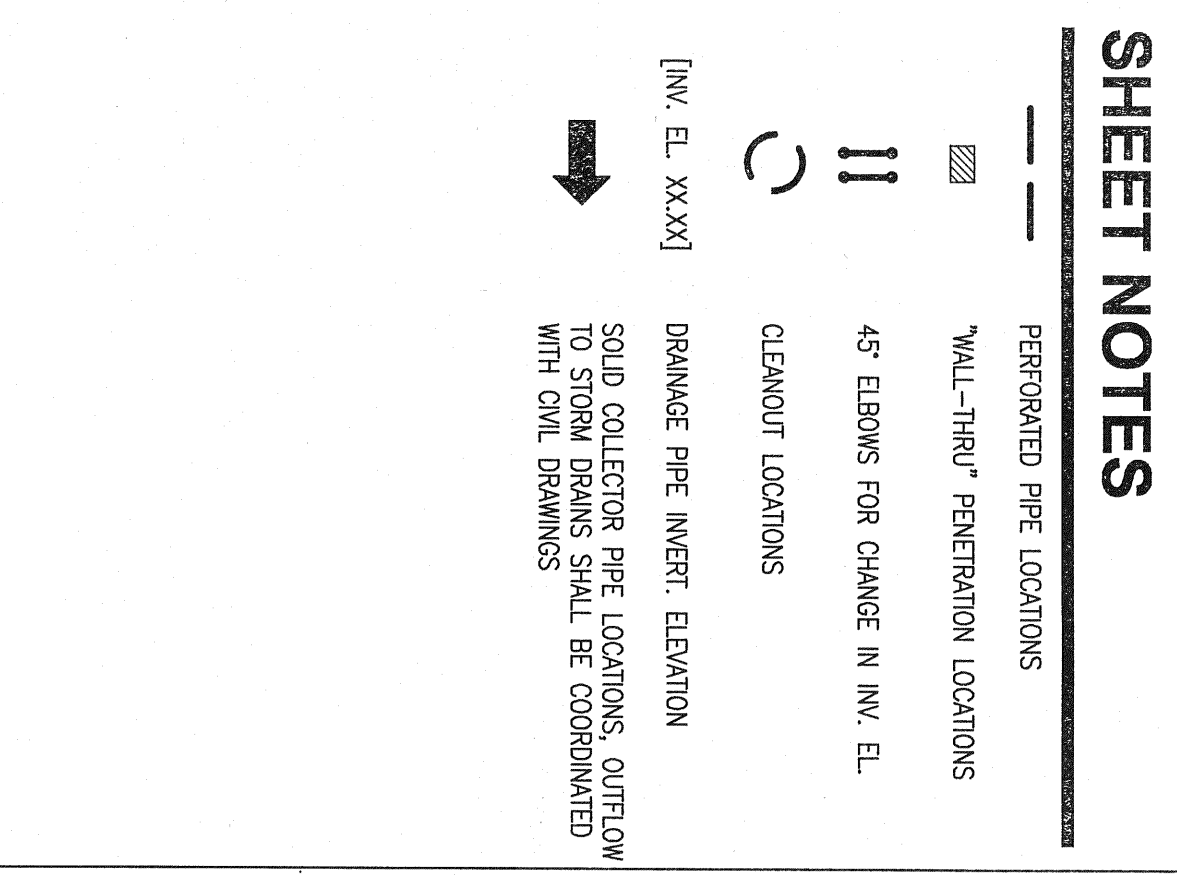
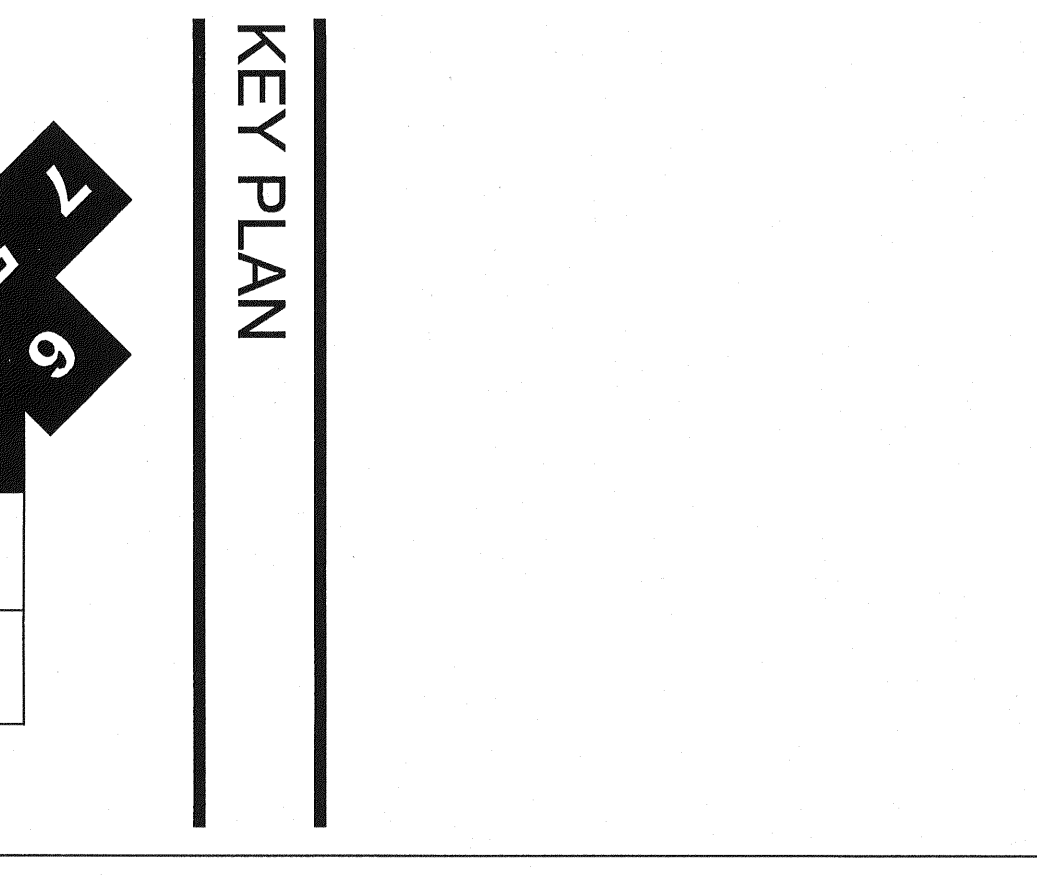
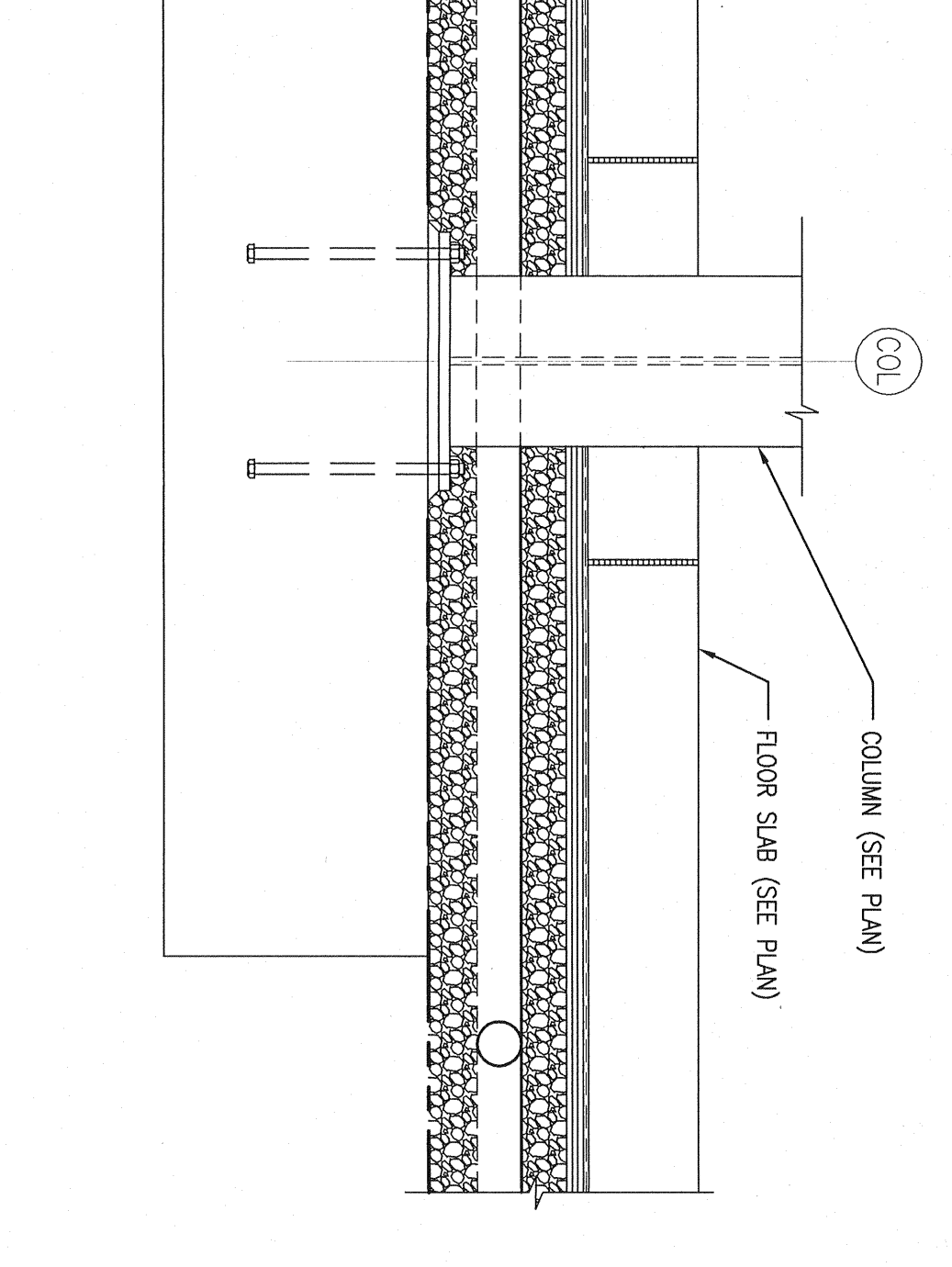
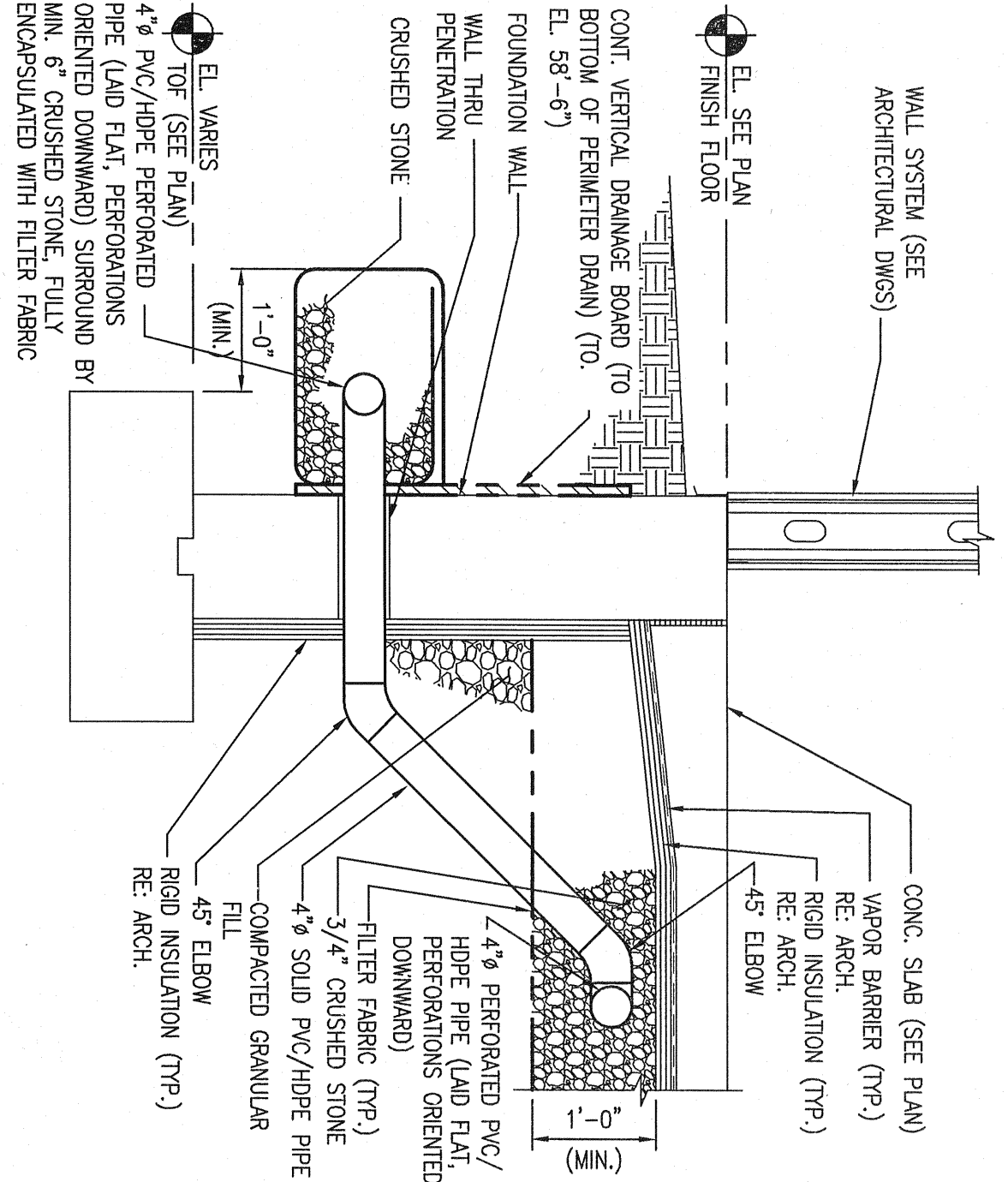
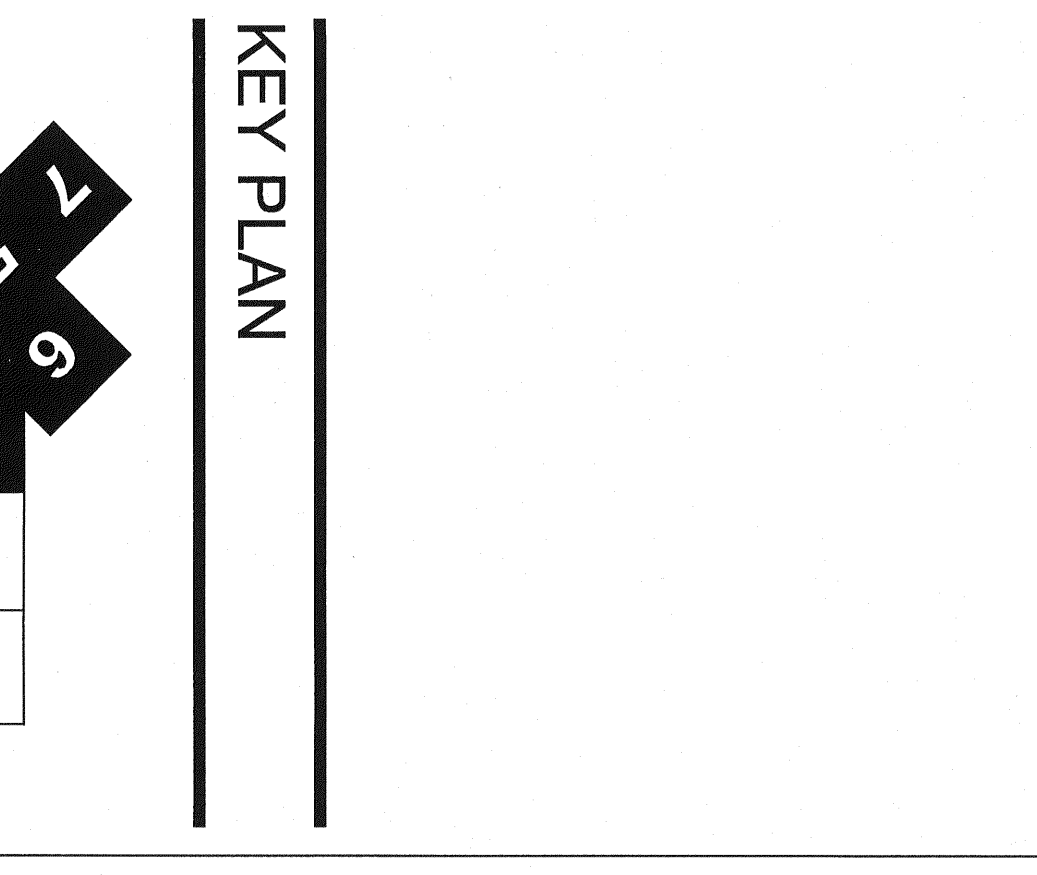
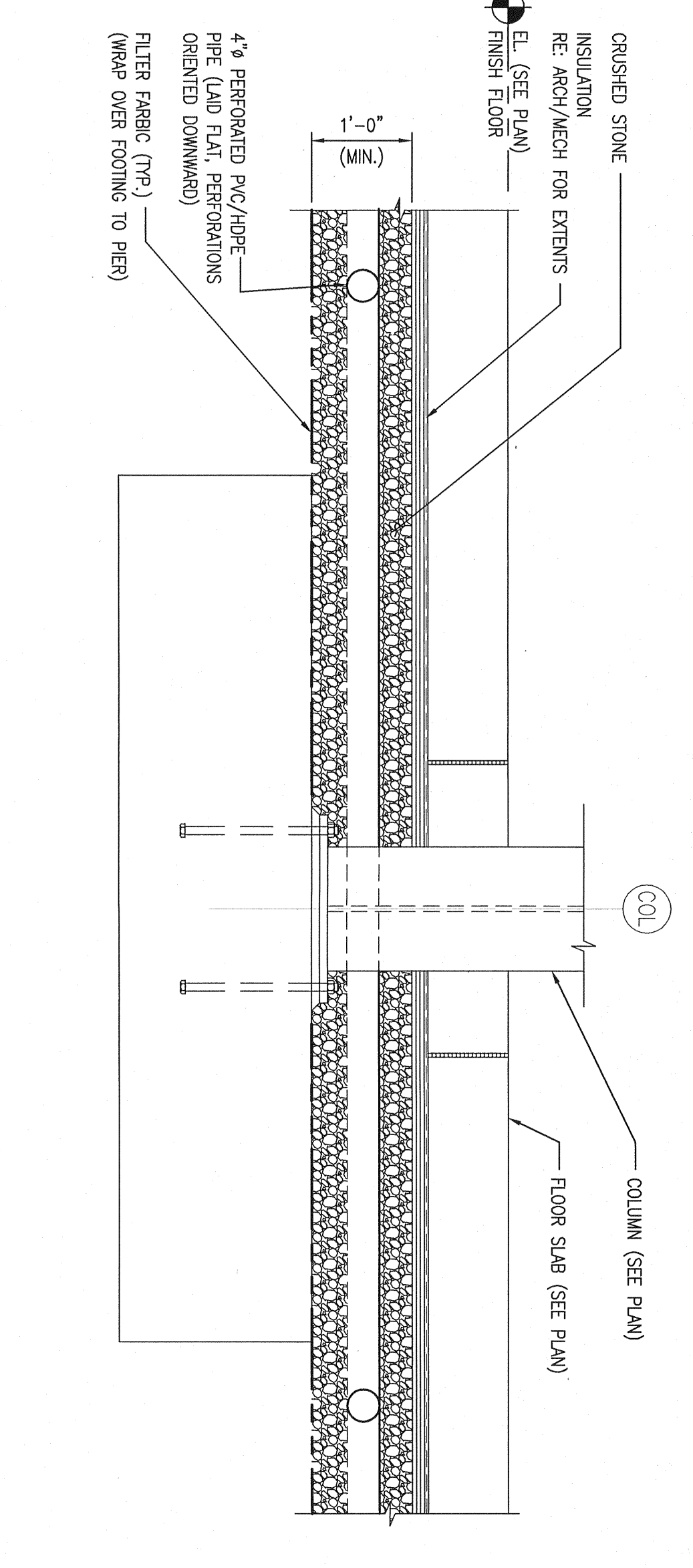
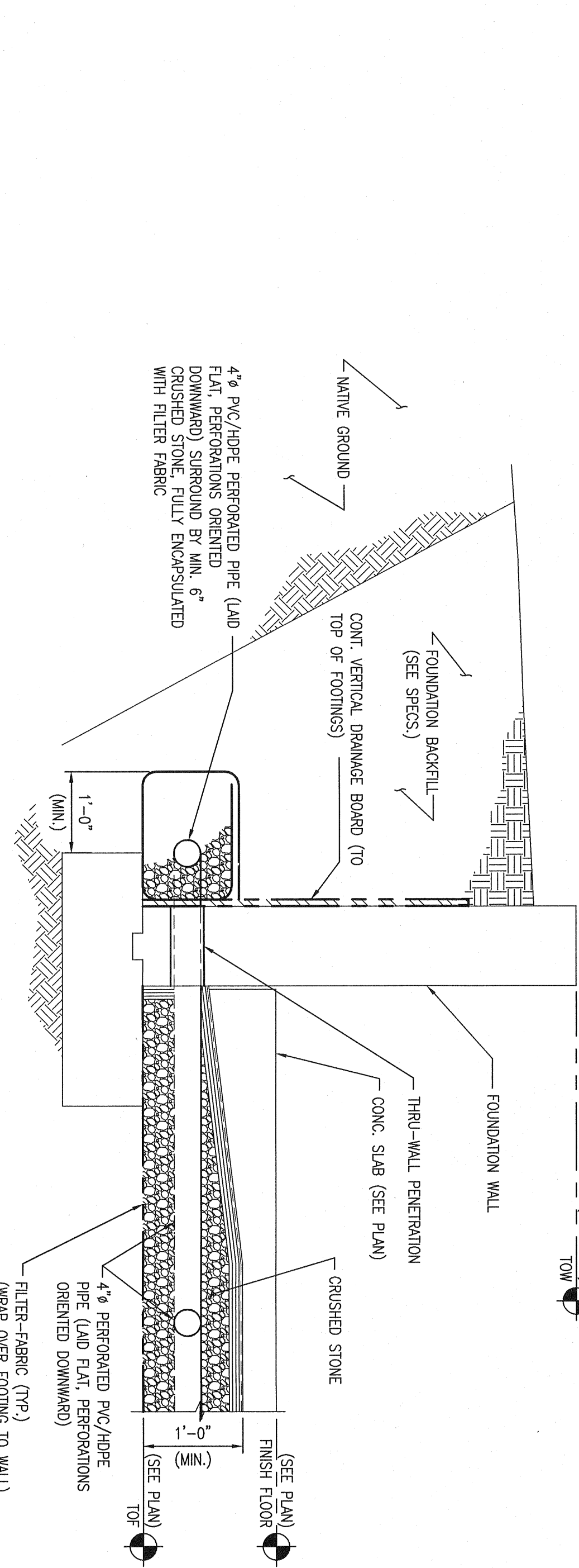
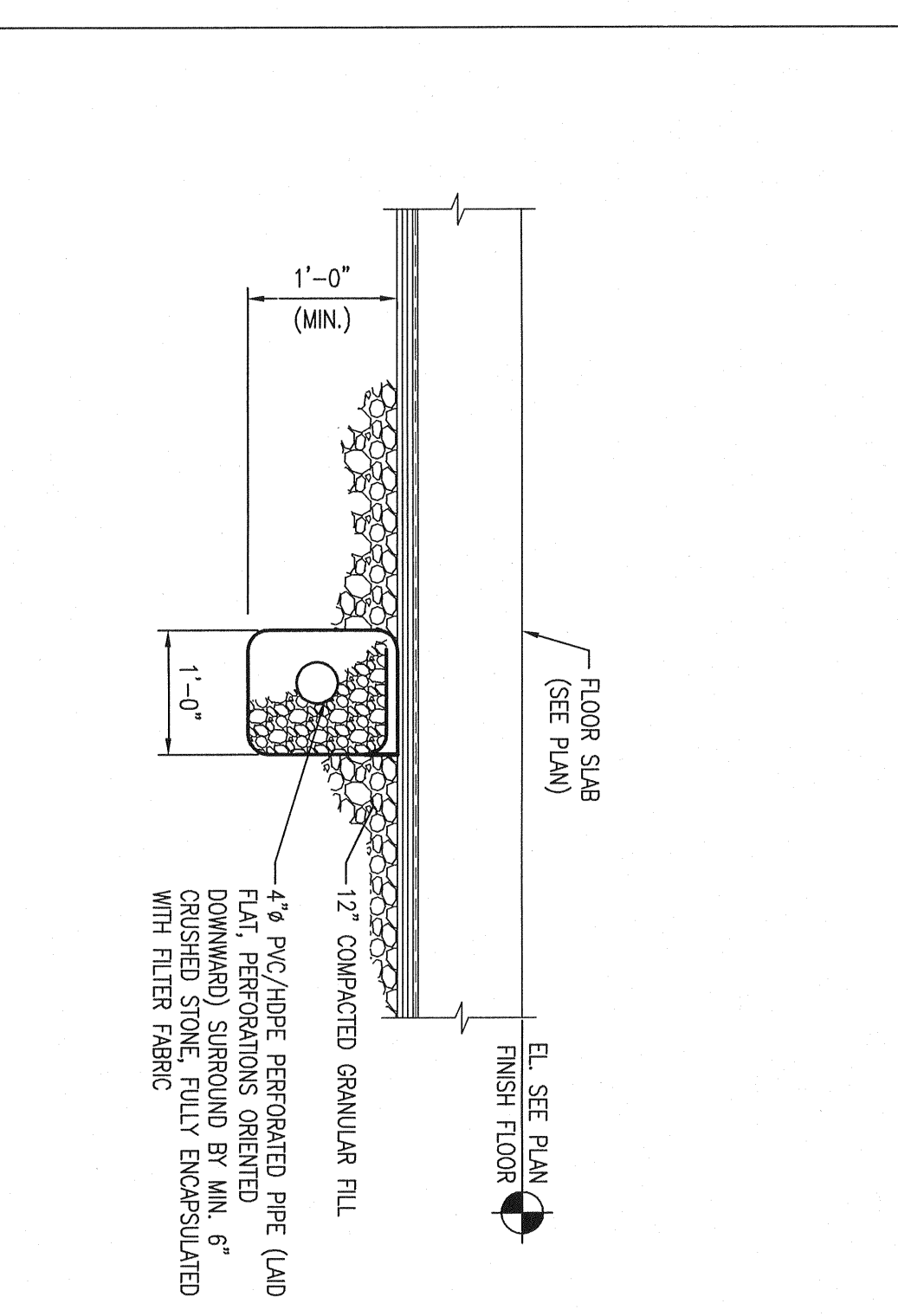
4

INTERIOR FDN WALL DETAIL (TYP.)
SCALE: 3/4"=1'-0"

2

PERIMETER DRAIN DETAIL
SCALE: 3/4"=1'-0"

1



SHEET NOTES

- PREPARED PIPE LOCATIONS
- WALL-TIE/PENETRATION LOCATIONS
- 4\"/>

ADJACENT TO EXIST BLDG-NORTH
SCALE: 3/4"=1'-0"

3

GENERAL NOTES

- FLOOR SLABS IN TERMINAL ADDITIONAL SHALL BE UNDERLAIN BY VAPOR BARRIER, 2" RIGID INSULATION, MIN. 12" THICKNESS OF PERIMETER DRAINAGE SYSTEM SHALL BE INSTALLED OVER INSULATION AND SHALL BE WAPED OVER FOOTINGS TO PERM (INTERIOR) AND WALLS (EXTERIOR) VERT UP EXTERNS OF INSULATION WITH ARCHITECT.
- UNDER SLAB AND PERIMETER DRAINAGE PIPING SHALL CONSIST WITH PERFORMANCES ORIENTED DOWNWARD, INSTALLED AT THE CONFERENCE WITH DETAILS.
- PERIMETER DRAINS SHALL INCLUDE MIN. 6" CRUSHED STONE SARGRANING THE PRESS IN ALL SECS COMPLETELY SHALL EXTEND MIN. 12" BEYOND OUTSIDE EDGE OF FOOTING.
- CONTINUOUS VERTICAL DRAINAGE BOUND SHALL BE INSTALLED DRAINAGE AND PERIMETER DRAIN PIPES COMPLETE VERTICAL ARCHITECTURAL DETAILS.
- INSTALL 2" RIGID INSULATION OVER PERIMETER DRAIN IN LOCATIONS INDICATED, ACTUAL LOCATIONS MAY VARY SLIGHTLY FOR SIZE OF CONSTRUCTION AS PROVIDED BY CONTRACT.
- SEE CIVIL DRAWINGS FOR LOCATIONS OF CONNECTIONS TO CATCH BASINS AND STORM DRAIN DRAINAGE.
- REFER TO SECTIONS 31200 AND 31600 FOR SPECIFICATIONS, REQUIREMENTS OF UNDER SLAB WEIRBARS AND INSULATION.
- SEE 01201 FOR FOUNDATION DRAIN CLEANOUT DETAIL.

Issue	Date & Issue Description	By	Check
01	01/27/09	DR	DR
02	10/26/09	DR	DR
	ISSUED FOR PERMIT		

HALEY & ALDRICH ASSOCIATES, INC.
25 Washington Avenue
Portland, ME 04101-5617
Telephone 207/482-6659
Facsimile 207/482-6699

Gensler
2020 L Street, NW
Suite 800
Washington, DC 20036
Telephone 202/771-5200
Facsimile 202/771-5899

Portland International Jetport
1001 Westbrook Street
Portland, Maine 04102

S02.01.00