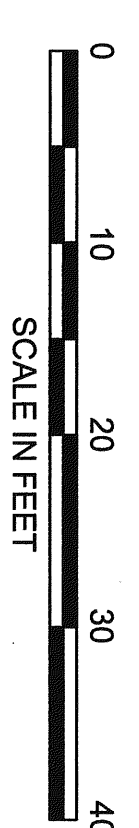
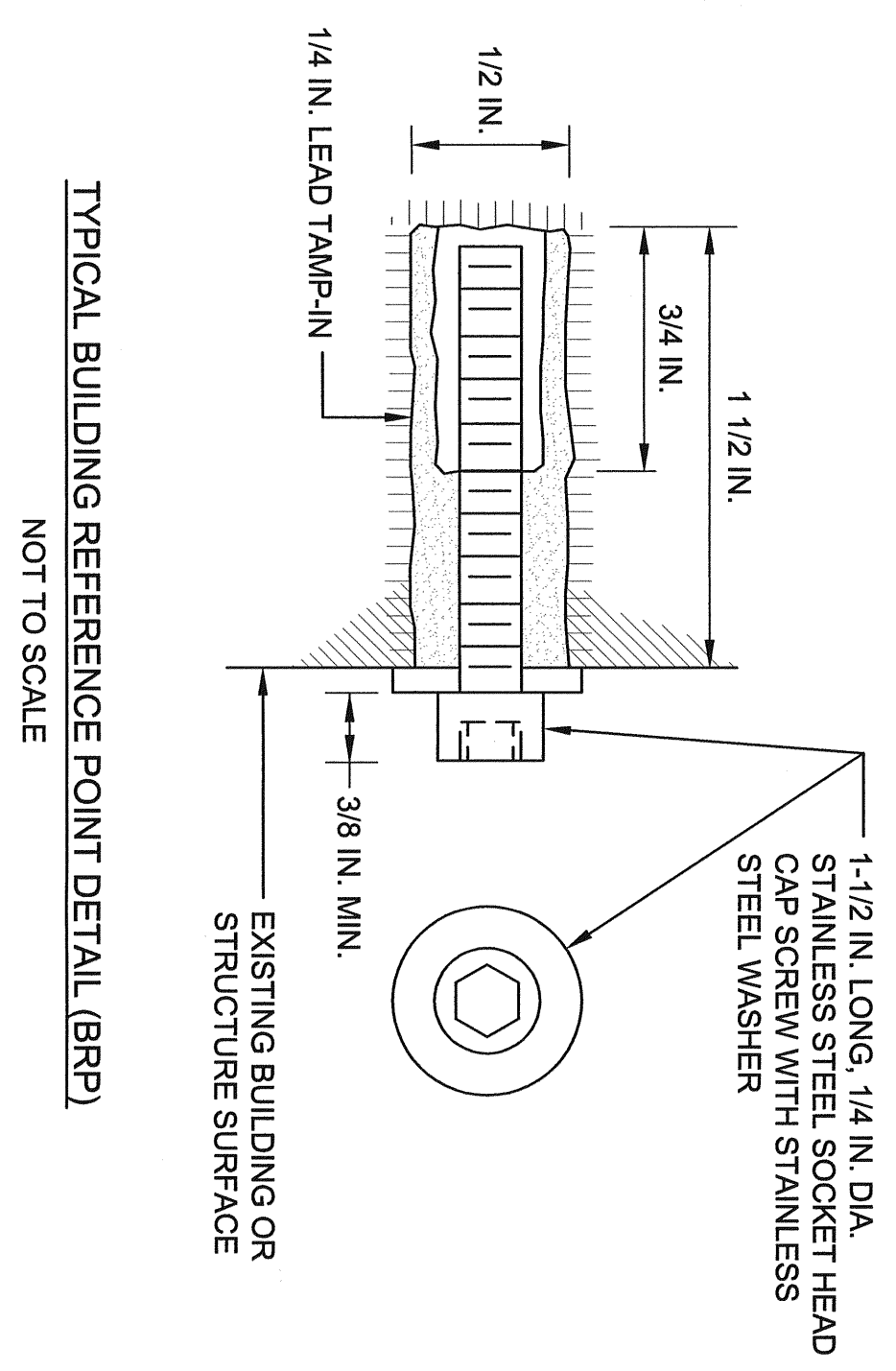


- LEGEND:**
- ▲ APPROXIMATE LOCATION OF PROPOSED BUILDING REFERENCE POINT (INSTALLED BY ENGINEER)

- GENERAL NOTES:**
1. GEOTECHNICAL ENGINEER WILL FURNISH, INSTALL AND MONITOR BUILDING REFERENCE POINTS DURING CONSTRUCTION.
 2. CONTRACTOR SHALL EXERCISE CAUTION AND PREVENT DAMAGE TO BUILDING REFERENCE POINTS.
 3. SEE SPECIFICATION SECTION 310913 FOR PERFORMANCE CRITERIA (MOVEMENT THRESHOLD/LIMITING VALUES).
 4. CONTRACTOR SHALL NOTIFY GEOTECHNICAL ENGINEER IF ANY BUILDING REFERENCE POINTS ARE DAMAGED OR ELEMENT TO BE REMOVED. DAMAGED BUILDING REFERENCE POINTS SHALL BE REPLACED BY THE CONTRACTOR AT NO ADDITIONAL COST TO THE OWNER AT LOCATIONS APPROVED BY THE GEOTECHNICAL ENGINEER. BUILDING REFERENCE POINTS WERE FOUND TO BE DAMAGED.

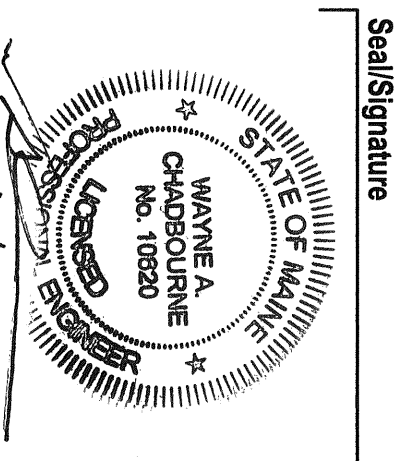


Portland International Jetport
 1001 Westbrook Street
 Portland, Maine 04102

Gensler
 2020 K Street, Northwest
 Suite 200
 Washington, DC 20006
 Tel: 202.462.4600
 Fax: 202.672.8597

HALEY & ADRICH
 75 WASHINGTON AVENUE
 SUITE 200
 PORTLAND, ME 04101
 TEL: 207.488.4600
 FAX: 207.775.7888

Issue	Date & Issue Description	By	Check
01	ORIGIN	DTE	AS
02	CONSTRUCTION OCCURRENCE	DTE	AS
03	ISSUED FOR PERMIT	DTE	AS



Project Name: FMM Terminal Enhancement
Project Number: 06.6555.000

Description: GEOTECHNICAL INSTRUMENTATION PLAN
Scale: AS SHOWN

GT00.01
 © 2008 Gensler

