

SHEET NOTES

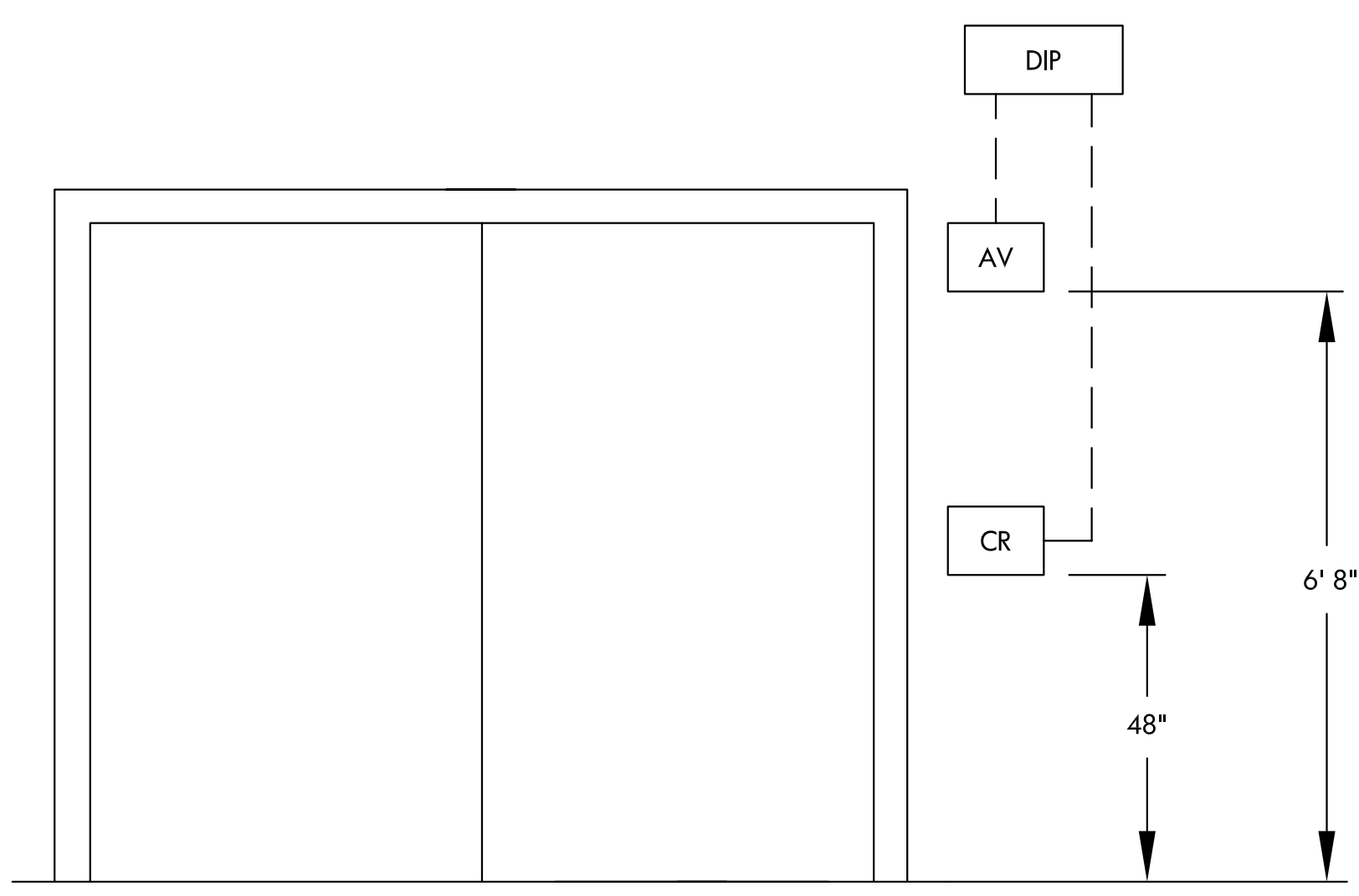
Portland International  
Jetport  
1001 Westbrook Street  
Portland, Maine 04102

2020 K Street, Northwest  
Suite 200  
Washington, DC 20006  
Telephone: 202.721.5200  
Facsimile: 202.872.8587

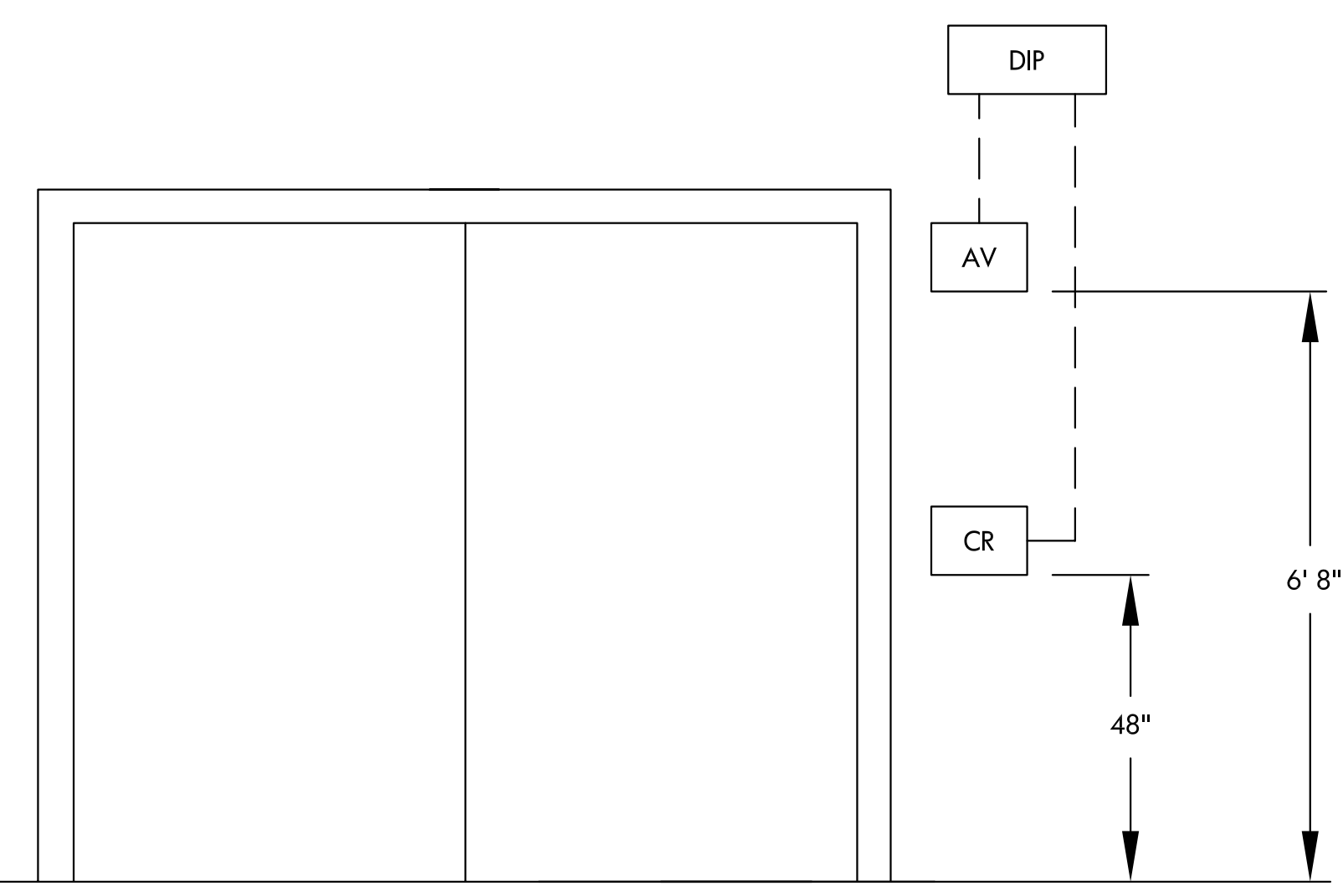
**Gensler**

**ARORA**  
Solutions for Secure  
Environments

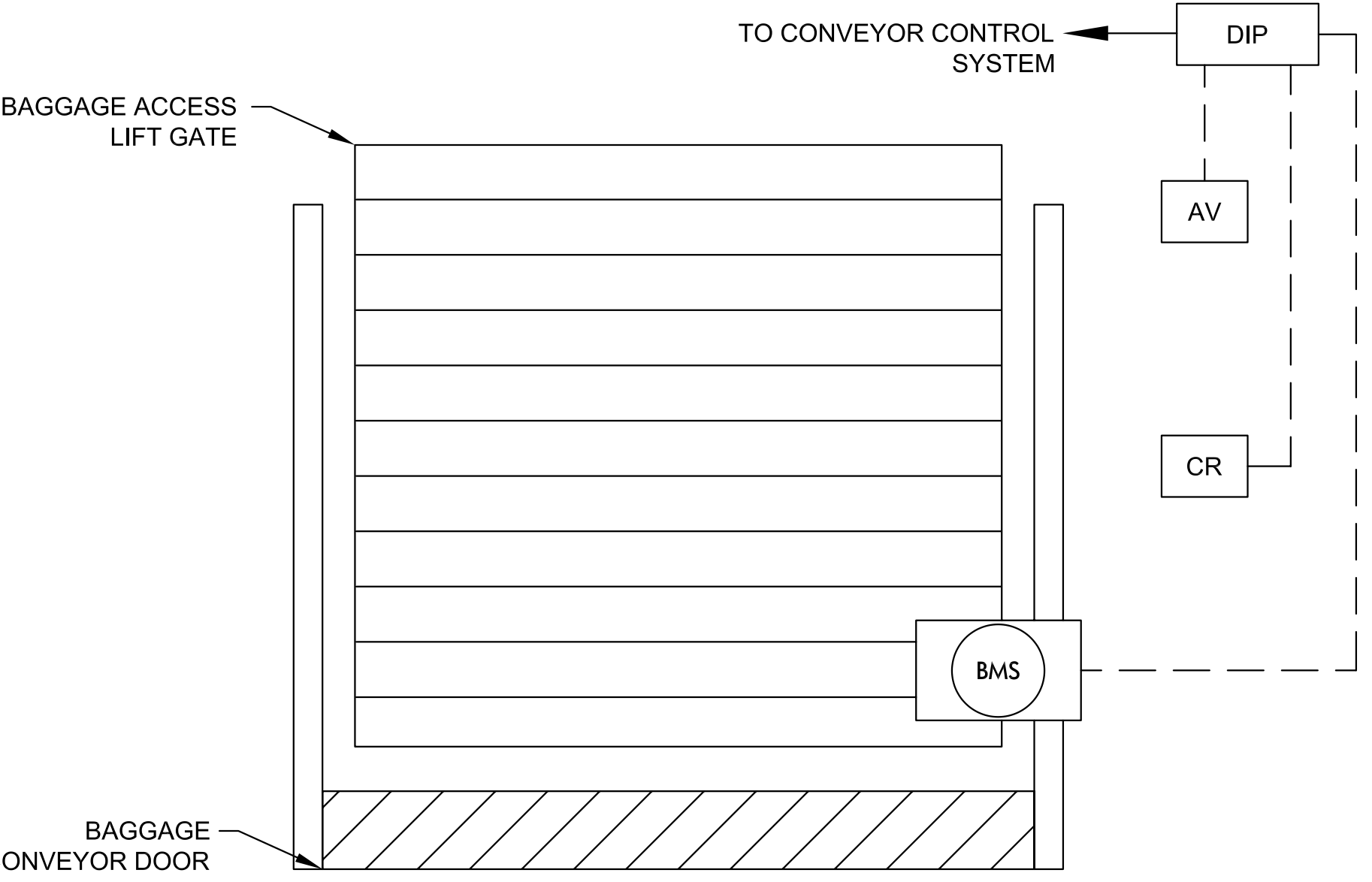
**Arora Engineers, Inc.**  
61 Wilmington - West Chester  
Pike  
Suite # 100  
Chadds Ford, PA 19317  
Tel: (610) 459-7900  
Fax: (610) 459-7950



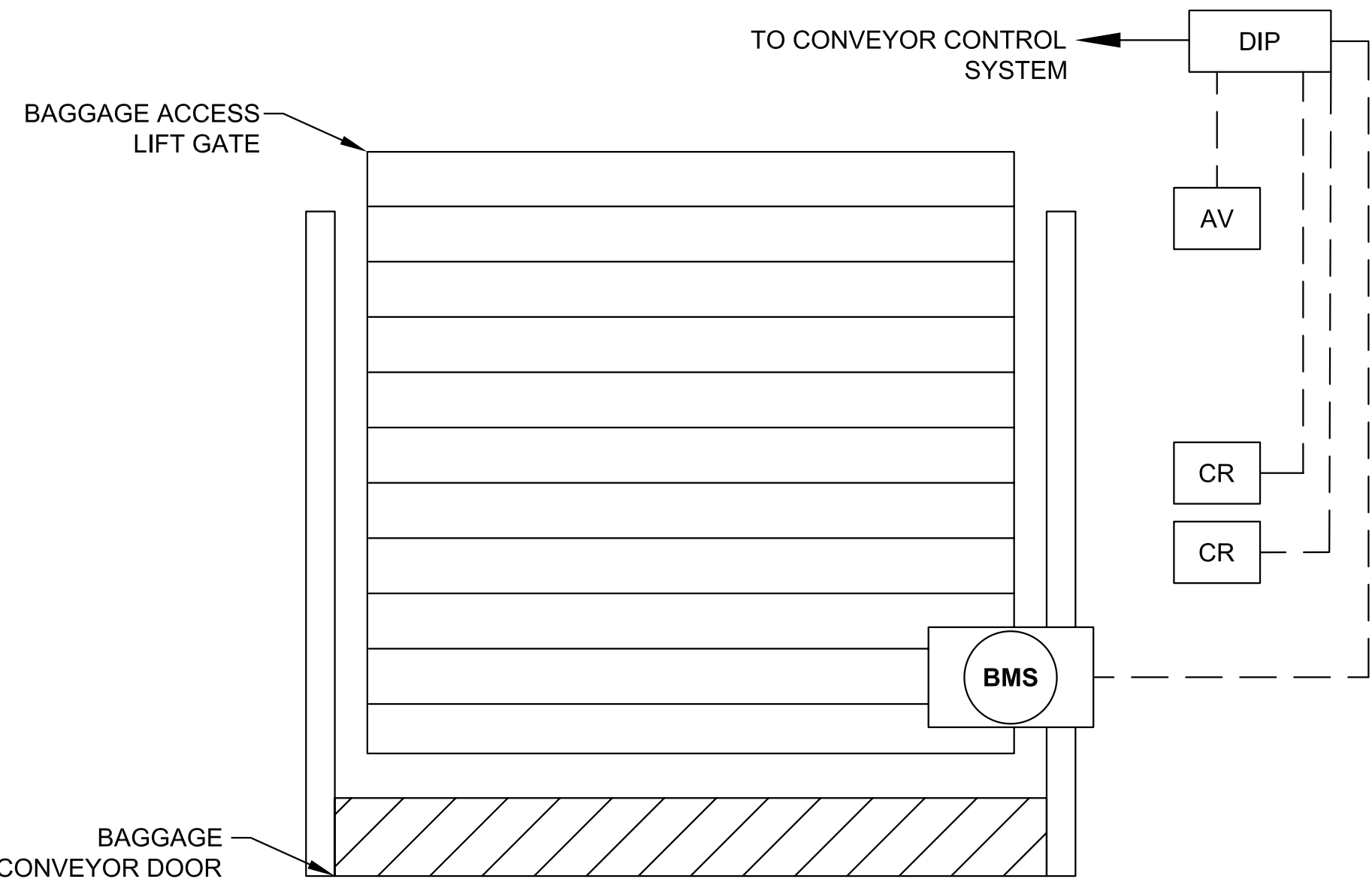
**1** SLIDING GLASS DOORS W/ TWO CRs  
SS12.01 NTS



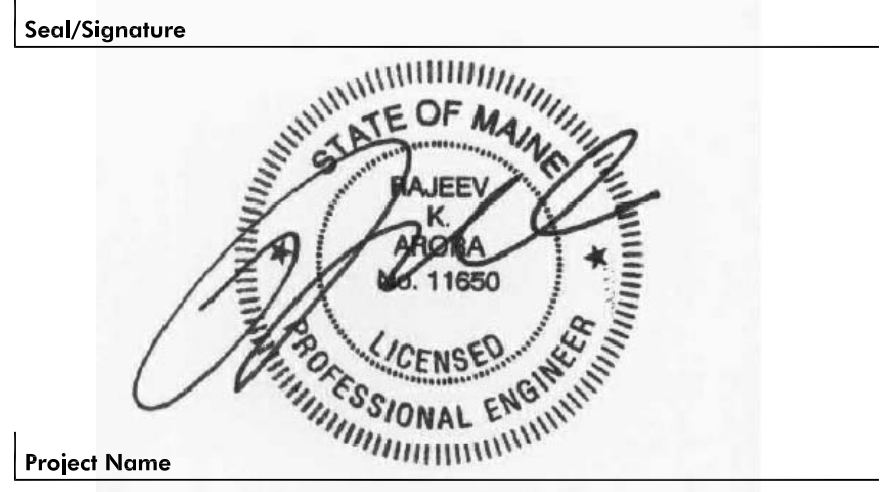
**2** TYPICAL BAGGAGE GATE  
SS12.01 NTS



**3** TYPICAL BAGGAGE GATE  
SS12.01 NTS



Issue	Date & Issue Description	By	Check
	10/26/09		
	100% ISSUED FOR PERMIT		



Project Name  
PJM TERMINAL EXPANSION

Project Number

CAD File Name  
SS12.01

Description  
SECURITY & SURVEILLANCE  
SECURITY DOOR INSTALLATION DETAILS - SHEET 2

Scale  
As Indicated

**SS12.01**  
© 2006 Gensler