

SHOWER BASE

WALL MOUNTED SHOWER SYSTEM

SINGLE BOWL SINK

MANUAL FAUCETS

CLEANOUT W/ ROUND WALL ACCESS COVER

A - PIPE SIZE	B	C	D	F
2"	6 3/8"	3 3/16"	1 3/4"	5"
3"	7 3/4"	3 7/8"	2 1/2"	5"
4"	8 7/8"	4 7/16"	3"	7"
5"	-	-	-	-
6"	12 1/2"	6 1/4"	4 5/16"	9"
8"	-	-	-	-

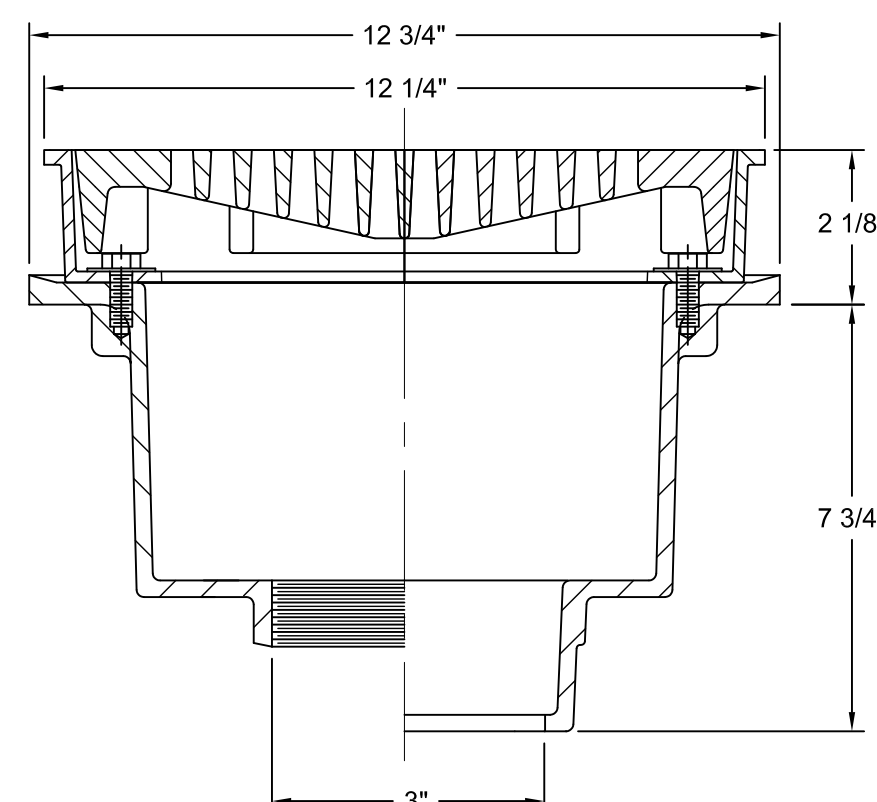
NH NO HUB

**DETAIL - P-7**  
SCALE: NOT TO SCALE **1**

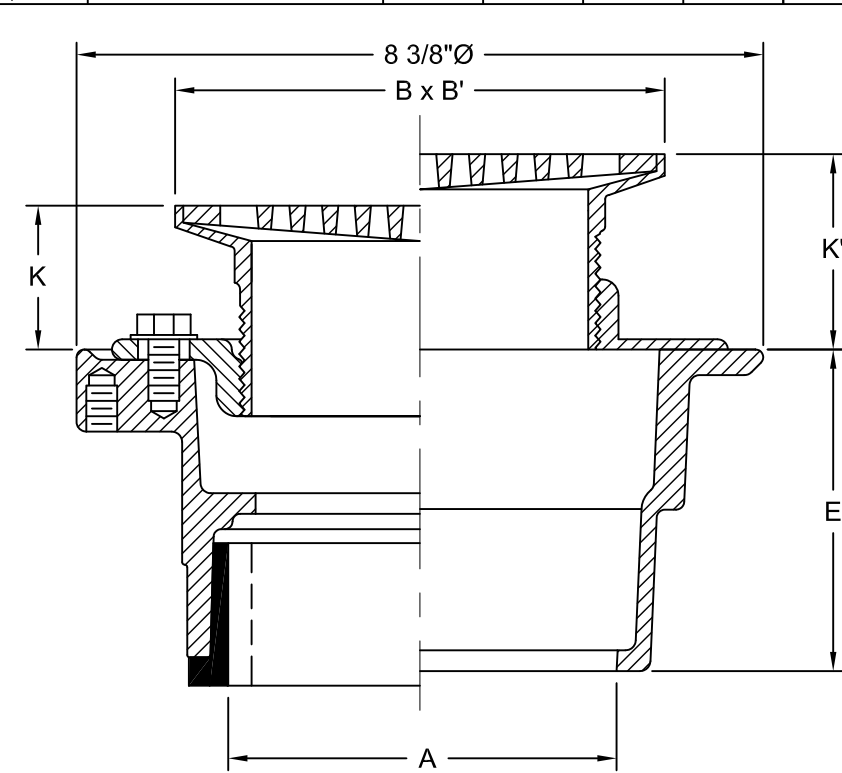
**DETAIL - P-8**  
SCALE: NOT TO SCALE **2**

**DETAIL - WCO**  
SCALE: NOT TO SCALE **3**

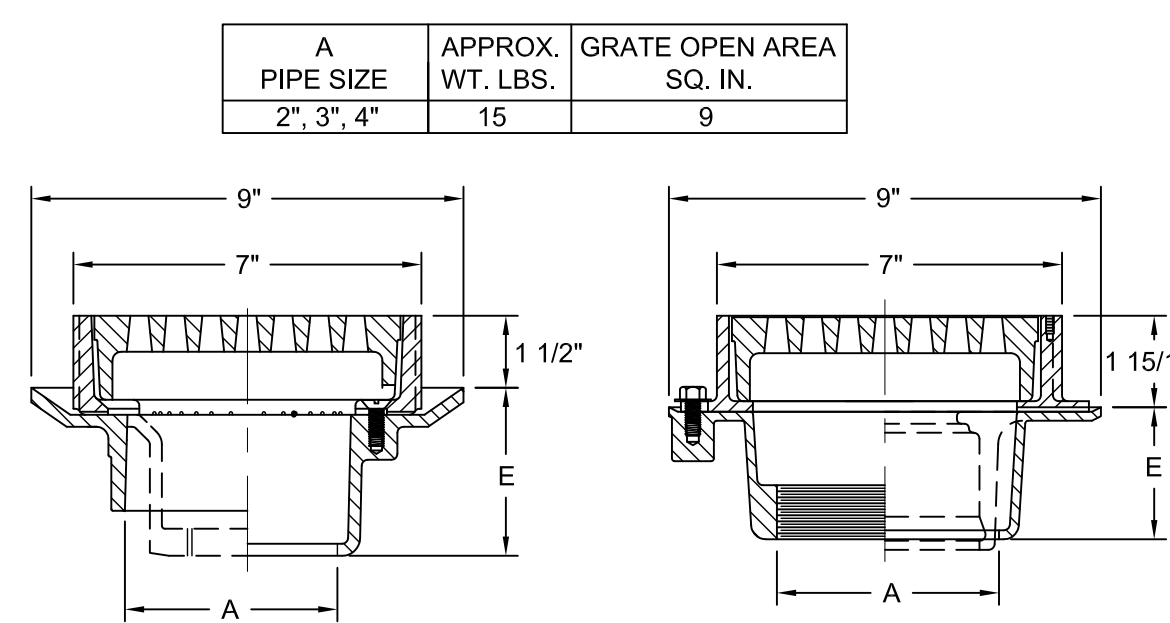
STRAINER DESIGNATION	PIPE SIZE	B x B" STRAINER TOP SIZE		K		STRAINER OPEN AREA SQ. IN.
		MIN.	MAX.	MIN.	MAX.	
FD-2	2", 3", 4"	6" x 6"	1"	1 7/8"	1 5/8"	13
FD-4	3", 4"	8" x 8"	1 1/4"	2 5/8"	2"	24 1/2



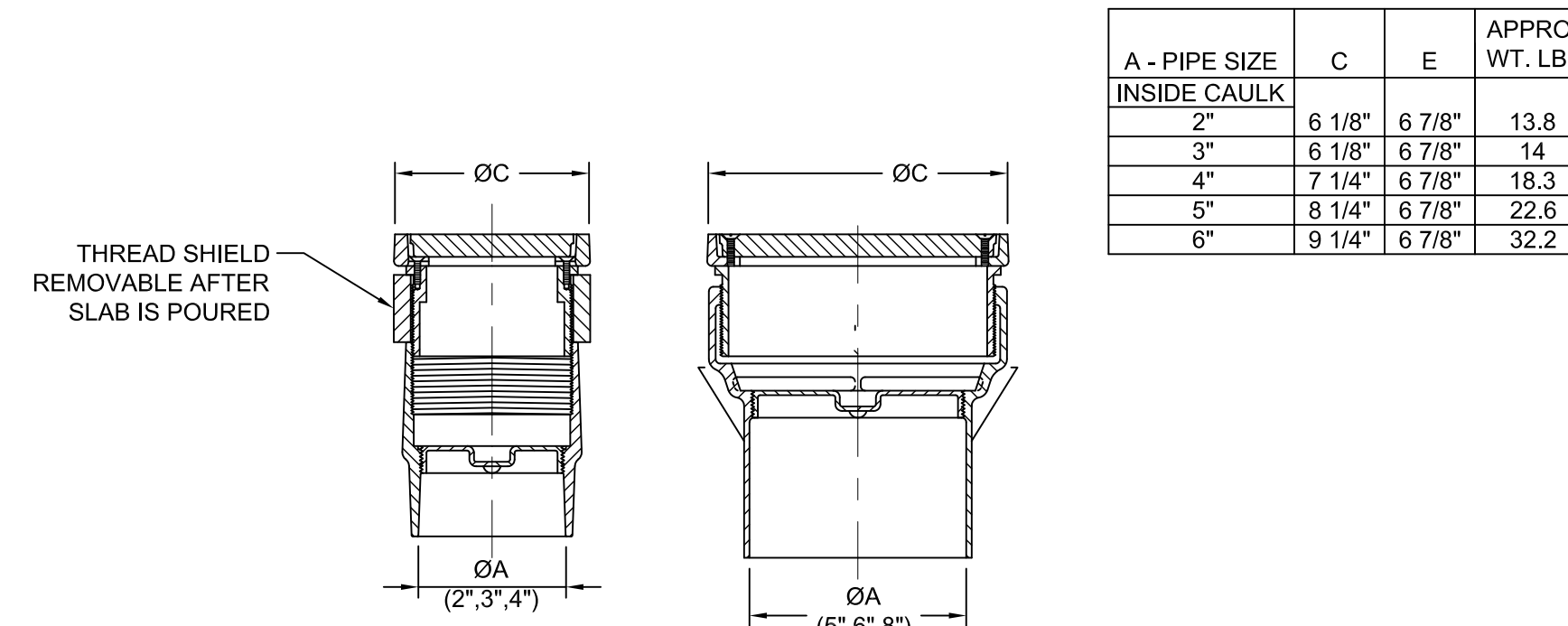
HEAVY-DUTY DRAIN W/ TRACTOR GRATE



BODY ASSEMBLY W/ "TYPE SS" STRAINER



MEDIUM DUTY DRAIN



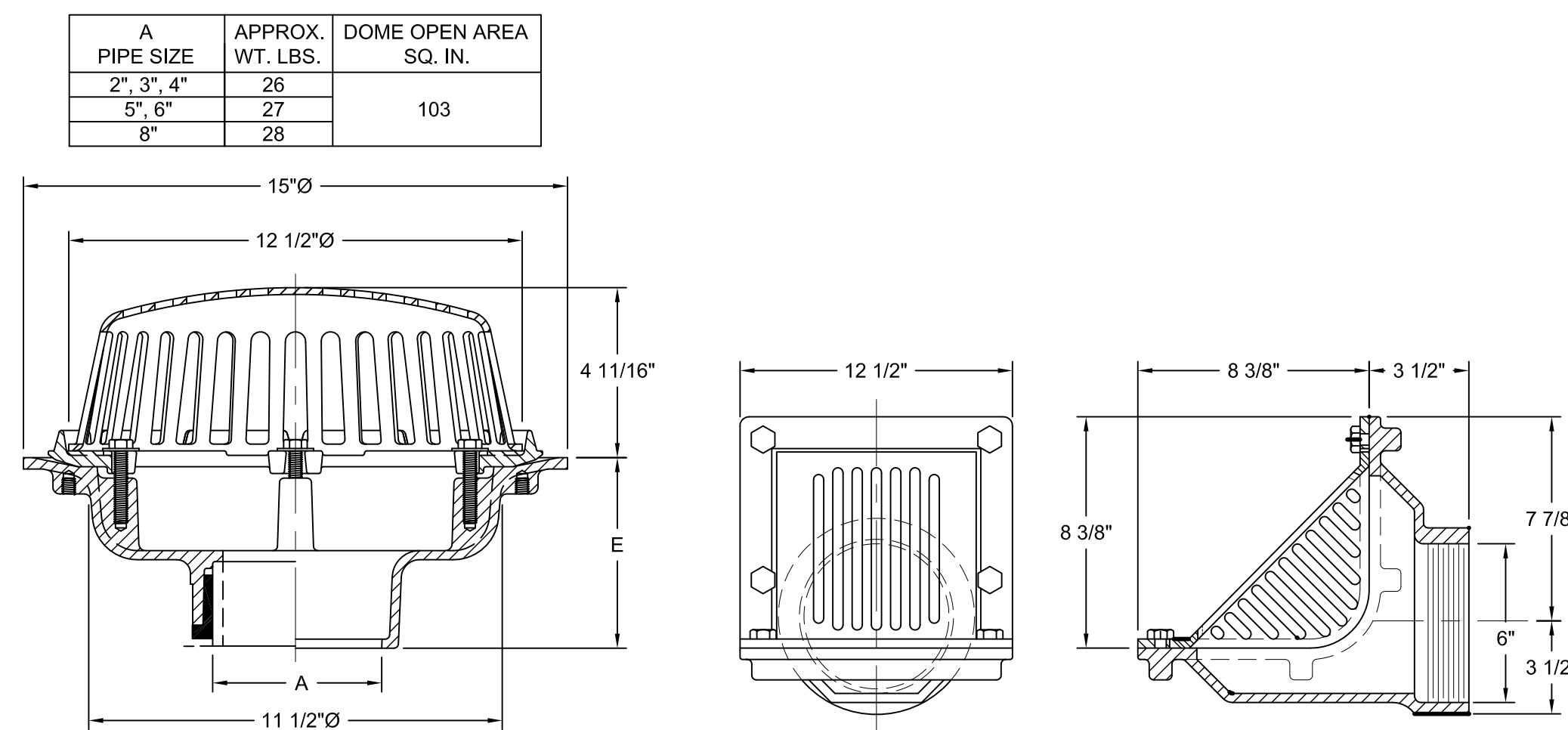
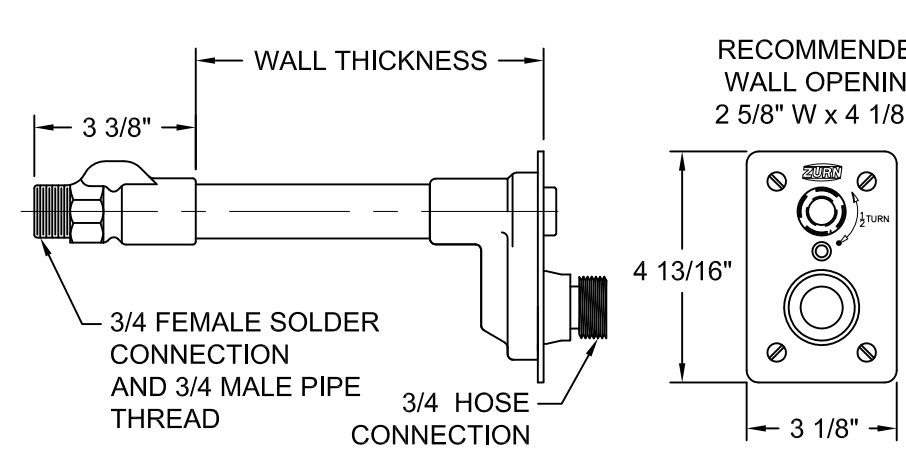
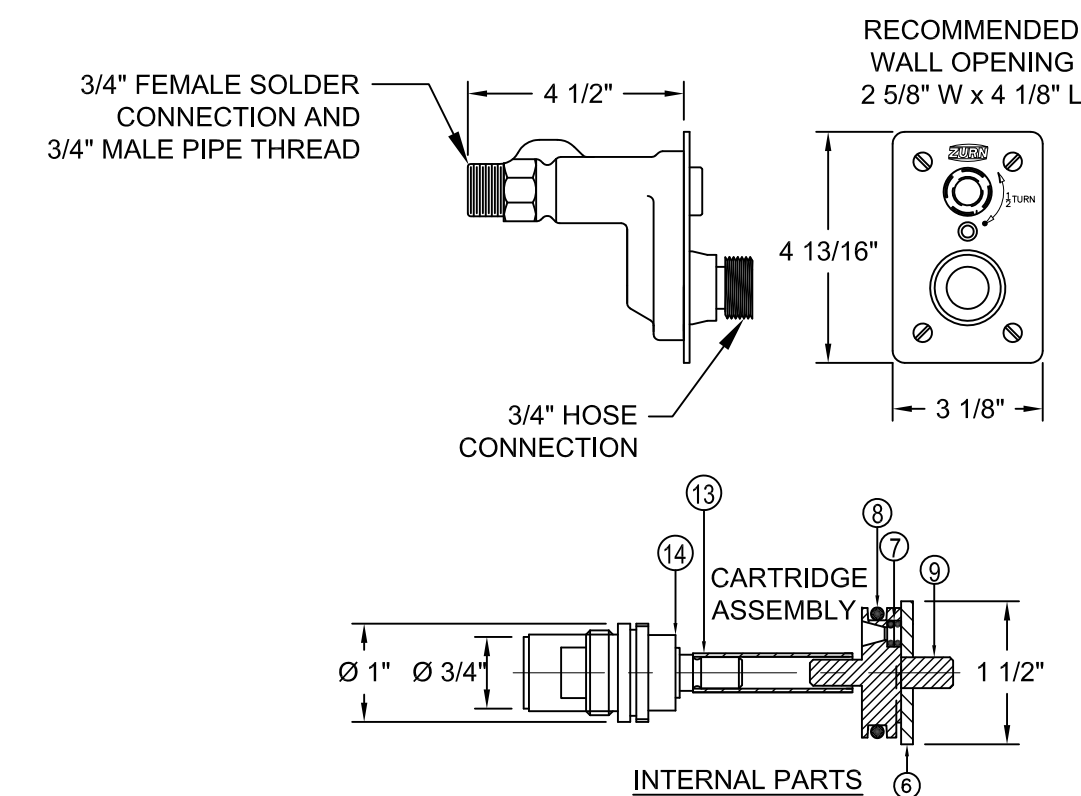
ADJUSTABLE FLOOR CLEANOUT

**DETAIL - FD-1**  
SCALE: NOT TO SCALE **4**

**DETAIL - FD-2 & FD-4**  
SCALE: NOT TO SCALE **5**

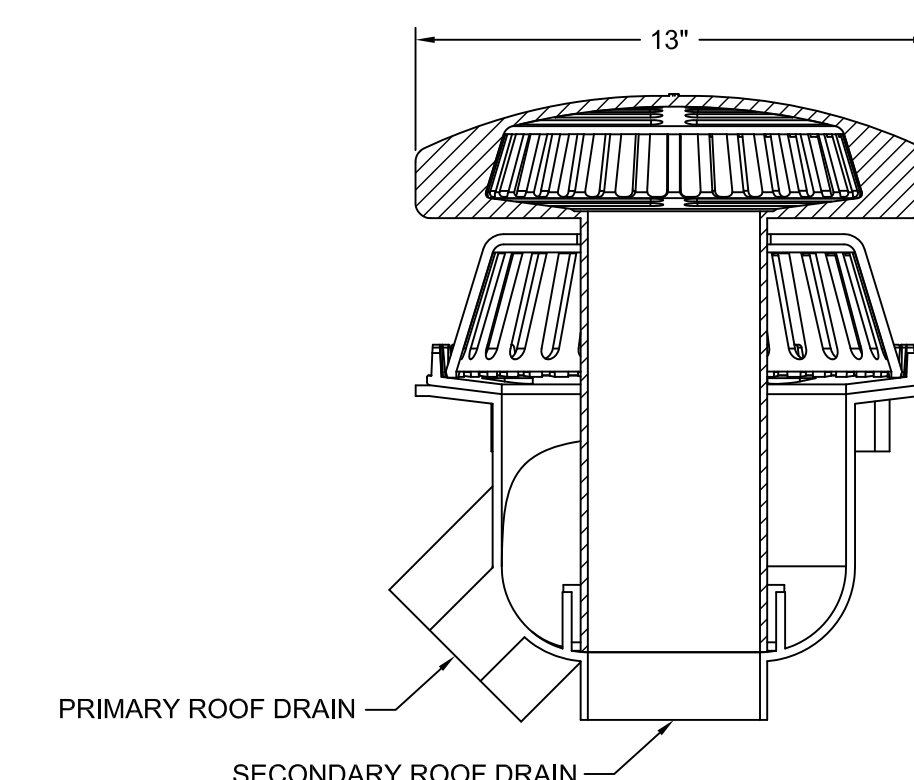
**DETAIL - FD-3**  
SCALE: NOT TO SCALE **6**

**DETAIL - FCO**  
SCALE: NOT TO SCALE **7**



MAIN ROOF DRAIN RD-1

OBLIQUE SCUPPER DRAIN RD-2



PRIMARY/SECONDARY ROOF DRAIN

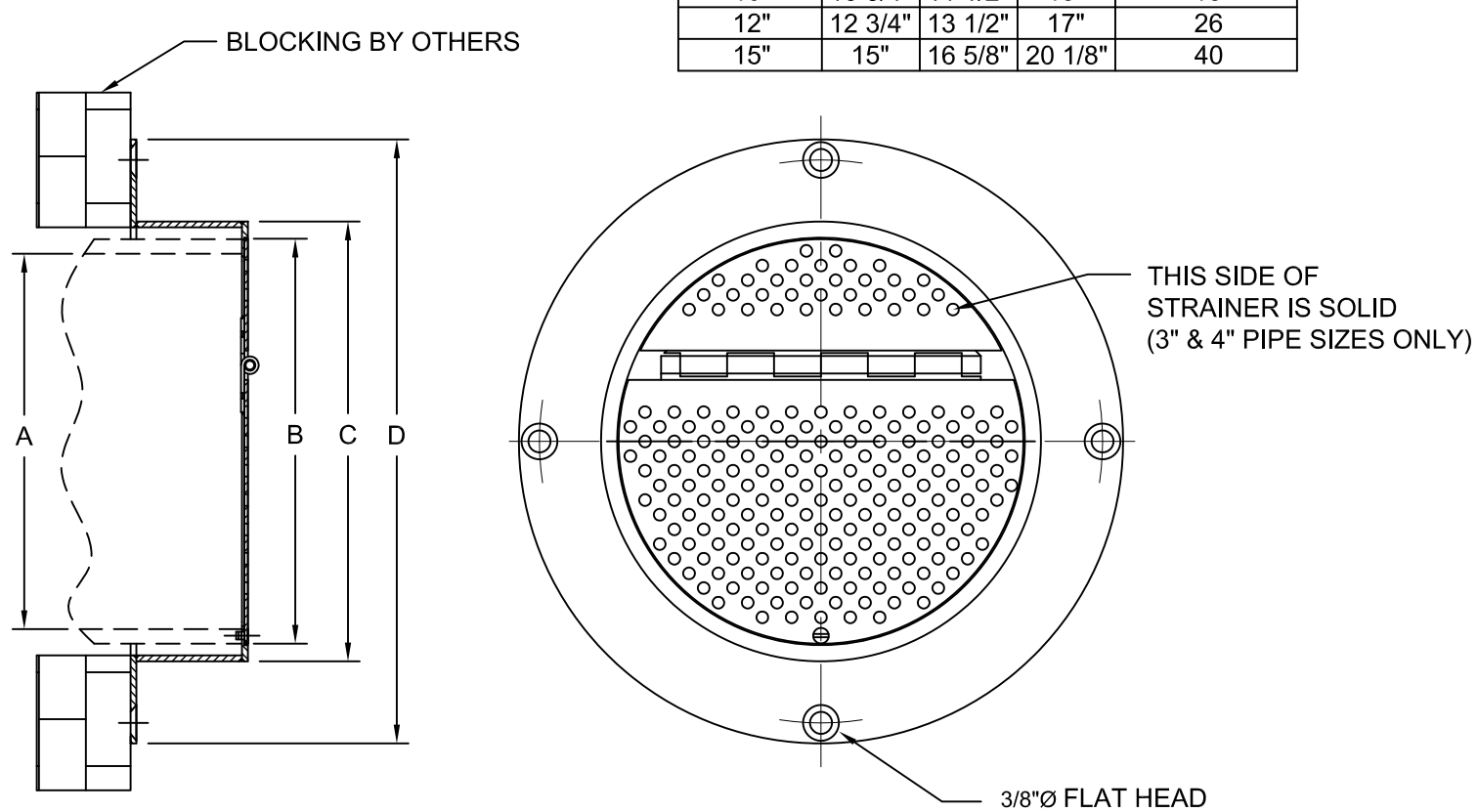
**DETAIL - HB**  
SCALE: NOT TO SCALE **8**

**DETAIL - NFHB**  
SCALE: NOT TO SCALE **9**

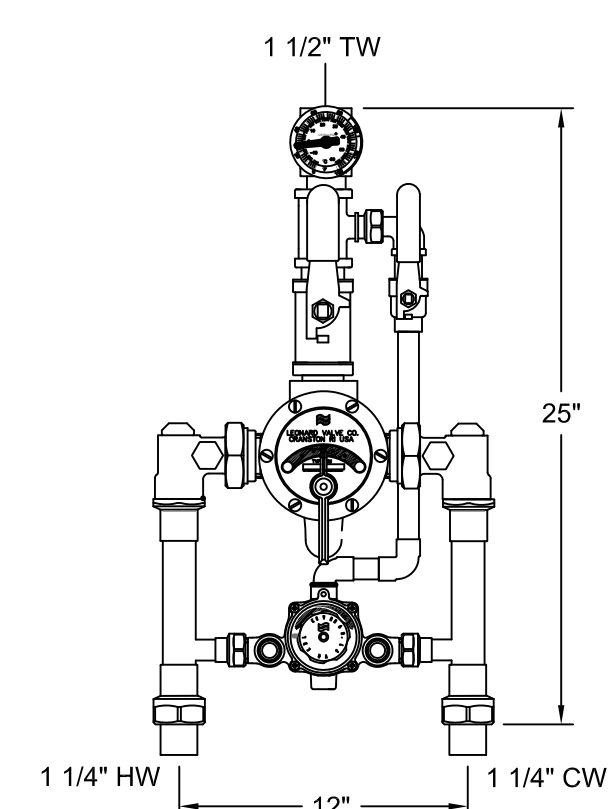
**DETAIL - RD-1 & RD-2**  
SCALE: NOT TO SCALE **10**

**DETAIL - P/S RD**  
SCALE: NOT TO SCALE **11**

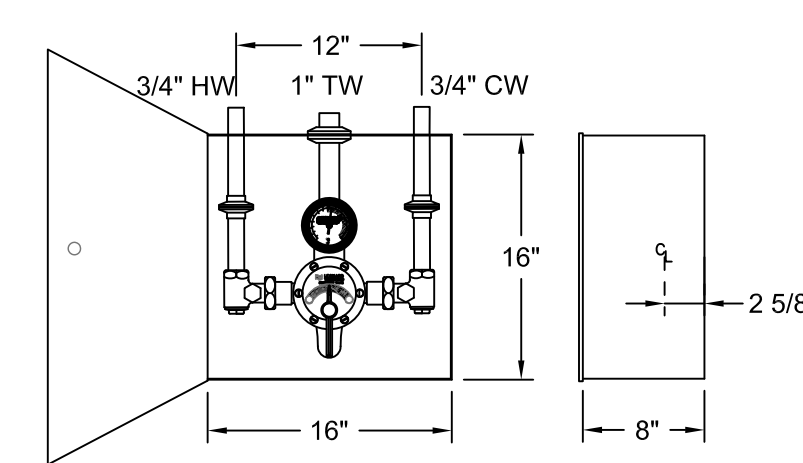
A	B	C	D	STRAINER OPEN AREA SQ. IN.
3"	3 1/2"	4 1/4"	7 3/4"	1
4"	4 1/2"	5 1/4"	8 3/4"	2
6"	6 5/8"	7 3/8"	10 7/8"	6
8"	8 5/8"	9 3/8"	12 7/8"	10
10"	10 3/4"	11 1/2"	15"	18
12"	12 3/4"	13 1/2"	17"	26
15"	15"	16 5/8"	20 1/8"	40



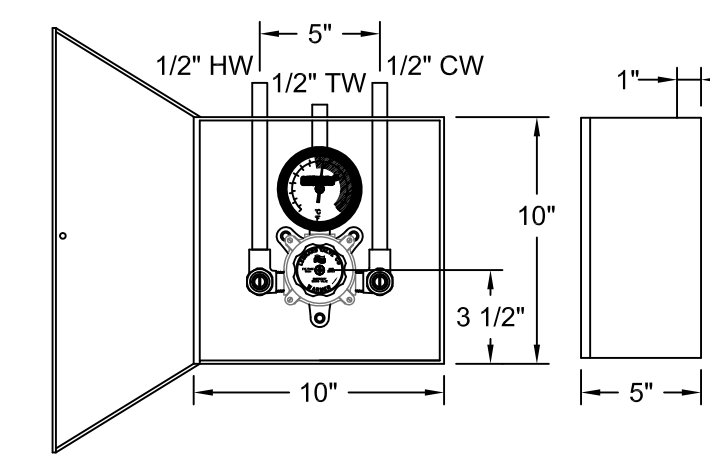
DOWNSPOUT COVER



HIGH LOW SYSTEM



EMERGENCY MIXING VALVES



EMERGENCY MIXING VALVES

**DETAIL - DC**  
SCALE: NOT TO SCALE **12**

**DETAIL - TV-1**  
SCALE: NOT TO SCALE **13**

**DETAIL - TV-2**  
SCALE: NOT TO SCALE **14**

**DETAIL - TV-3**  
SCALE: NOT TO SCALE **15**

SHEET NOTES

GENERAL NOTES

A SEE SHEET P00.00 FOR LEGEND AND GENERAL NOTES.

Portland International Jetport  
1001 Westbrook Street  
Portland, Maine 04102

Gensler

2020 K Street, NW  
Suite 200  
Washington, DC 20006  
Telephone 202.721.5200  
Facsimile 202.872.8587

oest ASSOCIATES, INC.  
360 Graham Road, South Portland, ME 04106 P (207) 741-1700 F (207) 774-2461 www.oest.com  
engineers • architects • surveyors • construction managers

Issue	Date & Issue Description	By	Check
01	12/03/08	KLM	JS
02	01/23/09	CM	JS
02	10/26/09	PWZ	JS

Project Name  
PJM Terminal Enhancement

Project Number  
09-6395-000

CAD File Name  
T:\5330\101\Sheets\P12.22.dwg

Description  
PLUMBING DETAILS

Scale  
NOT TO SCALE

P12.22

©2009 Gensler