

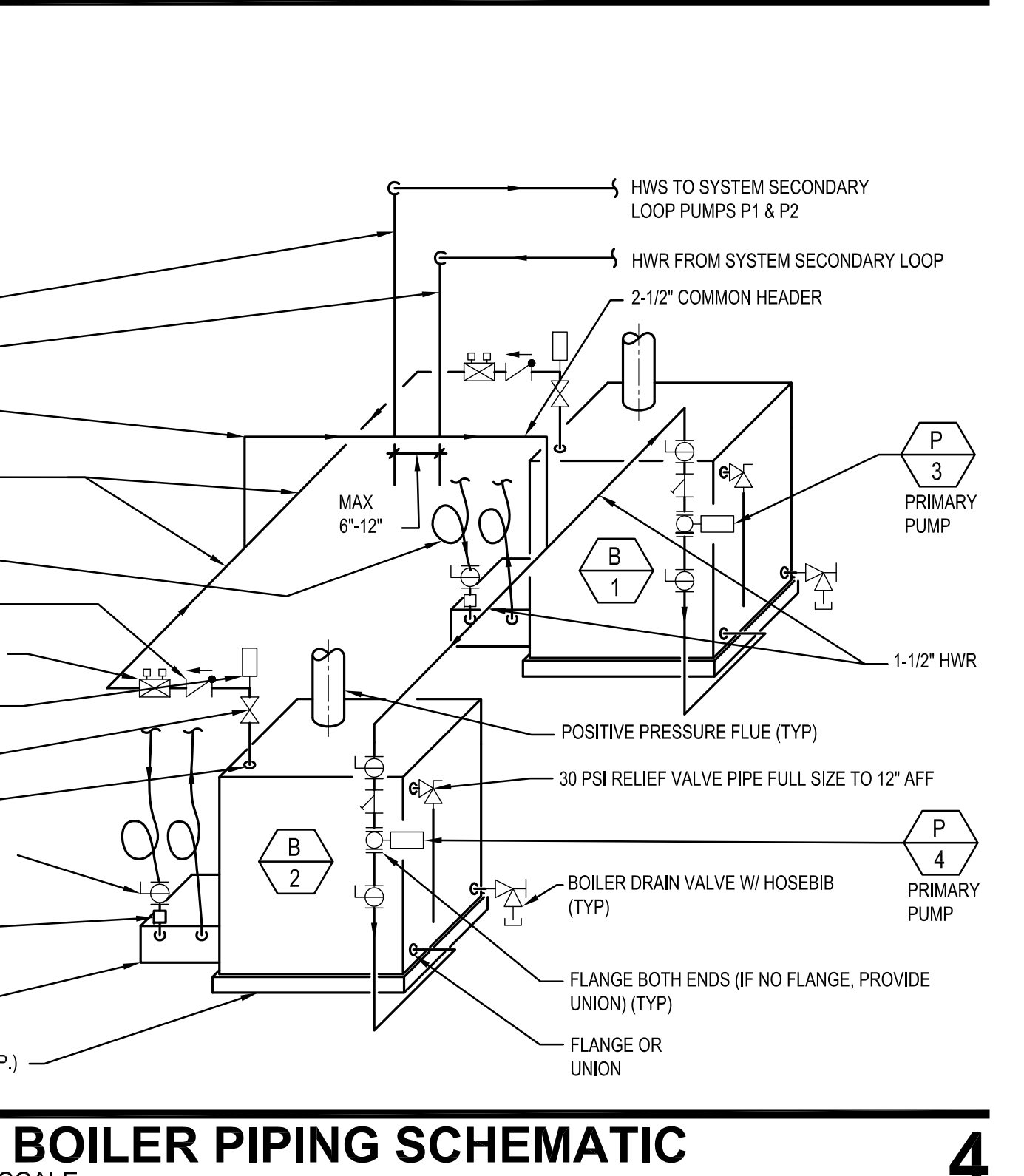
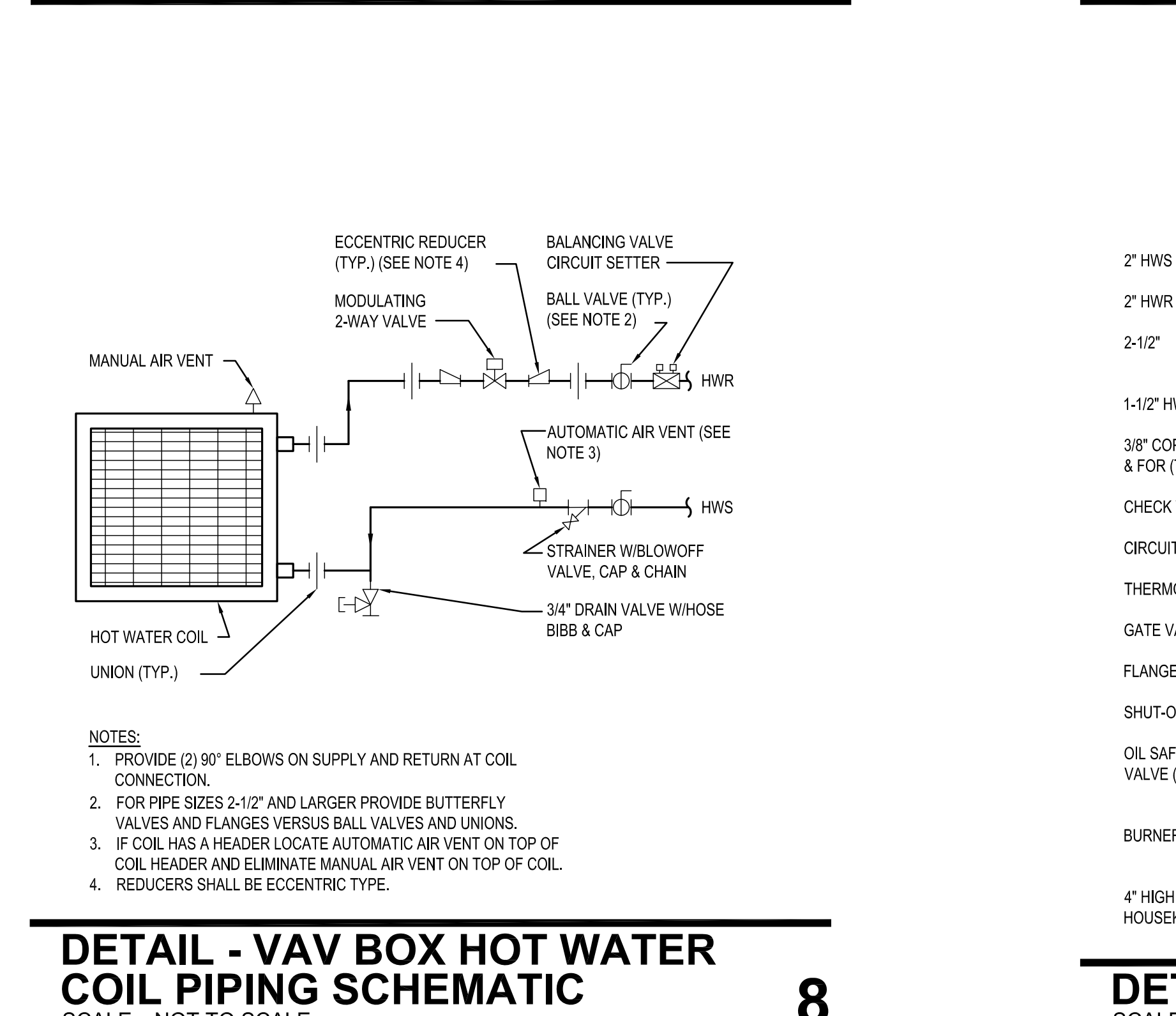
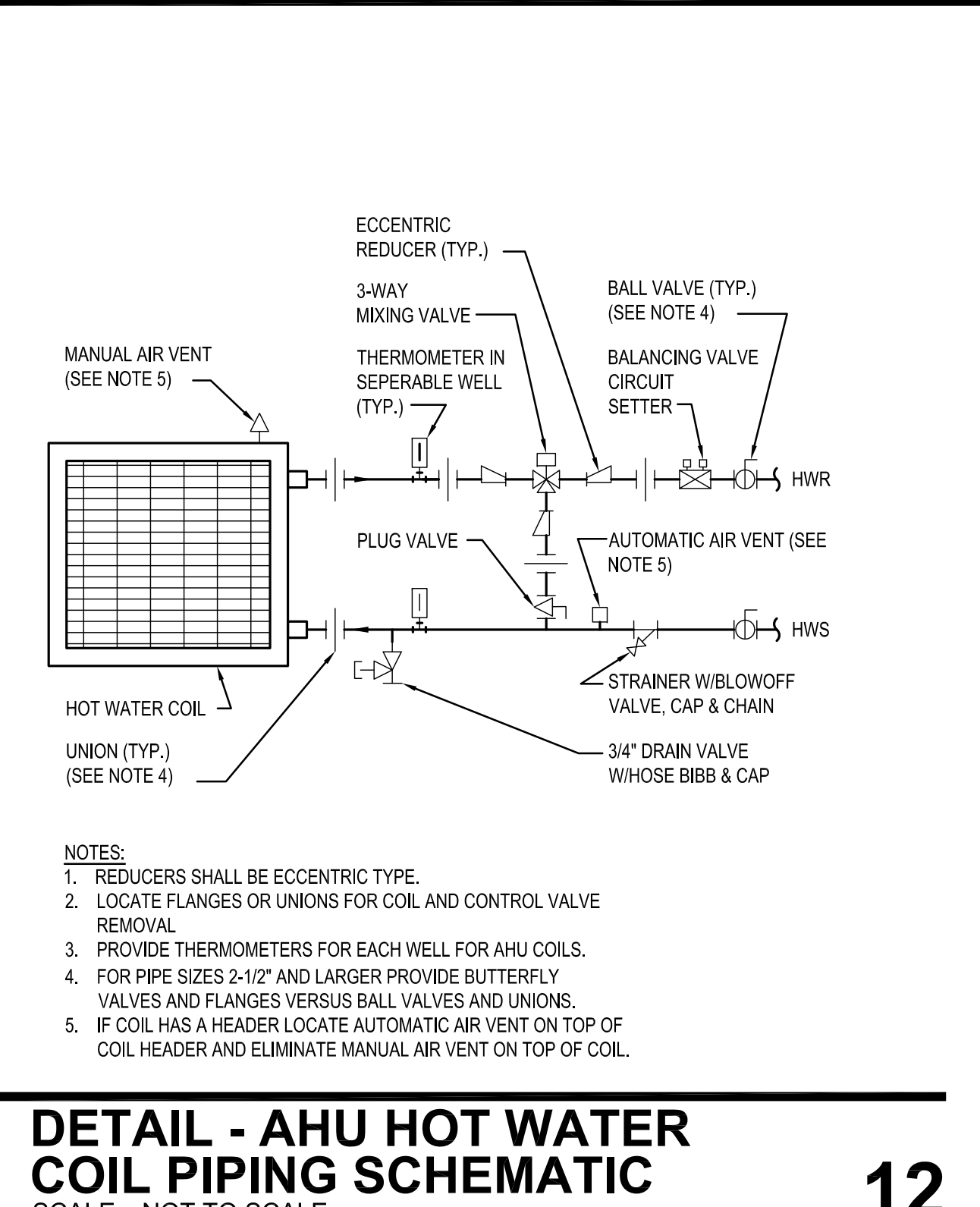
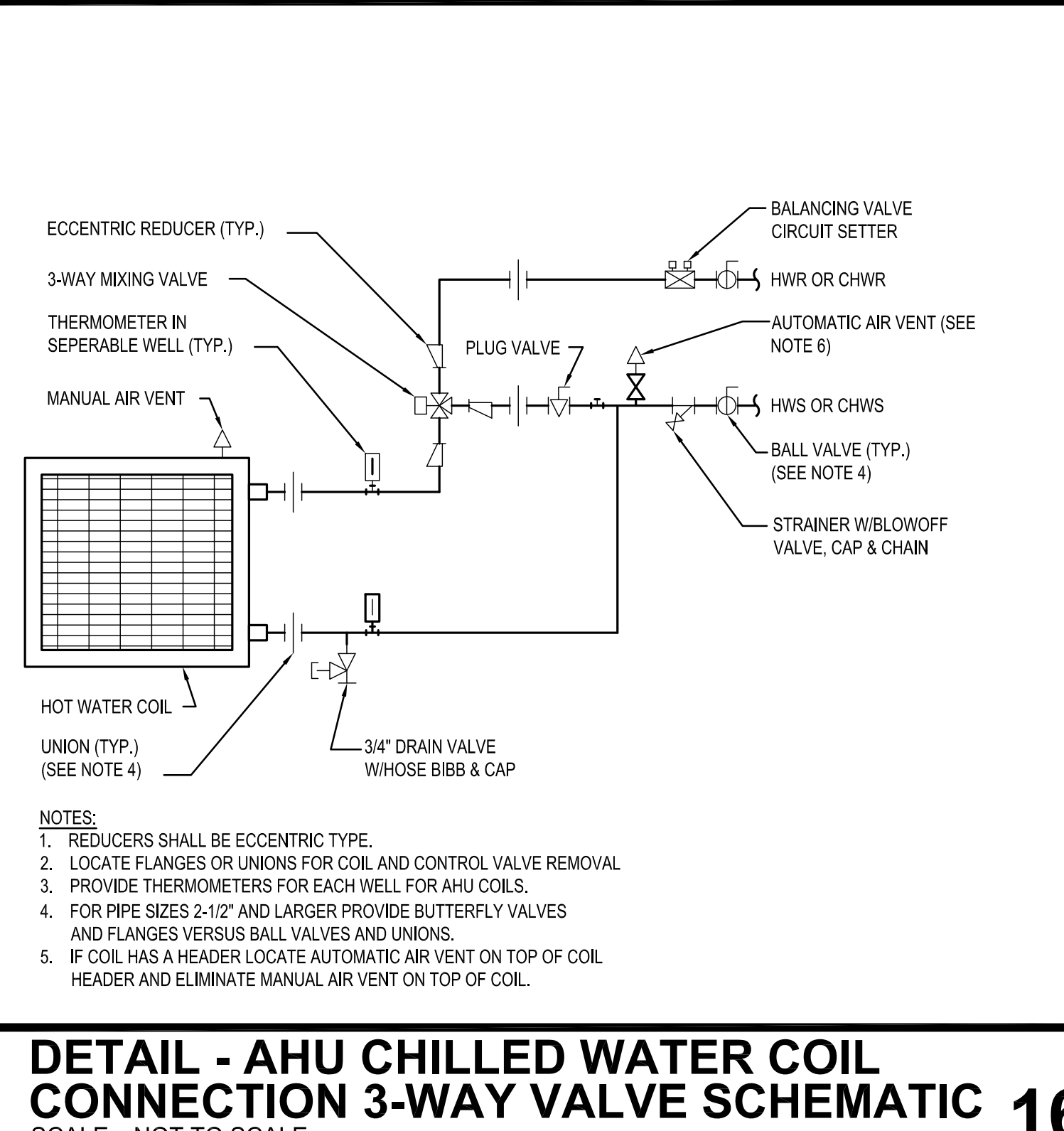
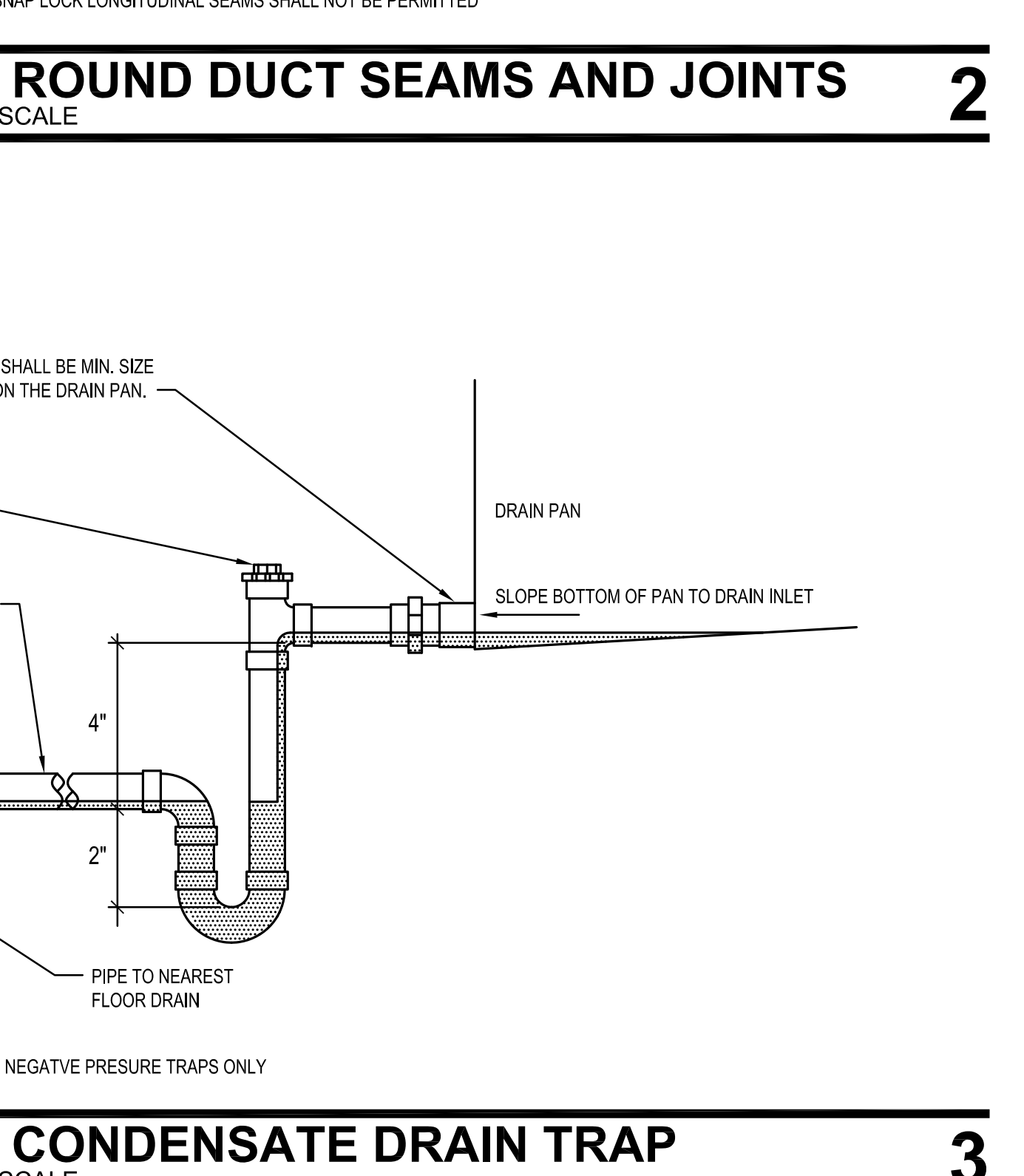
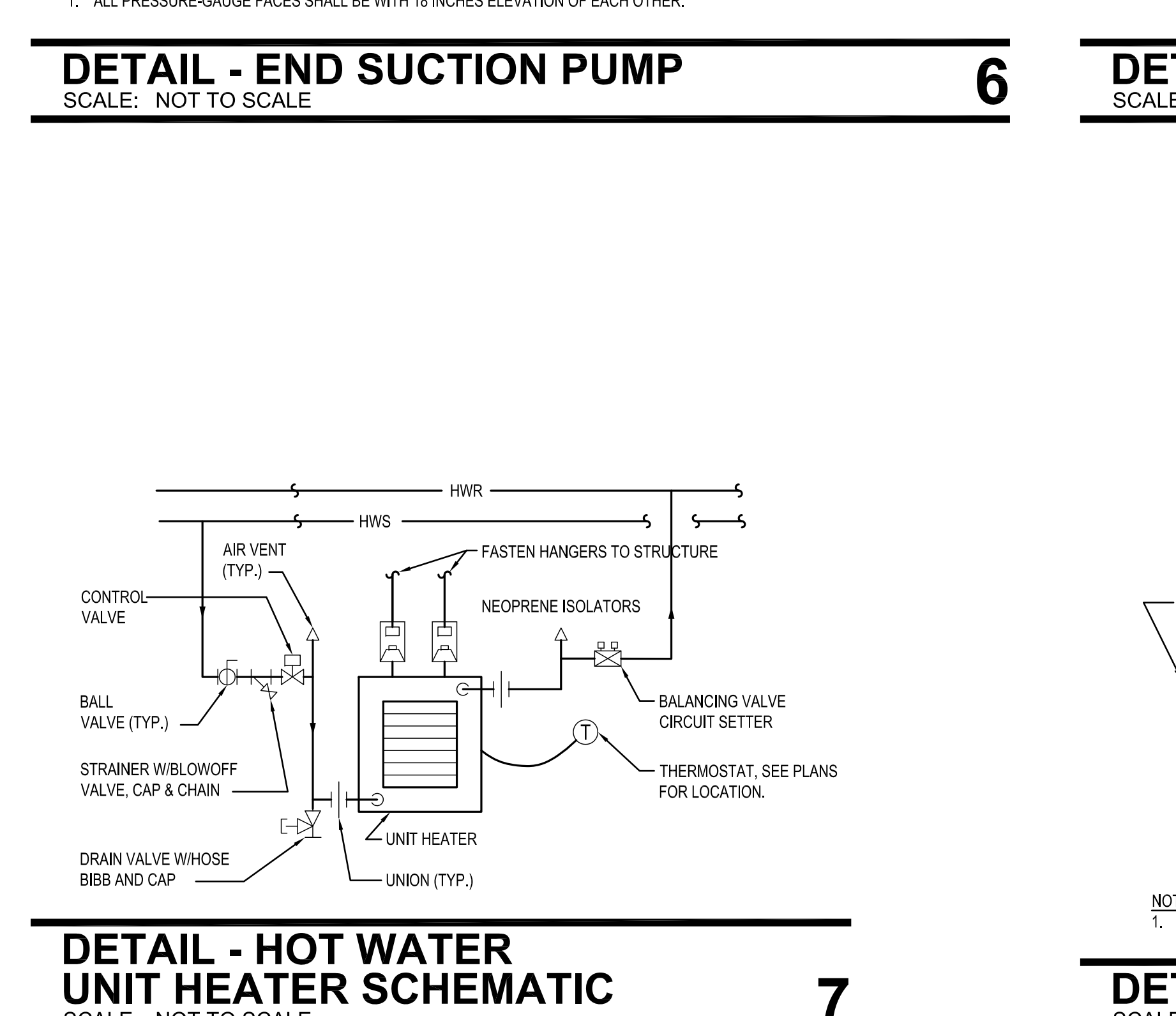
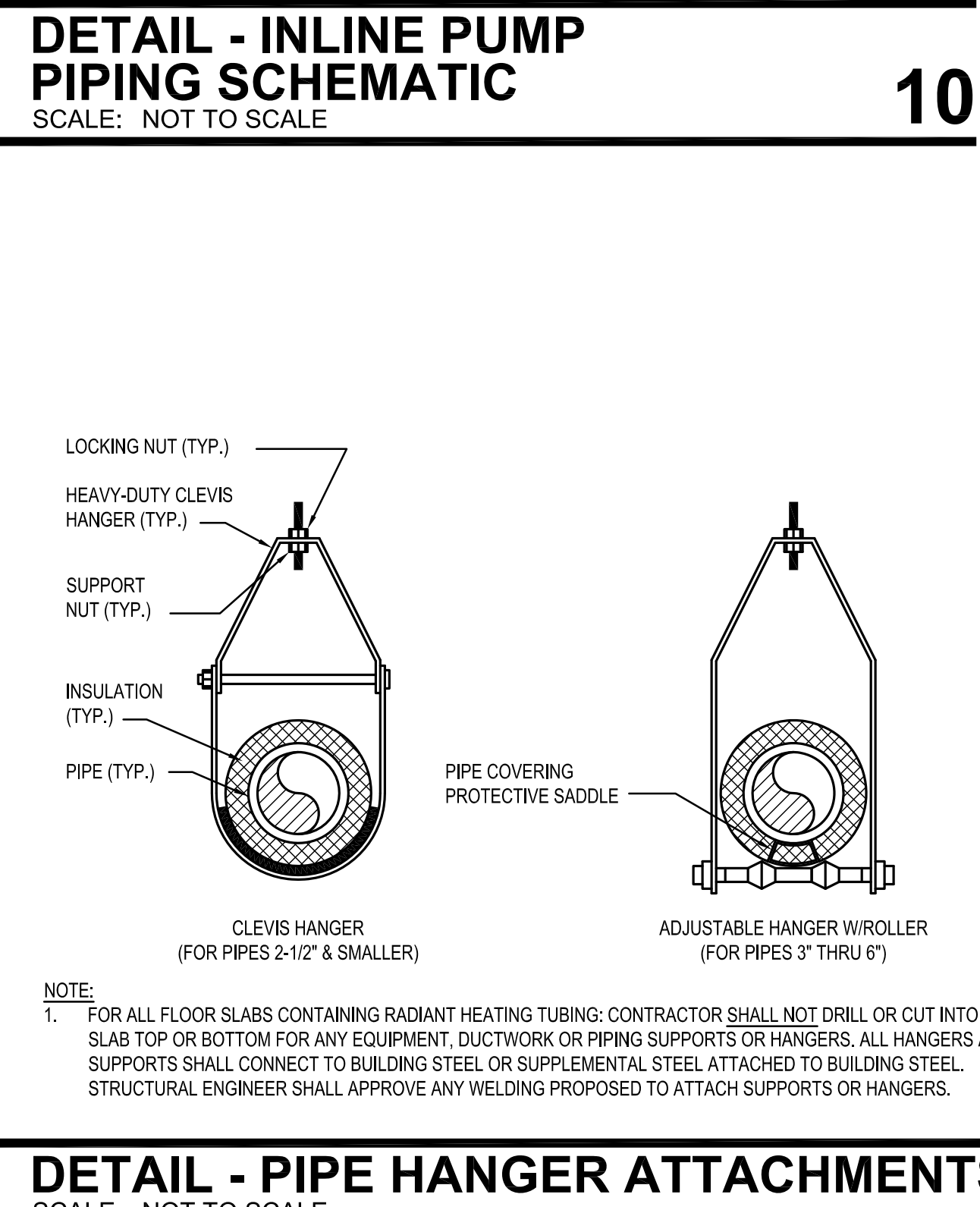
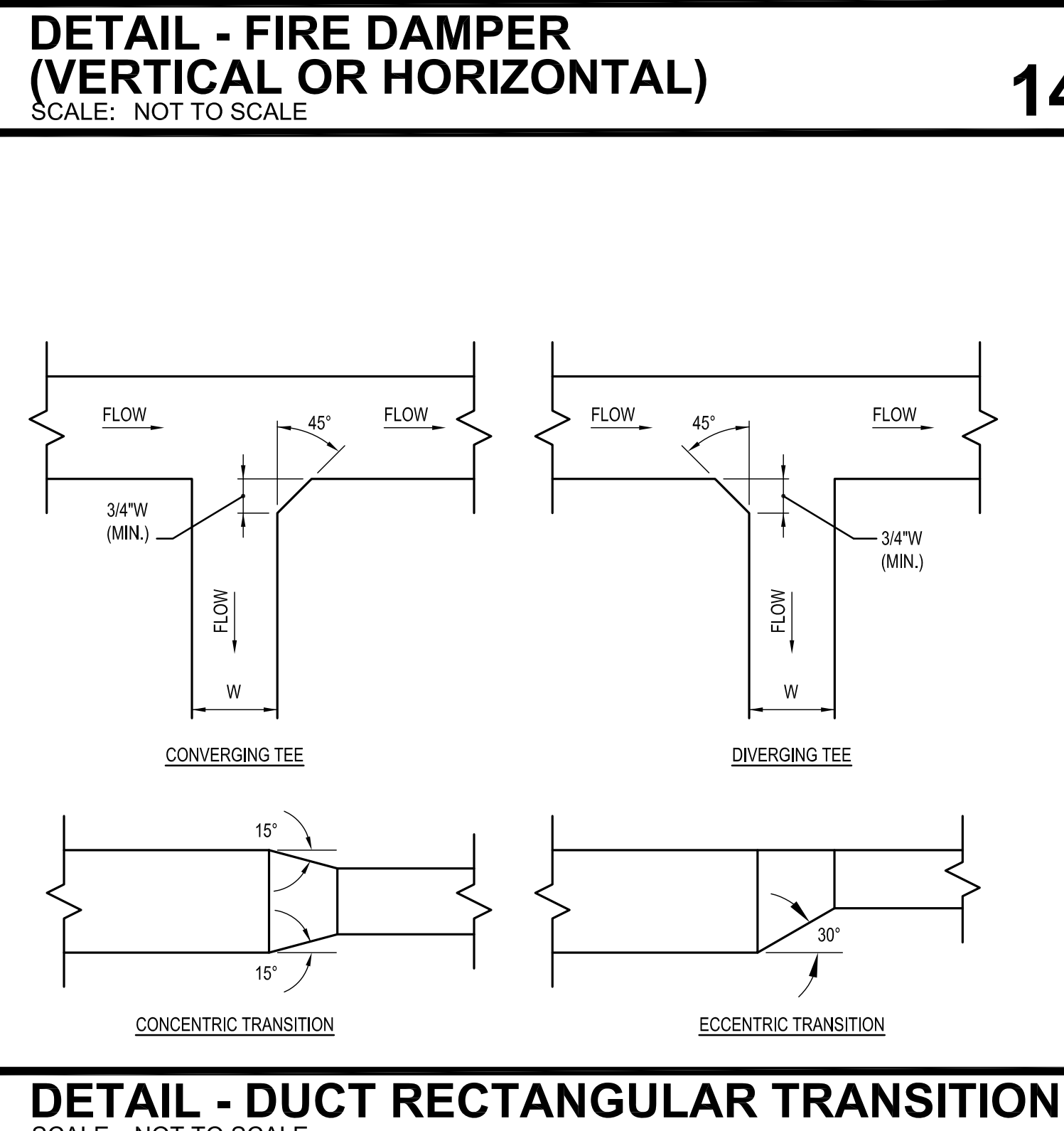
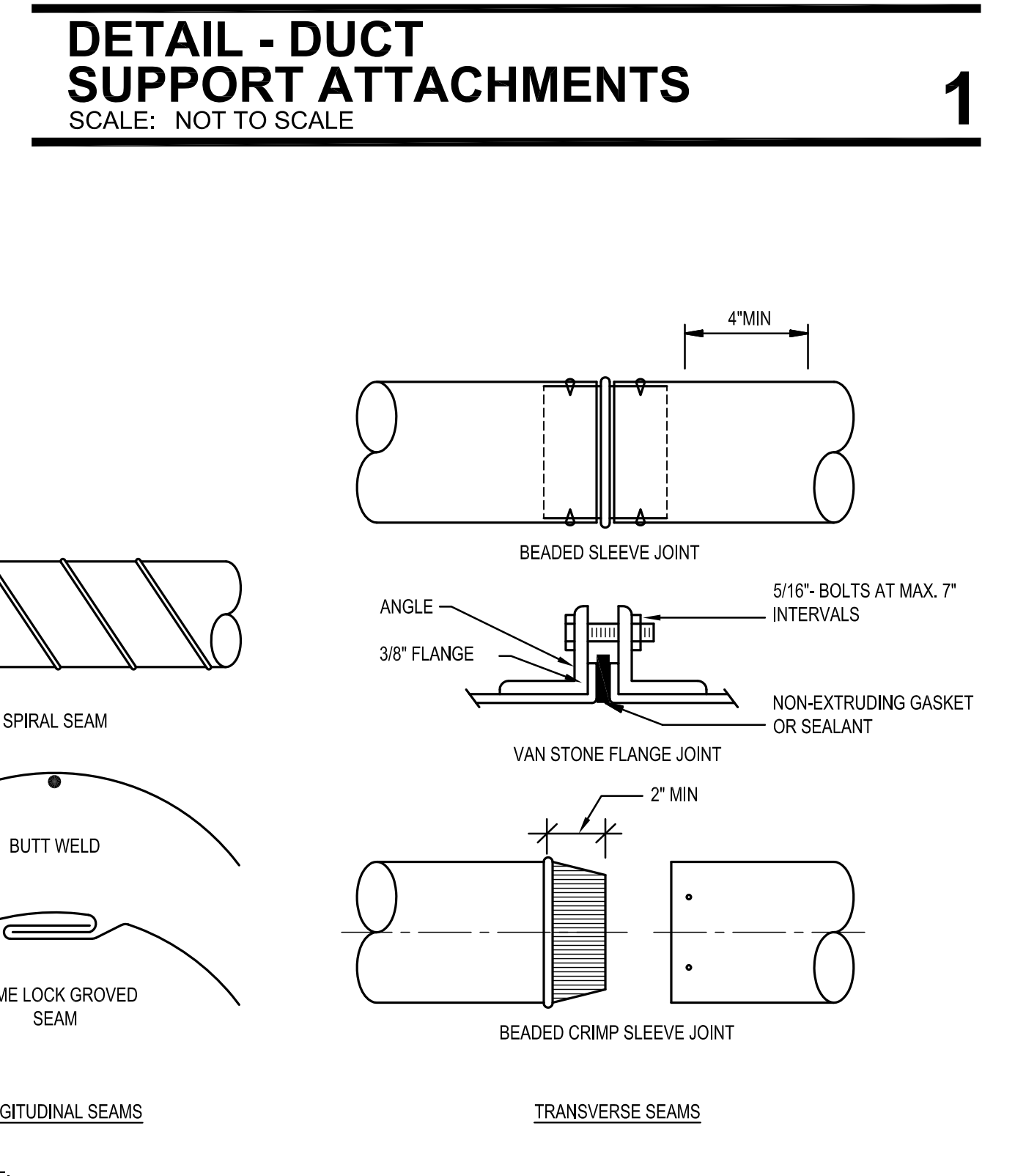
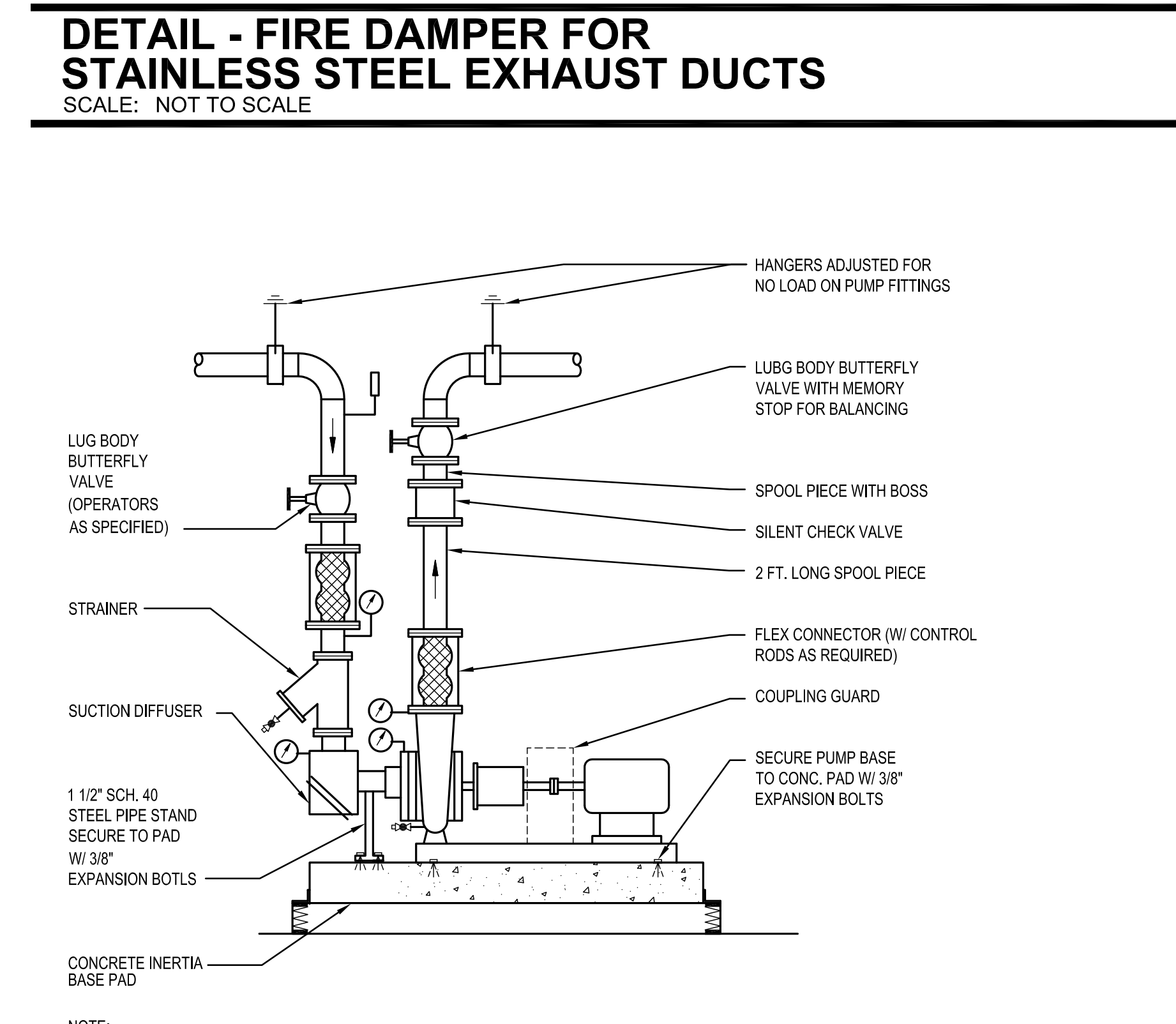
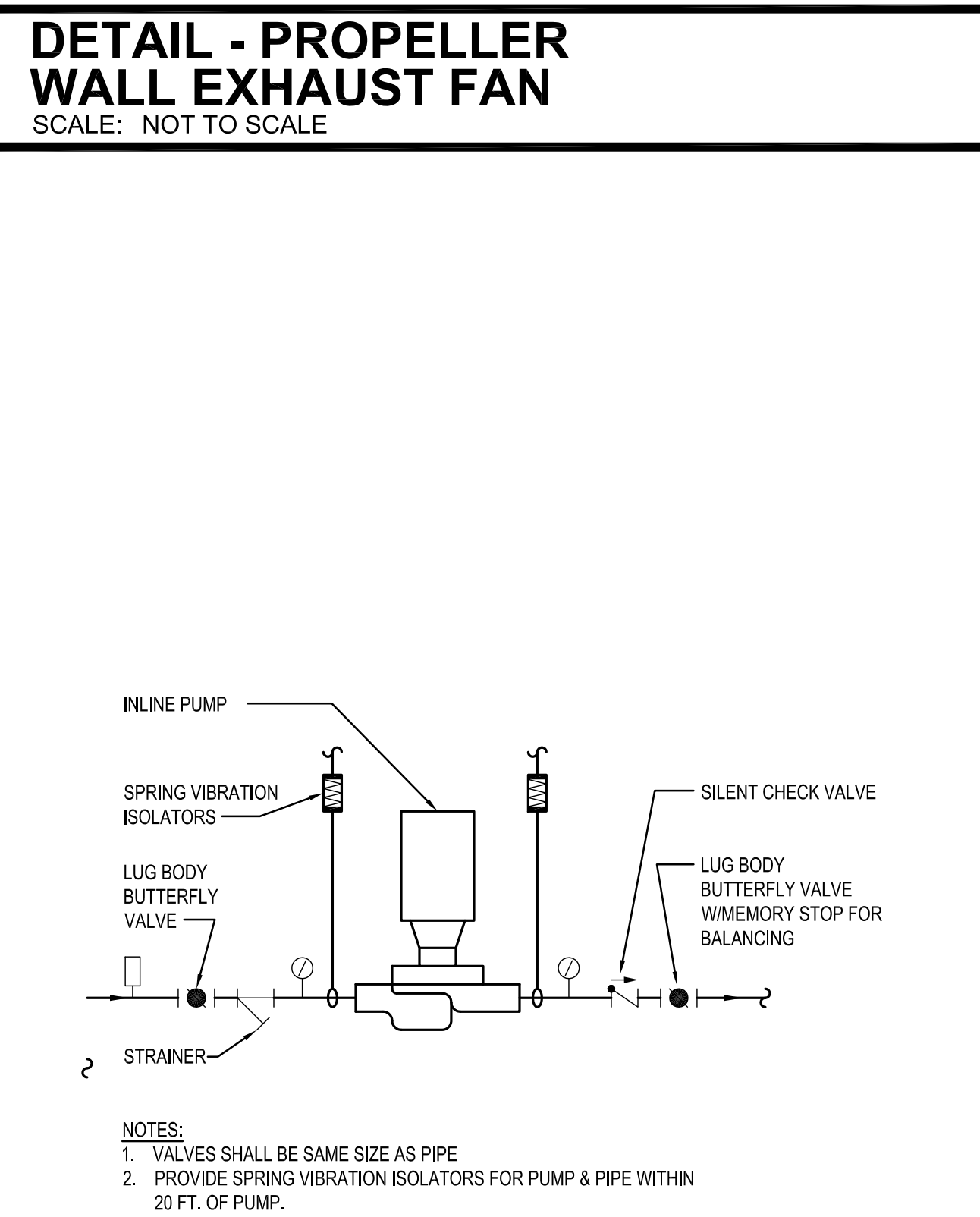
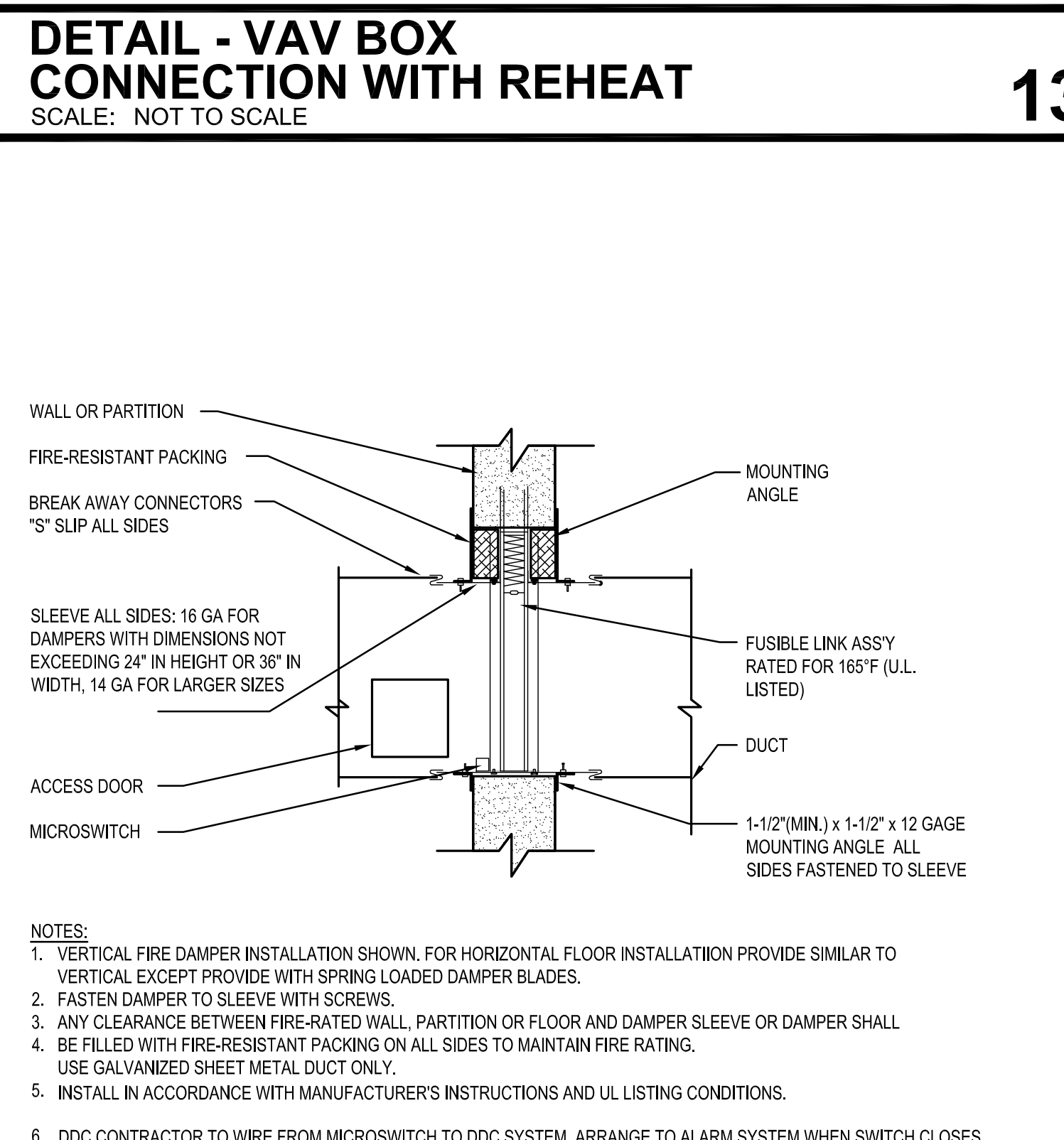
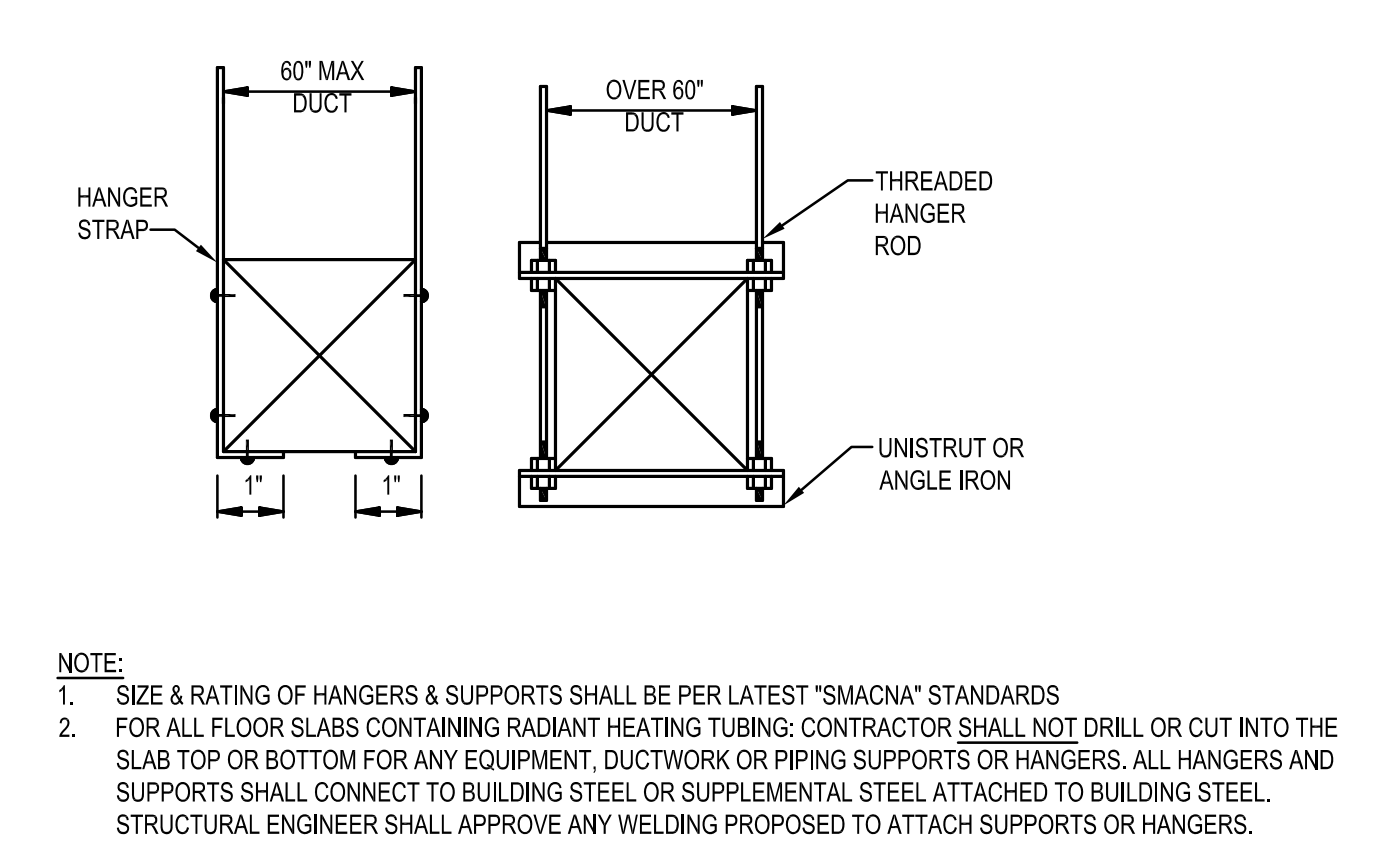
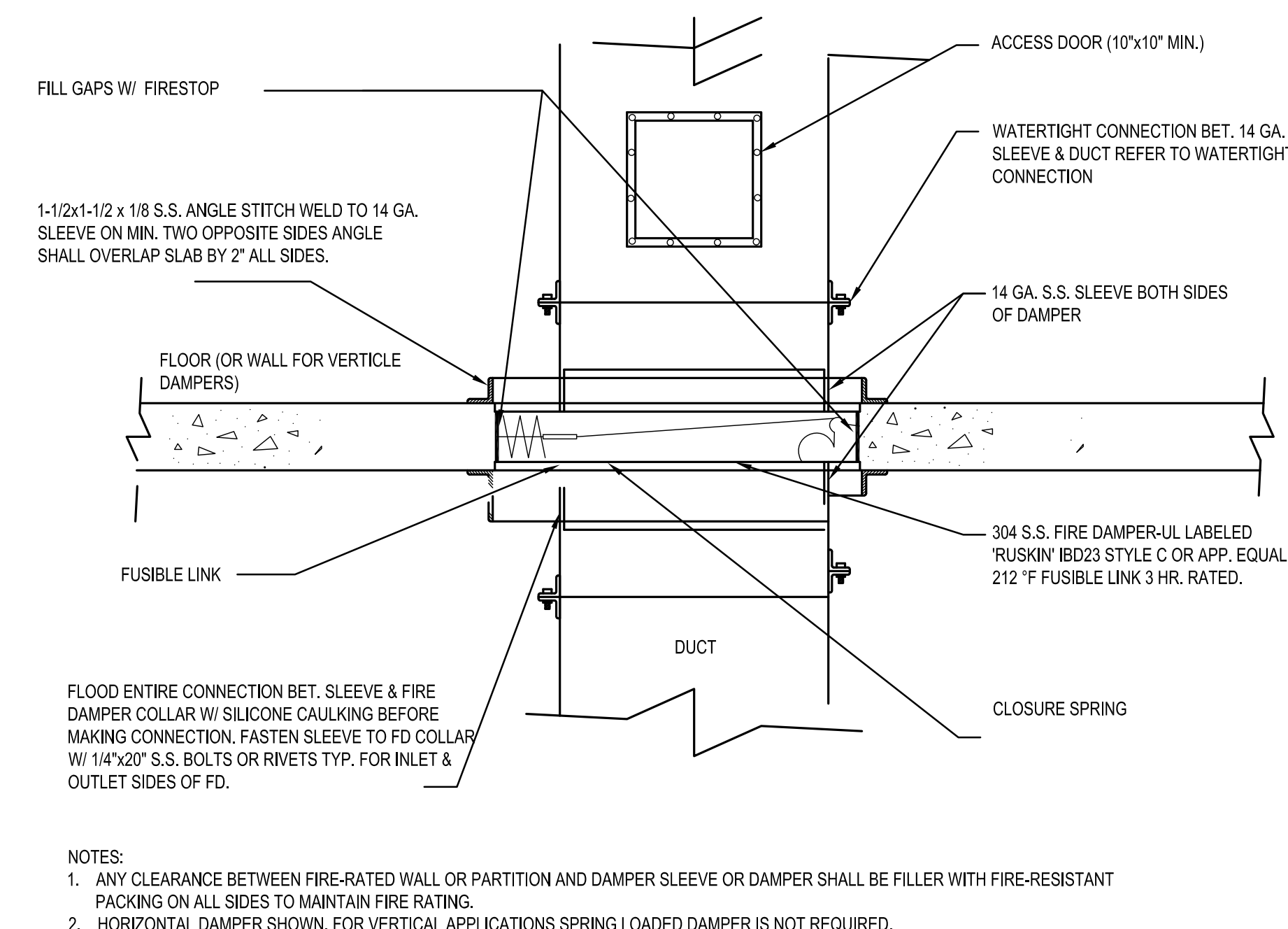
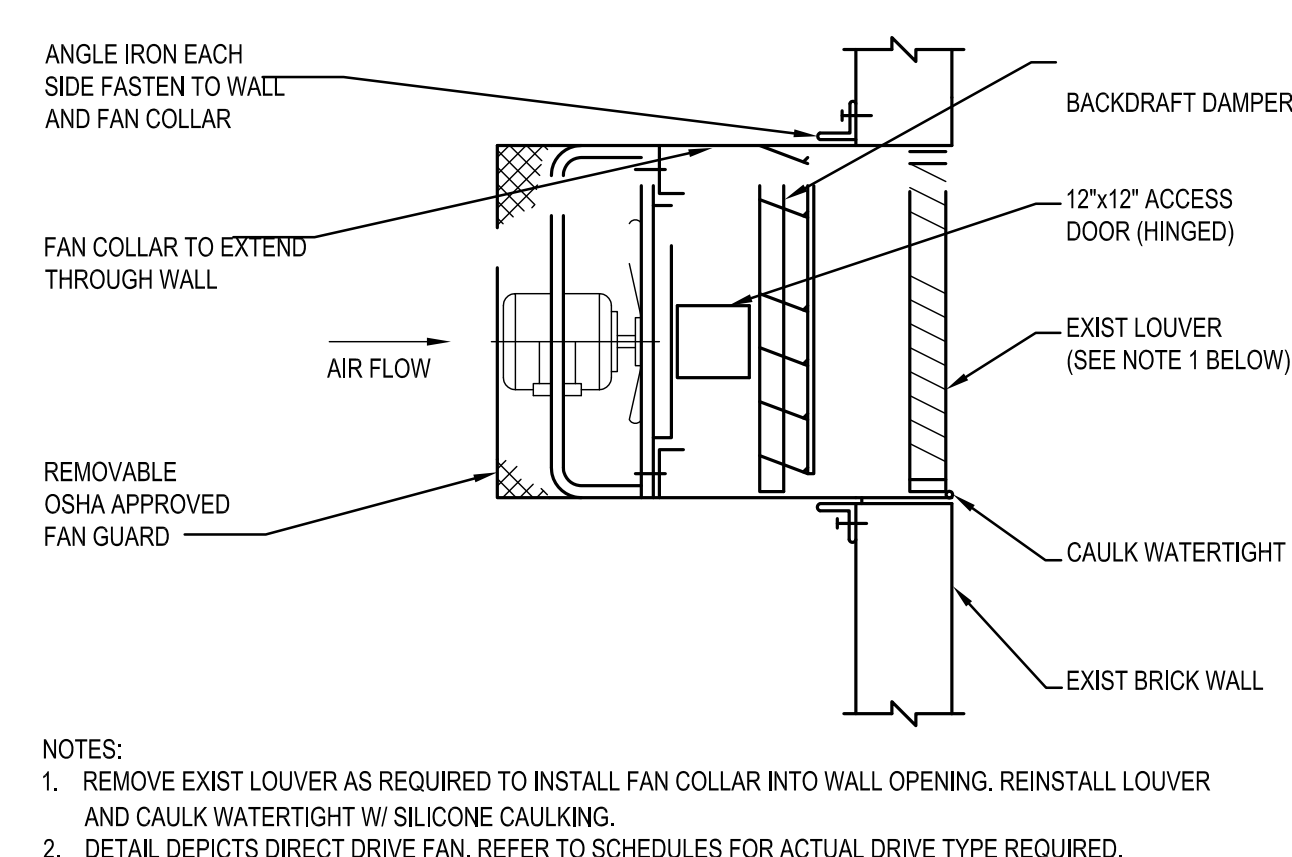
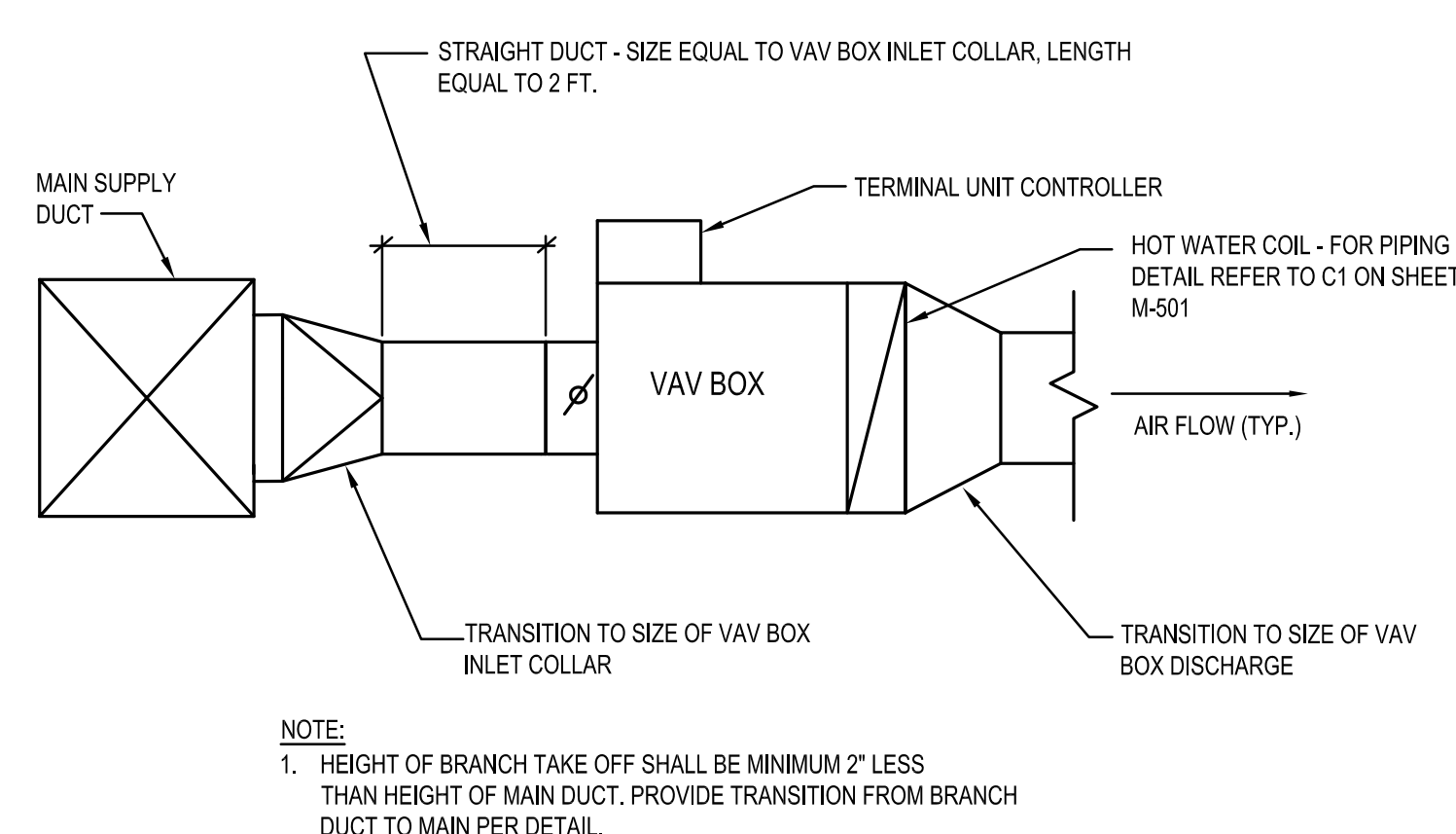
**SHEET NOTES**

**Portland International Jetport**  
 1001 Westbrook Street  
 Portland, Maine 04102

**Gensler**

2020 K Street, NW  
 Suite 200  
 Washington, DC 20006  
 Telephone 202.721.5200  
 Facsimile 202.872.8587

**oest ASSOCIATES, INC.**  
 360 Goshen Road, South Portland, ME 04106 P (207) 741-1770 F (207) 741-2461 www.oest.com  
 engineers • architects • surveyors • construction managers



**GENERAL NOTES**

A SEE SHEET M00.00 FOR LEGEND AND GENERAL NOTES.

Issue	Date & Issue Description	By	Check
01	12/03/08	PWZ	RHB
02	01/23/09	PWZ	RHB
02	10/26/09	PWZ	RHB

Issue	Date & Issue Description	By	Check
01	12/03/08	PWZ	RHB
02	01/23/09	PWZ	RHB
02	10/26/09	PWZ	RHB

Project Name: P1W Terminal Enhancement  
 Project Number: 09-6395-000  
 CAD File Name: T:\5330101\Sheets\M12.11.dwg  
 Description: MECHANICAL DETAILS  
 Scale: NOT TO SCALE

**M12.11**

©2009 Gensler