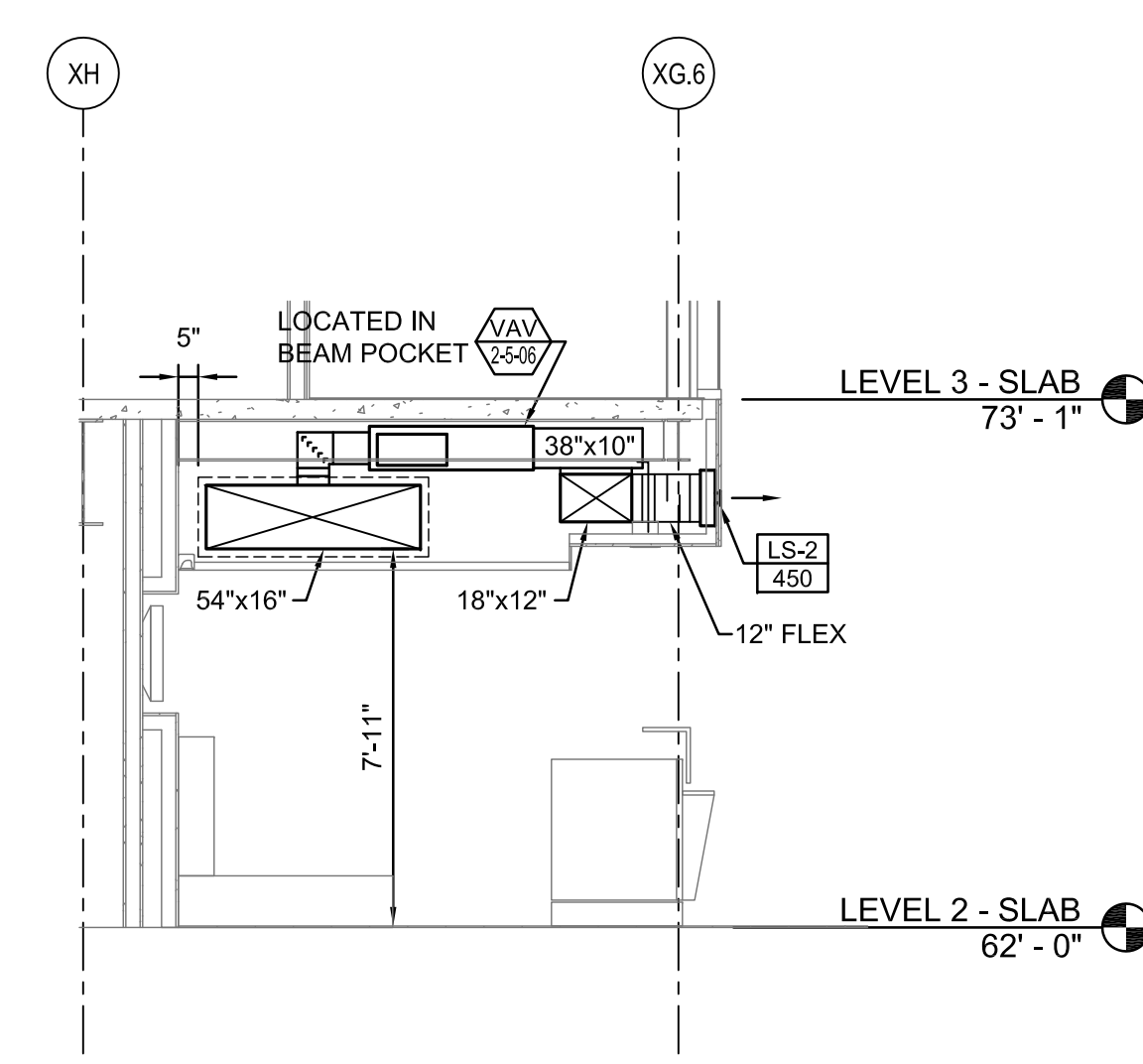
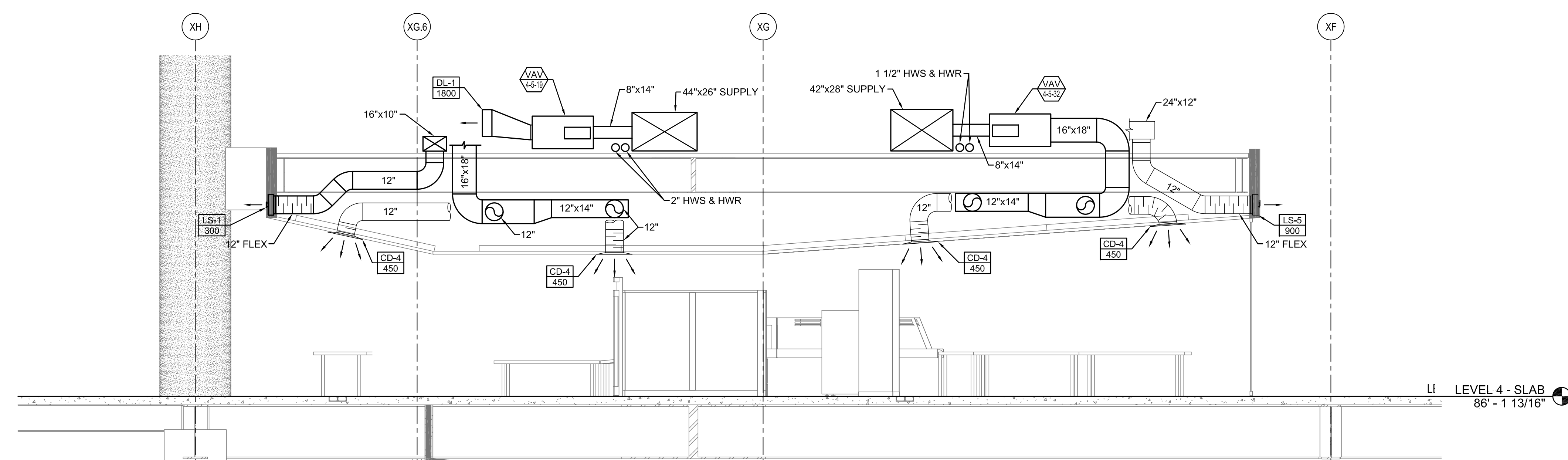


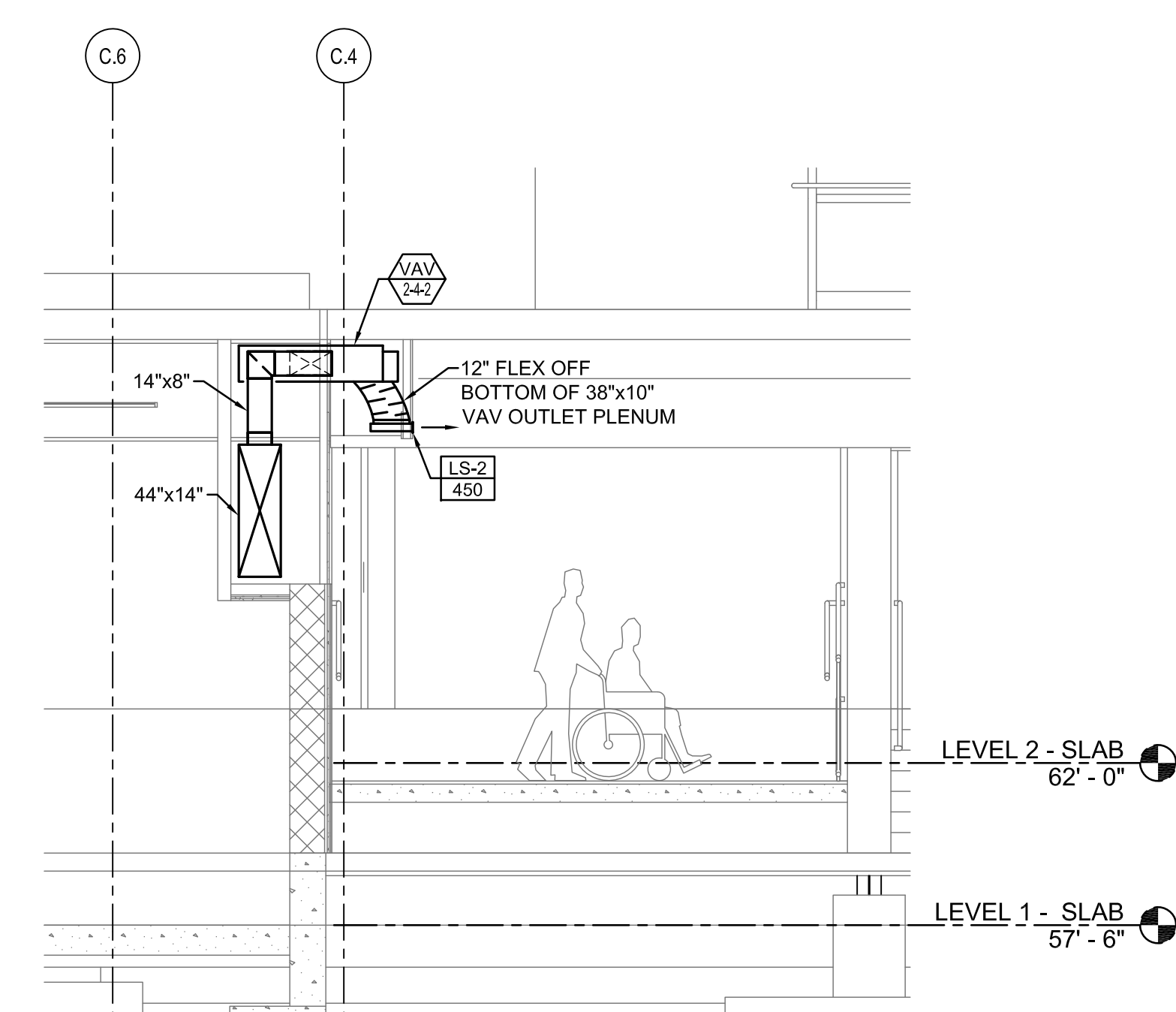
DUCTWORK SECTION - LEVEL 2 - ZONE 5 **5**
SCALE: 1/4" = 1'-0"



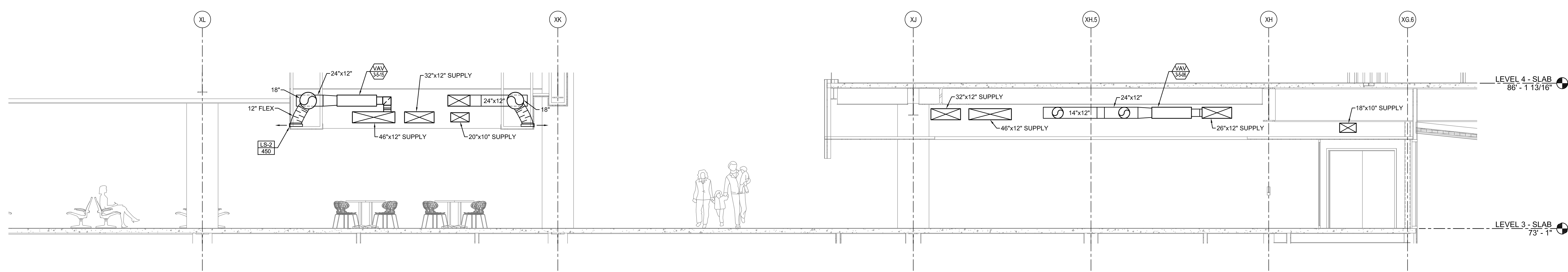
DUCTWORK SECTION - LEVEL 2 - ZONE 5 **1**
SCALE: 1/4" = 1'-0"



DUCTWORK SECTION - LEVEL 4 - ZONE 5 **6**
SCALE: 1/4" = 1'-0"



DUCTWORK SECTION @ LEVEL 2 - ZONE 3 **2**
SCALE: 1/4" = 1'-0"



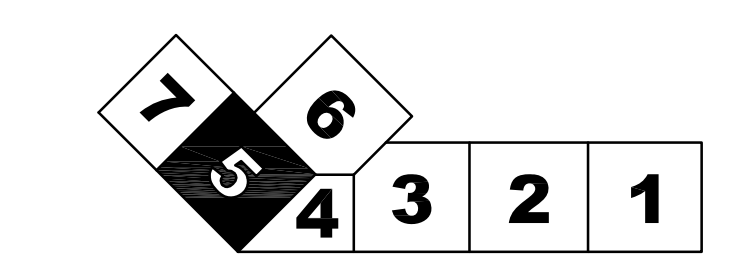
DUCTWORK SECTION - LEVEL 3 - ZONE 5 **4**
SCALE: 1/4" = 1'-0"

SHEET NOTES

GENERAL NOTES

A SEE SHEET M00.00 FOR LEGEND AND GENERAL NOTES.

KEY PLAN



Portland International Jetport
1001 Westbrook Street
Portland, Maine 04102

Gensler

2020 K Street, NW
Suite 200
Washington, DC 20006
Telephone 202.721.5200
Facsimile 202.872.8587

nest ASSOCIATES, INC.
363 Goshen Road, South Portland, ME 04106 P: (207) 741-1770 F: (207) 774-2461 www.nest.com
engineers • architects • surveyors • construction managers

Issue	Date & Issue Description	By	Check
01	01/23/09	PWZ	RHB
02	10/26/09	PWZ	RHB

SeedSignature

Project Name: PWM Terminal Enhancement
Date: 10/26/09

Project Number: 09-6395-000
CAD File Name: T:\S330\101\Sheets\M09.01.dwg
Description: MECHANICAL SECTIONS

Scale: AS NOTED

M09.01

©2009 Gensler