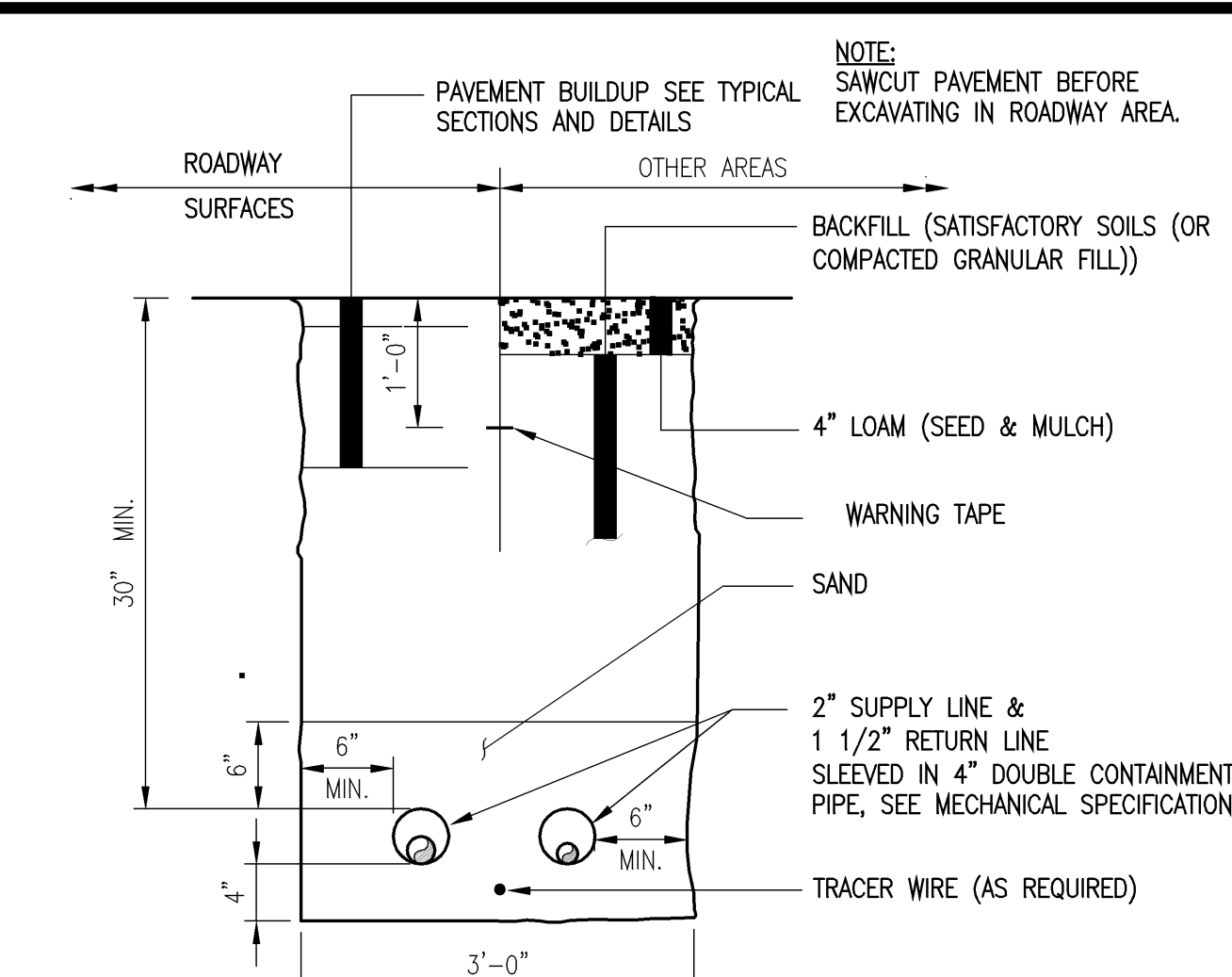
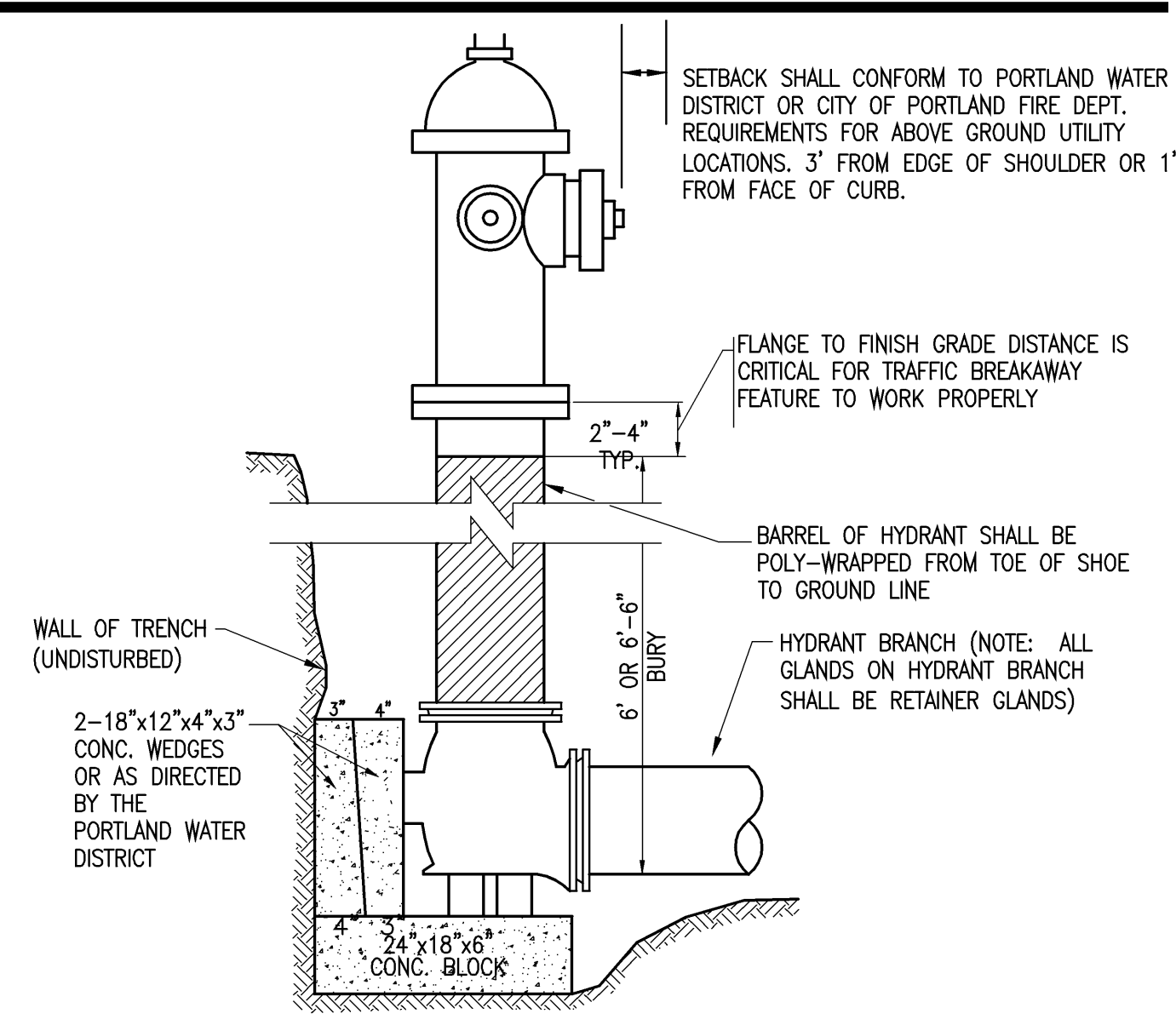


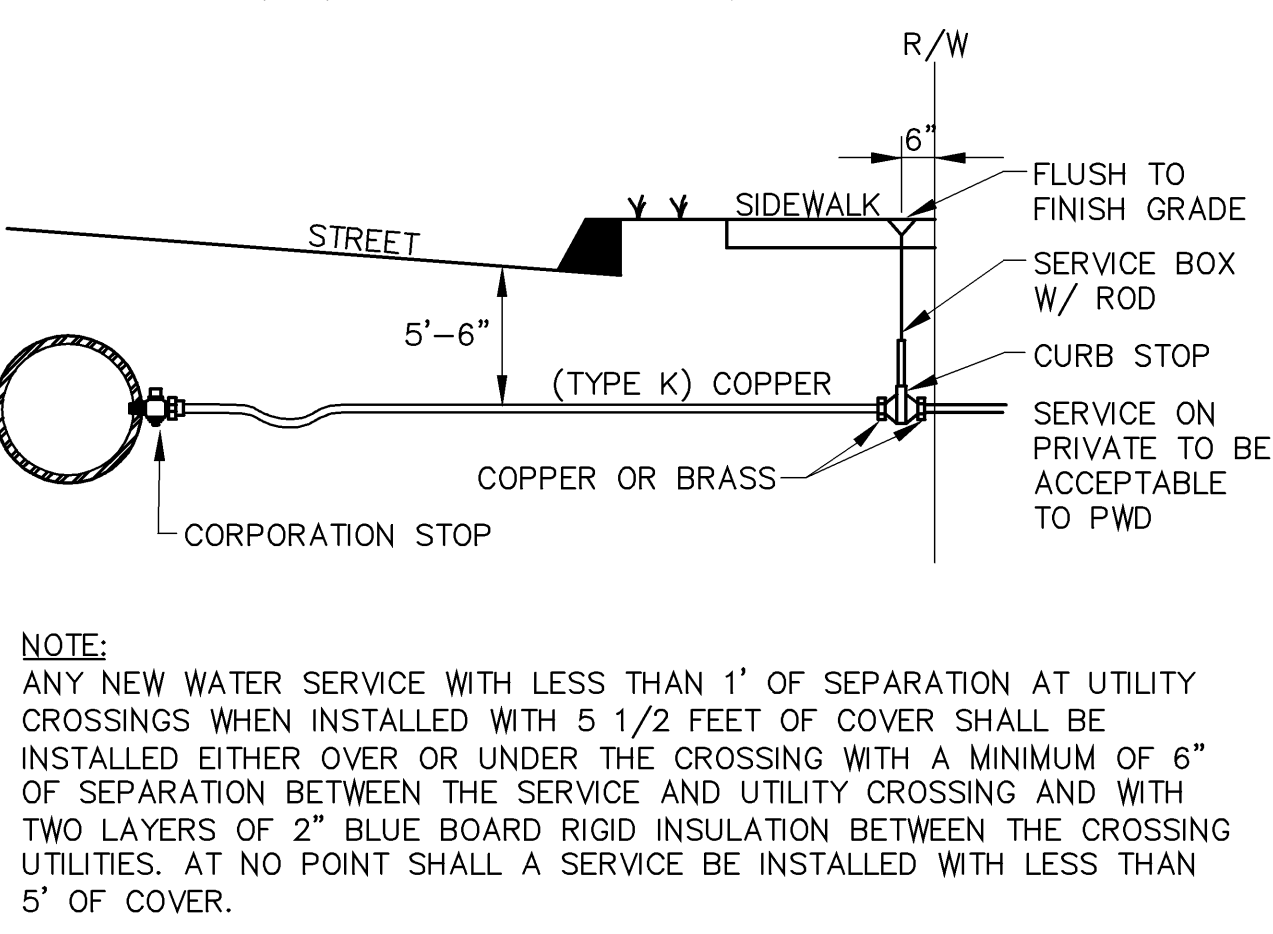
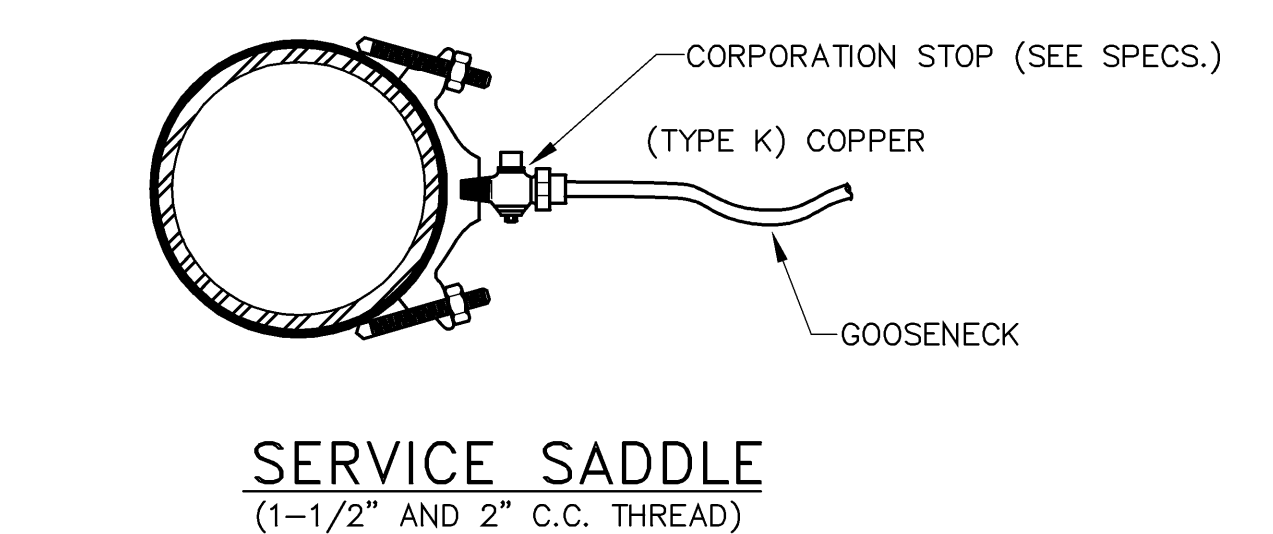
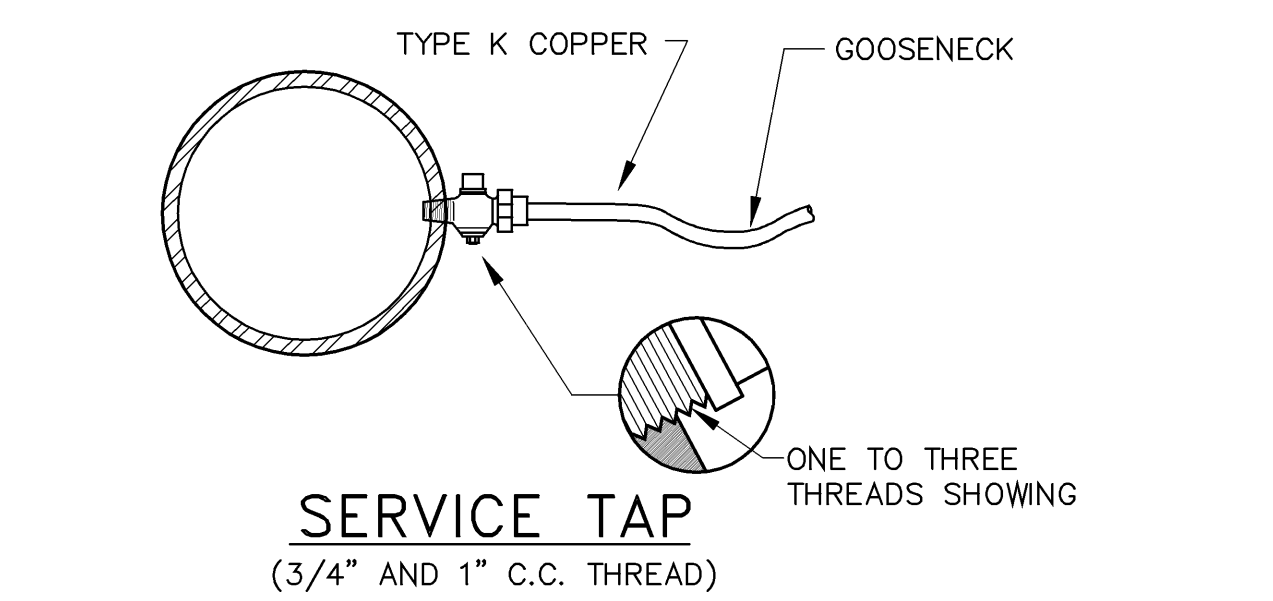
ELECTRIC MANHOLE
SCALE: NOT TO SCALE **11**



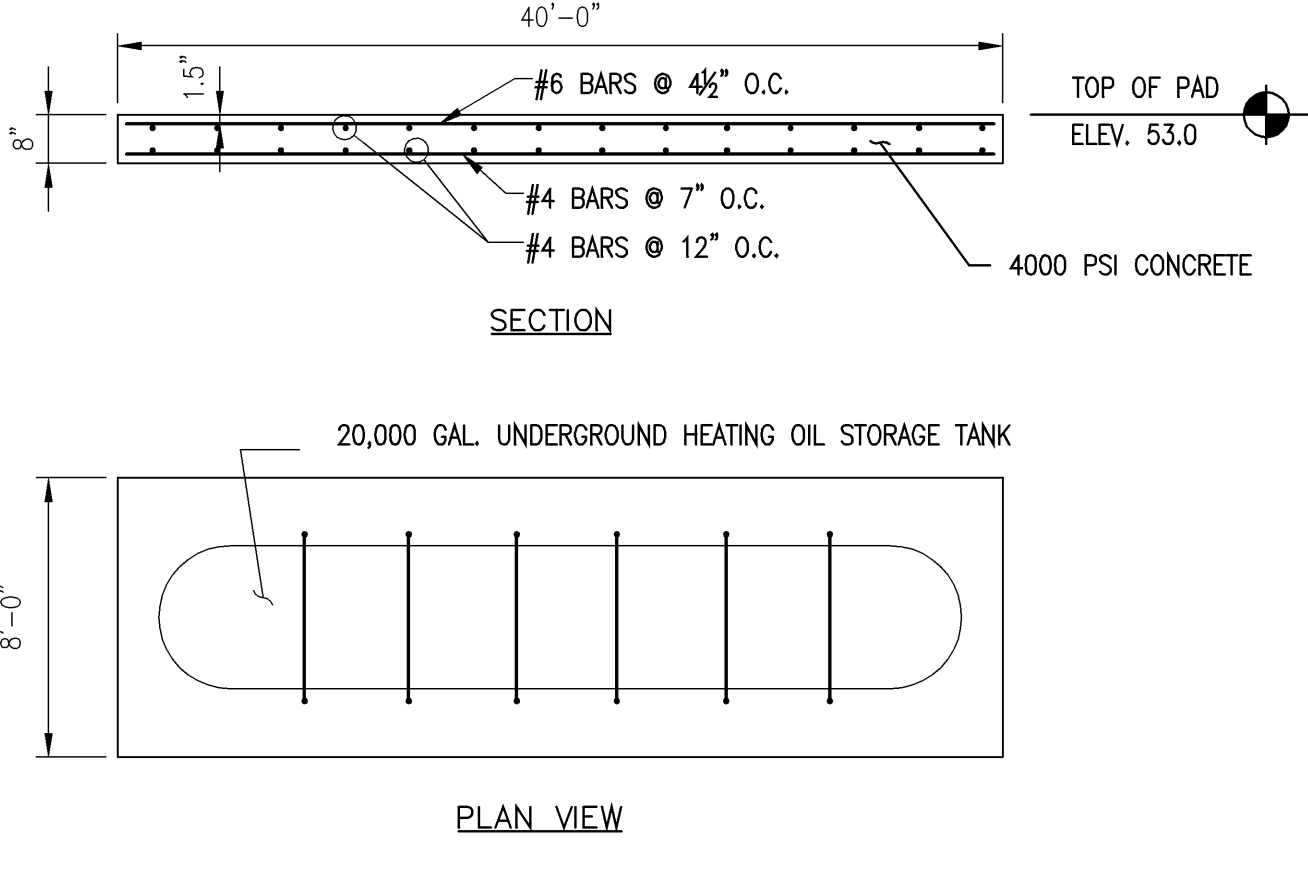
HEATING OIL TRENCH
SCALE: NOT TO SCALE **6**



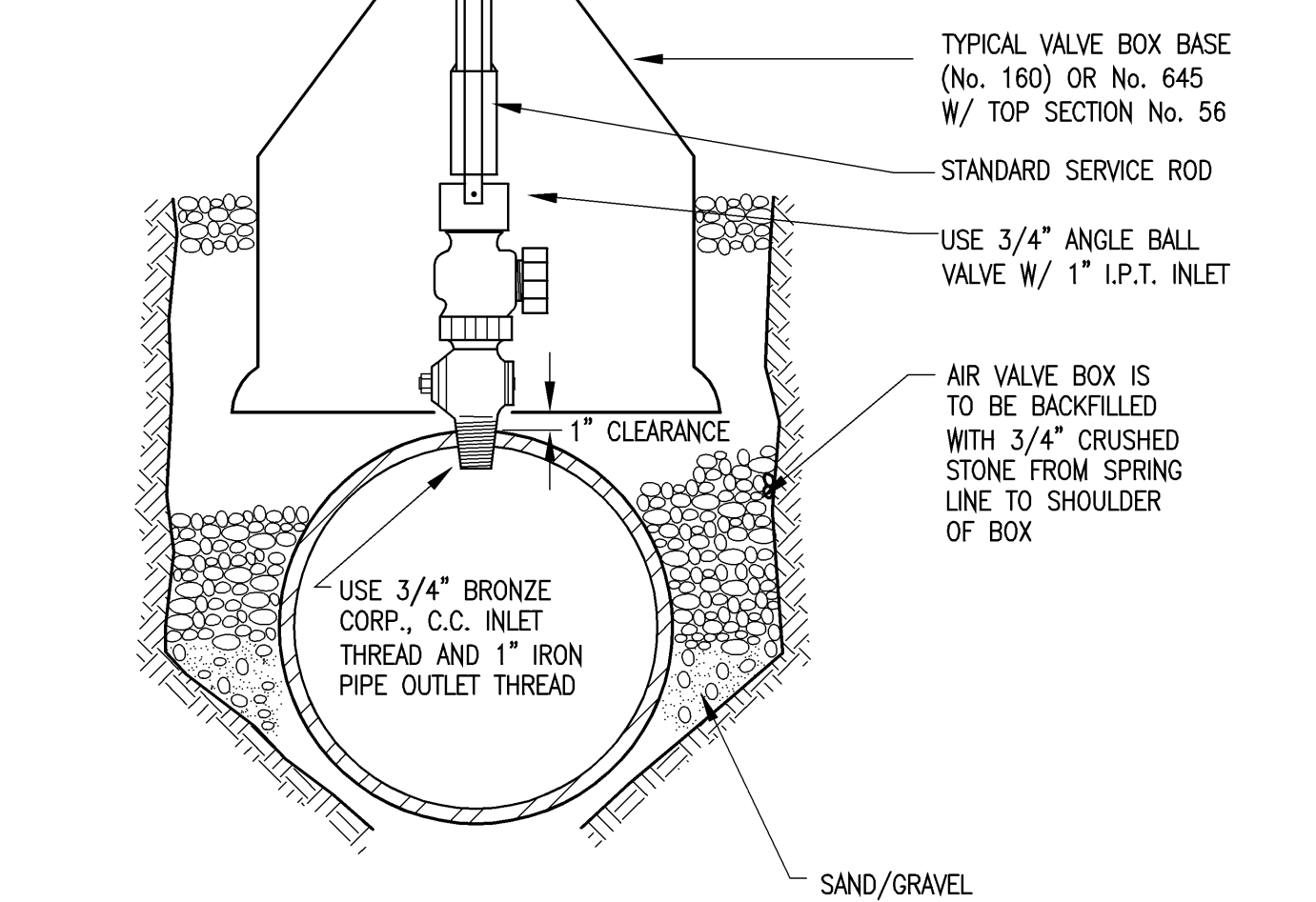
HYDRANT INSTALLATION
SCALE: NOT TO SCALE **1**



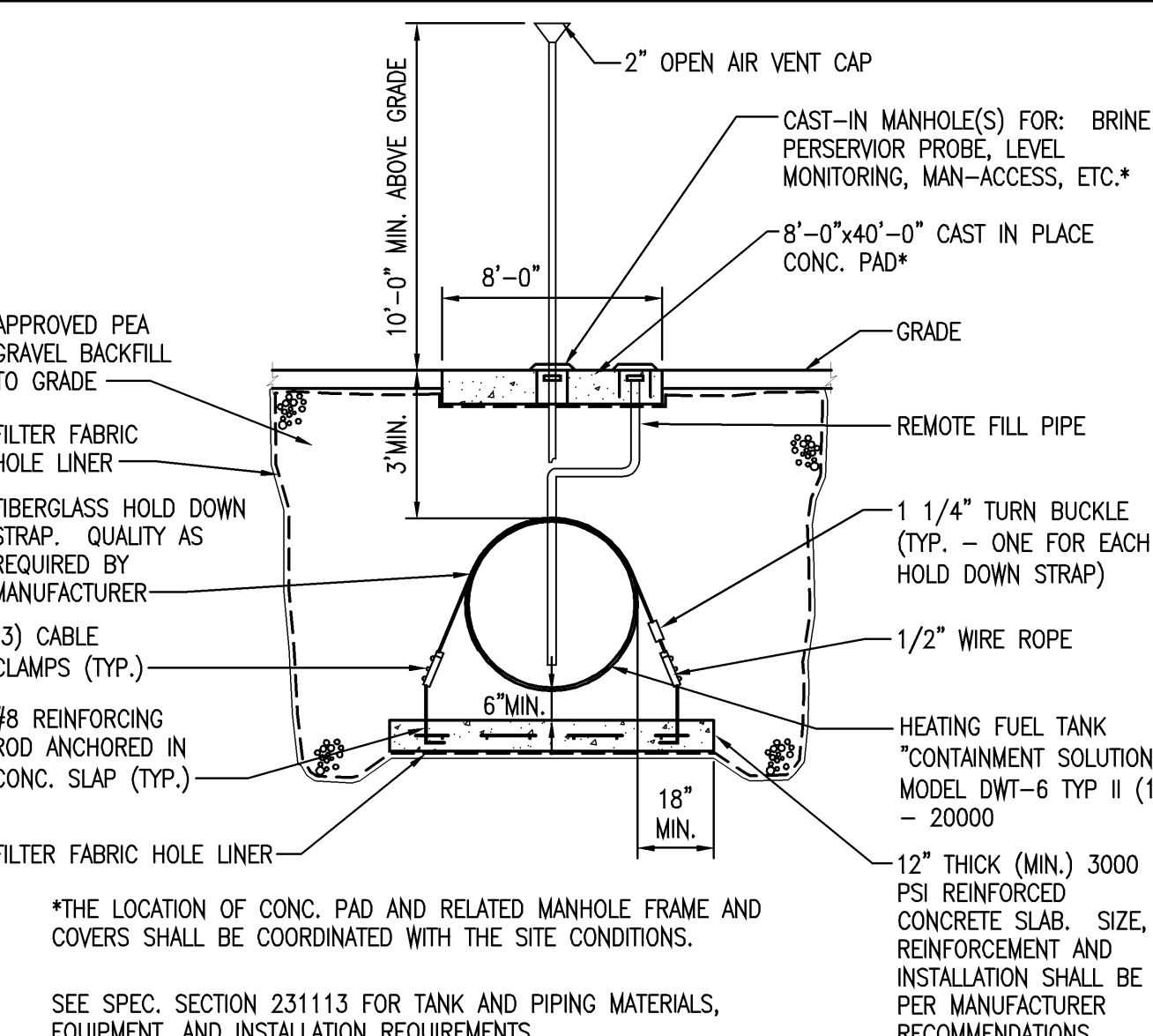
SERVICE CONNECTION
SCALE: NOT TO SCALE **12**



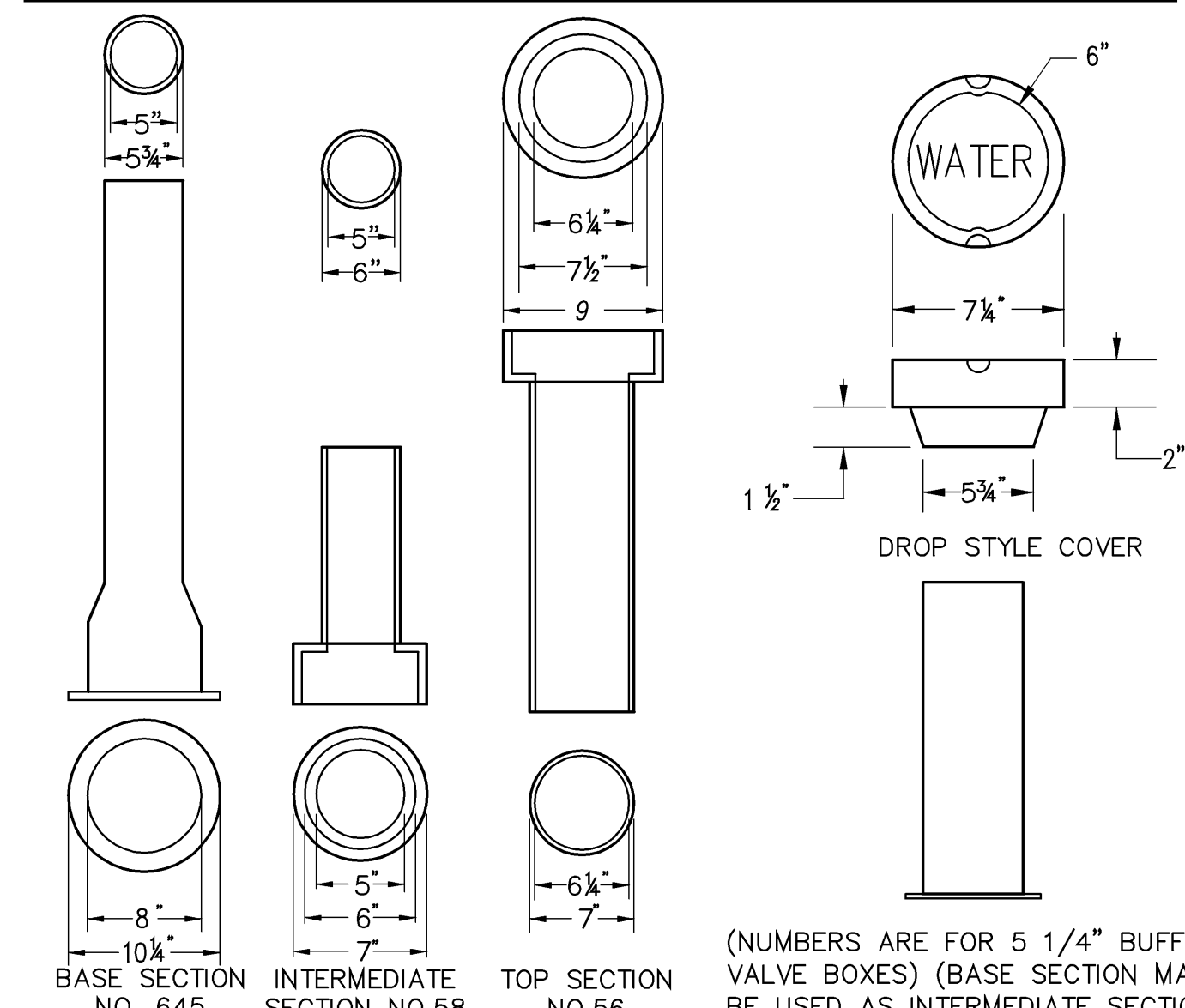
HEATING OIL STORAGE TANK PAD
SCALE: NOT TO SCALE **7**



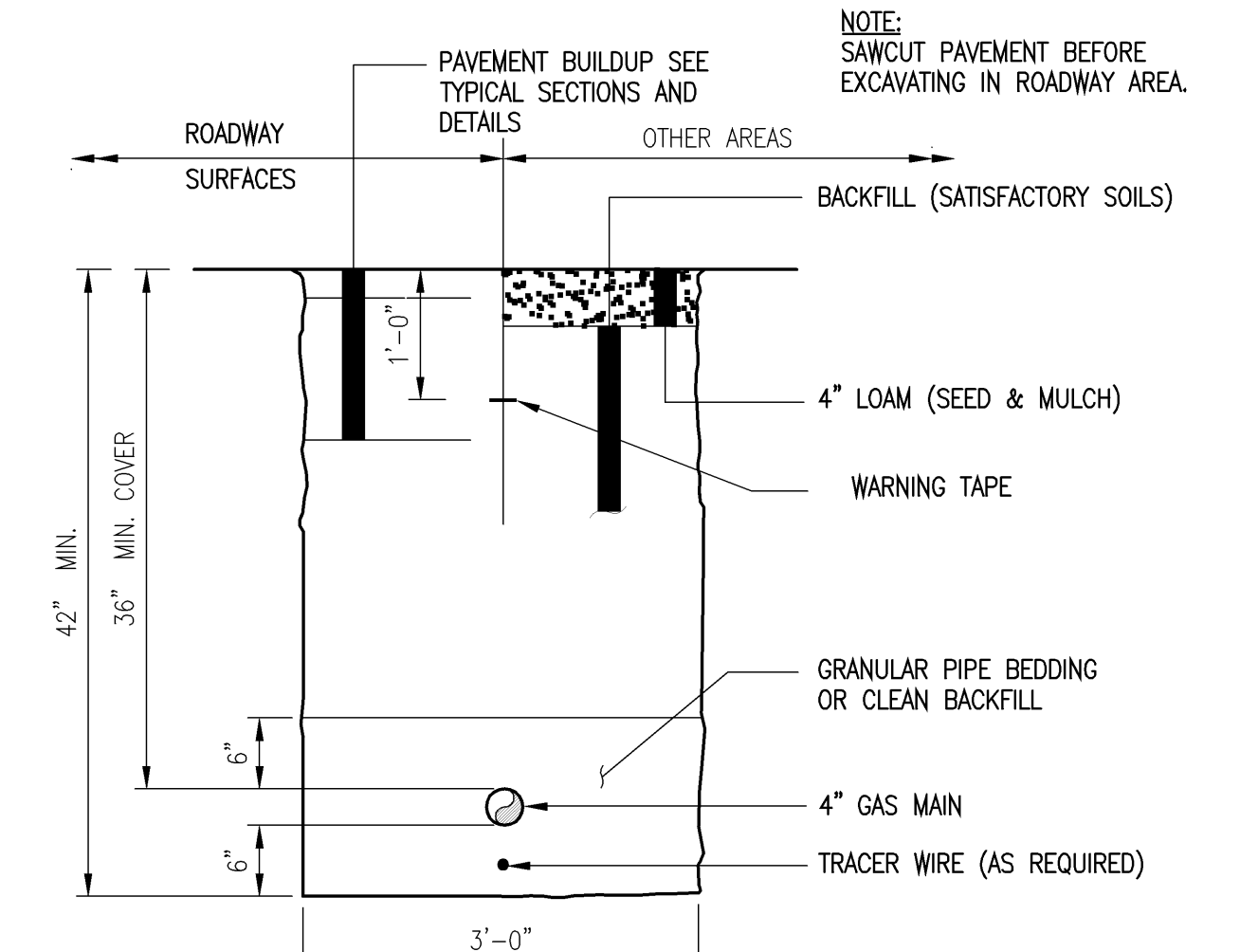
AIR VALVE
SCALE: NOT TO SCALE **2**



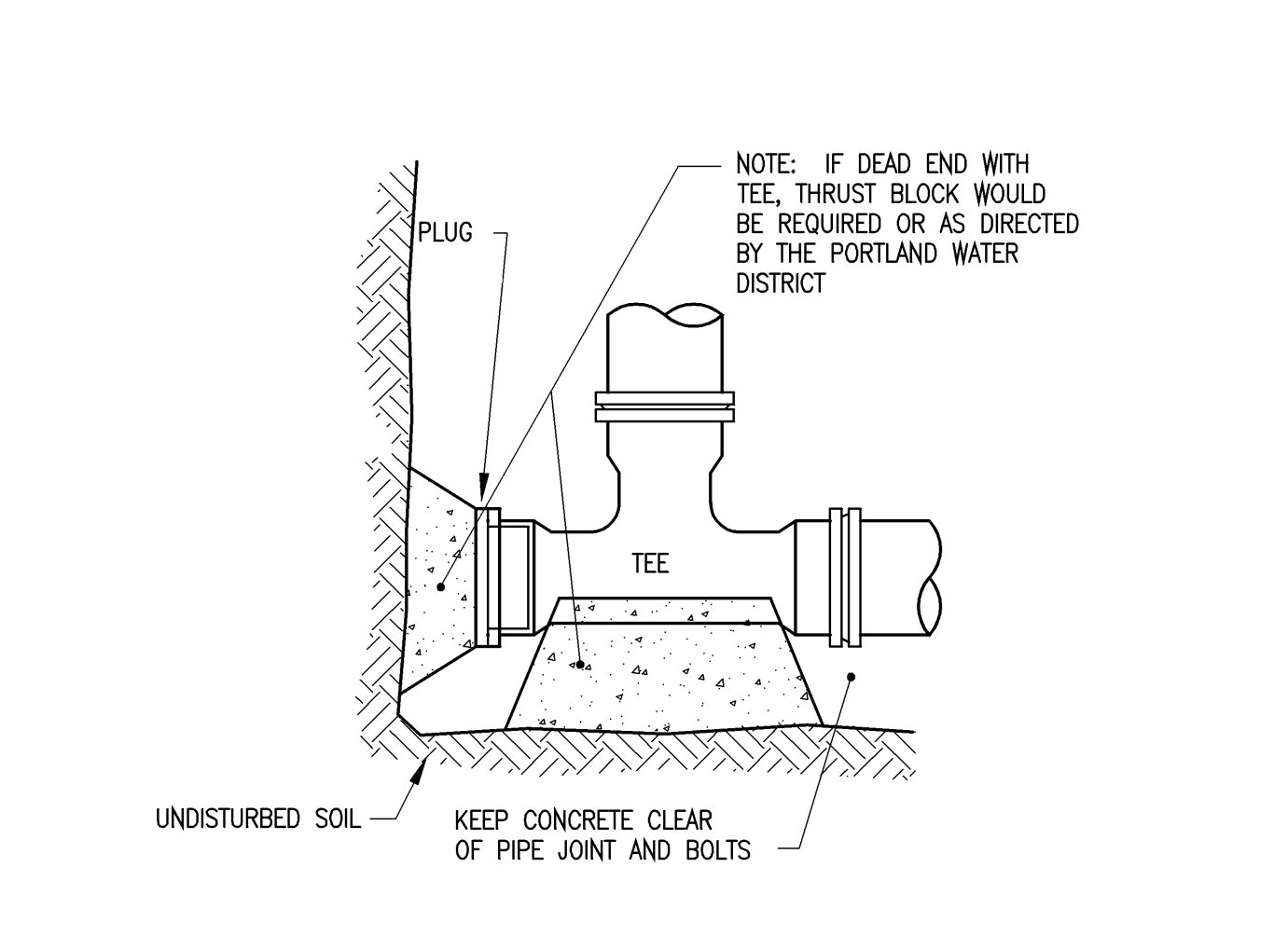
HEATING OIL TANK SECTION
SCALE: NOT TO SCALE **8**



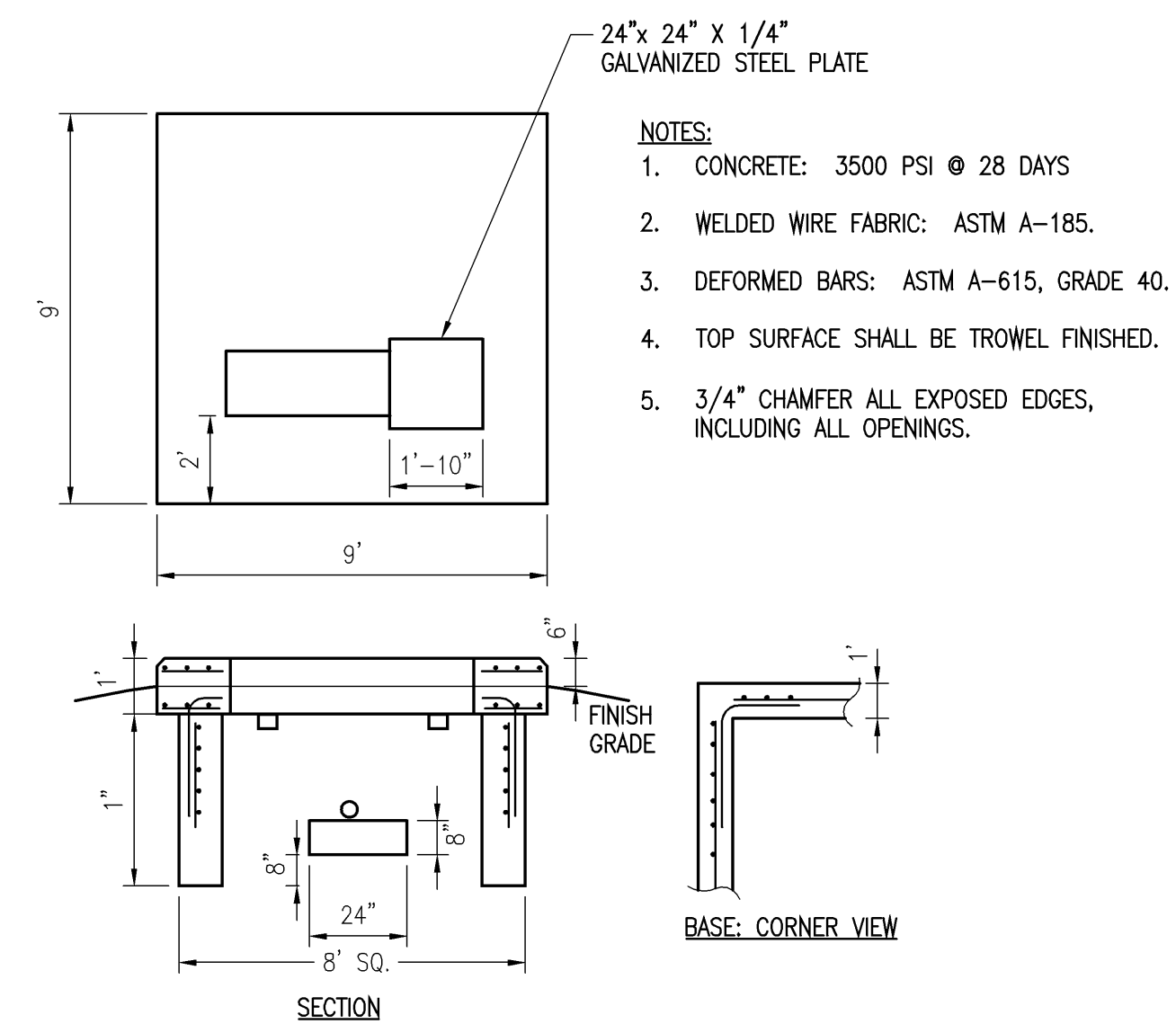
VALVE BOX & COVER
SCALE: NOT TO SCALE **3**



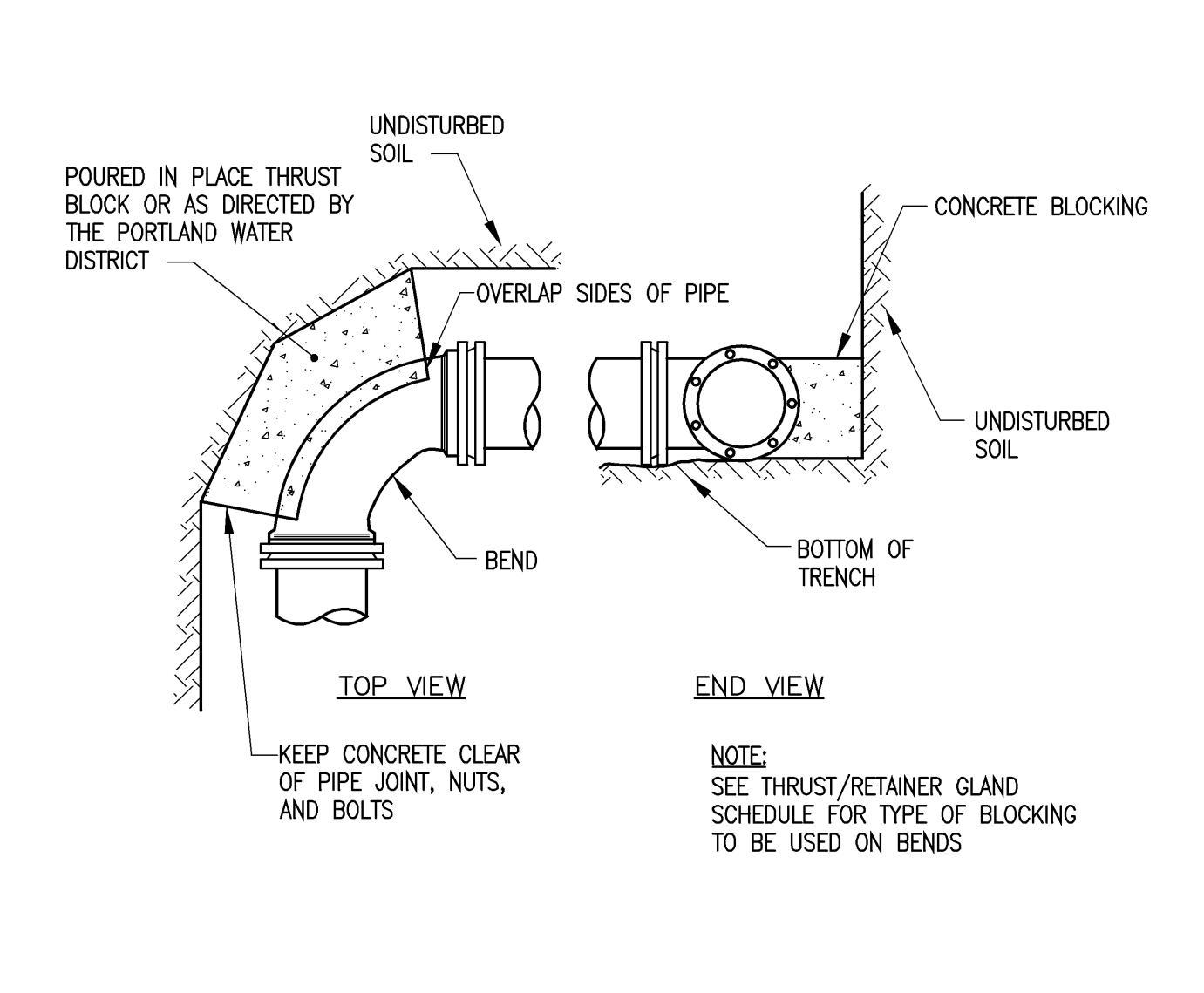
NATURAL GAS TRENCH
SCALE: NOT TO SCALE **9**



STANDARD TEE BLOCKING
SCALE: NOT TO SCALE **4**



TRANSFORMER PAD
SCALE: NOT TO SCALE **10**



STANDARD BEND BLOCKING
SCALE: NOT TO SCALE **5**

SHEET NOTES

1. WATER UTILITY DETAILS ARE ALL IN CONFORMANCE WITH PORTLAND WATER DISTRICT'S "WATER & WASTEWATER SYSTEM CONSTRUCTION SPECIFICATIONS" LATEST REVISION DATE: NOV. 1, 2007.

GENERAL NOTES

Issue	Date & Issue Description	By	Check
1	09/22/08	W/W	AWL
2	12/03/08	W/W	AWL
3	01/23/09	W/W	AWL
4	10/26/09	W/W	FFM

Portland International Jetport
1001 Westbrook Street
Portland, Maine 04102

Gensler

2020 K Street, NW
Suite 200
Washington, DC 20006
Telephone 202.771.5200
Facsimile 202.872.8587

oest ASSOCIATES, INC.
343 Oyster Road, South Portland, ME 04106 P (207) 761-1770 F (207) 774-2444 www.oest.com
engineers • architects • surveyors • construction managers

Signature

Project Name
P/W/M Terminal Enhancement

Project Number
08.6396.000

CAD File Name
T:\5330101\SHEETS\C12.04.DWG

Description
UTILITY SECTIONS & DETAILS

Scale
AS NOTED

C12.04

©2009 Gensler

