

**CAUTION**

**LOW HEADROOM**

1  
-  
DETAIL -- BHS OPERATIONAL WARNING SIGN #1  
-  
NOT TO SCALE

DO NOT OPERATE  
CONVEYOR WITHOUT  
GUARDS IN PLACE

2  
-  
DETAIL -- BHS OPERATIONAL WARNING SIGN #2  
-  
NOT TO SCALE

**CAUTION**

DO NOT  
STAND, WALK ON  
OR CROSS CONVEYOR

3  
-  
DETAIL -- BHS OPERATIONAL WARNING SIGN #3  
-  
NOT TO SCALE

**CAUTION**

THIS CONVEYOR IS  
AUTOMATICALLY CONTROLLED  
AND MAY START AT ANY TIME

4  
-  
DETAIL -- BHS OPERATIONAL WARNING SIGN #4  
-  
NOT TO SCALE

**DANGER**

EQUIPMENT MAY START AT ANY TIME  
AUTHORIZED AND TRAINED  
PERSONNEL ONLY

5  
-  
DETAIL -- BHS OPERATIONAL WARNING SIGN #5  
-  
NOT TO SCALE

EMERGENCY  
 STOP

6  
-  
DETAIL -- BHS OPERATIONAL WARNING SIGN #6  
-  
NOT TO SCALE

**DANGER**

480 VOLTS

7  
-  
DETAIL -- BHS OPERATIONAL WARNING SIGN #7  
-  
NOT TO SCALE

**DANGER**

PINCH POINT 

8  
-  
DETAIL -- BHS OPERATIONAL WARNING SIGN #8  
-  
NOT TO SCALE

**DANGER**


MOVING MACHINERY  
KEEP HANDS AND  
FEET CLEAR

9  
-  
DETAIL -- BHS OPERATIONAL WARNING SIGN #9  
-  
NOT TO SCALE

**DANGER**

WATCH OUT  
FOR MOVING  
EQUIPMENT

10  
-  
DETAIL -- BHS OPERATIONAL WARNING SIGN #10  
-  
NOT TO SCALE

 **WARNING**

SERVICING MOVING OR  
ENERGIZED EQUIPMENT  
CAN CAUSE SEVERE  
INJURY.  
LOCK OUT POWER  
BEFORE SERVICING

11  
-  
DETAIL -- BHS OPERATIONAL WARNING SIGN #11  
-  
NOT TO SCALE

 **DANGER**

CLIMBING, SITTING,  
WALKING OR RIDING ON  
CONVEYOR AT ANY TIME  
WILL CAUSE SEVERE  
INJURY OR DEATH.  
KEEP OFF

12  
-  
DETAIL -- BHS OPERATIONAL WARNING SIGN #12  
-  
NOT TO SCALE

**SHEET NOTES**

Portland International  
Jetport  
1001 Westbrook Street  
Portland, Maine 04102

**Gensler**

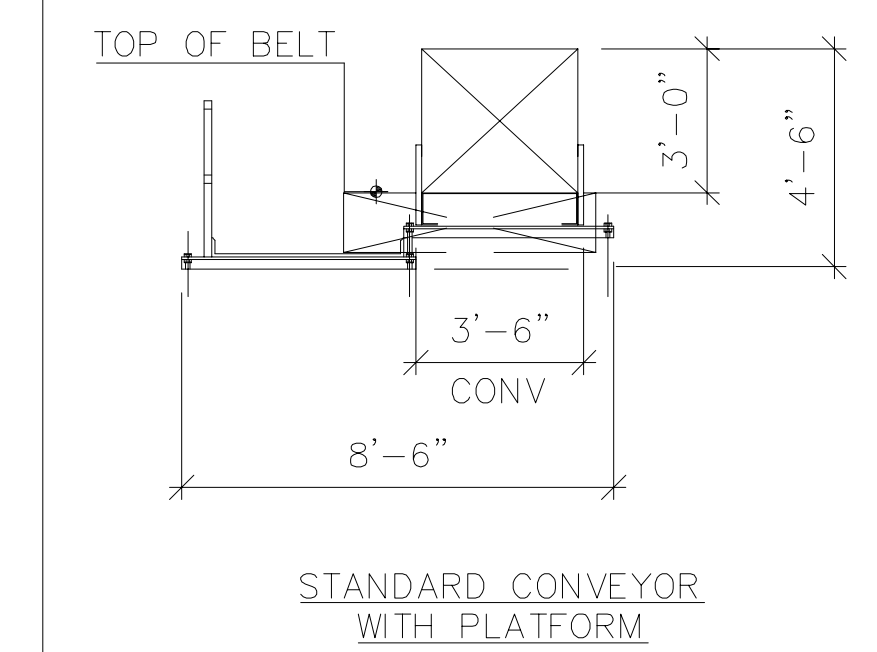
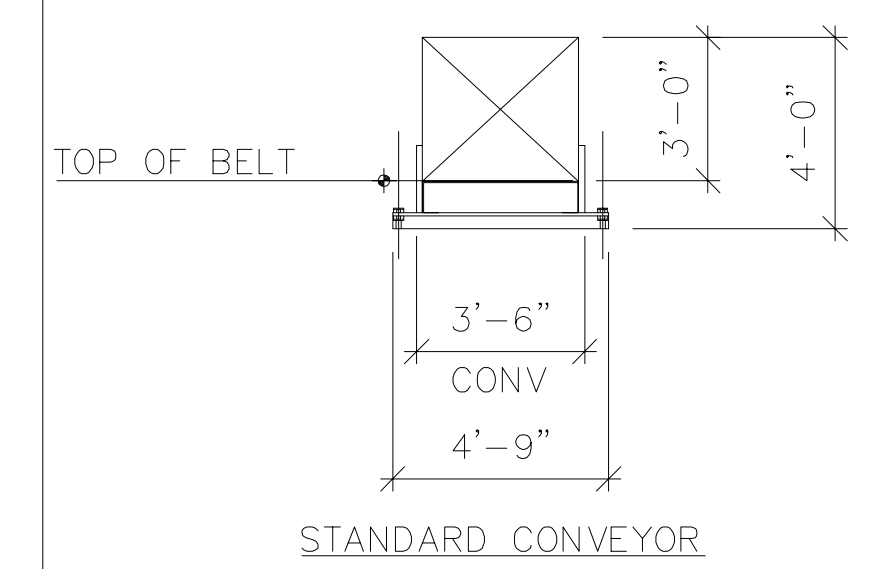
2020 K Street, NW  
Suite 200  
Washington, DC 20006  
Telephone 202.721.5200  
Facsimile 202.872.8587

**BNP**

PHONE: 203.792.3000  
FAX: 203.792.4900  
BNPHQ@BNPASSOCIATES.COM

101 EAST RIDGE OFFICE PARK  
SUITE 103  
DANBURY, CT 06810 USA

**LEGEND**



Issue	Date & Issue Description	By	Check
01	9/15/09	BNP	JWKS
02	10/26/09	BNP	JWKS
	ISSUED FOR PERMIT		

**GENERAL NOTES**

THE FOLLOWING, TOGETHER WITH THE PROJECT SPECIFICATIONS AND BHS DRAWINGS SHALL APPLY:

A. CHECK AND FIELD VERIFY ALL BHS RELATED DIMENSIONS ON THE JOB SITE BEFORE PROCEEDING WITH WORK, AND BE RESPONSIBLE FOR THEIR ACCURACY. IF DISCREPANCIES ARE FOUND BETWEEN THE BHS DRAWINGS, SPECIFICATIONS AND FIELD CONDITIONS, THEY SHALL BE REPORTED TO THE OWNER'S REPRESENTATIVE.

B. NO DIMENSIONS SHALL BE SCALED, DRAWINGS DIMENSIONS SHOWN SHALL BE USED.

C. REFERENCE STRUCTURAL DRAWINGS FOR BEAM LOCATIONS.

D. FOR ADDITIONAL BHS RIGHT-OF-WAY DETAILS SEE B12 SERIES.

E. ALL TICKET COUNTERS AND BAG WELL SCALES NOT BY BHS CONTRACTOR.

F. BHS CONTRACTOR TO COORDINATE WITH ALL OTHER TRADES TO MAINTAIN BAGGAGE SYSTEM RIGHT-OF-WAY.

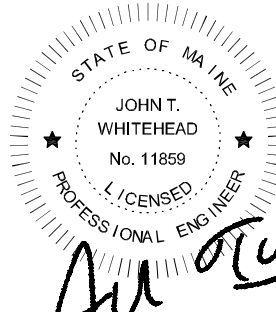
G. ALL DIMENSIONS ARE FROM COLUMN CENTER LINE TO FACE OF CONVEYOR SIDE GUARD, UNLESS OTHERWISE NOTED.

H. ALL OTHER TRADES TO MAINTAIN 3'-0" CLEAR RIGHT-OF-WAY FROM TOP OF BELT TO NEAREST OBSTRUCTION. HANGING OF ANY EQUIPMENT COMPONENTS MECHANICAL, ELECTRICAL, PLUMBING, HVAC... FROM THE CONVEYOR, CATWALK OR ASSOCIATED SUPPORTS IS NOT ALLOWED.

I. ALL BHS RIGHT-OF-WAY SHALL TAKE PRECEDENCE OVER ALL OTHER BUILDING SERVICES (MECHANICAL DUCT WORK AND PIPES, ELECTRICAL CONDUIT, SECURITY CONDUIT, FIRE PROTECTION PIPING, PLUMBING PIPES, ETC.)

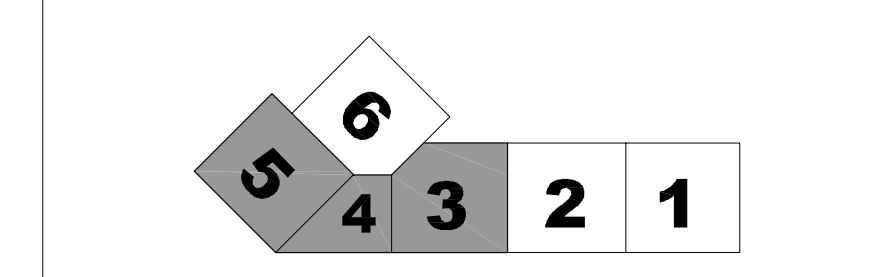
J. ALL FINISHED FLOOR DIMENSIONS ARE TAKEN FROM THE HIGH POINT OF THE FINISHED FLOOR.

See Signature

  
Project Name  
PJM Terminal Expansion

Project Number  
09.0395.000  
CAD File Name  
B12.11.dwg  
Description  
BAGGAGE HANDLING SYSTEM - TYP DETAILS - SIGNAGE

**KEY PLAN**



Scale

**B12.11**

©2008 Gensler