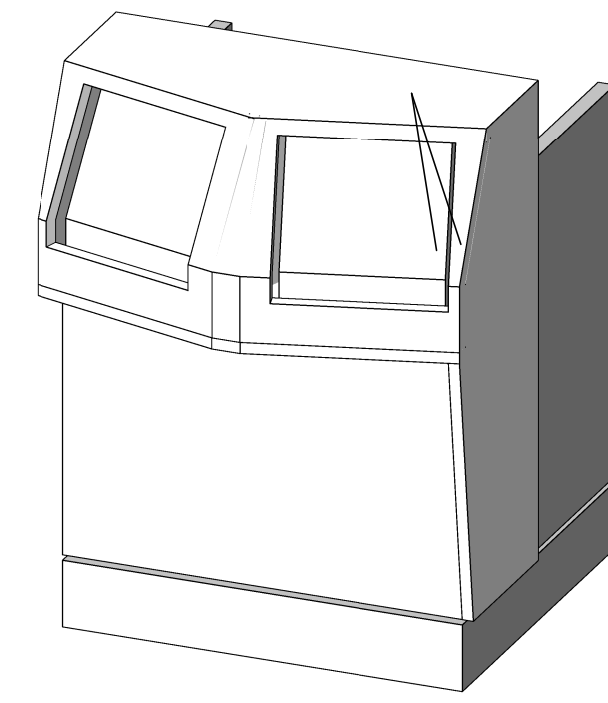
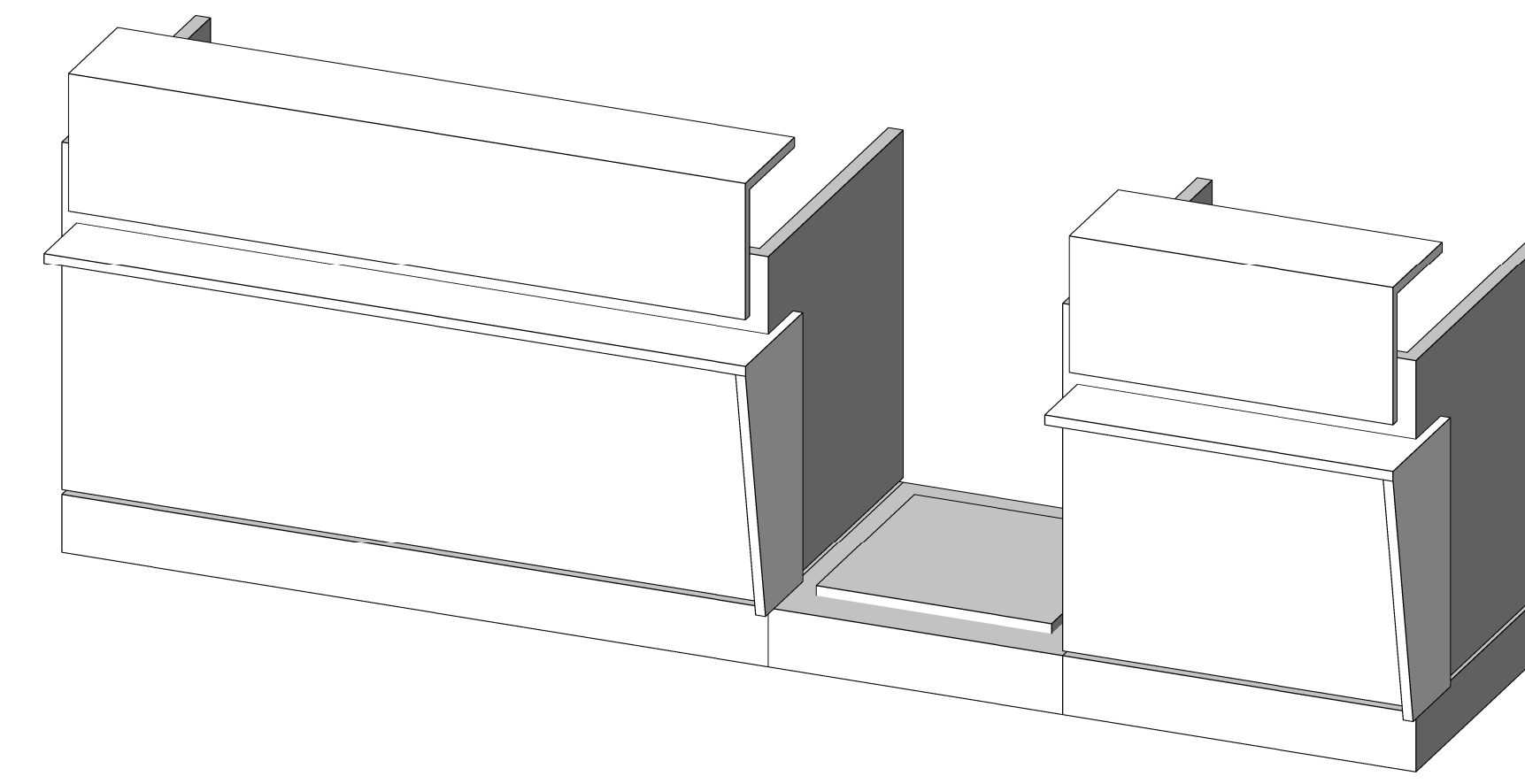


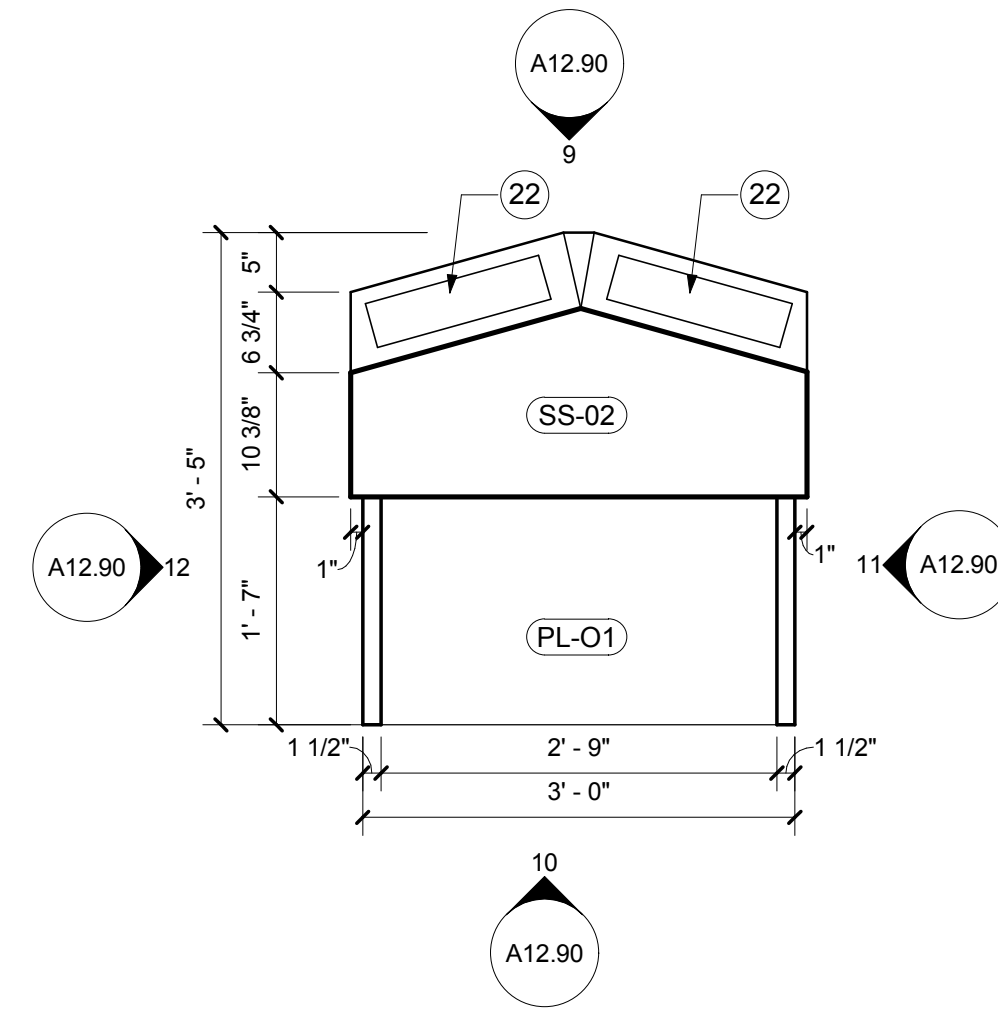
SSD COUNTER LEFT ELEV. SIDE 12
SCALE: 3/4" = 1'-0" A12.90



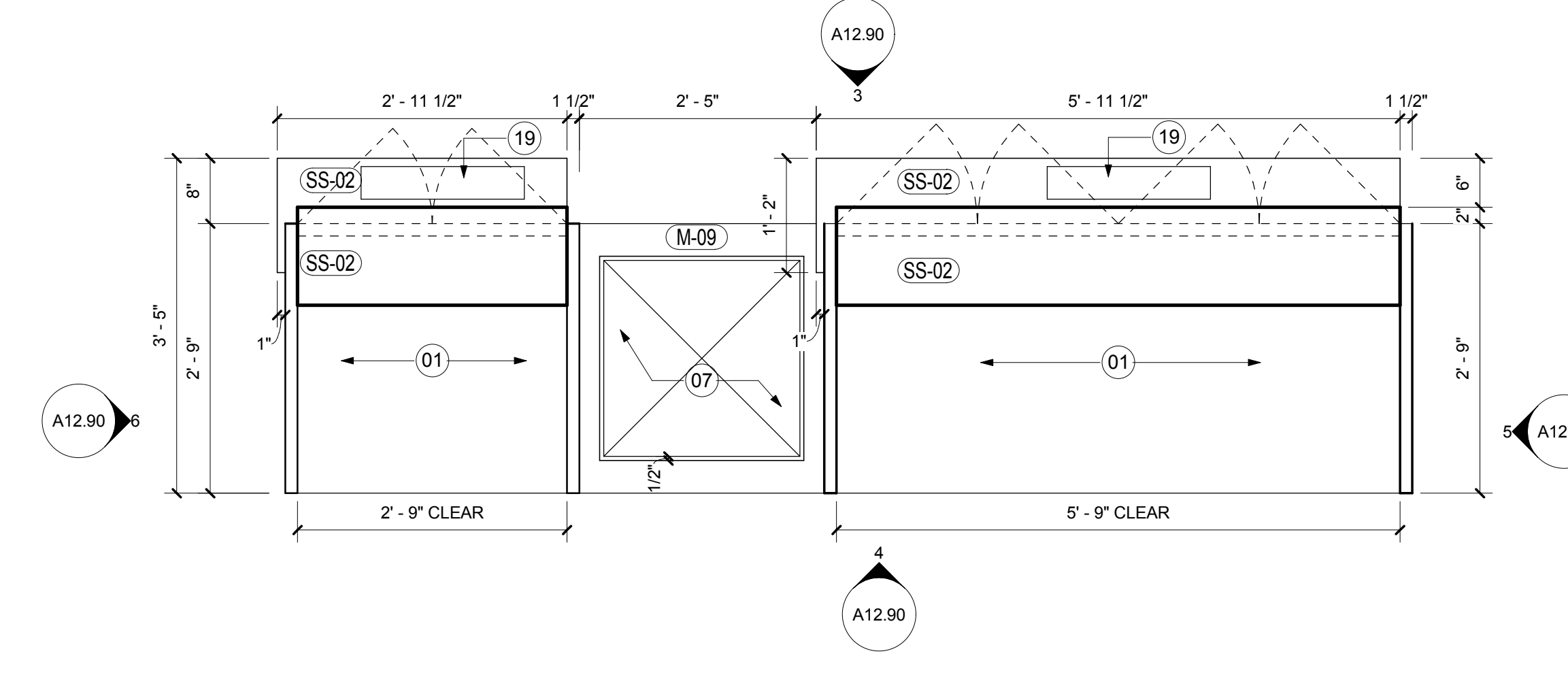
SSD COUNTER 7
SCALE: 3/4" = 1'-0" A12.90



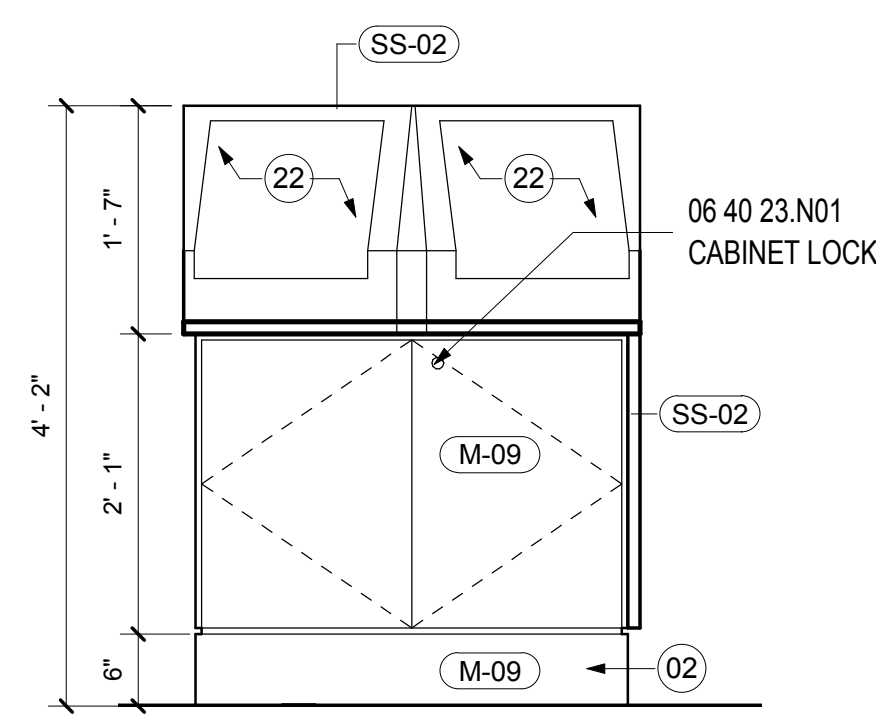
TICKET COUNTER 1
SCALE: 3/4" = 1'-0" A12.90



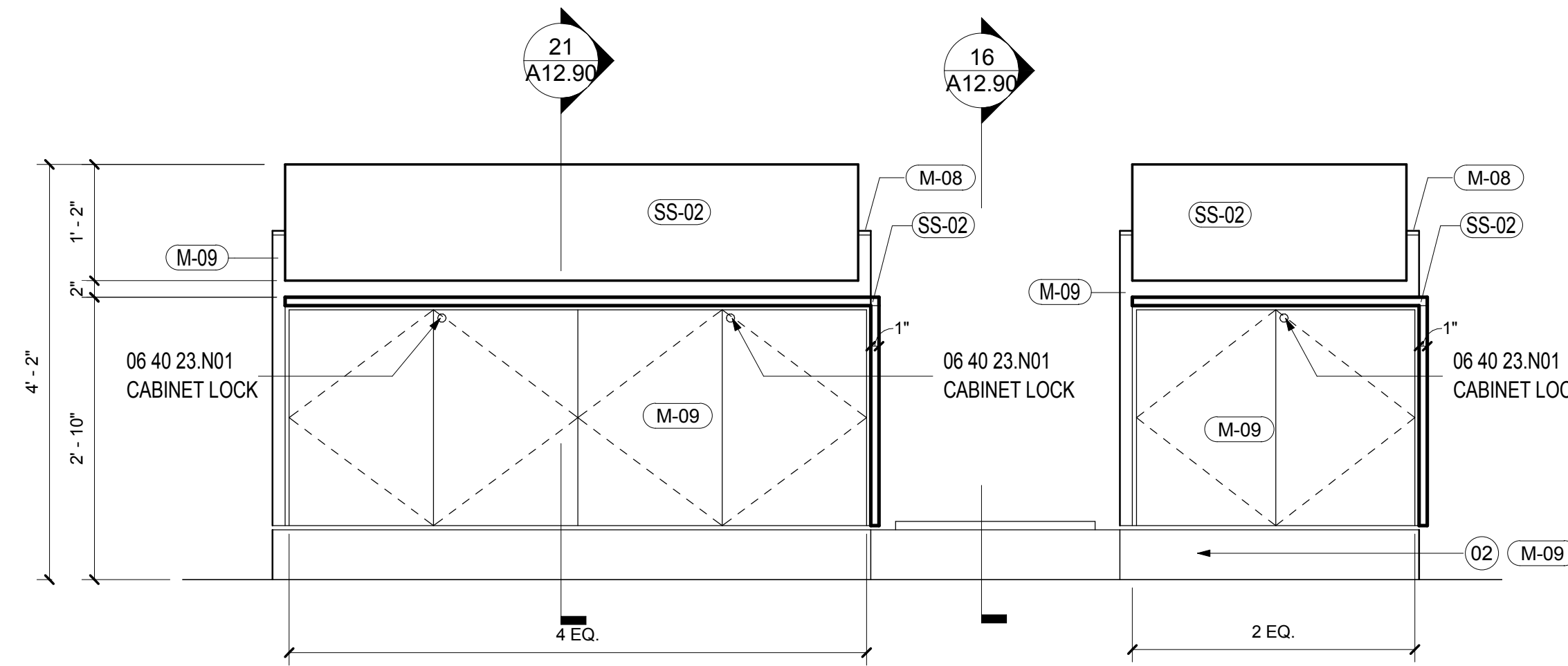
SSD COUNTER PLAN 8
SCALE: 3/4" = 1'-0" A02.02.05



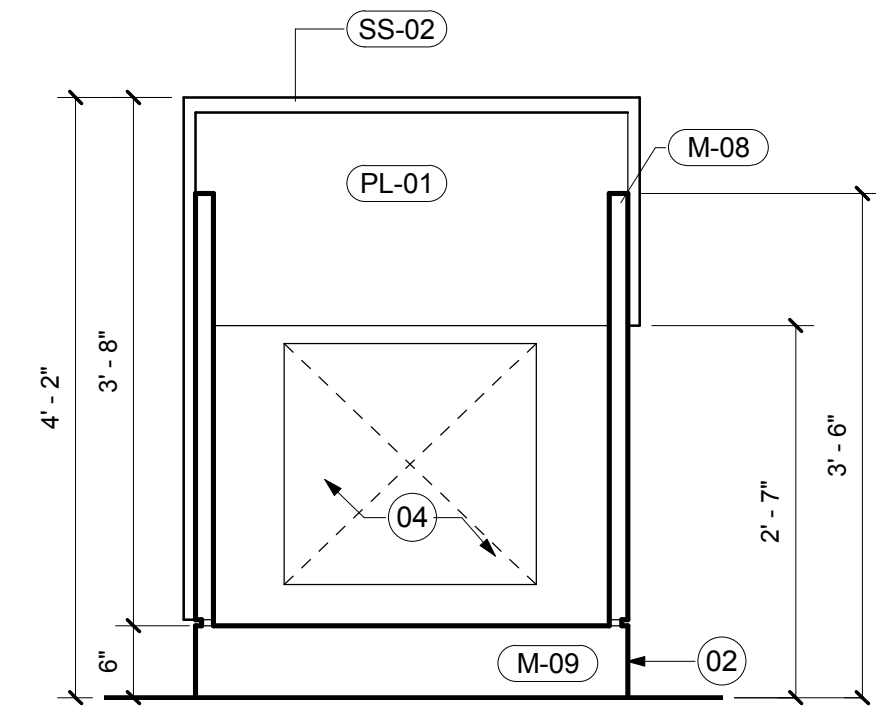
TICKET COUNTER PLAN 2
SCALE: 3/4" = 1'-0" A02.02.05



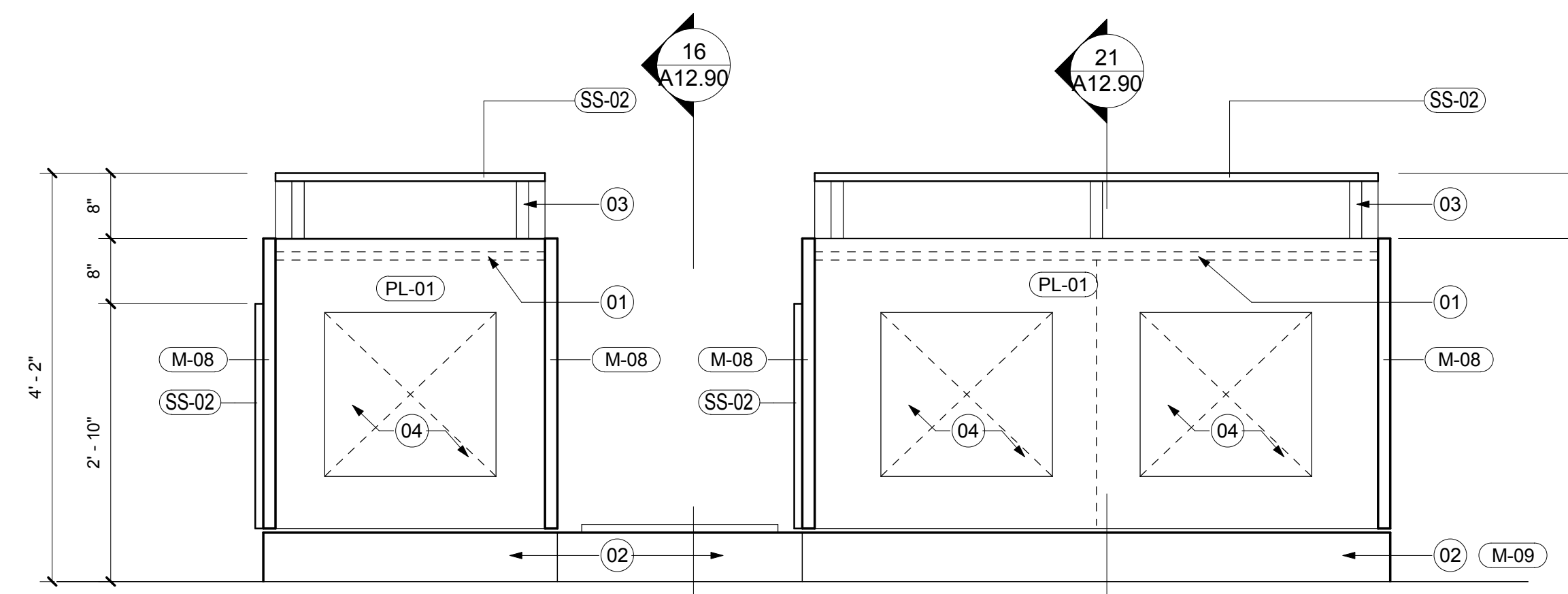
SSD COUNTER ELEV. - FRONT 9
SCALE: 3/4" = 1'-0" A12.90



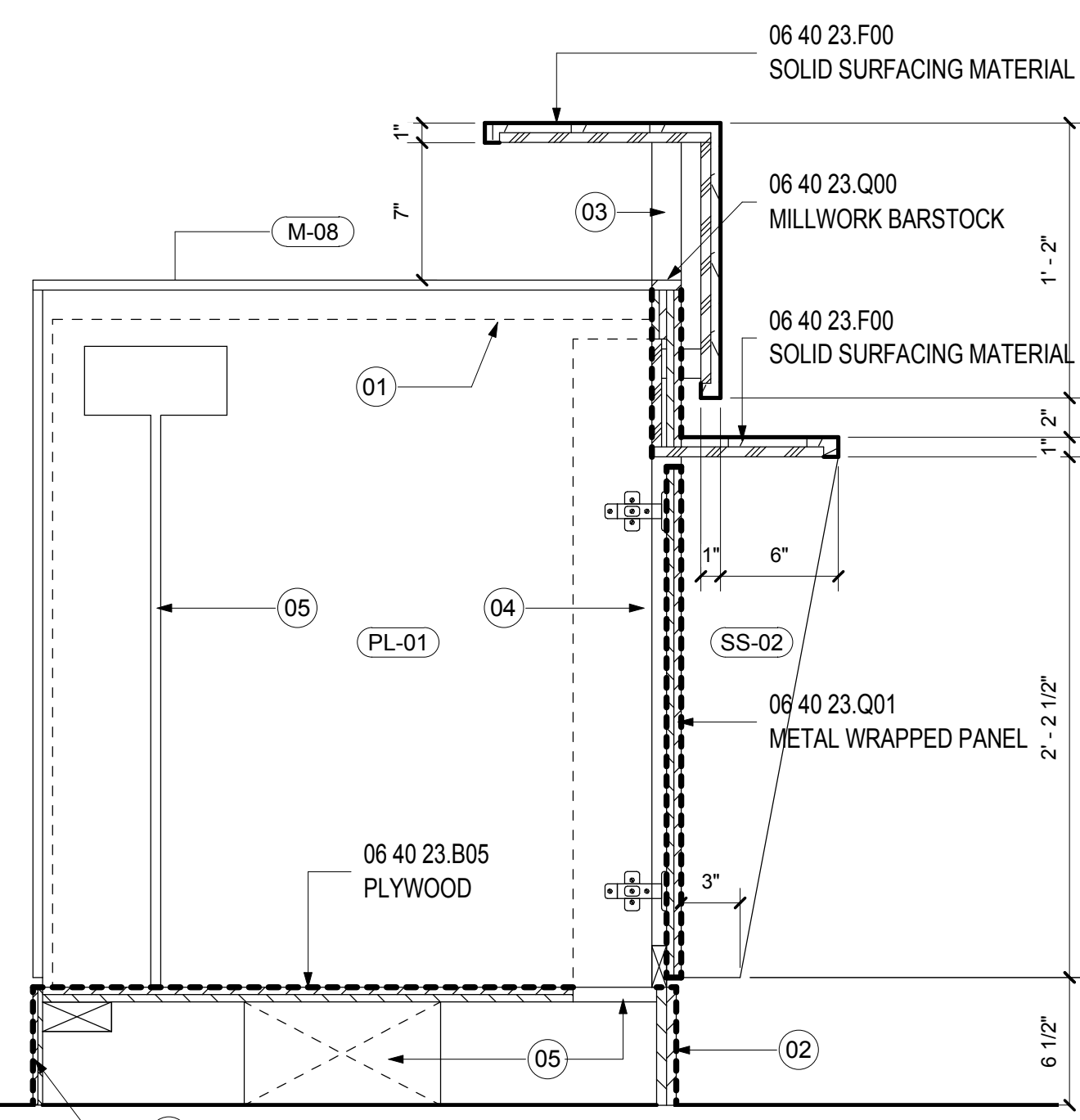
TICKET COUNTER ELEV. - FRONT 3
SCALE: 3/4" = 1'-0" A11.01



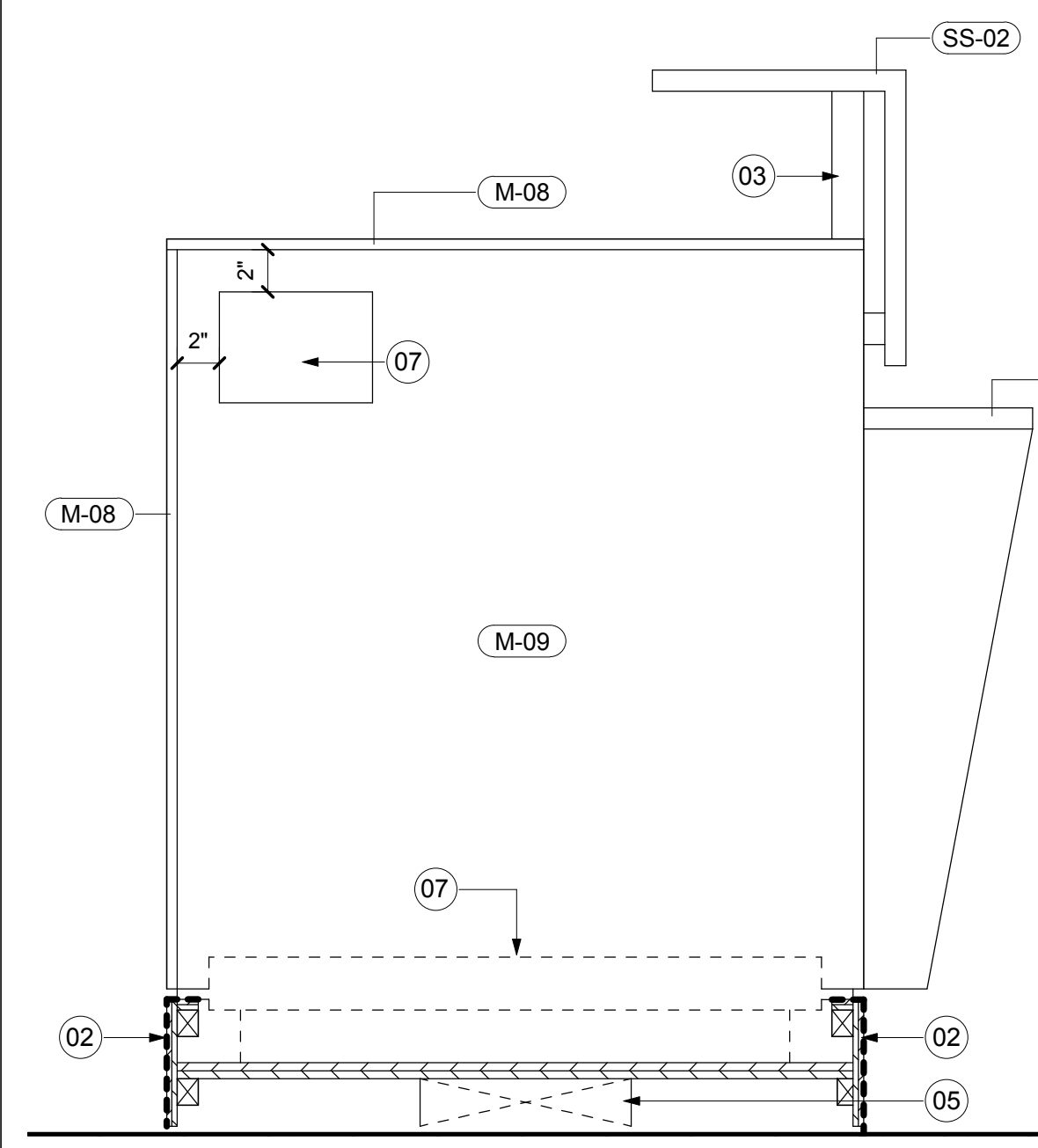
SSD COUNTER ELEV. - BACK 10
SCALE: 3/4" = 1'-0" A12.90



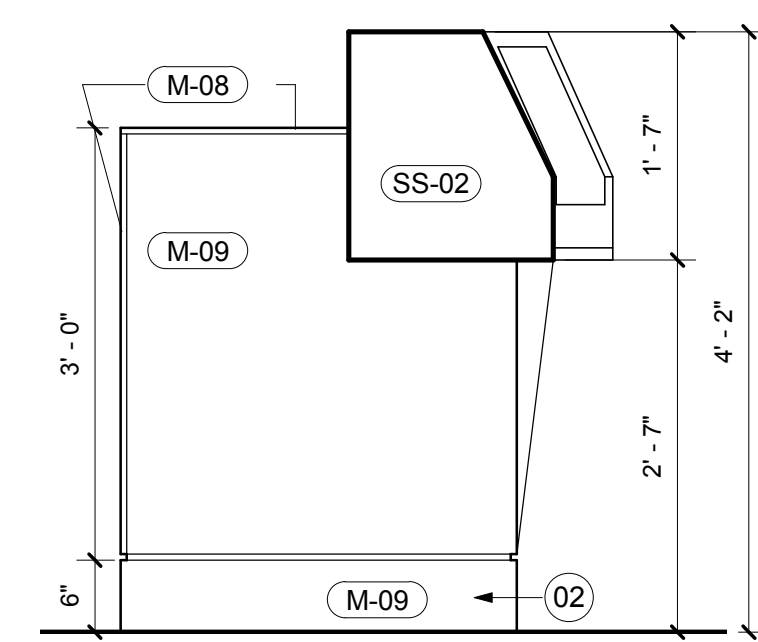
TICKET COUNTER ELEV. - BACK 4
SCALE: 3/4" = 1'-0" A12.90



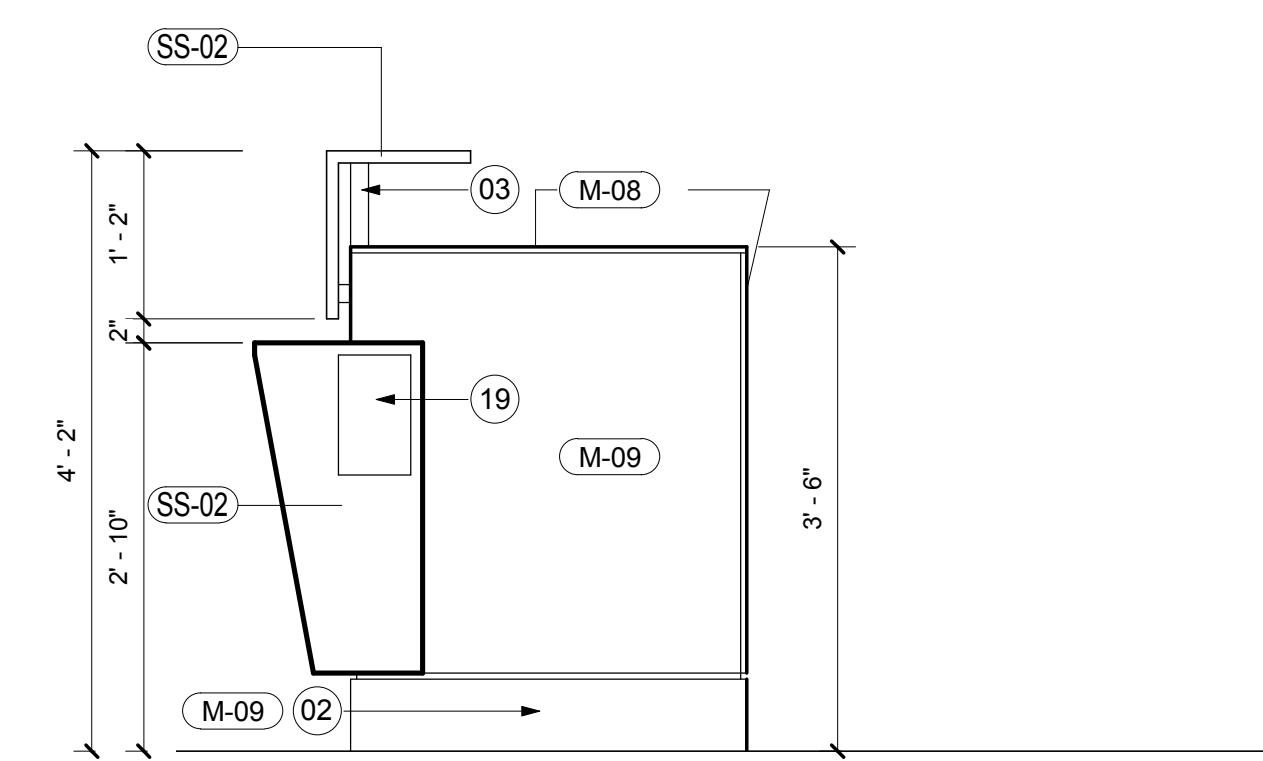
TICKET COUNTER SECTION 21
SCALE: 1 1/2" = 1'-0" A12.90



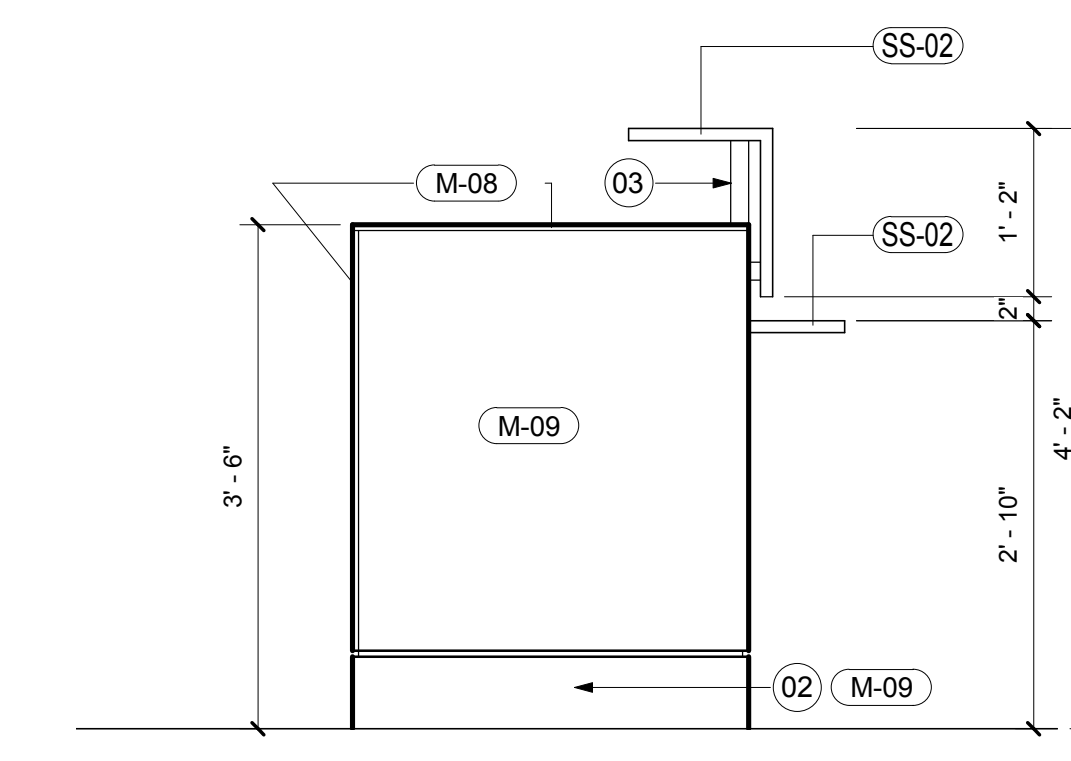
BAGWELL SECTION 16
SCALE: 1 1/2" = 1'-0" A12.90



SSD COUNTER ELEV. - SIDE 11
SCALE: 3/4" = 1'-0" A12.90



TICKET COUNTER ELEV. - SIDE 6
SCALE: 3/4" = 1'-0" A12.90



TICKET COUNTER ELEV. - SIDE 5
SCALE: 3/4" = 1'-0" A12.90

SHEET NOTES

- 01 AIR CARRIER STANDARD MILLWORK INSERT. CONTRACTOR TO PROVIDE AND VERIFY DIMENSIONS AND CONFIGURATION PRIOR TO FABRICATION
- 02 RUN METAL BASE CONTINUOUS TO MINIMIZE JOINTS
- 03 METAL SUPPORT AS REQUIRED; PAINTED P-01
- 04 COORDINATE EXTENT OF REQUIRED BACKWALL WITH AIR CARRIER'S EQPT/MILLWORK INSERTS
- 05 PROVIDE CUT OUT FOR CONCEALED ELECTRICAL DISTRIBUTION. COORDINATE MOUNTING AND ROUTING OF ELECTRICAL AND DATA.
- 06 AIR CARRIER PROVIDED EQUIPMENT. CONTRACTOR TO PROVIDE AND VERIFY DIMENSIONS AND CONFIGURATION PRIOR TO FABRICATION
- 07 SCHEDULED EQUIPMENT. REFER TO A03 SERIES AND PROJECT MANUAL FOR ADDITIONAL INFORMATION
- 08 MILLWORK DOOR TO SWING INDEPENDENTLY OF METAL FRAME. HINGES AND MAGNETIC CATCH LATCH TO BE HIDDEN.
- 09 METAL TUBE FRAMING AND CONNECTION TO BE DESIGNED, SIGNED AND SEALED AS PART OF MILLWORK PACKAGE
- 10 STEEL BASE PLATE SHALL NOT EXTEND PAST MILLWORK BASE
- 11 PROVIDE SLOT(S) FOR VENTILATION
- 12 FLIGHT INFORMATION DISPLAY SYSTEM. COORDINATE MOUNTING AND P&C. REFER TO TELECOMMUNICATION DRAWINGS FOR ADDITIONAL INFORMATION. NO EXPOSED WIRES
- 13 STRUCTURAL STEEL: REFER TO STRUCTURAL DRAWINGS FOR ADDITIONAL INFORMATION
- 14 CONCEAL POWER AND DATA CABELING WITHIN STRUCTURAL STEEL
- 15 STAINLESS STEEL FOOTREST
- 16 3MM PVC EDGE TO MATCH ADJACENT PLAM
- 17 METAL ENCLOSURE PAINTED P-02
- 18 STAINLESS STEEL PULL
- 19 FAA REQUIRED SIGNAGE; REFER TO SIGNAGE AND WAYFIND DRAWINGS. COORDINATE MOUNTING AND RECESS DEPTH PRIOR TO FABRICATION
- 20 TSA PROVIDED LIGHT FIXTURE. COORDINATE ELECTRICAL WIRE ROUTING AND MOUNTING.
- 21 COORDINATE DEPTH WITH SELECTED SCREEN AND MOUNTING BRACKET
- 22 SELF SERVICE DEVICE (SSD) PROVIDED BY OTHERS. MILLWORKER TO COORDINATE OPENING DIMENSIONS AND WIRING ACCESS
- 23 PERFORATED ACCESS PANEL TO ALLOW ACCESS TO CPU DRIVER. COORDINATE WITH SCHEDULED EQUIPEMENT AND MOUNTING BRACKET
- 24 COORDINATE HEIGHT WITH AIRLINE EQUIPMENT

GENERAL NOTES

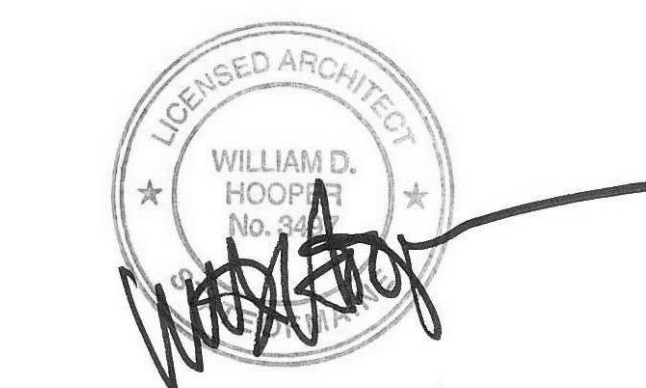
- A COORDINATE ALL CLEAR WIDTHS WITH AIRLINE'S EQPT./MILLWORK INSERTS PRIOR TO FABRICATION.
- B ALL CABINET INTERIORS TO BE PL-01 U.O.N
- C REFER TO EQUIPMENT SCHEDULE IN PROJECT MANUAL APPENDIX A.
- D EASE ALL EXPOSED STAINLESS STEEL BARSTOCK EDGES

Portland International Jetport
1001 Westbrook Street
Portland, Maine 04102

Gensler
2020 K Street, Northwest
Suite 200
Washington, DC 20006
Telephone 202.721.5200
Facsimile 202.872.8587

Issue	Date & Issue Description	By	Check
01	01/22/09		
02	95% CONSTRUCTION DOCUMENTS		
02	10/26/09		
	ISSUED FOR PERMIT		

Seal/Signature



Project Name
PWM Terminal Enhancement

Project Number
09 6395.000

Description
MILLWORK DETAILS

Scale
As indicated

A12.90

© 2009 Gensler