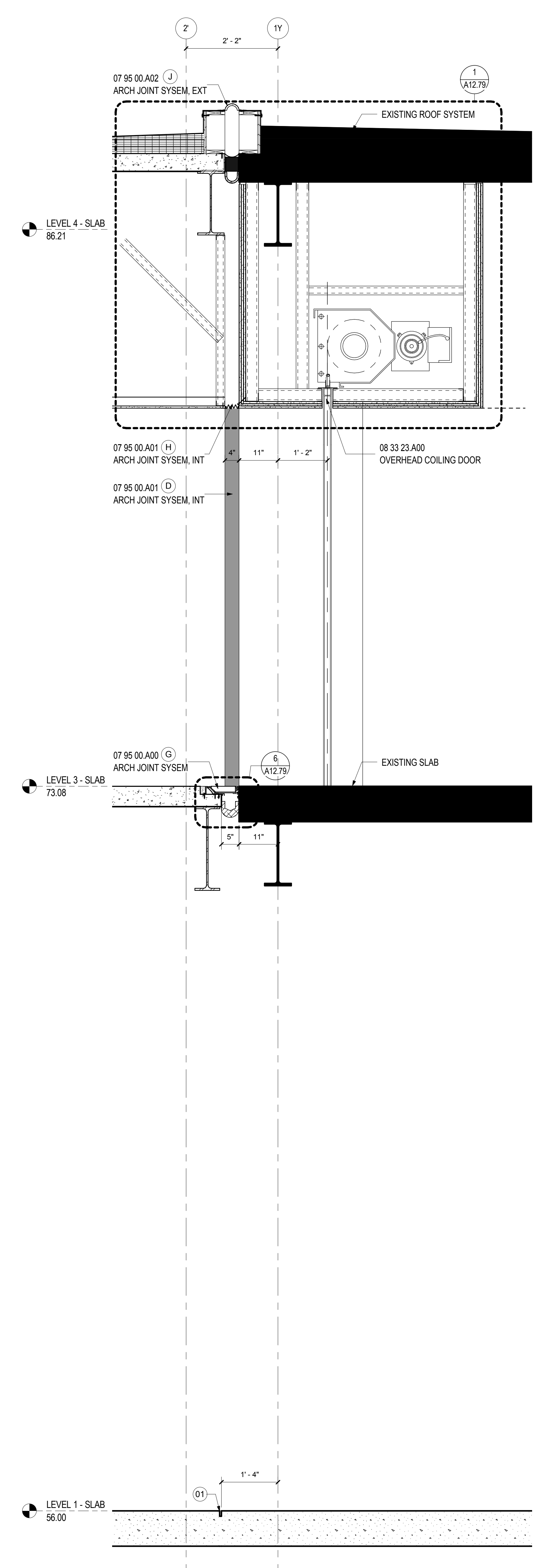


SHEET NOTES

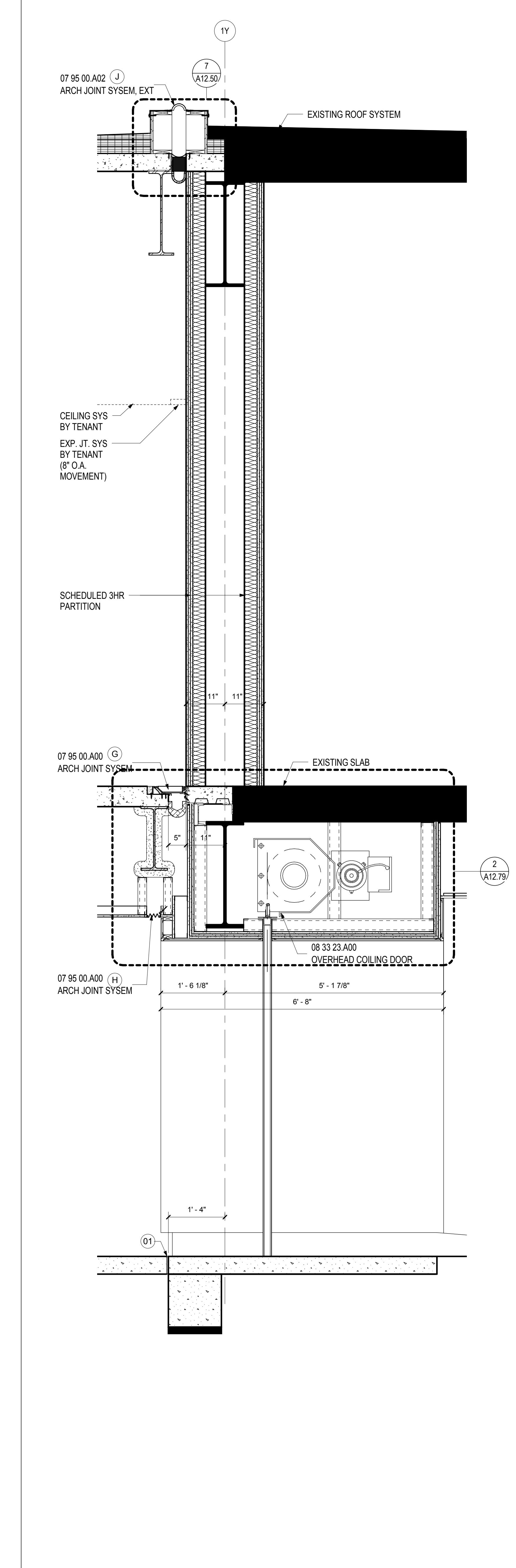
01 CONTRACTION/CONSTRUCTION JOINT. RE: STRUCTURAL DRAWINGS FOR MORE INFORMATION.

Portland International Jetport
 1001 Westbrook Street
 Portland, Maine 04102

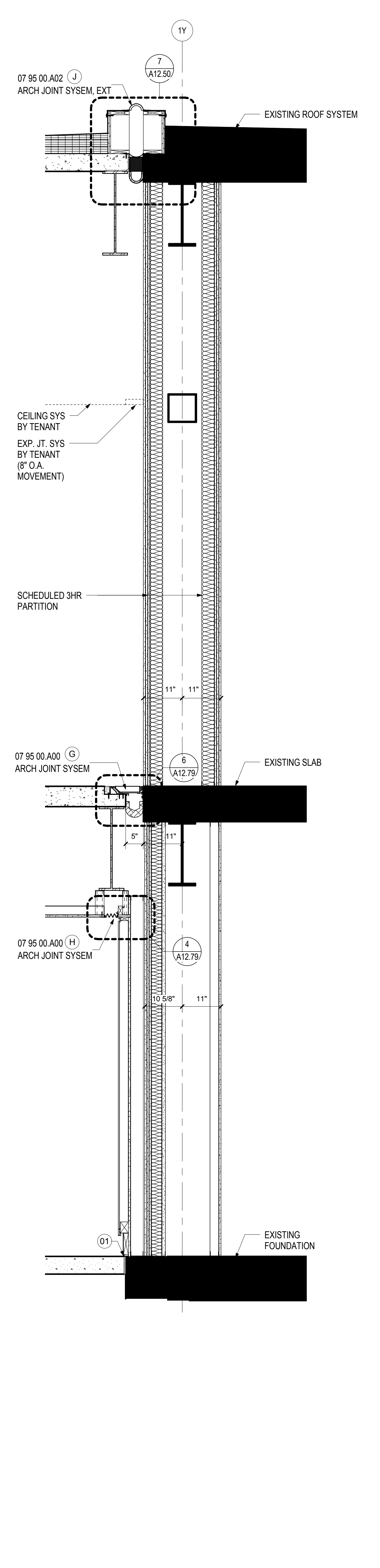
Gensler
 2020 K Street, Northwest
 Suite 200
 Washington DC 20006
 Telephone 202.721.5200
 Facsimile 202.872.8587



WALL SECTION AT WALL 1Y - LEVEL 3
 SCALE: 3/4" = 1'-0" A02.01.04



WALL SECTION AT RAMP 1Y- LVL 2
 SCALE: 3/4" = 1'-0" A02.02.04



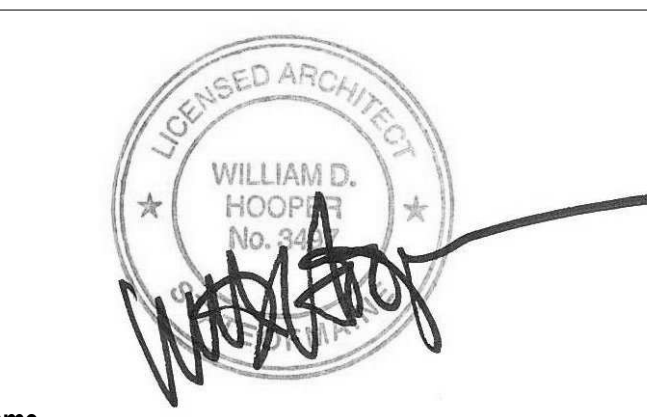
WALL SECTION AT WALL 1Y-LVL 2
 SCALE: 3/4" = 1'-0" A02.02.04

EXPANSION JOINTS

- (A) MODEL: SEISMIC COLORSEAL 4" (COLOR: BRONZE) MFG: EMSEAL
- (B) MODEL: FWS 400 (COLOR: GRAY) MFG: C/S GROUP
- (C) MODEL: FWS 400 MFX-4W FIRE BARRIER (COLOR: GRAY) MFG: C/S GROUP
- (D) MODEL: FWS 400 (COLOR: WHITE) MFG: C/S GROUP
- (E) MODEL: AFW 400 MFG: C/S GROUP
- (G) MODEL: SSRW-500 W/ FIRE BARRIER MFG: C/S GROUP
- (H) MODEL: FWSC-400 (COLOR: WHITE) MFG: C/S GROUP
- (J) MODEL: BRJ-400 W/ FIRE BARRIER MFG: C/S GROUP
- (K) MODEL: BRW-400 W/ FIRE BARRIER MFG: C/S GROUP

GENERAL NOTES

Issue	Date & Issue Description	By	Check
01	01/22/09		
02	95% CONSTRUCTION DOCUMENTS		
02	10/26/09		
	ISSUED FOR PERMIT		

Seal/Signature


Project Name
 PWM Terminal Enhancement

Project Number
 09.6395.000

Description
 WALL SECTIONS AT FIREWALL 1Y

Scale
 3/4" = 1'-0"

A12.77
 © 2009 Gensler