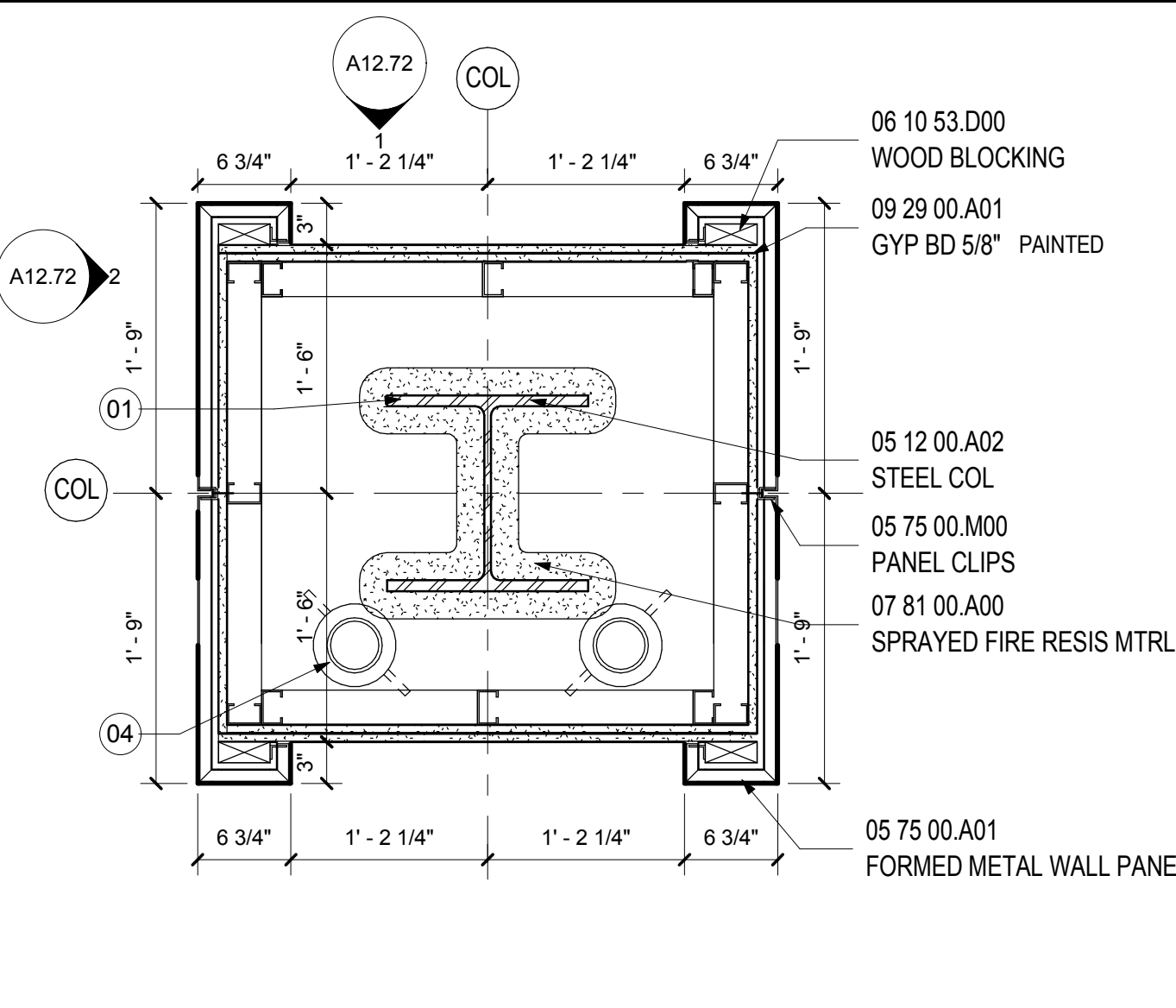
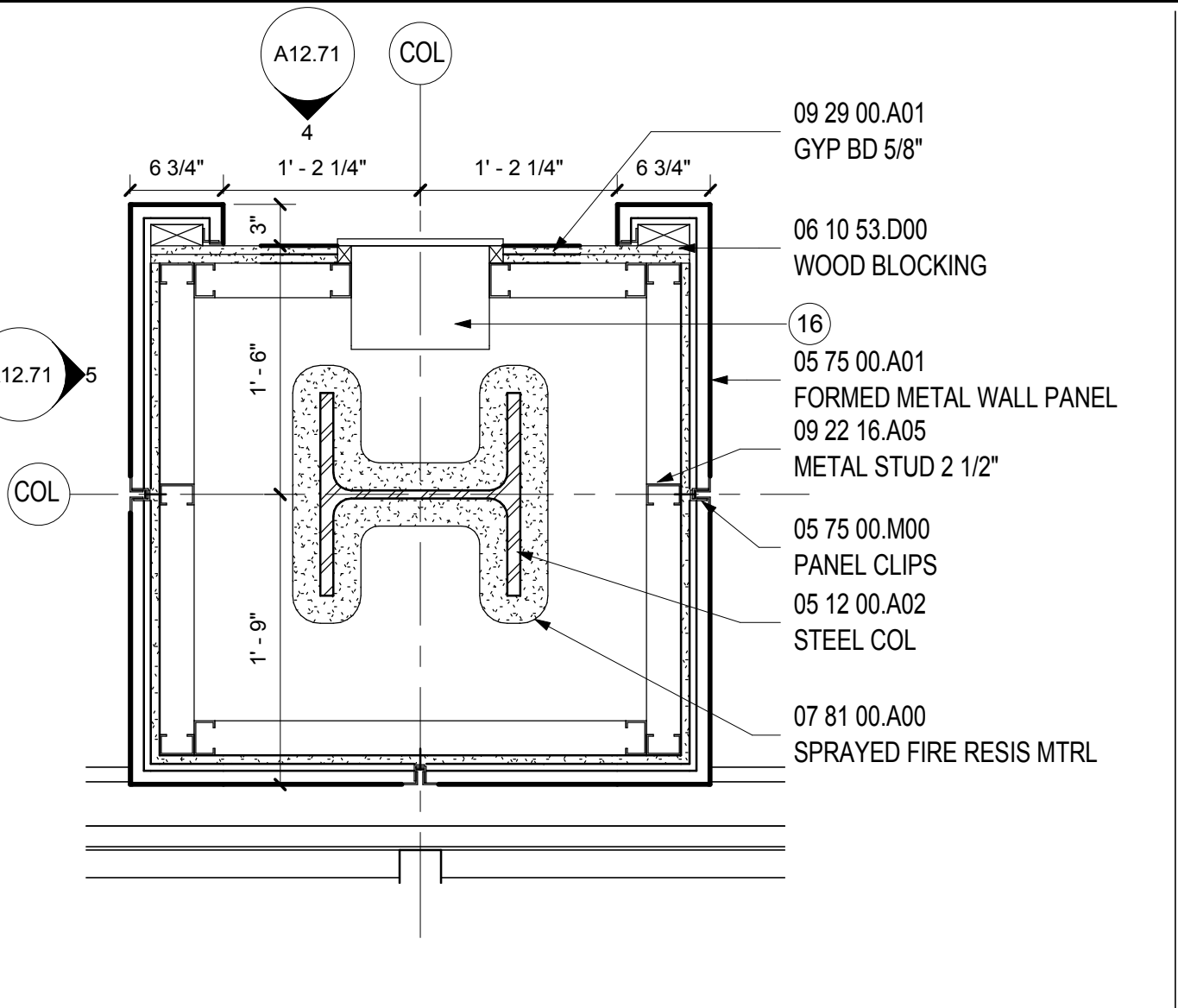


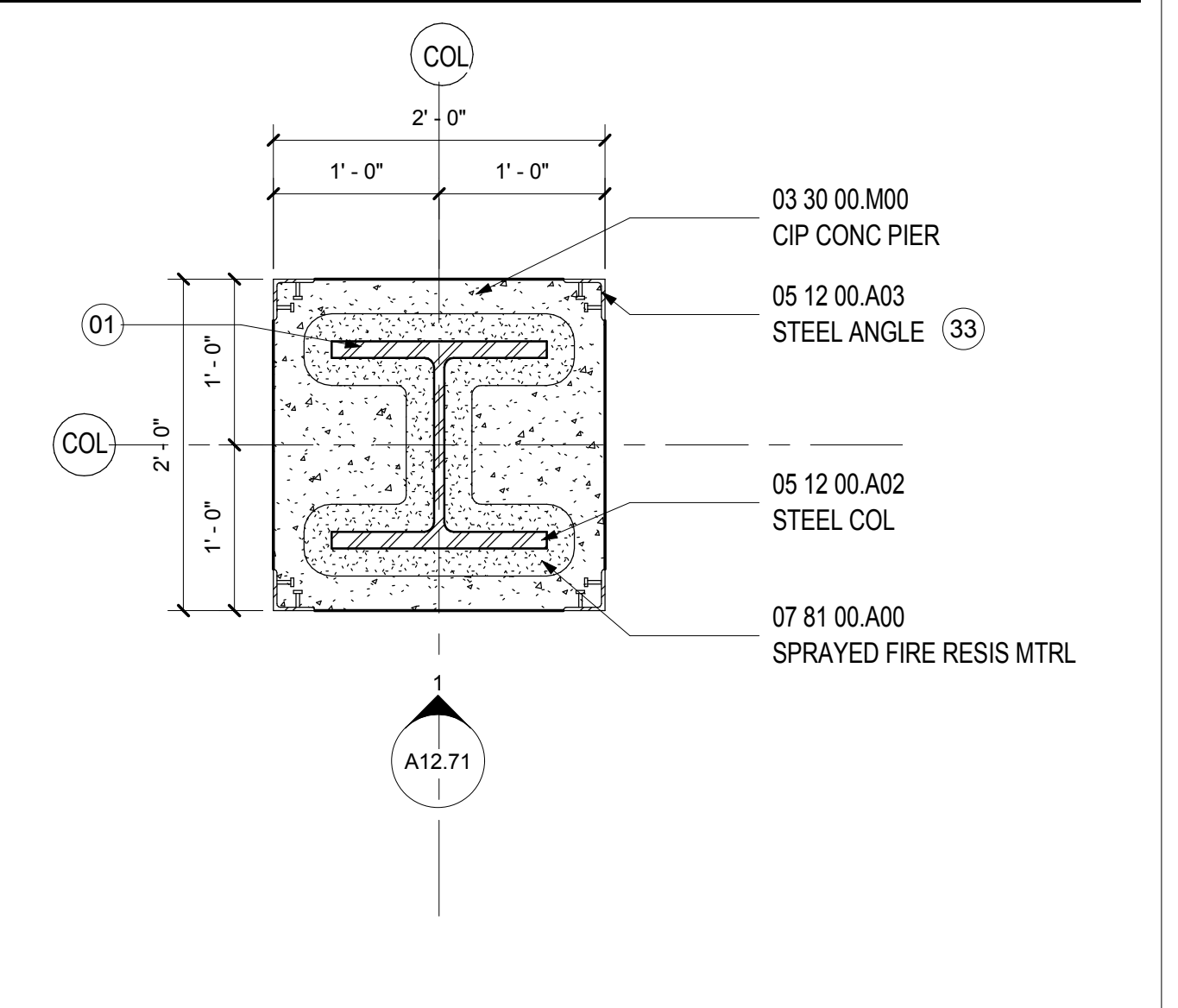
**COL @ CONCOURSE E. ON LVL 3**  
SCALE: 1" = 1'-0"  
A02.03.05 16



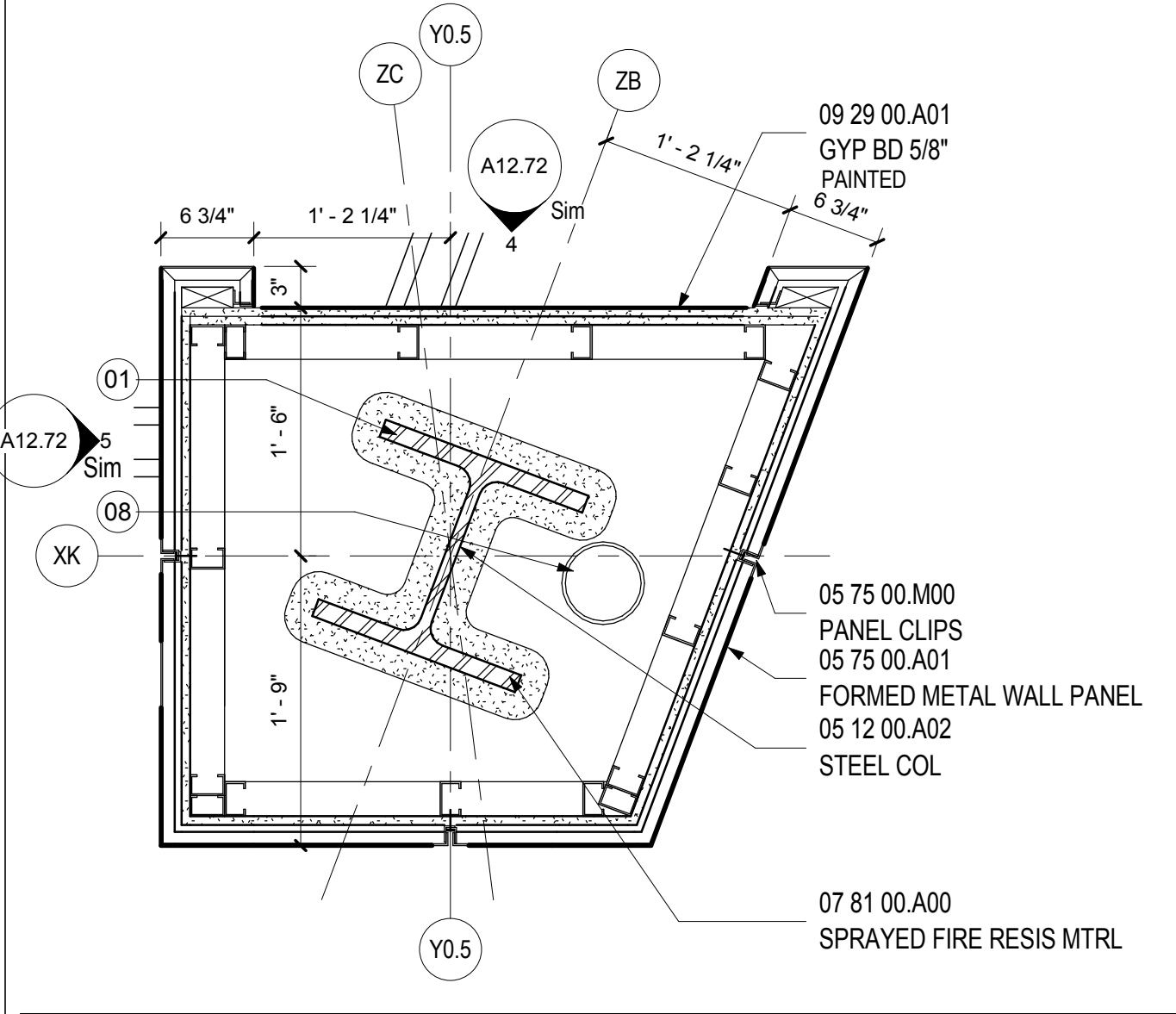
**TYP. COL @ HOLDROOM**  
SCALE: 1" = 1'-0"  
A02.02.03 11



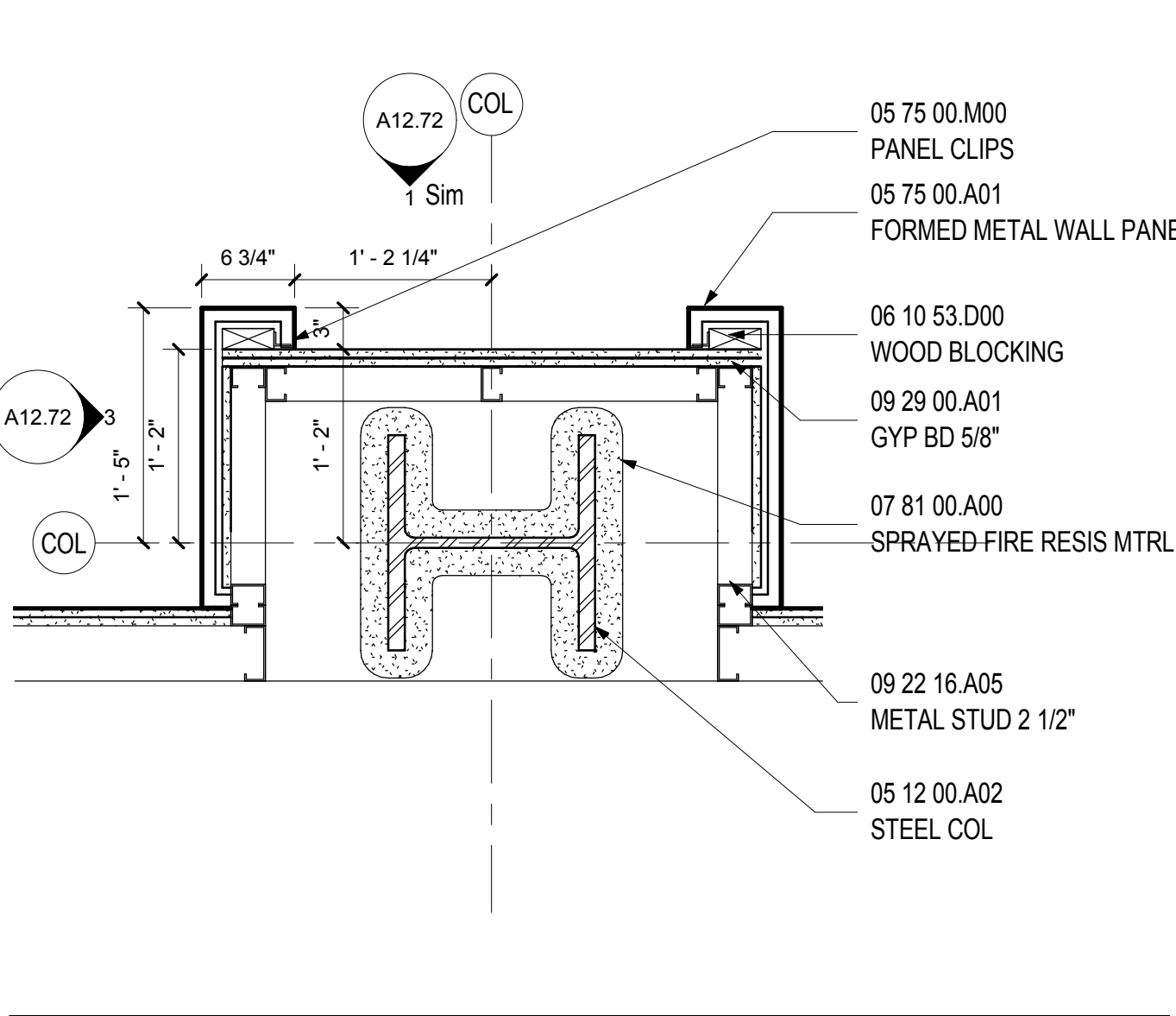
**TYP. COL @ TKT HALL**  
SCALE: 1" = 1'-0"  
A09.50 6



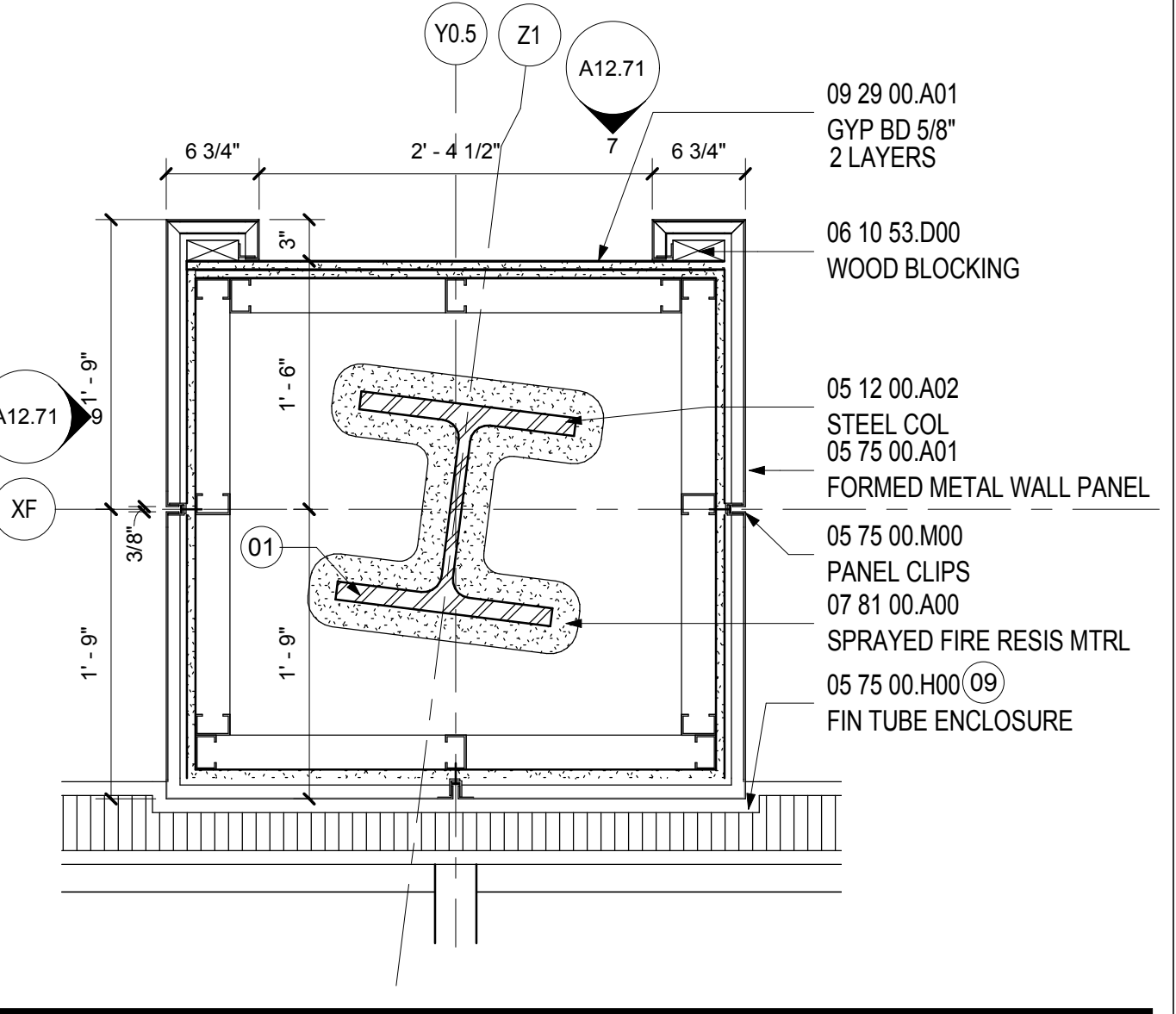
**COL @ BAGGAGE OUTBOUND**  
SCALE: 1" = 1'-0"  
A02.01.03 1



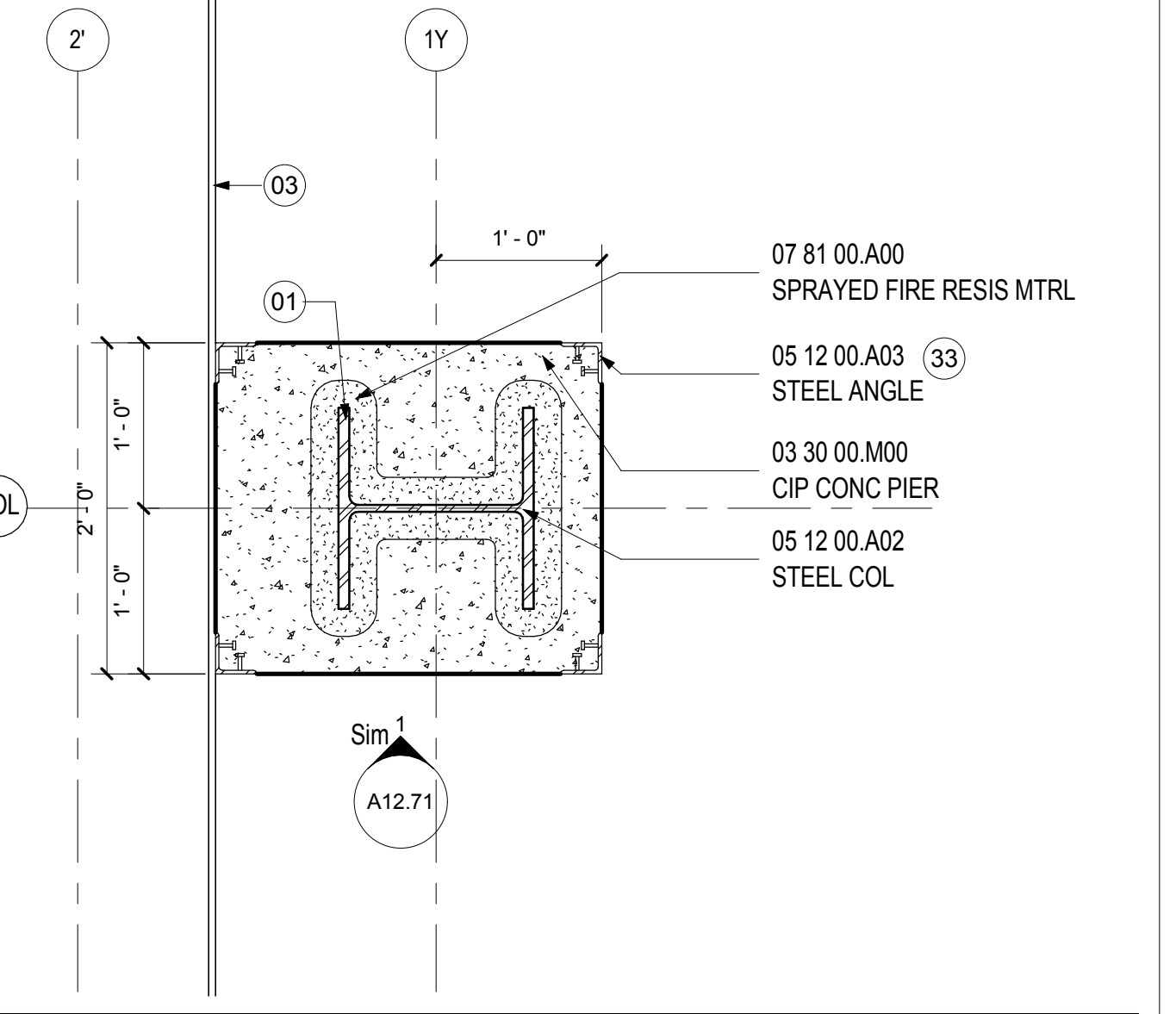
**COL @ CONCOURSE E. ON LVL 4**  
SCALE: 1" = 1'-0"  
A02.04.05 17



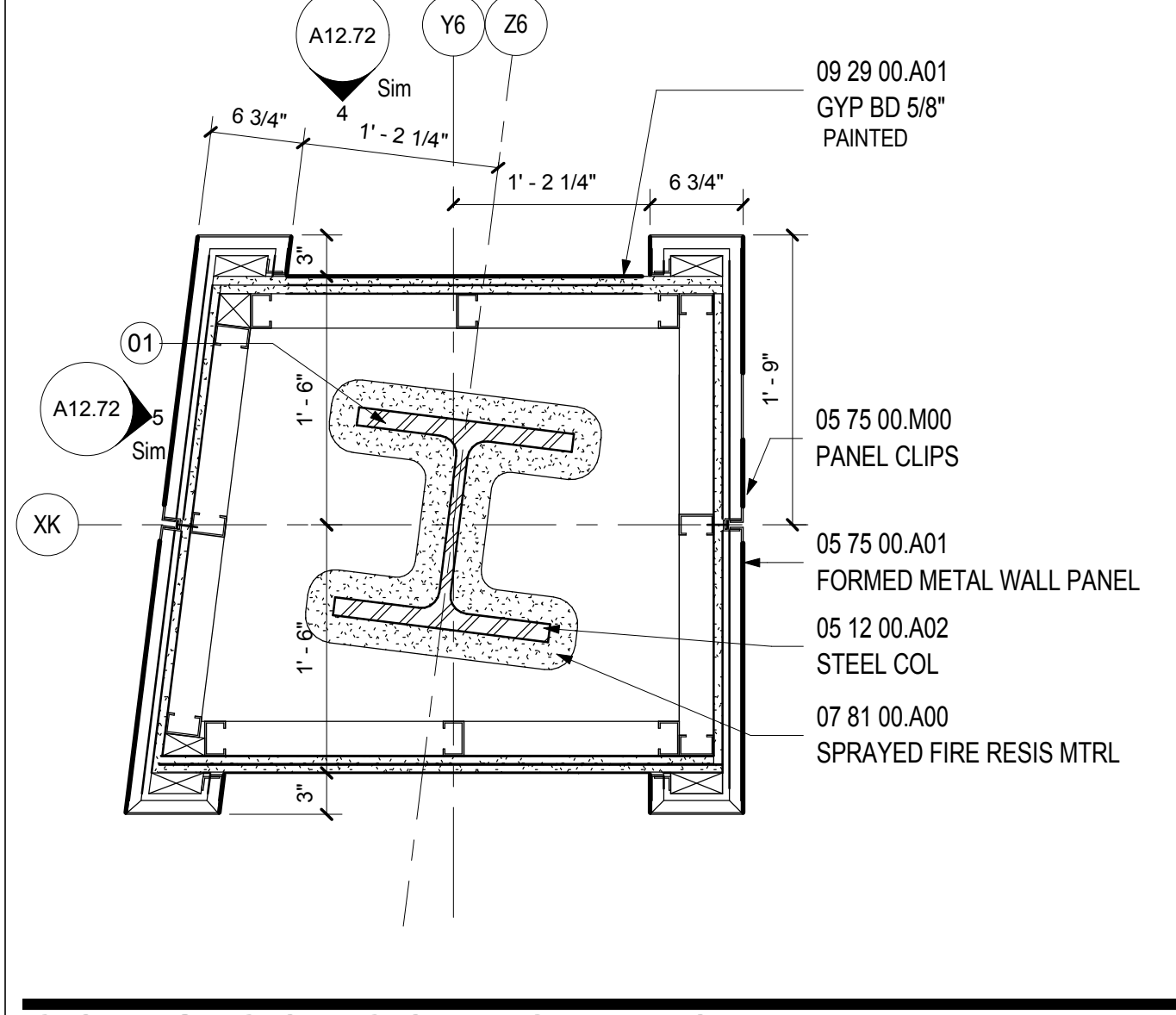
**COL @ HOLDROOM PERIMETER**  
SCALE: 1" = 1'-0"  
A09.63 12



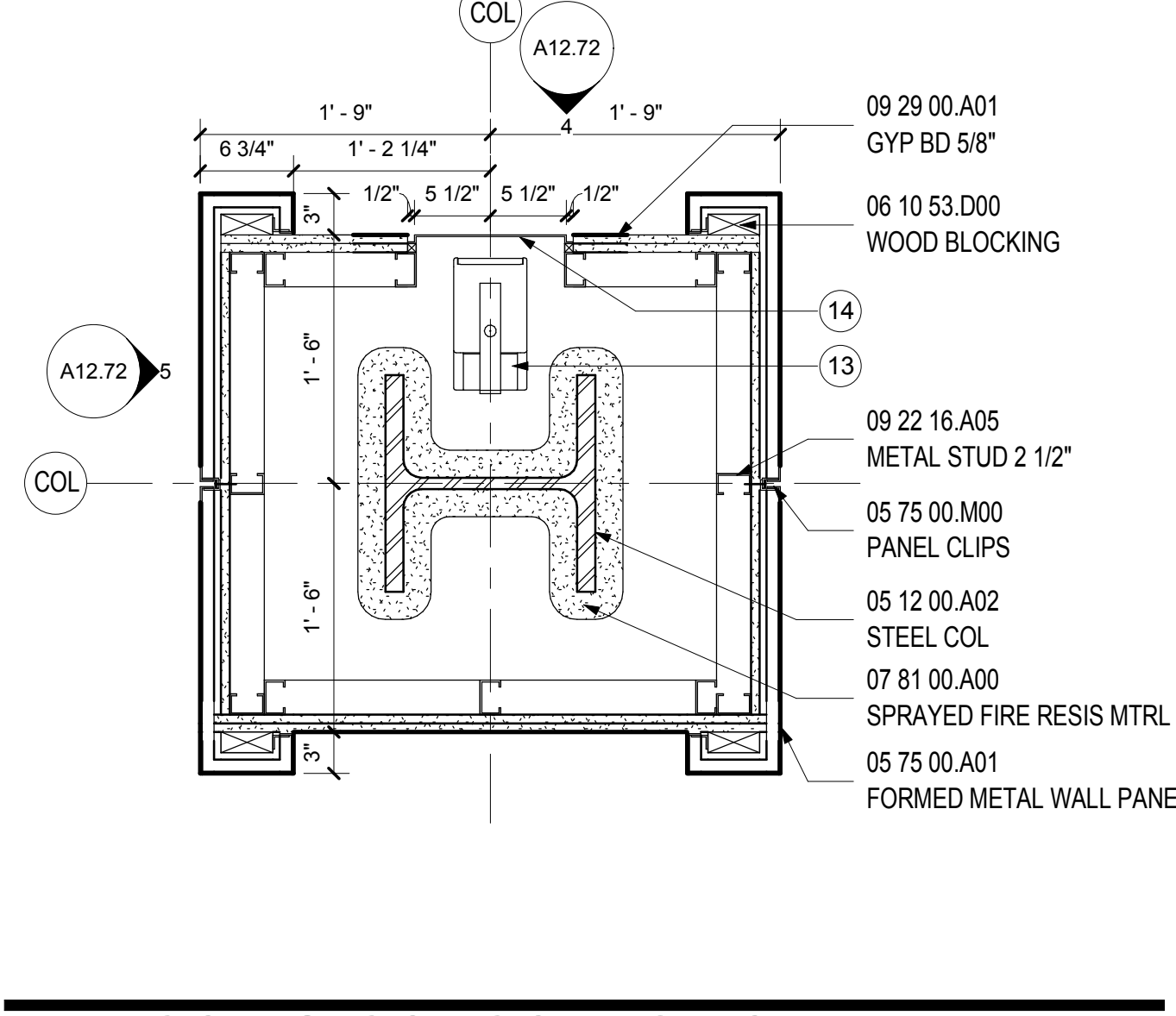
**COL @ TKT HALL**  
SCALE: 1" = 1'-0"  
A02.02.03 7



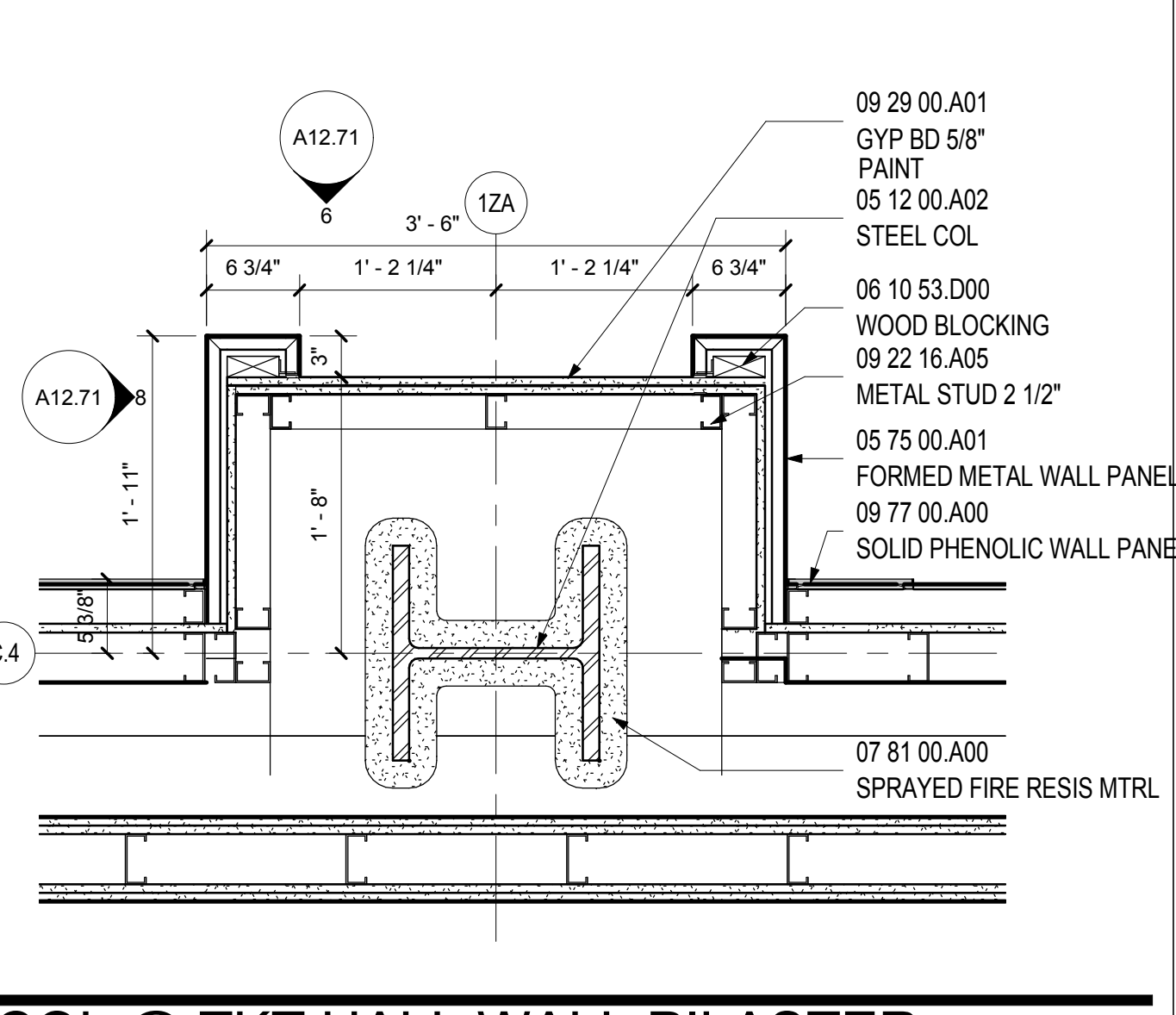
**COL @ BAG OUTBOUND EXP JT**  
SCALE: 1" = 1'-0"  
A02.01.04 2



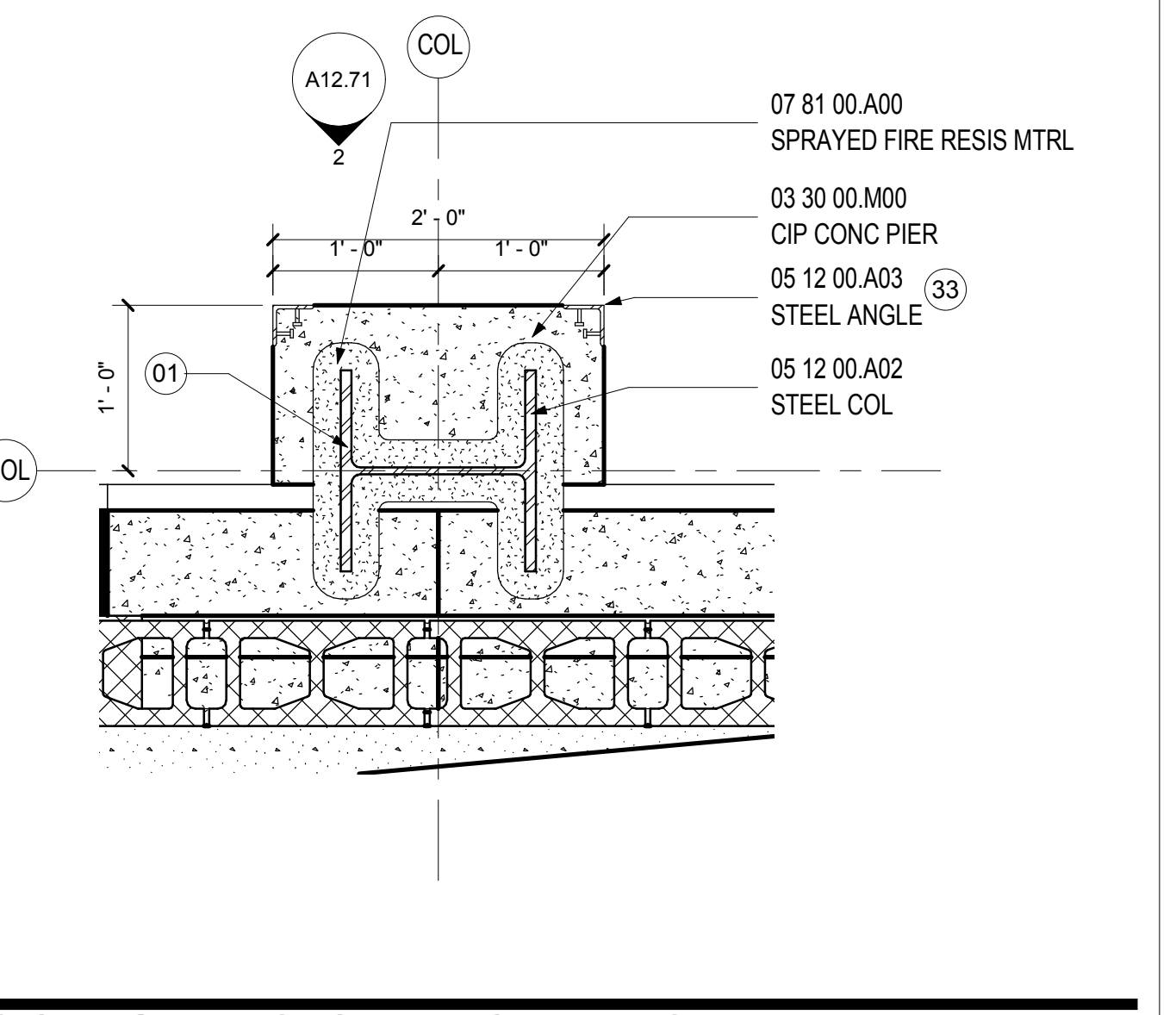
**COL @ CONCOURSE W ON LVL 3**  
SCALE: 1" = 1'-0"  
A02.03.05 18



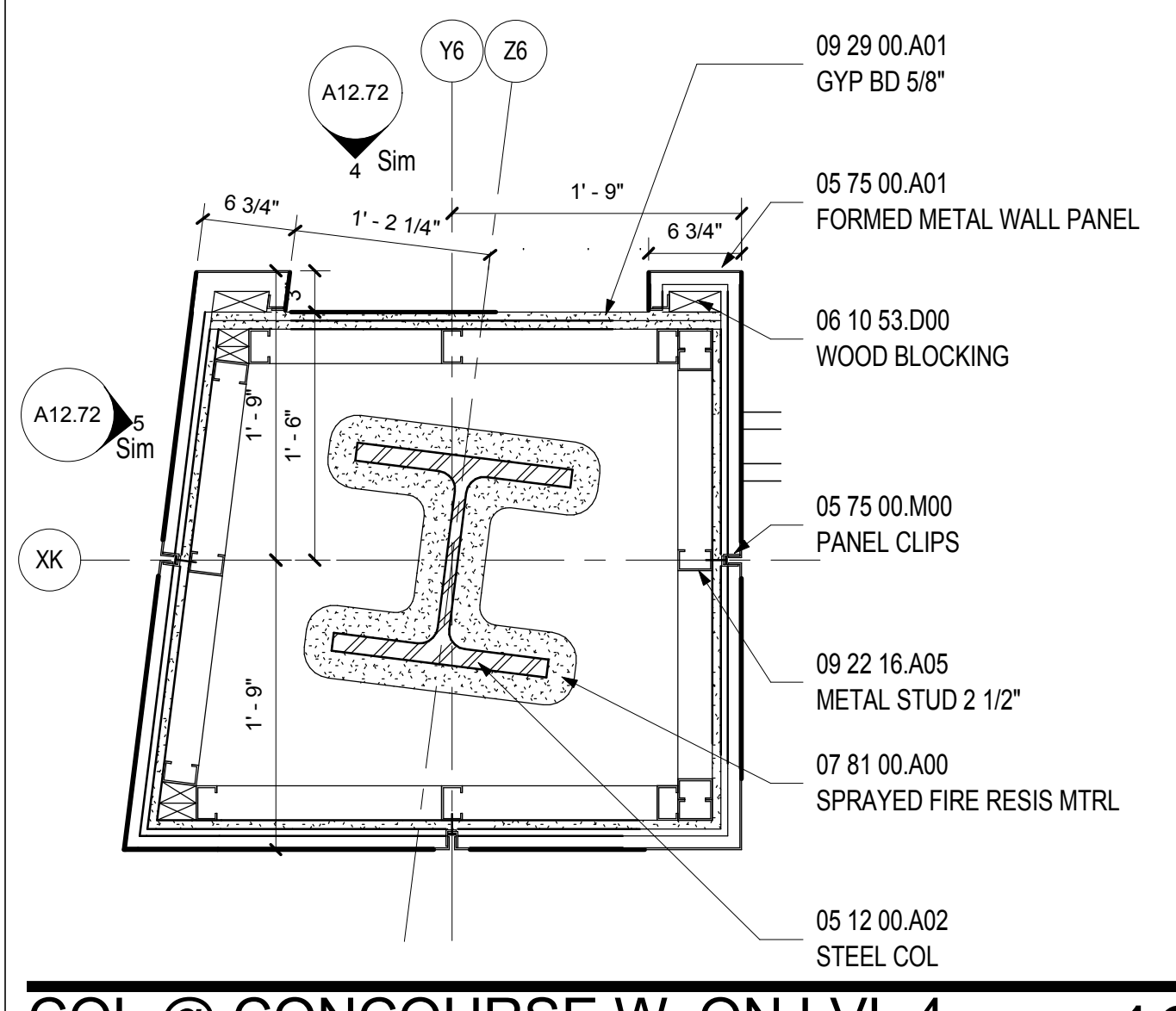
**TYP. COL @ CONCOURSE ON LVL 3**  
SCALE: 1" = 1'-0"  
A02.03.05 13



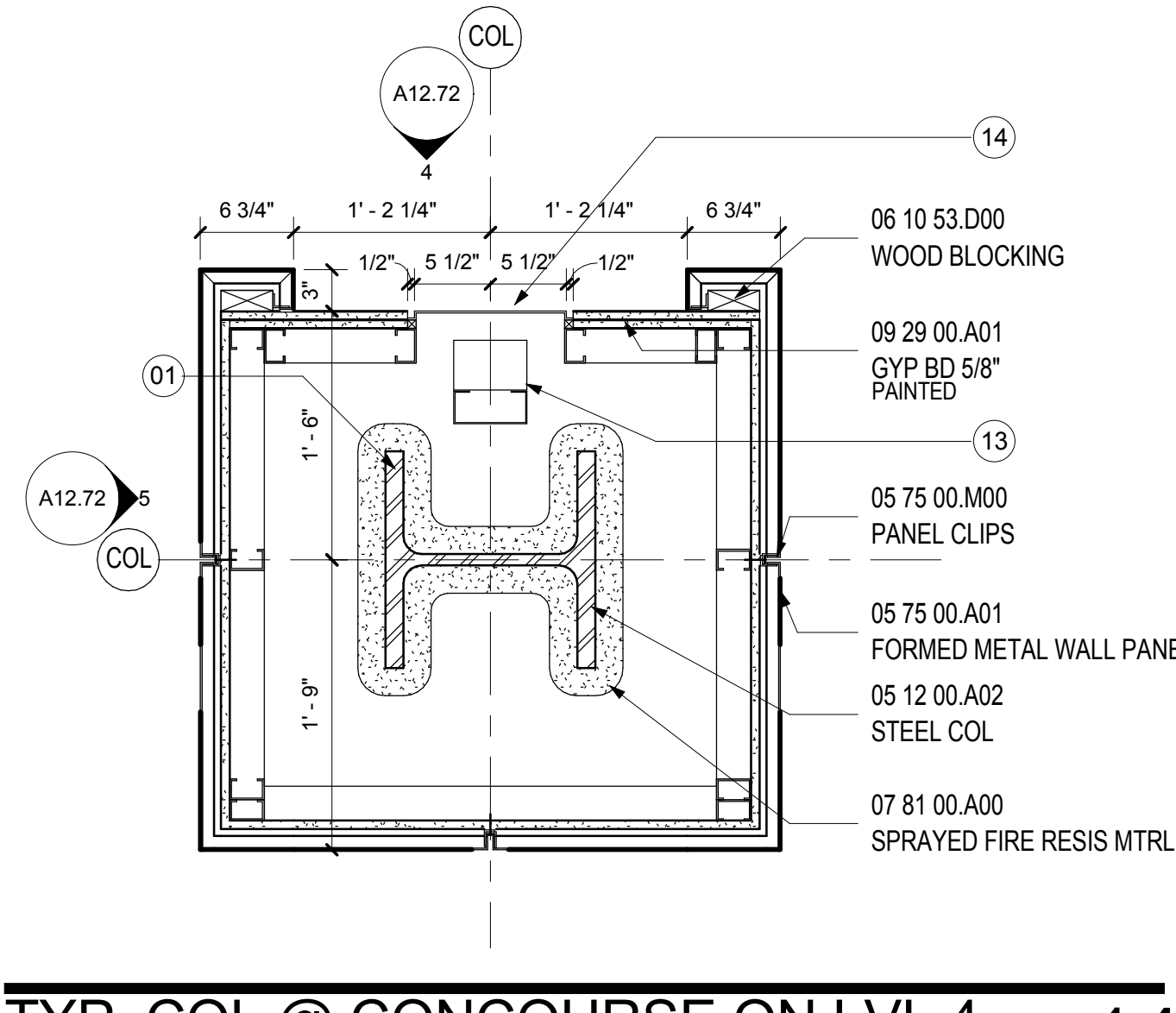
**COL @ TKT HALL WALL PILASTER**  
SCALE: 1" = 1'-0"  
A02.02.04 8



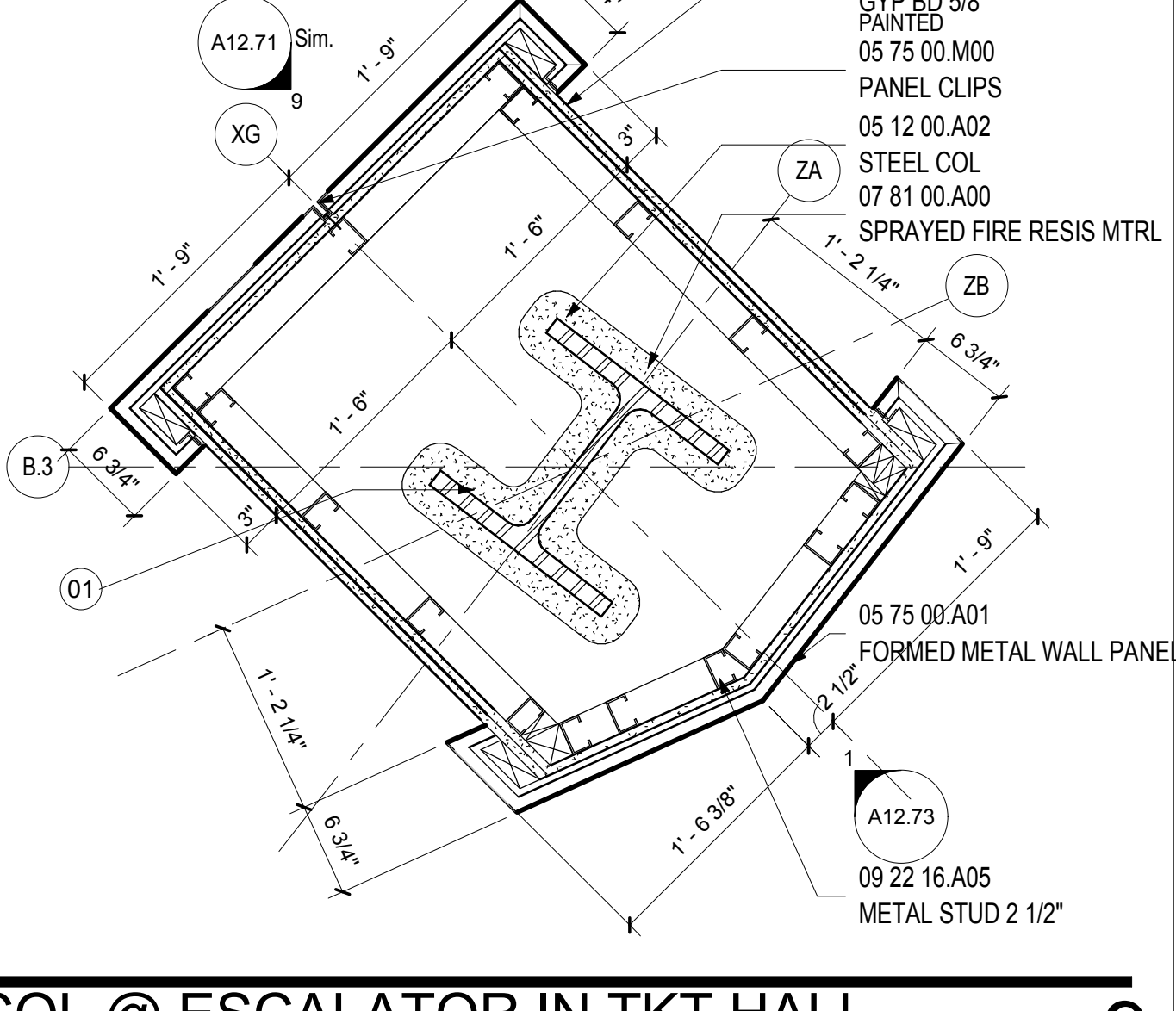
**COL @ BAG OUTBOUND S. WALL**  
SCALE: 1" = 1'-0"  
A02.01.05 3



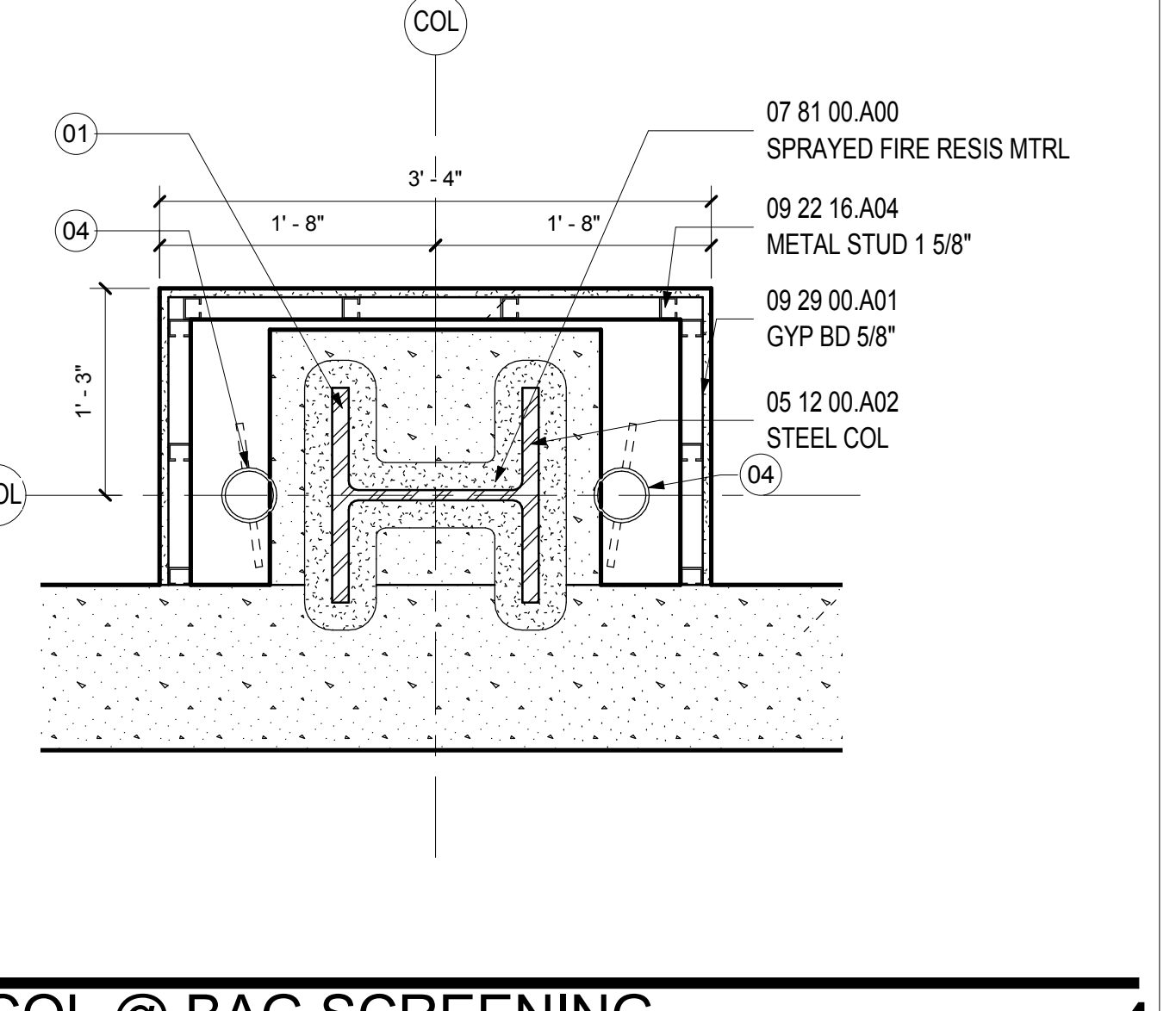
**COL @ CONCOURSE W. ON LVL 4**  
SCALE: 1" = 1'-0"  
A09.33 19



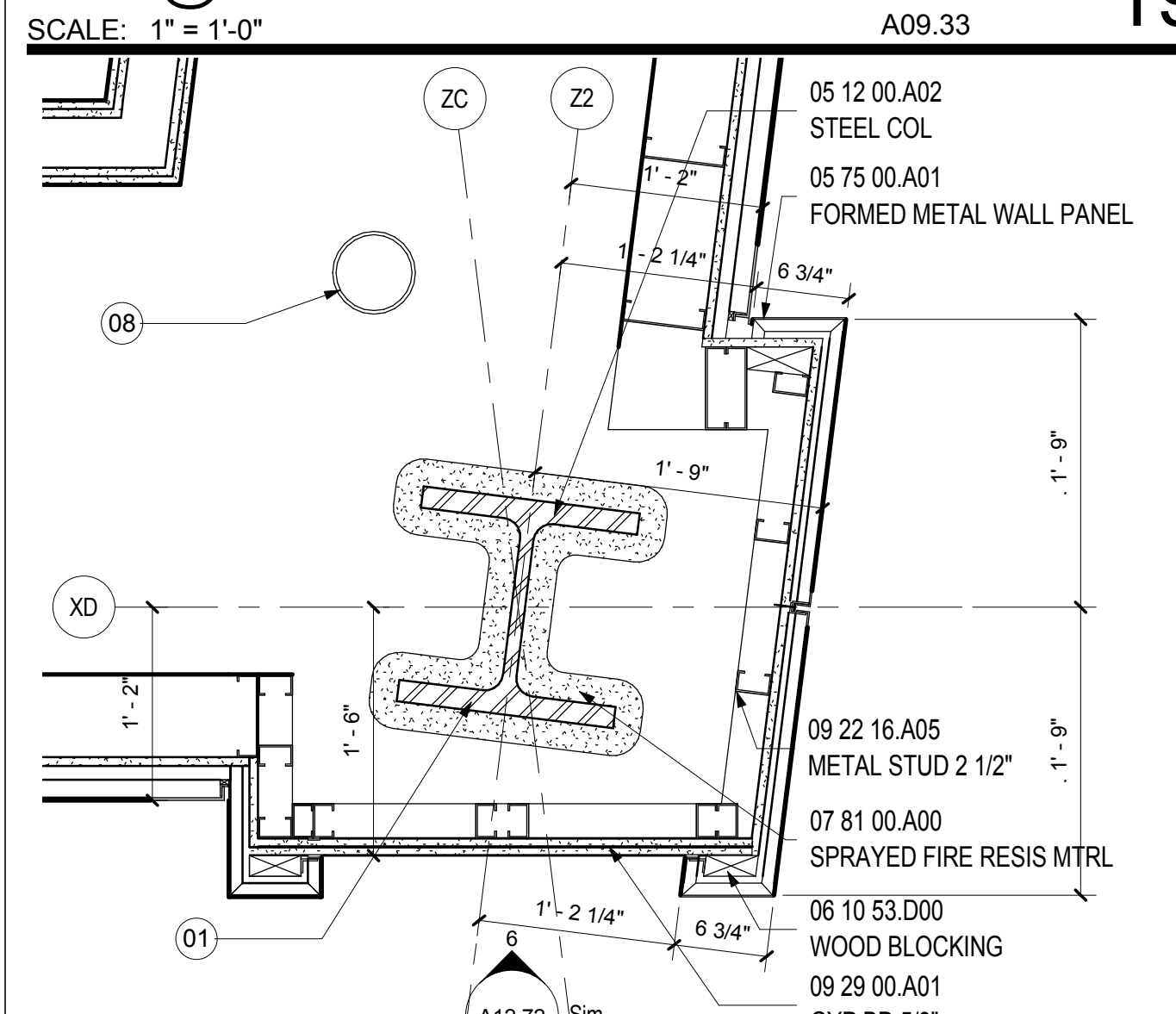
**TYP. COL @ CONCOURSE ON LVL 4**  
SCALE: 1" = 1'-0"  
A02.04.05 14



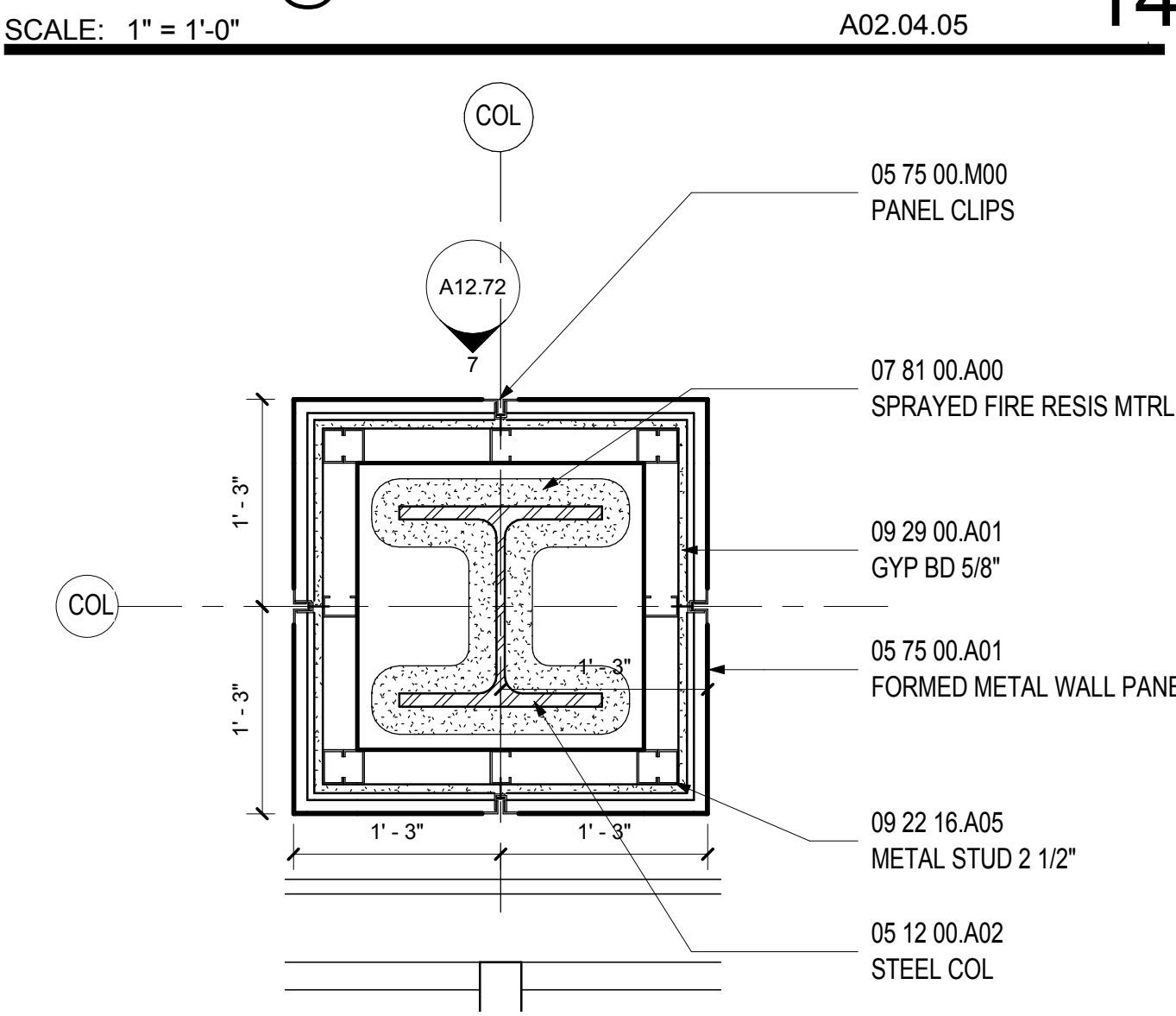
**COL @ ESCALATOR IN TKT HALL**  
SCALE: 1" = 1'-0"  
A02.02.04 9



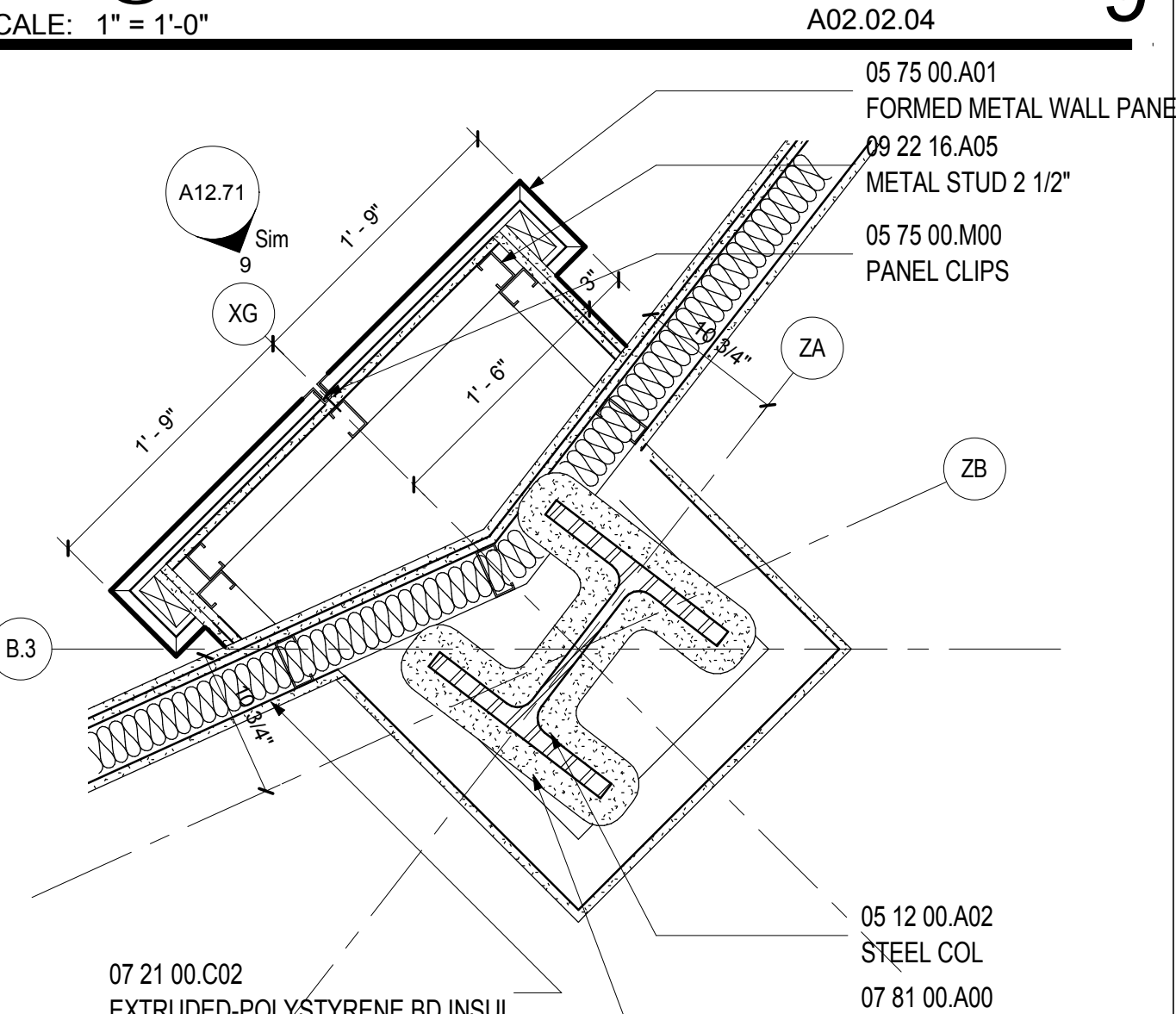
**COL @ BAG SCREENING**  
SCALE: 1" = 1'-0"  
A02.01.05 4



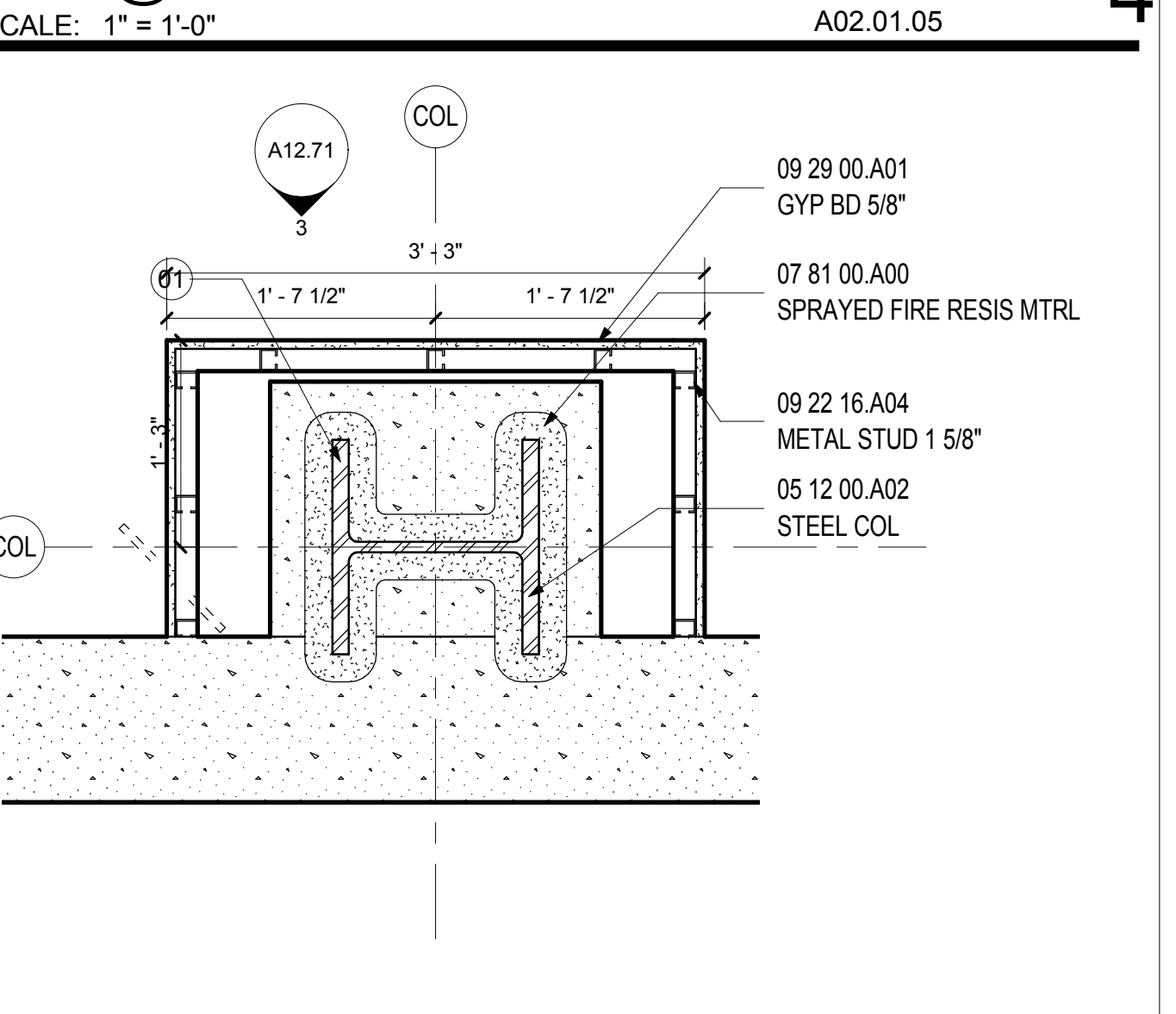
**COL @ SECURITY QUEUE N. WALL**  
SCALE: 1" = 1'-0"  
A02.04.06 25



**COL @ SECURITY QUEUE**  
SCALE: 1" = 1'-0"  
A02.04.06 20



**METAL ENCLOSURE**  
SCALE: 1" = 1'-0"  
A09.30 15



**COL @ STERILE/SERVICE CORRIDOR**  
SCALE: 1" = 1'-0"  
A02.03.04 10

**SHEET NOTES**

- 01 STRUCTURAL STEEL
- 02 EXISTING PIER WHERE OCCURS.
- 03 CONTRACTOR CONSTRUCTION JOINT. RE: STRUCTURAL ENGINEER DRAWINGS FOR MORE INFORMATION.
- 04 RAIN LEADER WHERE OCCURS. REF: PLUMBING PLANS FOR LOCATIONS.
- 05 STROBE (AS APPLICABLE)
- 06 BREAK METAL PAINTED P-02
- 07 WALL OUTLET (AS APPLICABLE)
- 08 6" ROOF LEADER WHERE OCCURS. REF: PLUMBING PLANS FOR LOCATIONS.
- 09 FIN TUBE ENCLOSURE. RE: MECHANICAL DRAWINGS FOR FIN TUBE INFORMATION.
- 11 GATE SIGNAGE FLAG. RE: A07 SERIES SIGNAGE DRAWINGS
- 13 SCHEDULED SPEAKER WHERE OCCURS. REFER TO AV DRAWINGS FOR ADDITIONAL INFORMATION
- 14 30% OPEN AREA PERFORATED METAL INSERT. COLOR TO MATCH ADJACENT PAINT COLOR
- 15 PROVIDE BLACK FILLER
- 16 SCHEDULED FEC DEVICE WHERE OCCURS. REFER TO MECHANICAL DRAWINGS FOR ADDITIONAL INFORMATION
- 17 LINE OF FOLD IN PLAN
- 18 SCHEDULED TEMPERATURE SENSOR WHERE OCCURS. REFER TO MECHANICAL DRAWINGS FOR ADDITIONAL INFORMATION
- 19 SCHEDULED PARTITION. REFER TO CONSTRUCTION PLAN FOR PARTITION TYPE AND ADDITIONAL INFORMATION
- 20 STRUCTURAL PIER. REFER TO STRUCTURAL DRAWINGS FOR ADDITIONAL INFORMATION
- 21 GLU LAM. REFER TO STRUCTURAL DRAWINGS FOR ADDITIONAL INFORMATION
- 22 1/4" AESS COVER PLATE
- 23 DASHED LINE REPRESENT WELDED SEAM. TYPICAL LOCATION TO BE ALONG THE CENTERLINE OF TAPERED STRUCTURAL STEEL
- 24 SCHEDULED LIGHT FIXTURE. RE: PROJECT MANUAL FOR MORE INFORMATION
- 25 GLU LAM BRACKET. REFER TO STRUCTURAL DRAWINGS FOR ADDITIONAL INFORMATION
- 26 OPEN TOP TO ALLOW FOR CONNECTION TO STRUCTURAL STEEL COLUMN
- 27 LINE OF COLUMN ENCLOSURE AND LIGHT COVE BELOW
- 28 AESS ENCLOSURE TO EXTEND BEYOND ROUND ENCLOSURE
- 29 TAPERED STRUCTURAL STEEL. REFER TO STRUCTURAL DRAWINGS FOR ADDITIONAL INFORMATION
- 30 LIGHT COVE SHIELD. COORDINATE HEIGHT WITH SELECTED LIGHT FIXTURE MANUFACTURES DIMENSIONS
- 31 COORDINATE CLEAR WIDTH AND HEIGHT WITH SELECTED LIGHT FIXTURE MANUFACTURES DIMENSIONS
- 32 MOCK UP: AESS TREE COLUMN
- 33 EMBED ANGLE
- 34 STRUCTURAL WIND GIRT. MAINTAIN 3/4" REVEAL AROUND STEEL
- 35 MULLION BEYOND
- 36 PRECAST PANEL TO RUN 2" ABOVE 6" STUD IN METAL SOFFIT ASSEMBLY

**Portland International Jetport**  
1001 Westbrook Street  
Portland, Maine 04102

**Gensler**

2020 K Street, Northwest  
Suite 200  
Washington DC 20006  
Telephone 202.721.5200  
Facsimile 202.872.8587

Issue	Date & Issue Description	By	Check
01	12/03/08		
02	75% CONSTRUCTION DOCUMENTS		
03	95% CONSTRUCTION DOCUMENTS		
04	10/26/09		
05	ISSUED FOR PERMIT		

**GENERAL NOTES**

- A. COLUMN COVERS GENERALLY TO BE 6" ABOVE FINISHED CEILING.
- B. REFER TO A00.13 FOR DEVICE MOUNTING HEIGHT. COORDINATE WITH APPROVED CUT SHEET FOR OPENING SIZE.
- C. REFER TO ELEVATIONS FOR LOCATION OF REVEALS.
- D. REFER TO SHEET A00.13 FOR TYPICAL MOUNTING HEIGHTS. U. O. N.

Seal/Signature:

Project Name: PWM Terminal Enhancement

Project Number: 09-6395-000

Description: INTERIOR COLUMN DETAILS

Scale: As indicated

**A12.70**

© 2009 Gensler