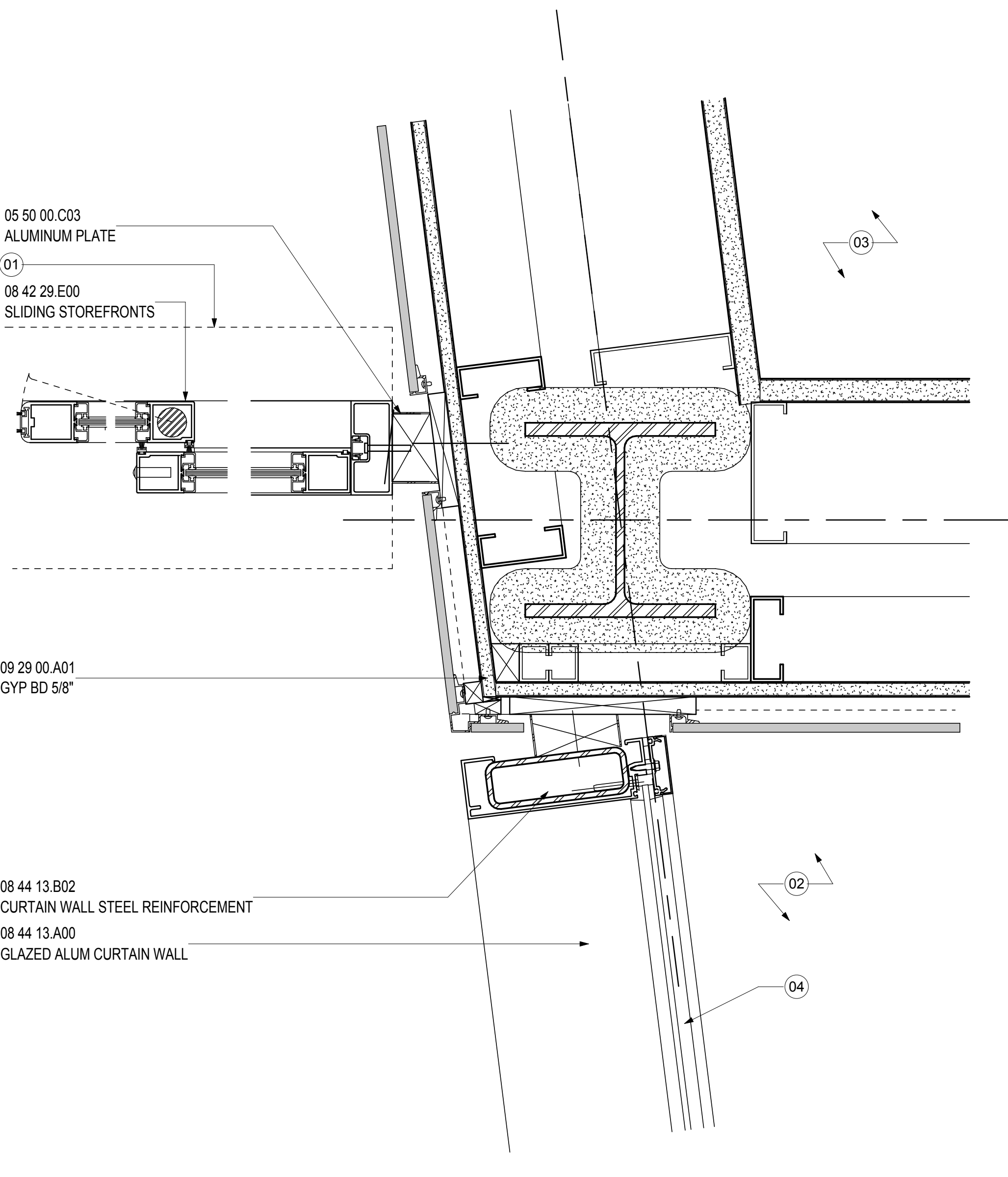
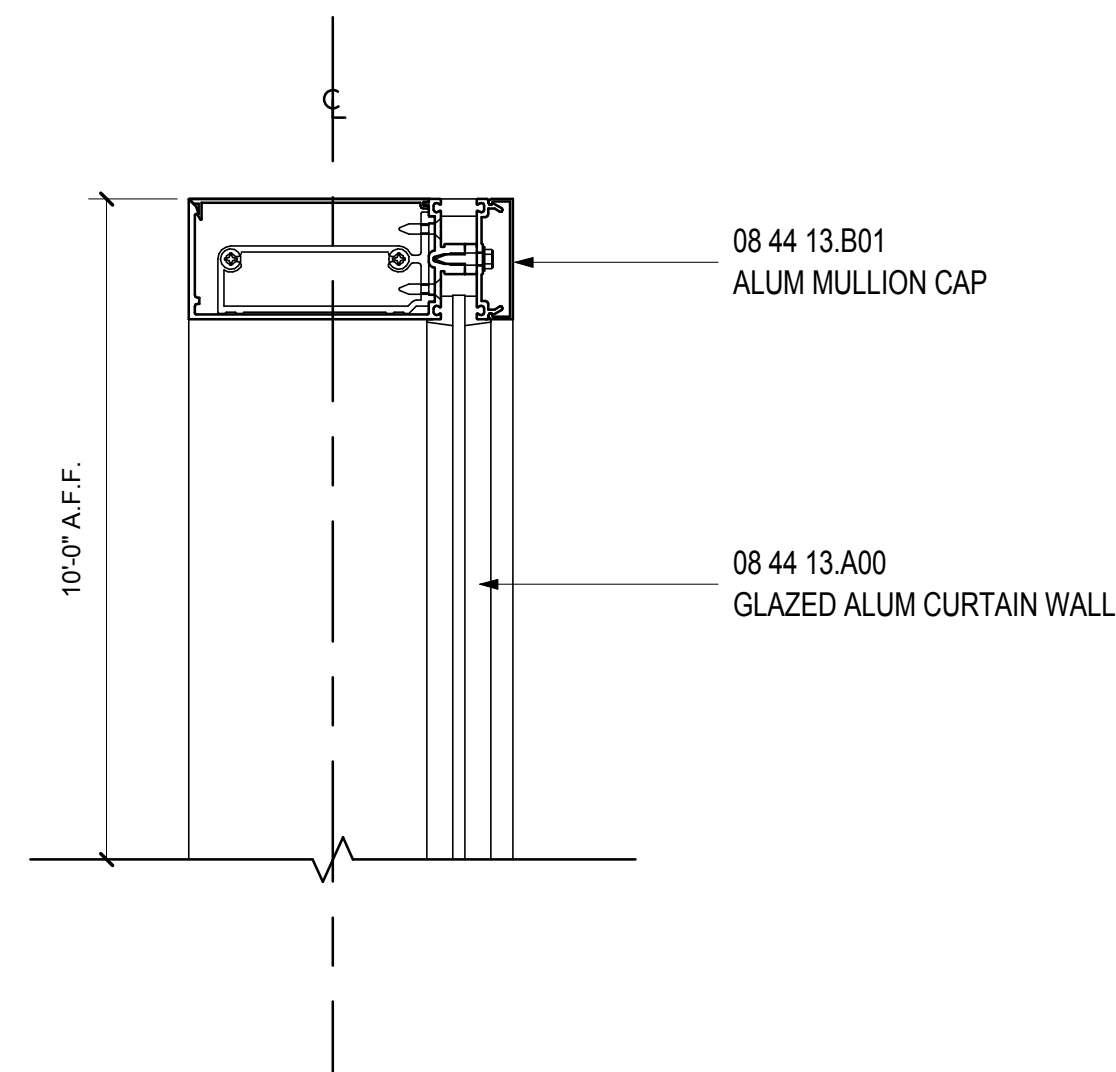


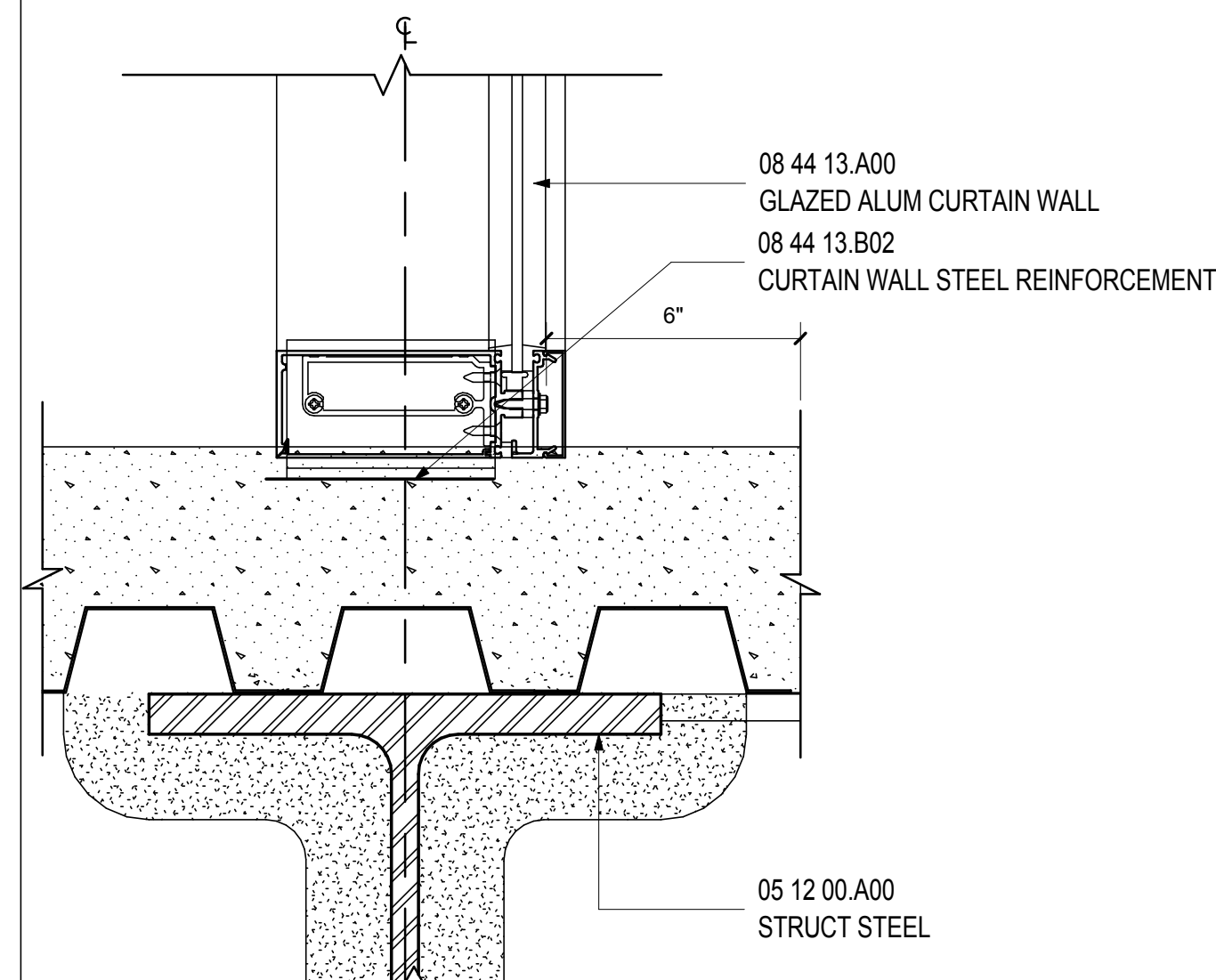
HEAD/SILL- DOOR TYPE E- BY PASS LN 11
 SCALE: 3" = 1'-0" A11.24



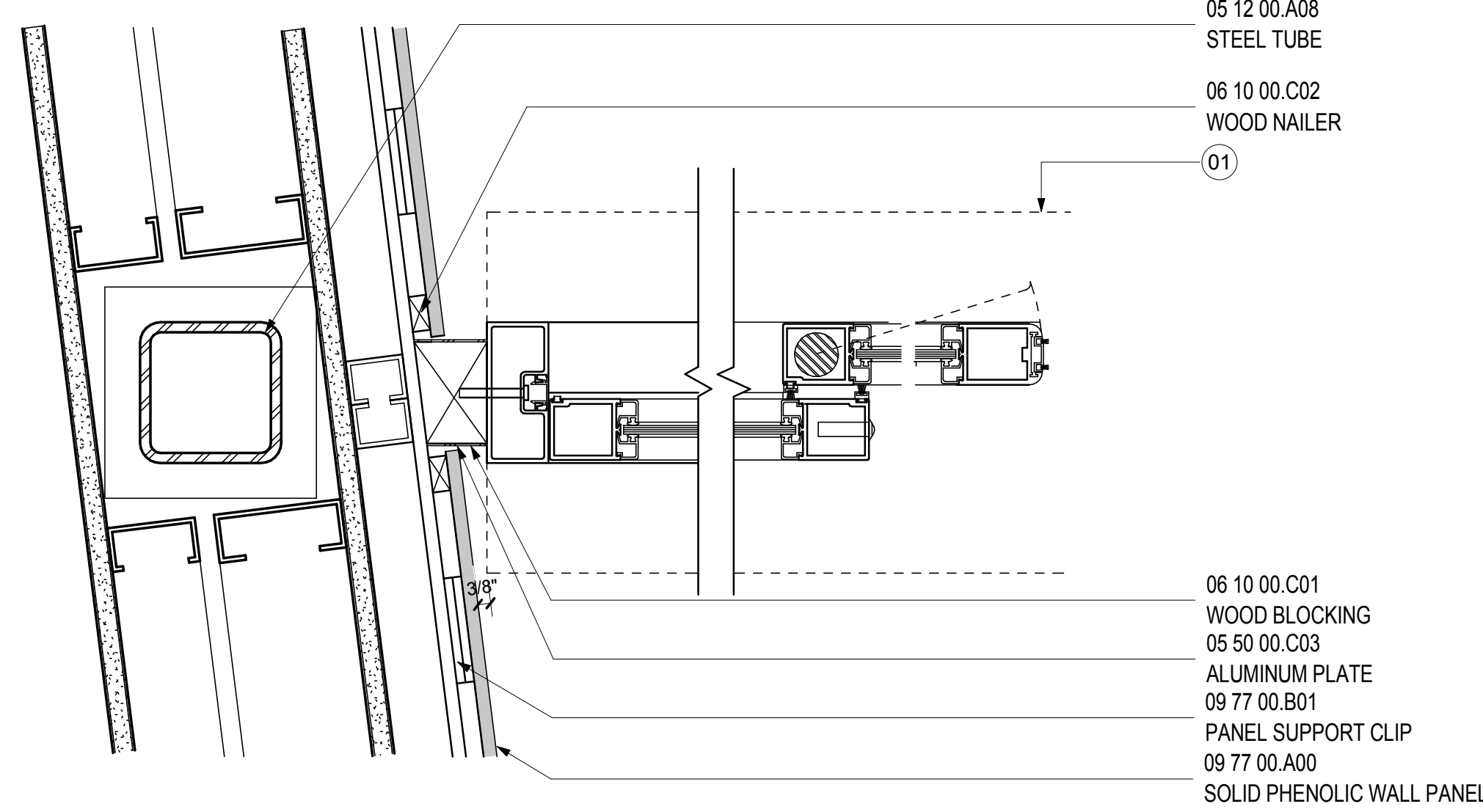
JAMB 1- DOOR TYPE E- BY PASS LANE 6
 SCALE: 3" = 1'-0" A10.30



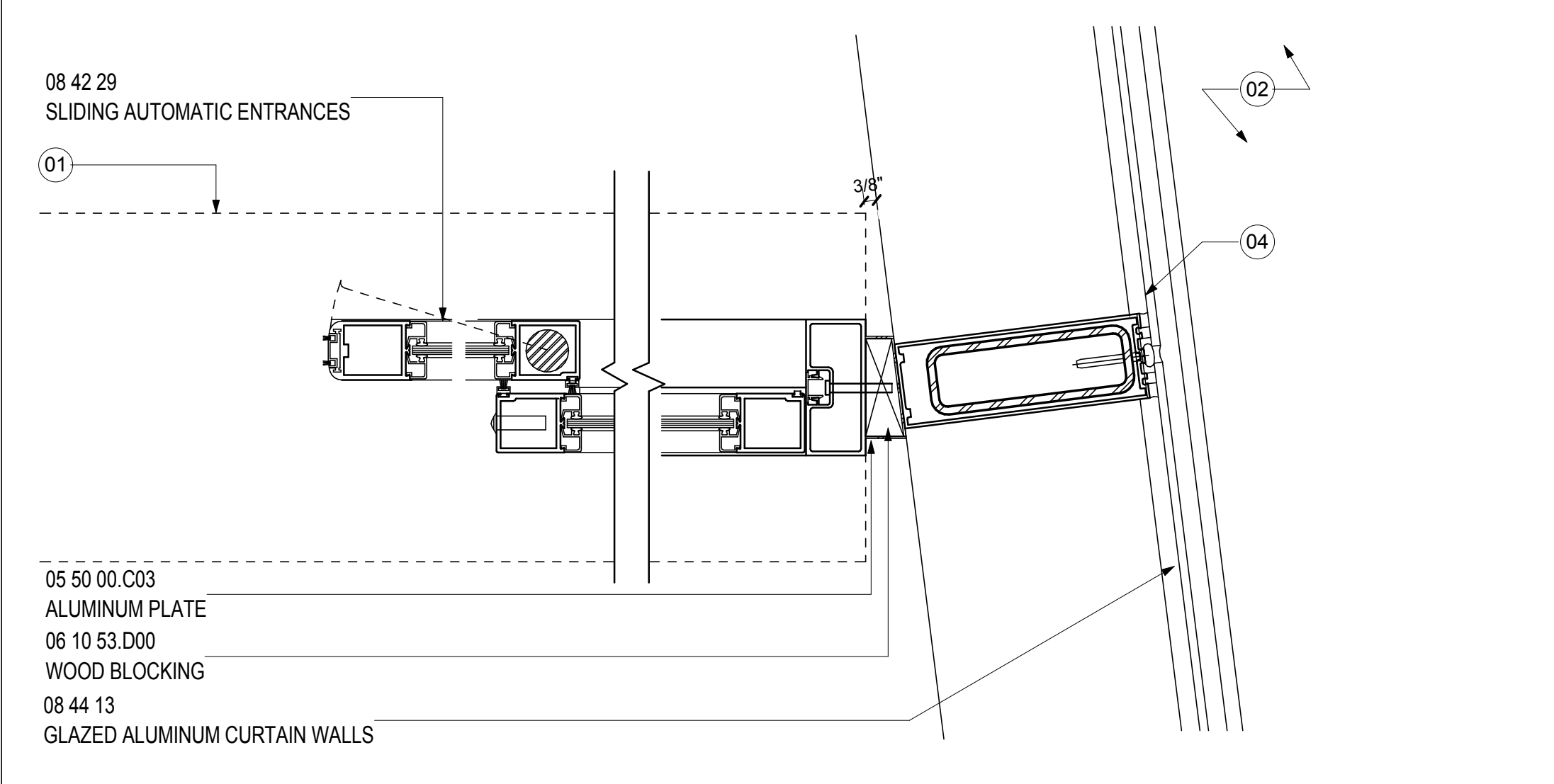
HEAD- INT. CUR.WALL- BY PASS LANE 1
 SCALE: 3" = 1'-0" A11.24



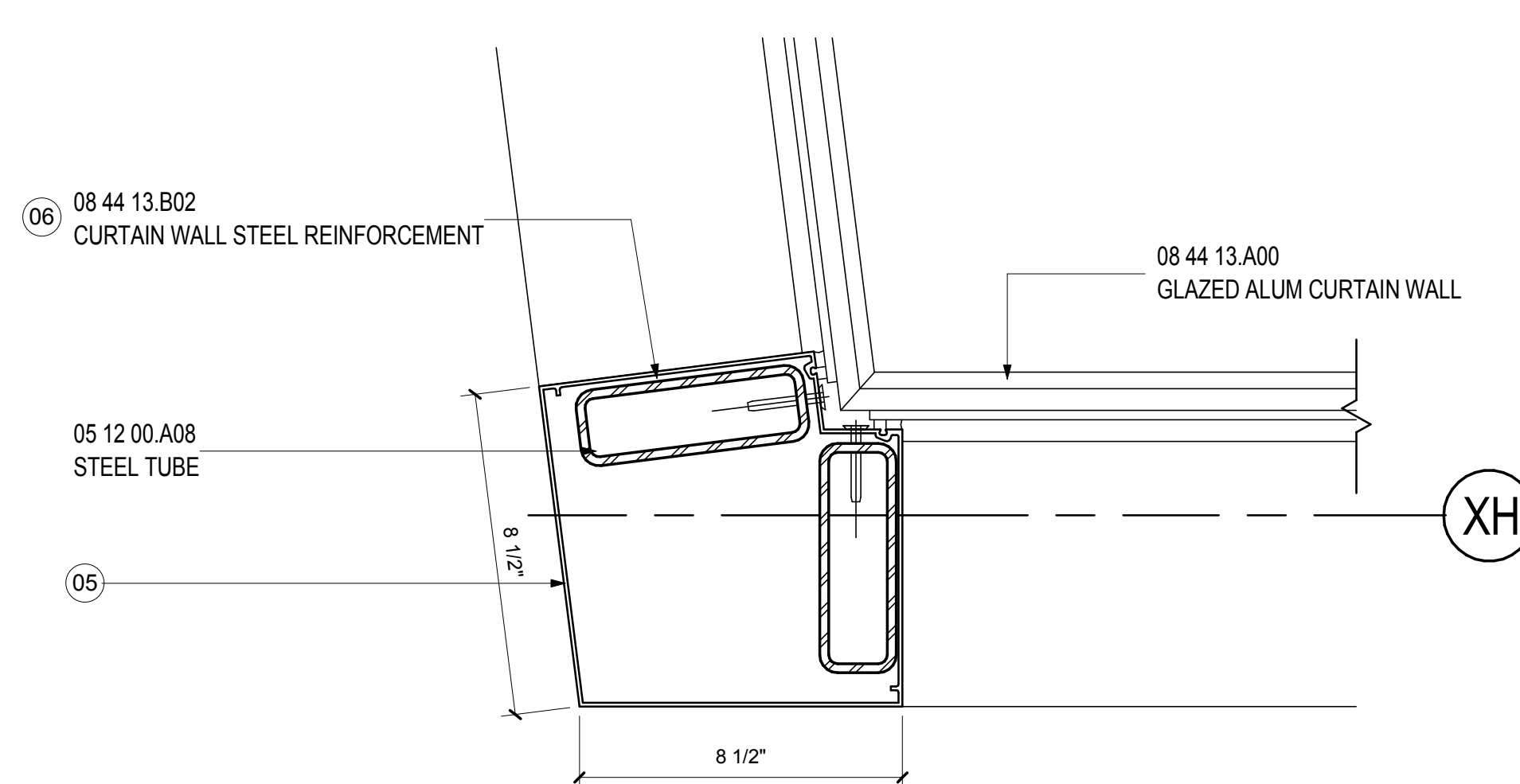
SILL- INT. CUR.WALL- BY PASS LANE 2
 SCALE: 3" = 1'-0" A11.24



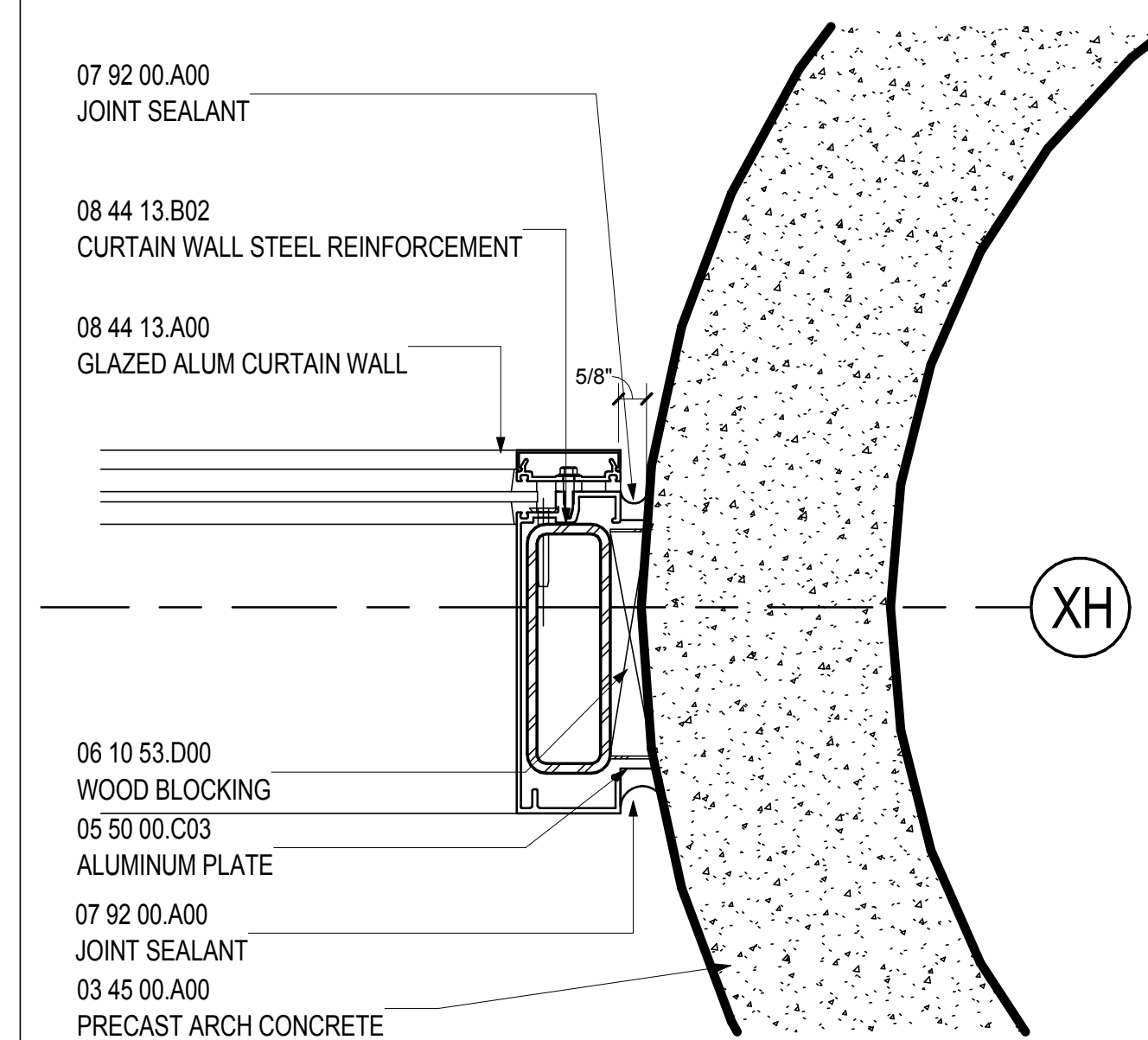
JAMB 3- DOOR TYPE E- BY PASS LANE 12
 SCALE: 3" = 1'-0" A02.04.05



JAMB 2- DOOR TYPE E- BY PASS LANE 7
 SCALE: 3" = 1'-0" A02.04.05



CORNER DTL CW @ BYPASS LANE 8
 SCALE: 3" = 1'-0" A02.04.05



JAMB- INT.CUR.WALL AT CONC.COL. 4
 SCALE: 3" = 1'-0" A02.04.05

SHEET NOTES

- 01 LINE OF SLIDING DOOR HEAD AND SOFFIT ABOVE
- 02 OPEN TO BELOW
- 03 ELEVATOR SHAFT
- 04 RE: STRUCTURAL DRAWINGS FOR EDGE OF DECK (EOD) DIMENSION
- 05 ALUMINUM CORNER AT CUSTOM ANGLE
- 06

GENERAL NOTES

Portland International Jetport
 1001 Westbrook Street
 Portland, Maine 04102

Gensler
 2020 K Street, Northwest
 Suite 200
 Washington DC 20006
 Telephone 202.721.5200
 Facsimile 202.872.8587

Issue	Date & Issue Description	By	Check
01	01/22/09		
02	95% CONSTRUCTION DOCUMENTS		
02	10/28/09		
	ISSUED FOR PERMIT		

Seal/Signature



Project Name
 PWM Terminal Enhancement

Project Number
 09.6395.000

Description
 INTERIOR DETAILS

Scale
 3" = 1'-0"

A12.66

© 2009 Gensler