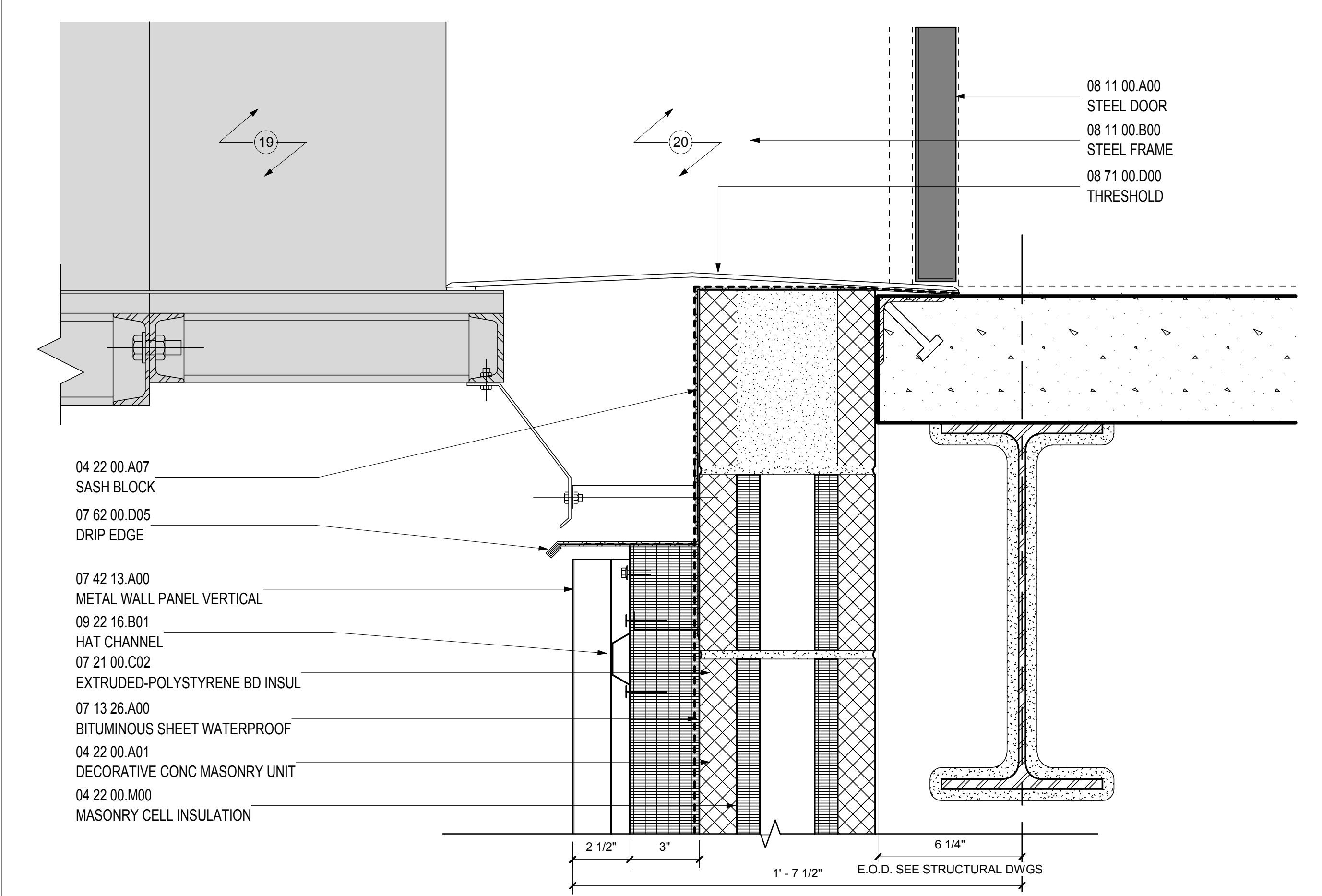
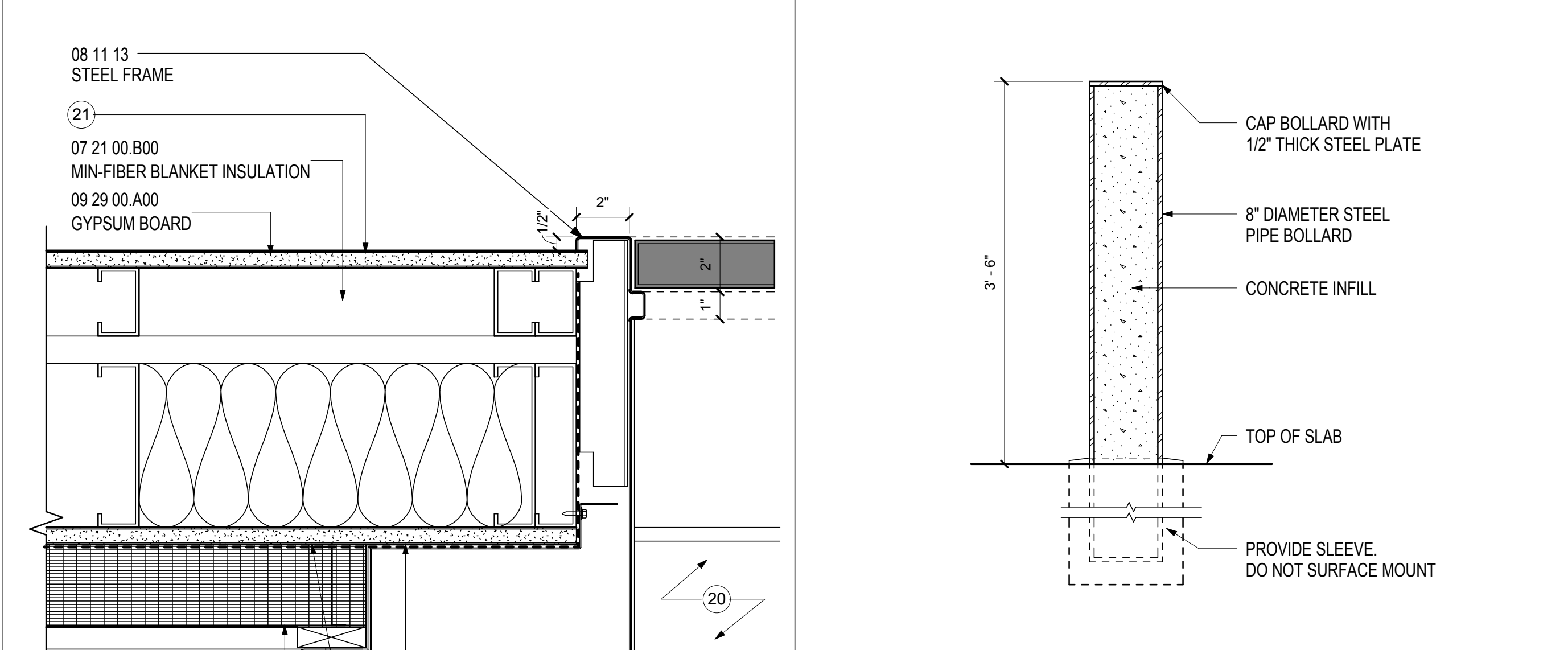


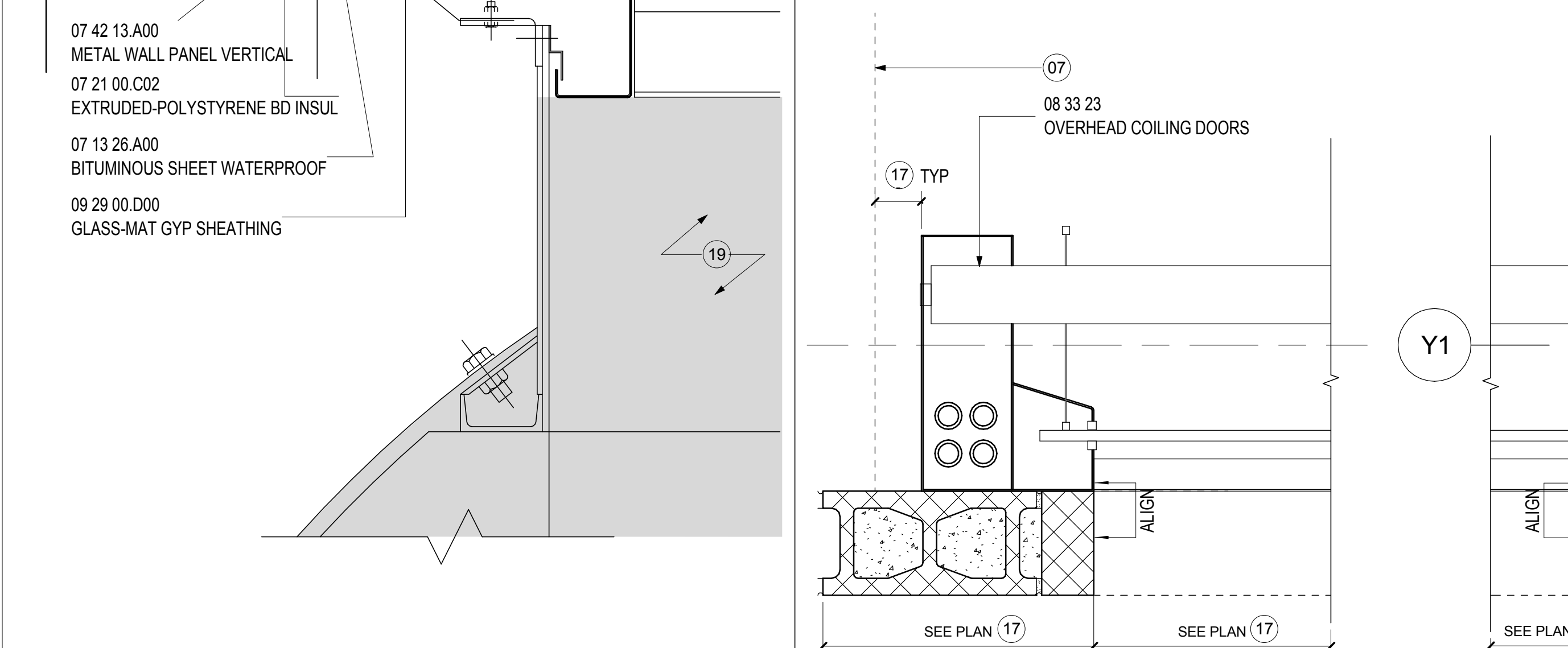
HEAD- DOOR TYPE A AT FIXED LINK
SCALE: 3" = 1'-0" **14**



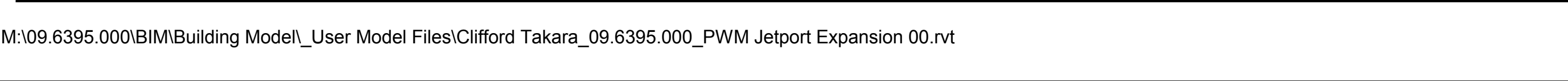
HEAD- DOOR TYPE A AT CMU-INT.
SCALE: 3" = 1'-0" **9**



JAMB- DOOR TYPE A AT CMU- INT.
SCALE: 3" = 1'-0" **10**



HEAD- DOOR TYPE M AT CMU
SCALE: 1 1/2" = 1'-0" **11**



SECTION PRECAST INFILL PANEL
SCALE: 1 1/2" = 1'-0" **6**

SILL- DOOR TYPE A AT FIXED LINK
SCALE: 3" = 1'-0" **15**

SILL- THRESHOLD-TYPE 5
SCALE: 3" = 1'-0" **2**

SILL- THRESHOLD-TYPE 6
SCALE: 3" = 1'-0" **3**

SILL- THRESHOLD-TYPE 6-
SCALE: 3" = 1'-0" **4**

JAMB- DOOR TYPE A AT FIXED LINK
SCALE: 3" = 1'-0" **18**

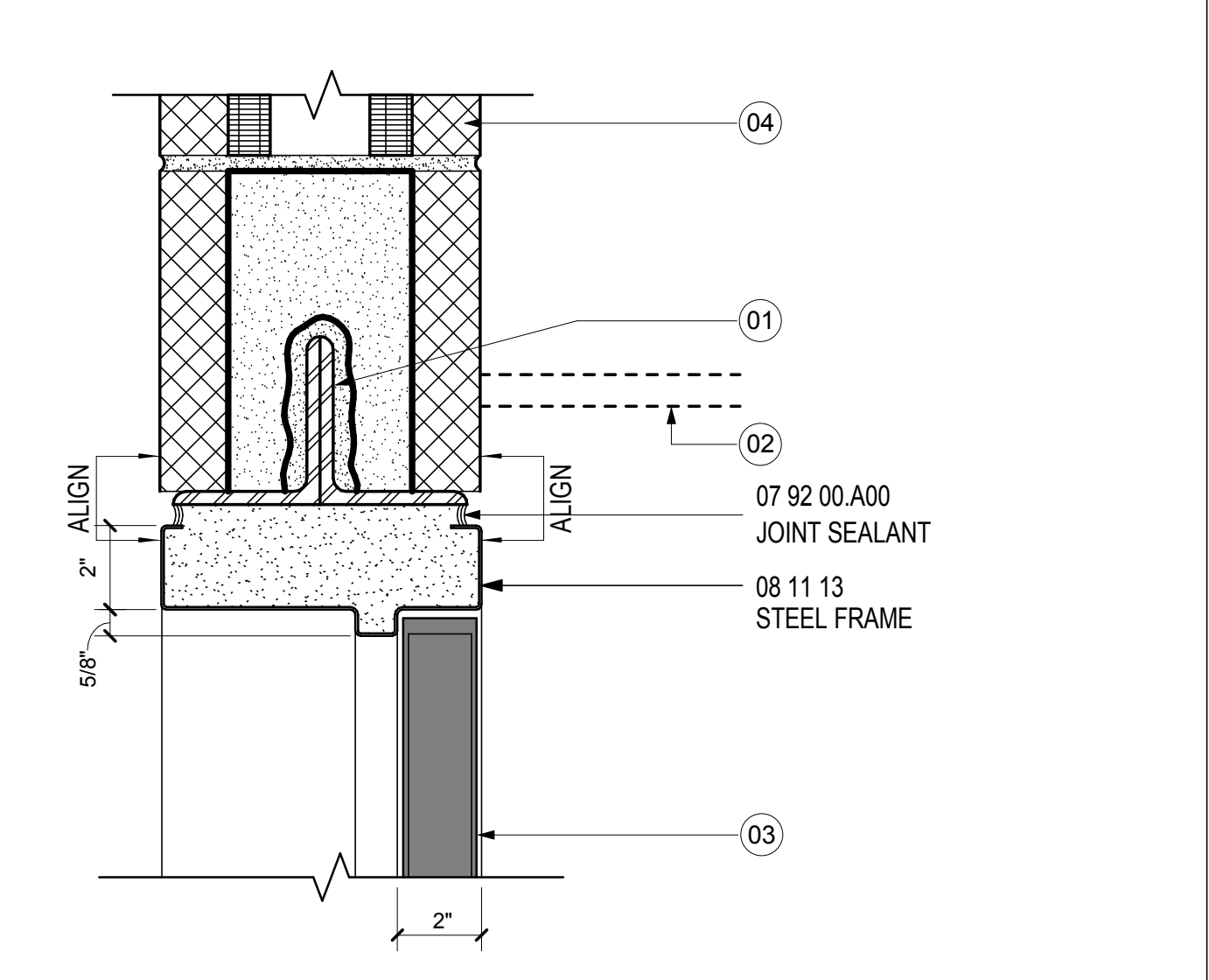
DETAIL AT PIPE BOLLARD
SCALE: 1" = 1'-0" **16**

SILL @ DOOR TYPE M
SCALE: 1 1/2" = 1'-0" **12**

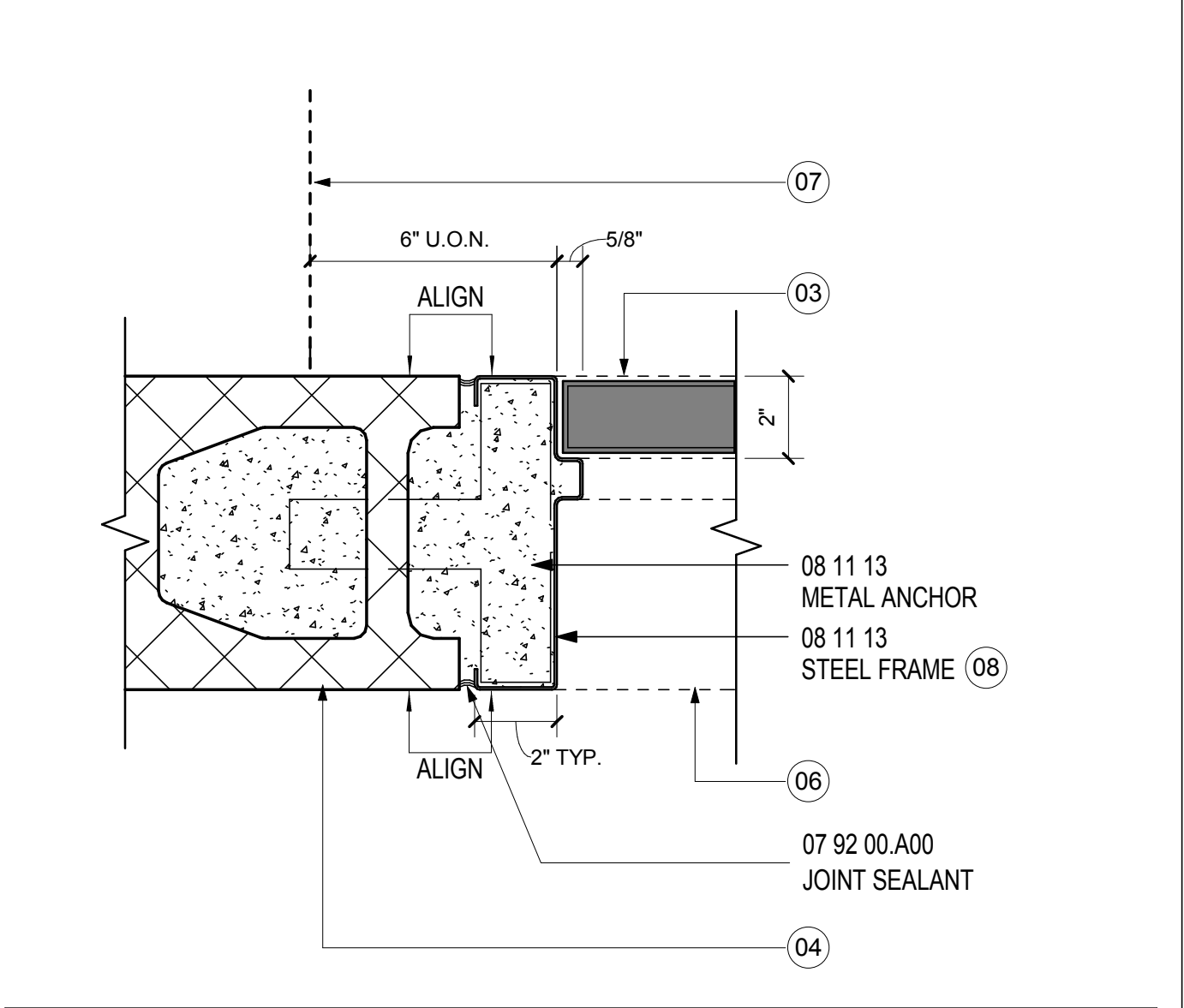
JAMB- DOOR TYPE M AT CMU
SCALE: 1 1/2" = 1'-0" **13**

JAMB- DOOR TYPE M AT EXIST. COL.
SCALE: 1 1/2" = 1'-0" **8**

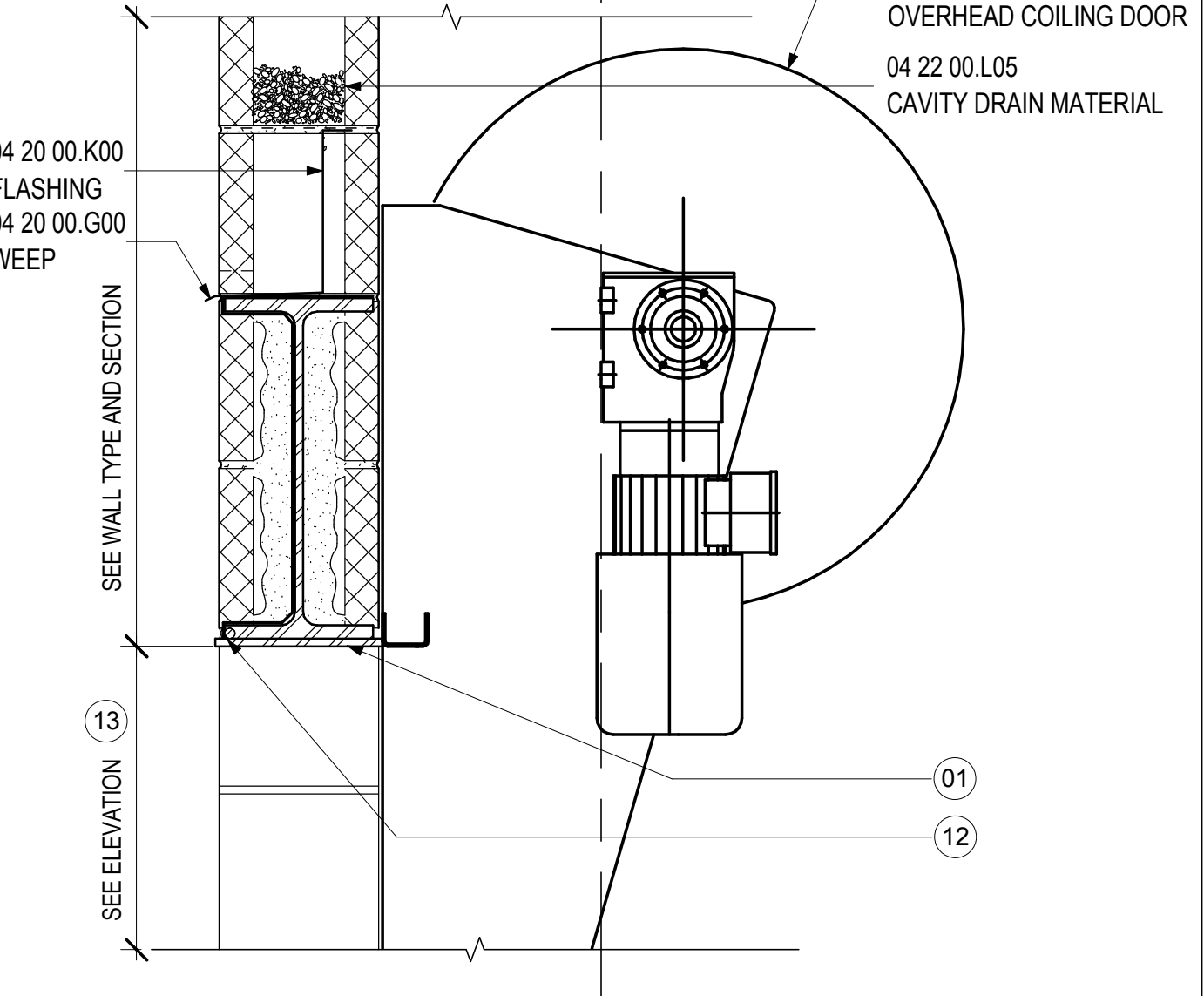
JAMB- DOOR TYPE M AT PRECAST
SCALE: 1 1/2" = 1'-0" **5**



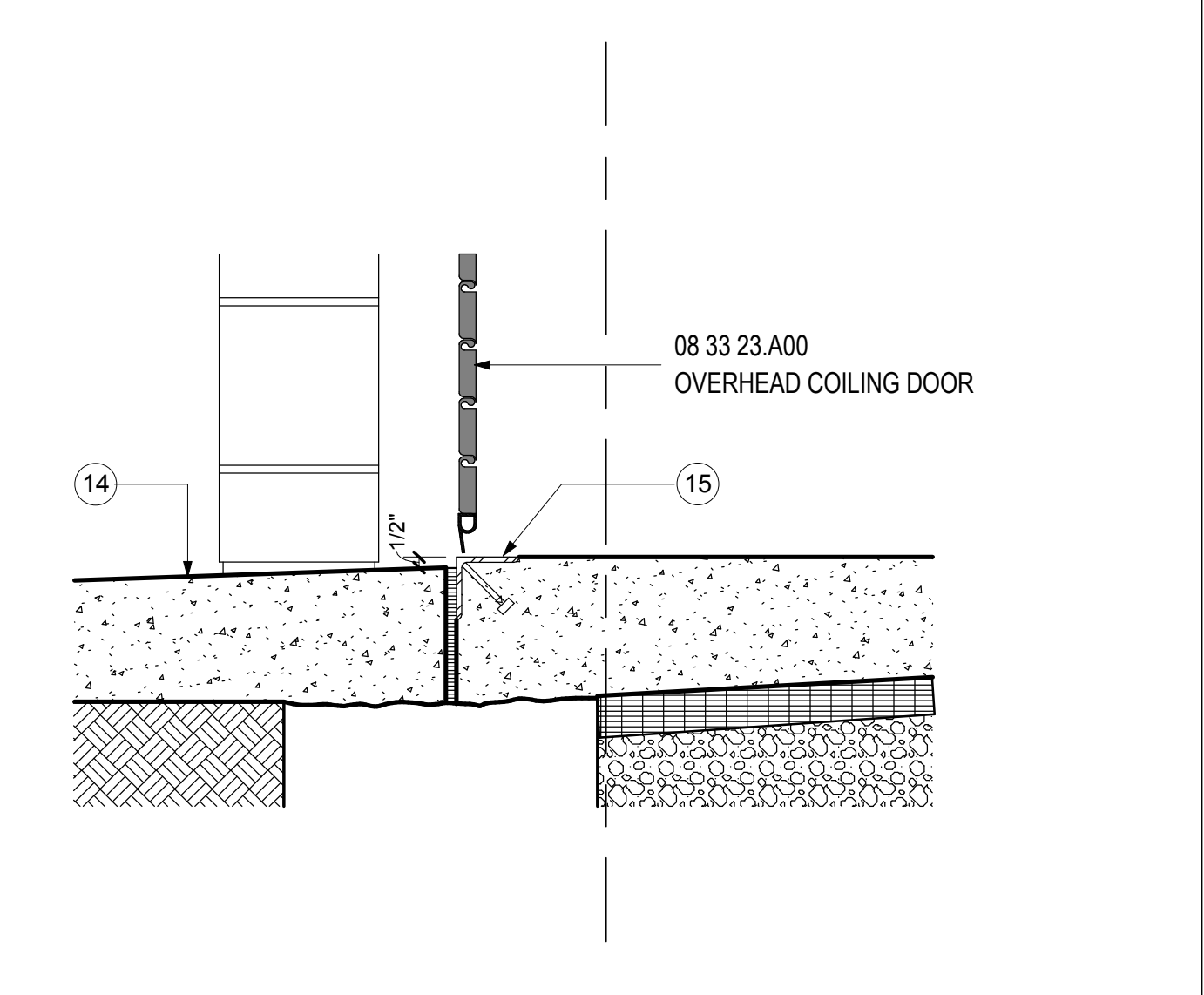
HEAD- DOOR TYPE A AT CMU-INT.
SCALE: 3" = 1'-0" **9**



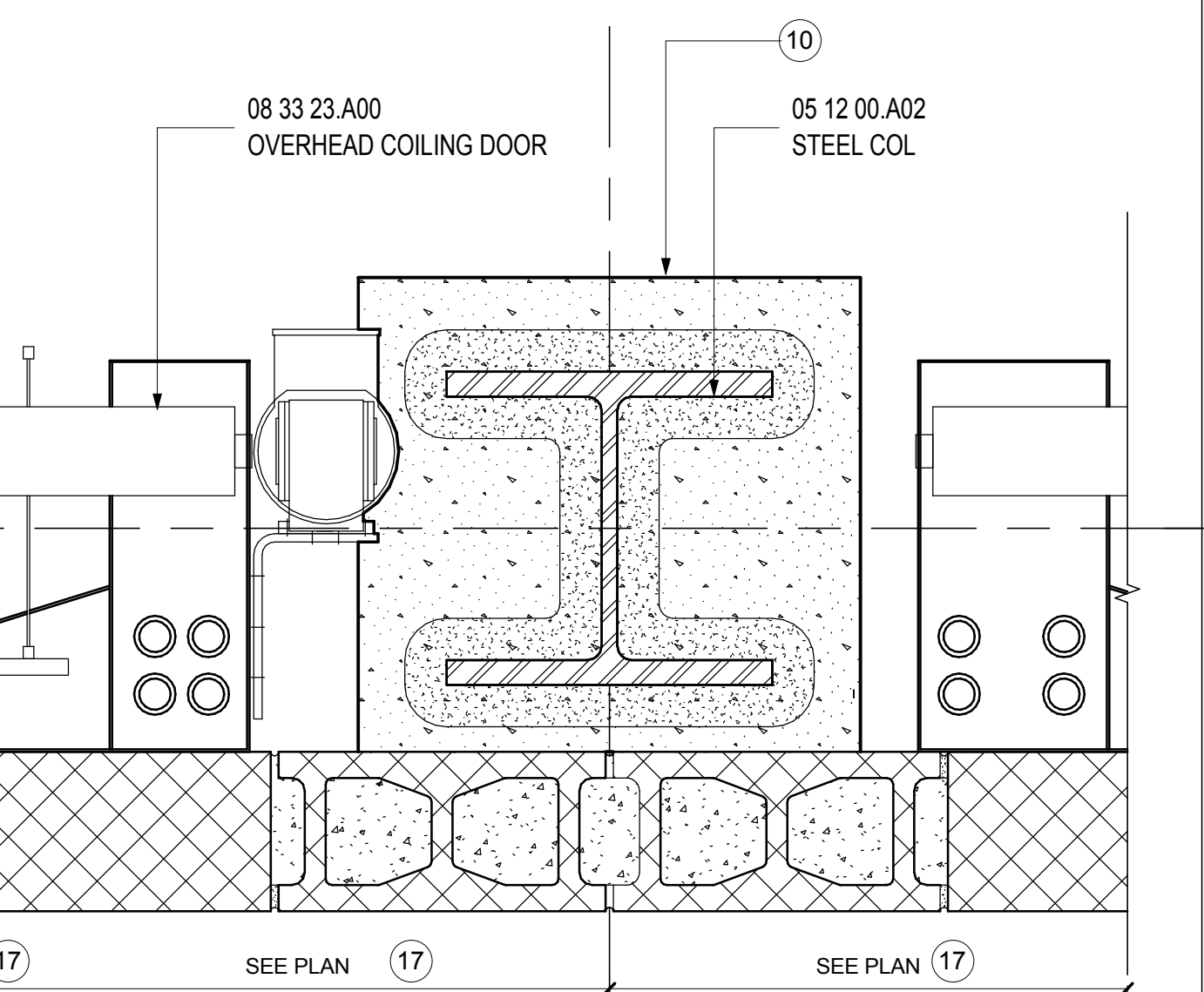
JAMB- DOOR TYPE A AT CMU- INT.
SCALE: 3" = 1'-0" **10**



HEAD- DOOR TYPE M AT CMU
SCALE: 1 1/2" = 1'-0" **11**



SILL @ DOOR TYPE M
SCALE: 1 1/2" = 1'-0" **12**

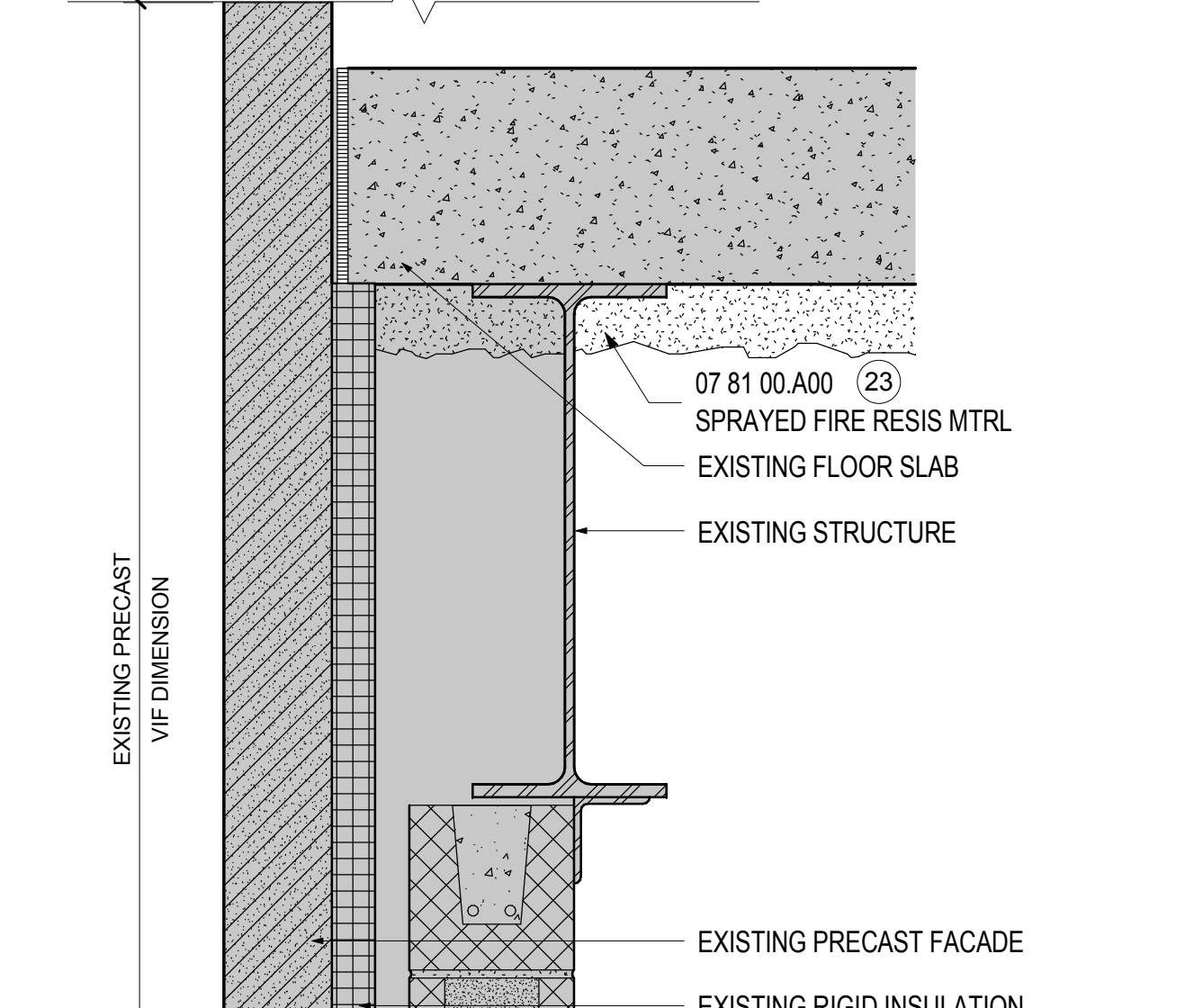


JAMB- DOOR TYPE M AT CMU
SCALE: 1 1/2" = 1'-0" **13**

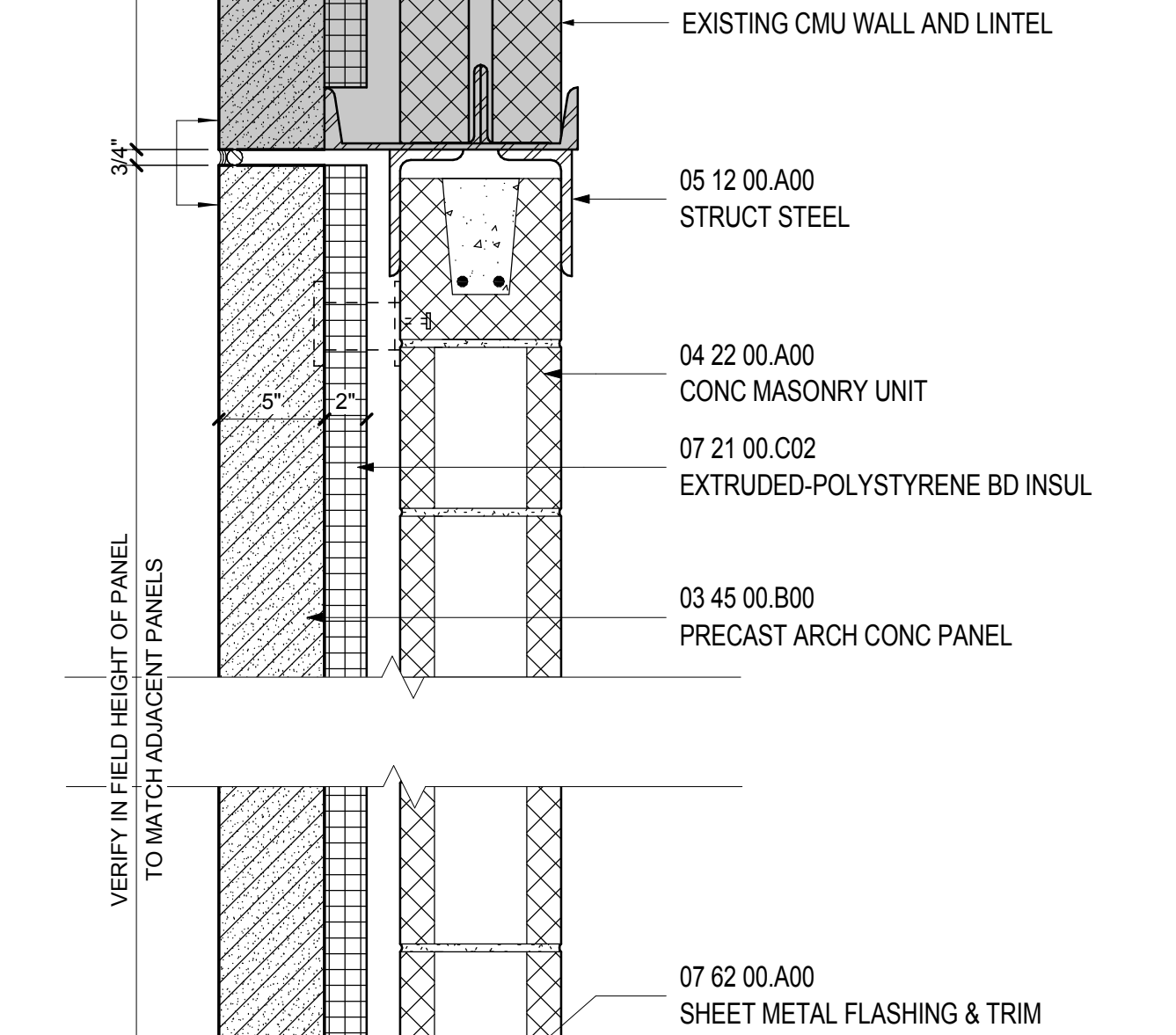


JAMB- DOOR TYPE M AT EXIST. COL.
SCALE: 1 1/2" = 1'-0" **8**

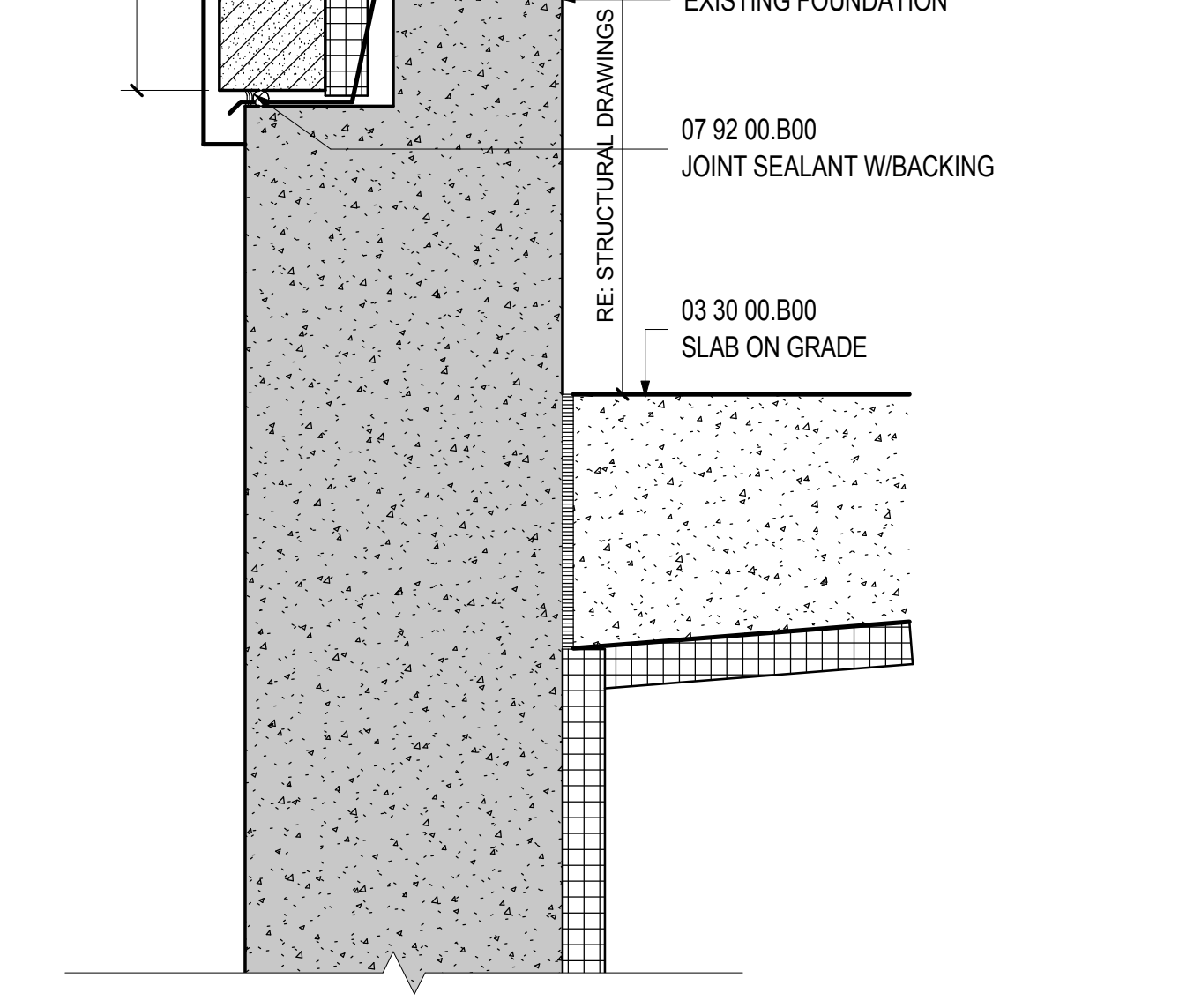
JAMB- DOOR TYPE M AT PRECAST
SCALE: 1 1/2" = 1'-0" **5**



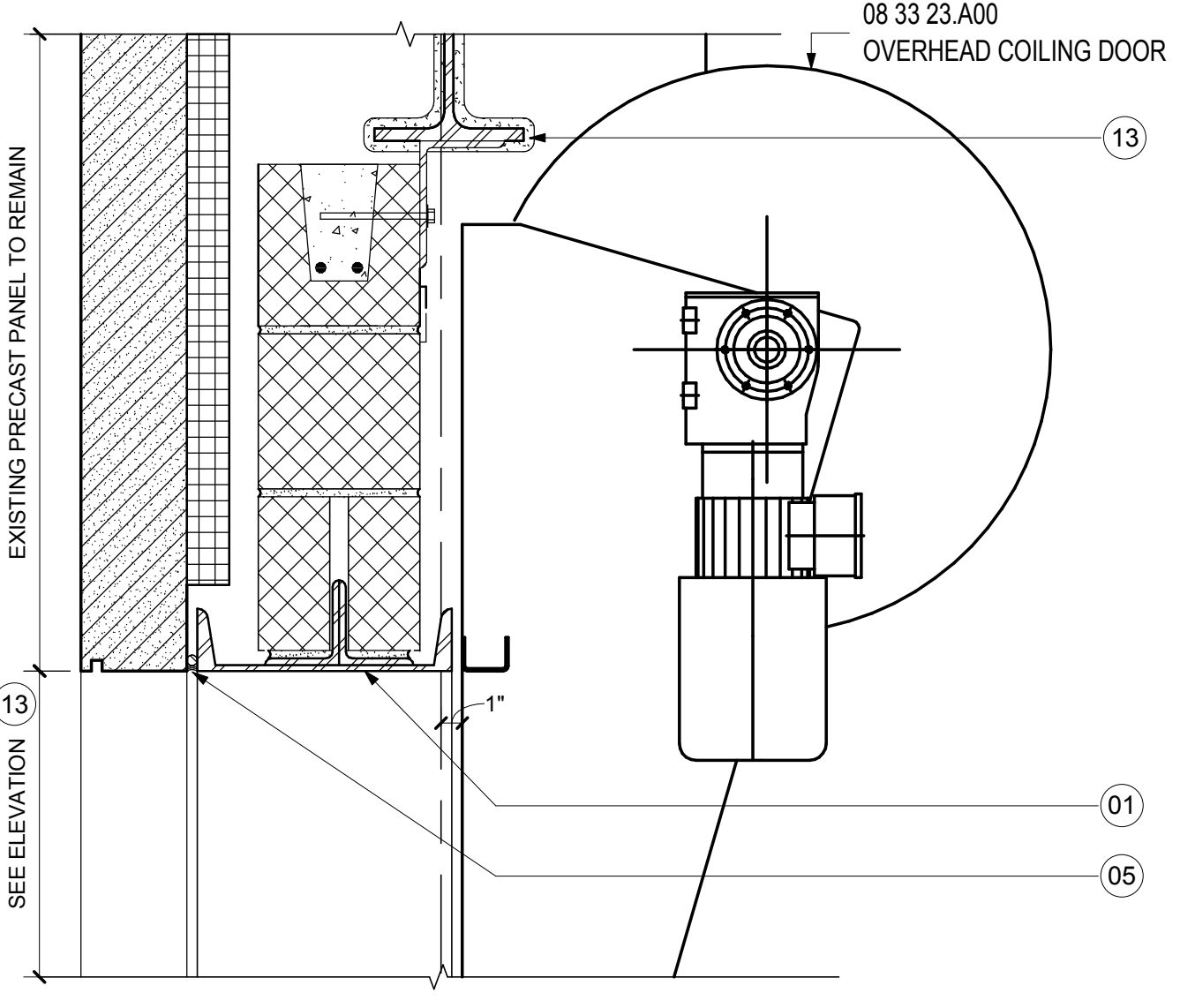
SILL- THRESHOLD-TYPE 1
SCALE: 3" = 1'-0" **1**



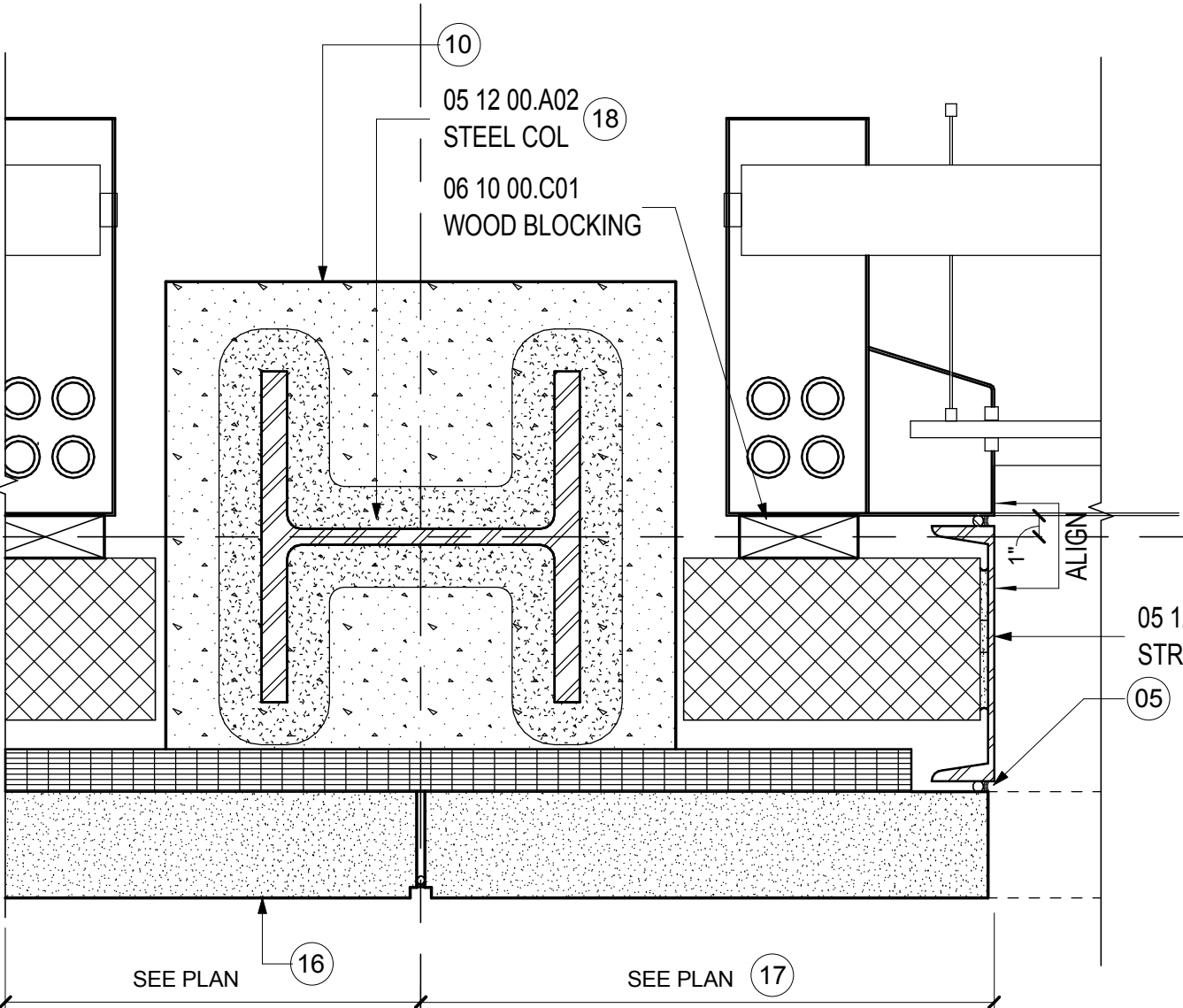
SILL- THRESHOLD-TYPE 5
SCALE: 3" = 1'-0" **2**



SILL- THRESHOLD-TYPE 6
SCALE: 3" = 1'-0" **3**



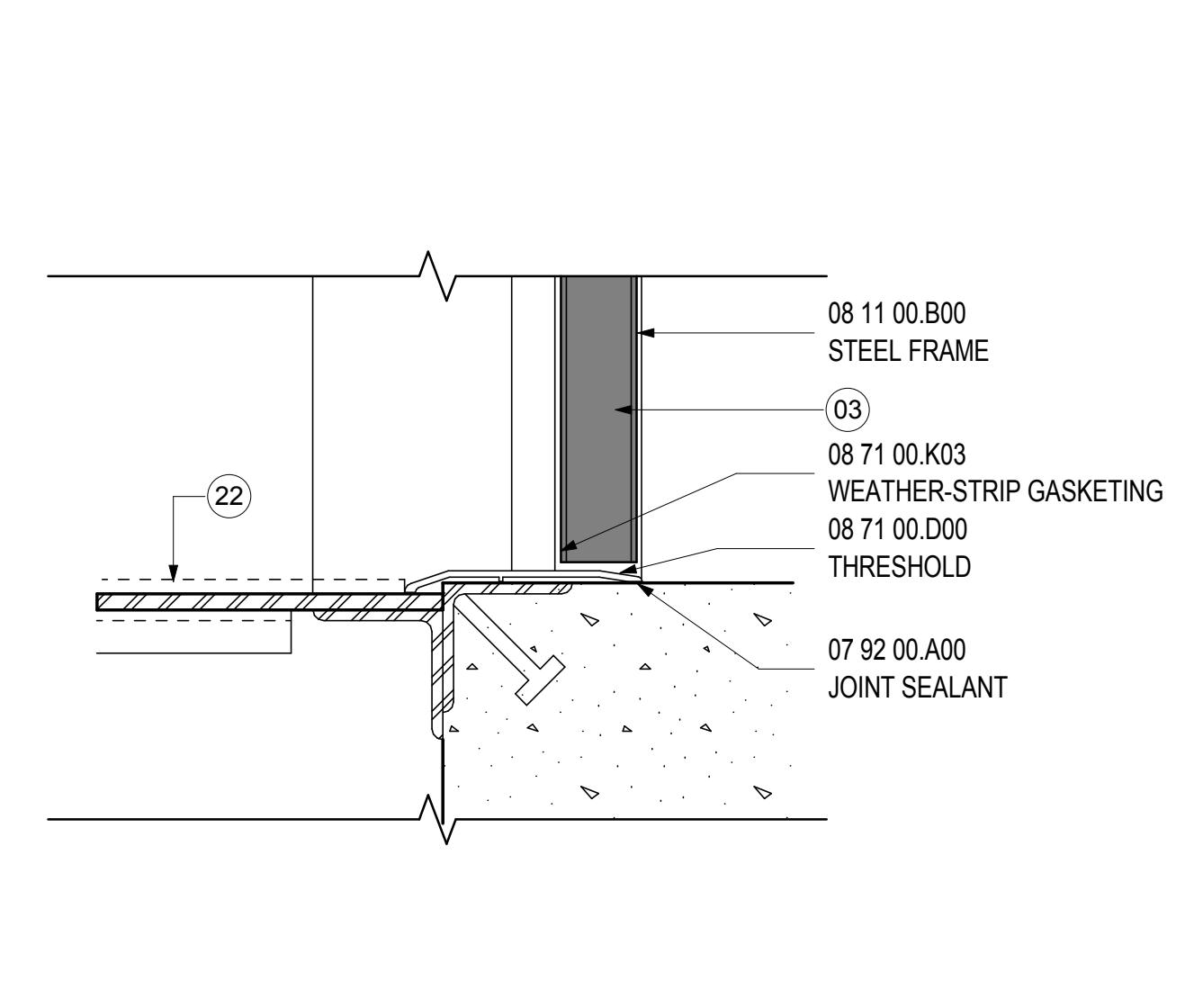
SILL- THRESHOLD-TYPE 6-
SCALE: 3" = 1'-0" **4**



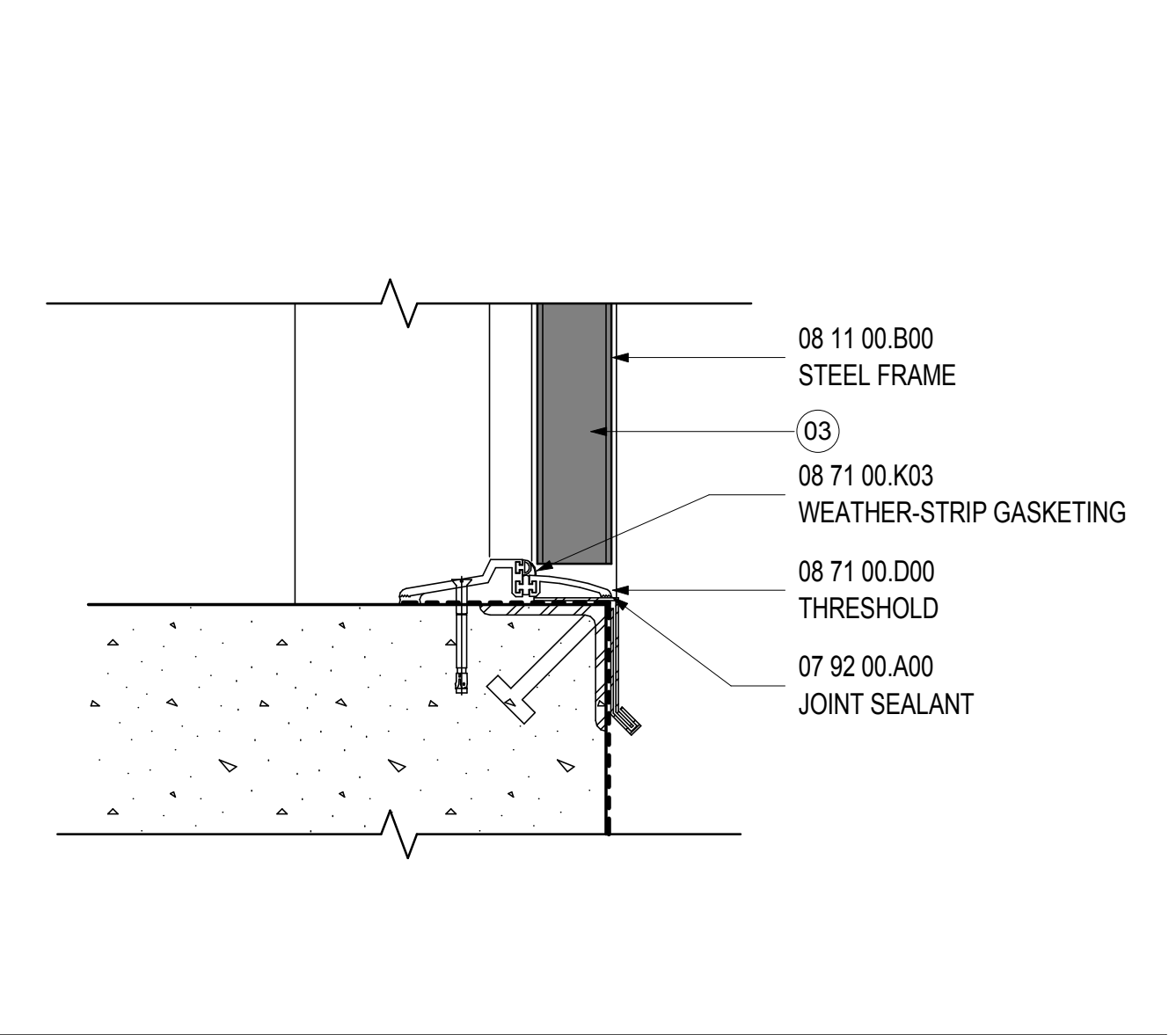
JAMB- DOOR TYPE M AT EXIST. COL.
SCALE: 1 1/2" = 1'-0" **8**



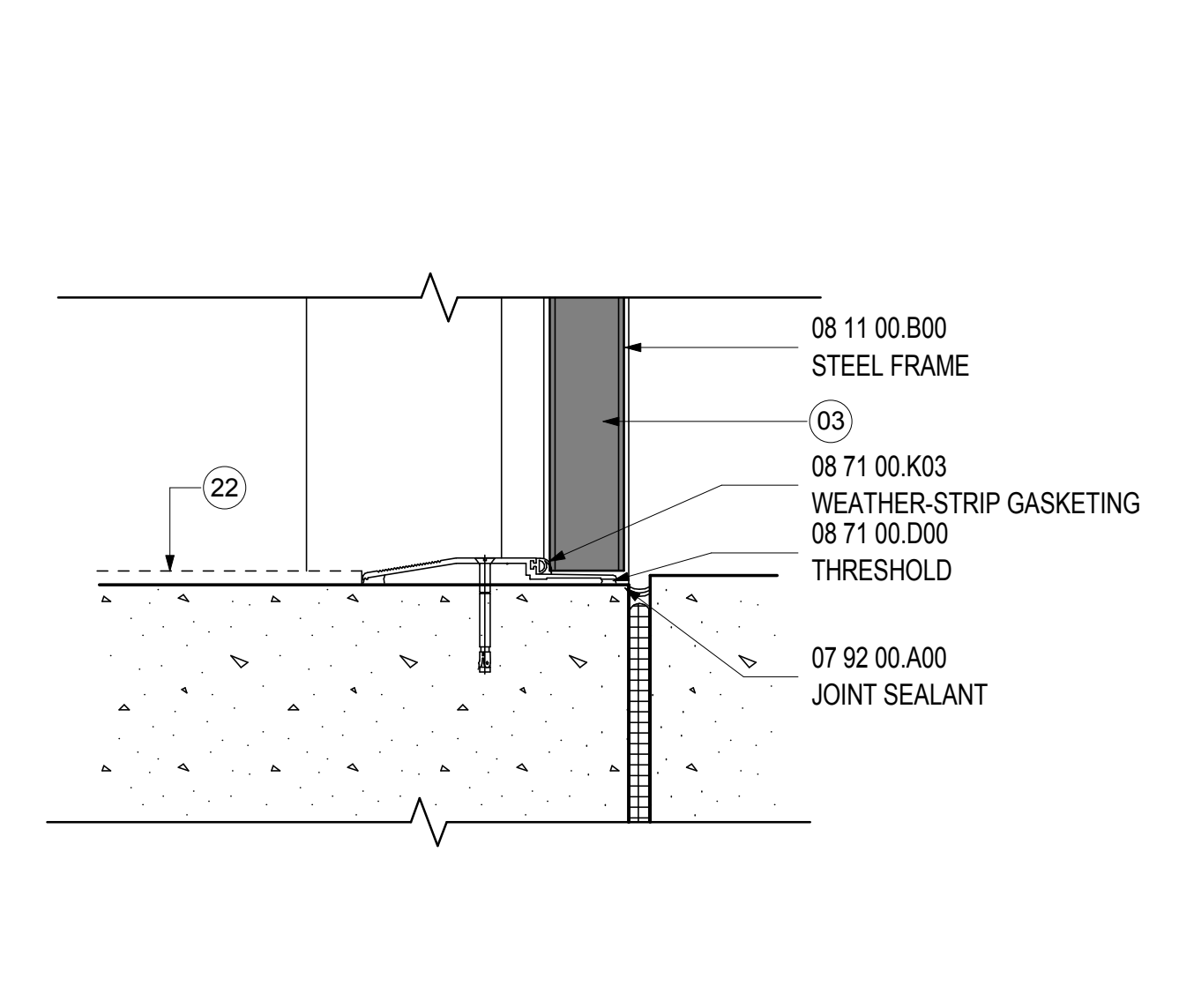
JAMB- DOOR TYPE M AT PRECAST
SCALE: 1 1/2" = 1'-0" **5**



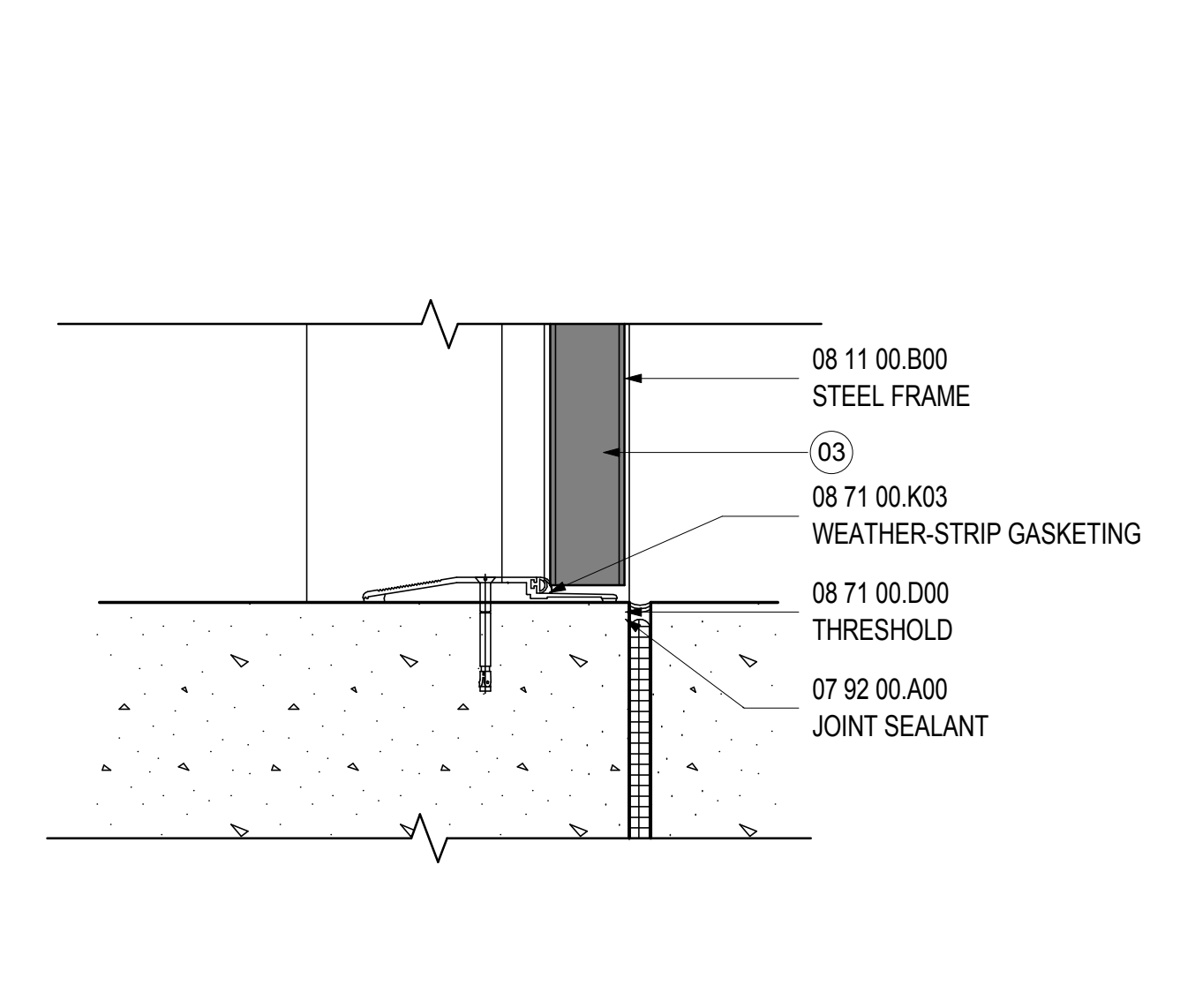
SILL- THRESHOLD-TYPE 1
SCALE: 3" = 1'-0" **1**



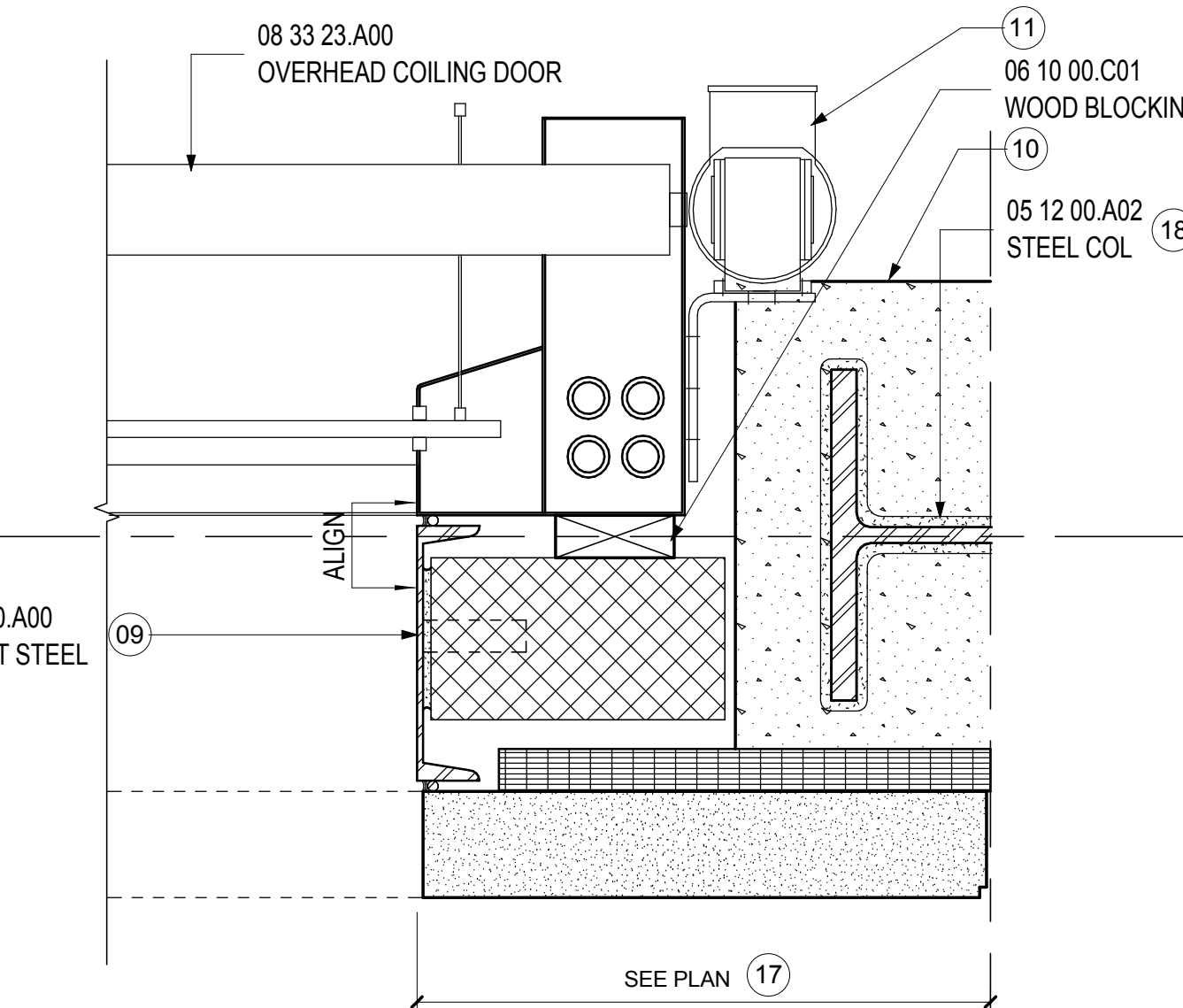
SILL- THRESHOLD-TYPE 5
SCALE: 3" = 1'-0" **2**



SILL- THRESHOLD-TYPE 6
SCALE: 3" = 1'-0" **3**



SILL- THRESHOLD-TYPE 6-
SCALE: 3" = 1'-0" **4**



JAMB- DOOR TYPE M AT EXIST. COL.
SCALE: 1 1/2" = 1'-0" **8**



JAMB- DOOR TYPE M AT PRECAST
SCALE: 1 1/2" = 1'-0" **5**

SHEET NOTES

- 01 SEE STRUCTURAL DRAWING FOR LINTEL INFORMATION
- 02 SCHEDULED CEILING CONSTRUCTION
- 03 SCHEDULED DOOR. REFER TO DOOR SCHEDULE FOR INFORMATION.
- 04 REFER TO WALL TYPE
- 05 BACKER ROD AND SEALANT
- 06 LINE OF DOOR FRAME ABOVE
- 07 LINE OF ADJACENT PARTITION WHERE OCCURS
- 08 GROUT SOLID
- 09 RE: STRUCTURAL DRAWINGS
- 10 TOP OF CONCRETE COLUMN ENCLOSURE BELOW, AT 4'-0" AFF. REFER TO STRUCTURAL DRAWINGS.
- 11 COORDINATE MOTOR LOCATION AND REQUIRED CLEARANCE WITH ADJACENT STRUCTURE
- 12 PROVIDE FLASHING AS REQUIRED
- 13 VERIFY OPENING, CLEARANCE BELOW STRUCTURE WITH COILING DOOR HOUSING
- 14 SLOPED SLAB. SEE CIVIL DRAWINGS TO TRENCH DRAIN
- 15 STEEL ANGLE
- 16 EXISTING PRECAST PANELS. SEE STRUCTURAL DRAWINGS FOR LINTELS AT DOOR OPENINGS
- 17 VERIFY AND COORDINATE DOOR SIZE AND REQUIRED CLEARANCES WITH DOOR WIDTH PRIOR TO INSTALLATION OF LINTEL
- 18 EXISTING STRUCTURE
- 19 PASSENGER BOARDING BRIDGE. COORDINATE CONNECTION TO DOOR OPENING AND SILL HEIGHT.
- 20 EXTENDED FRAME AND THRESHOLD
- 21 SCHEDULED PARTITION. SEE CONSTRUCTION PLAN FOR DETAILS.
- 22 SCHEDULED FLOOR FINISH
- 23 PROVIDE 3-HOUR SPRAY-ON FIREPROOFING TO UNDERSIDE OF LEVEL 3 SLAB IN BAGGAGE OUTBOUND. SEE PLANS FOR EXTENT.

Portland International Jetport

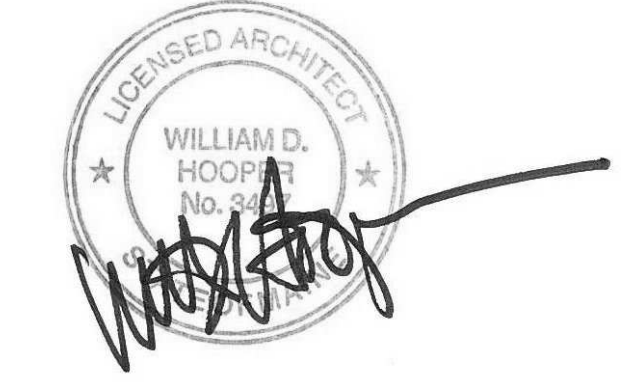
1001 Westbrook Street
Portland, Maine 04102

Gensler

2020 K Street, Northwest
Suite 200
Washington DC 20006
Telephone 202.721.5200
Facsimile 202.872.8587

Issue	Date & Issue Description	By	Check
01	01/22/09		
02	95% CONSTRUCTION DOCUMENTS		
02	10/26/09		
	ISSUED FOR PERMIT		

Seal/Signature



Project Name
PJM Terminal Enhancement

Project Number
09 6395 000

Description
SECTION DETAILS - BAGGAGE

Scale
As indicated

A12.15

© 2009 Gensler