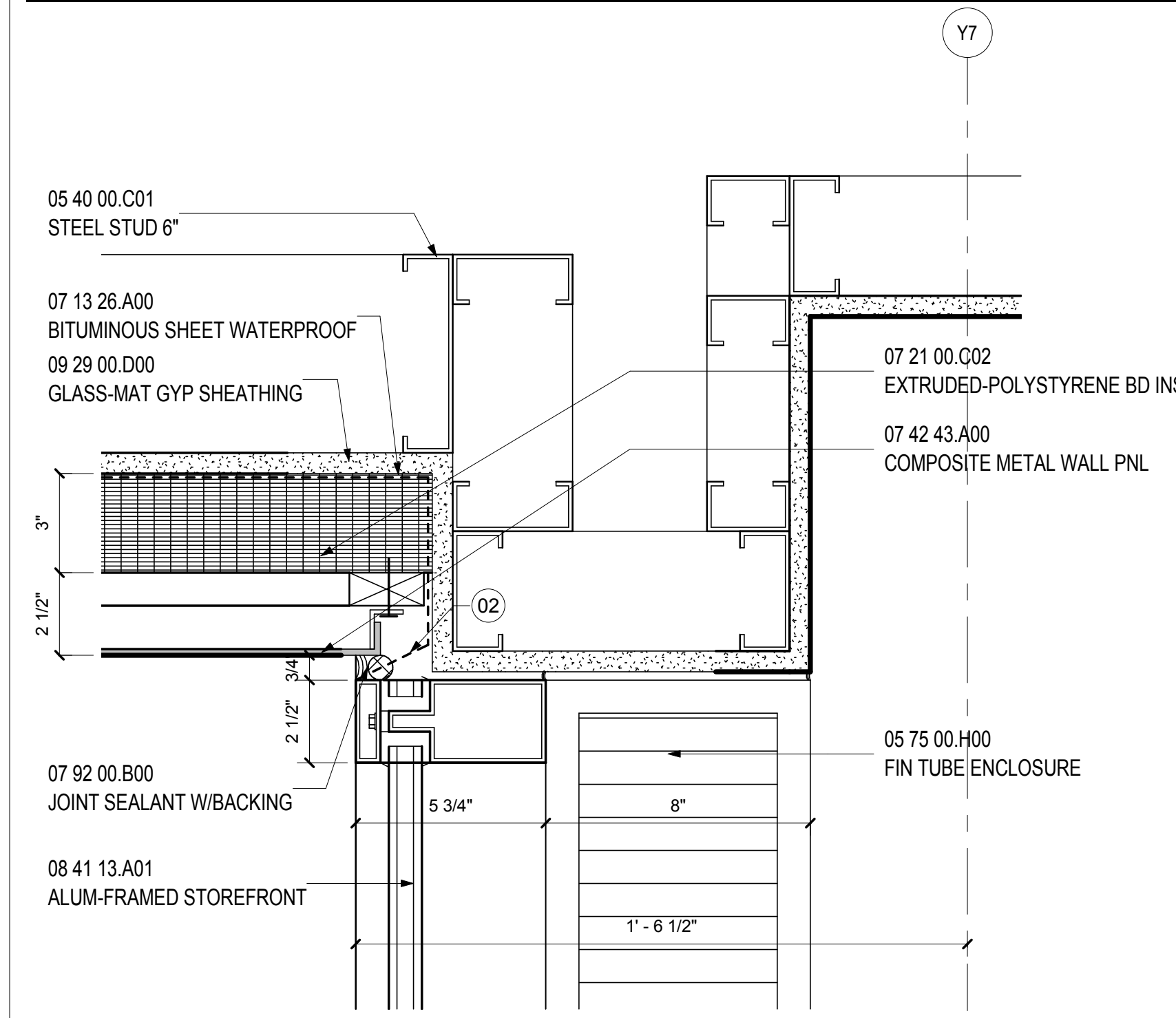
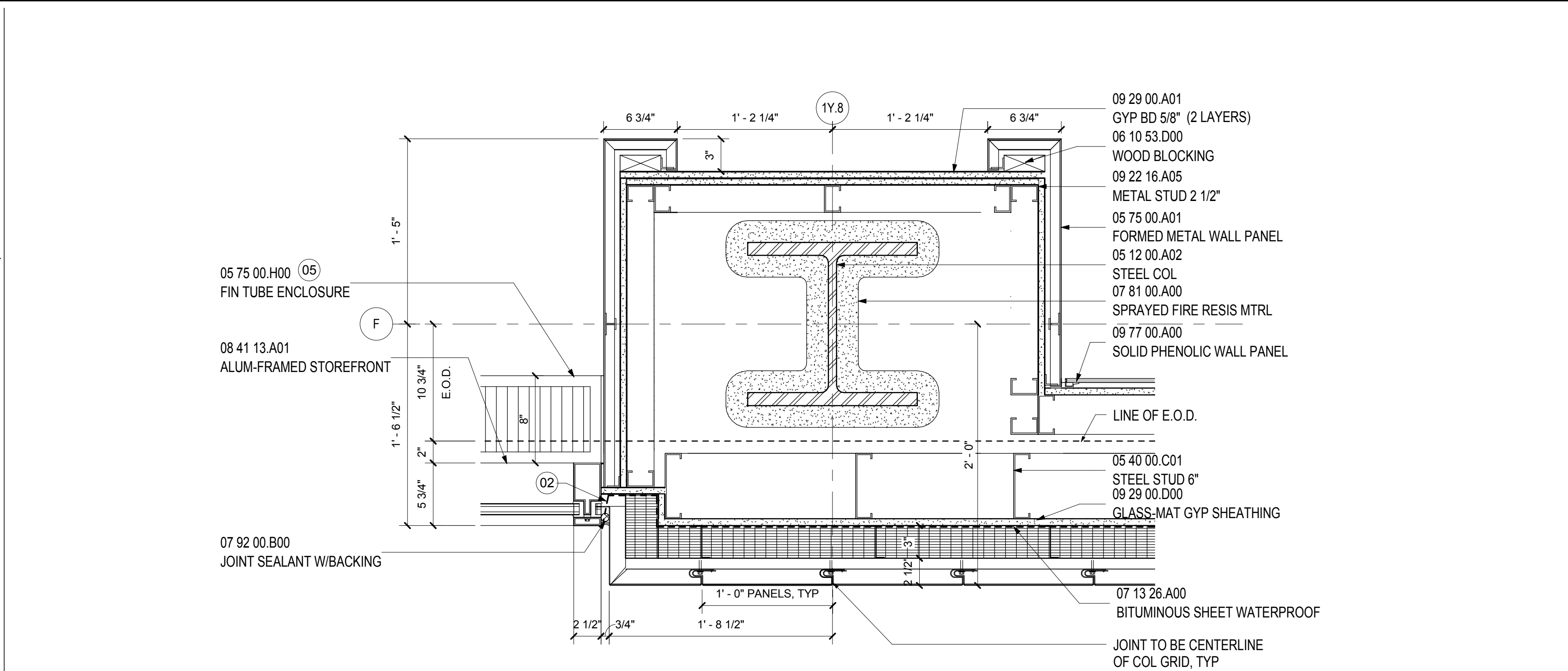


SHEET NOTES

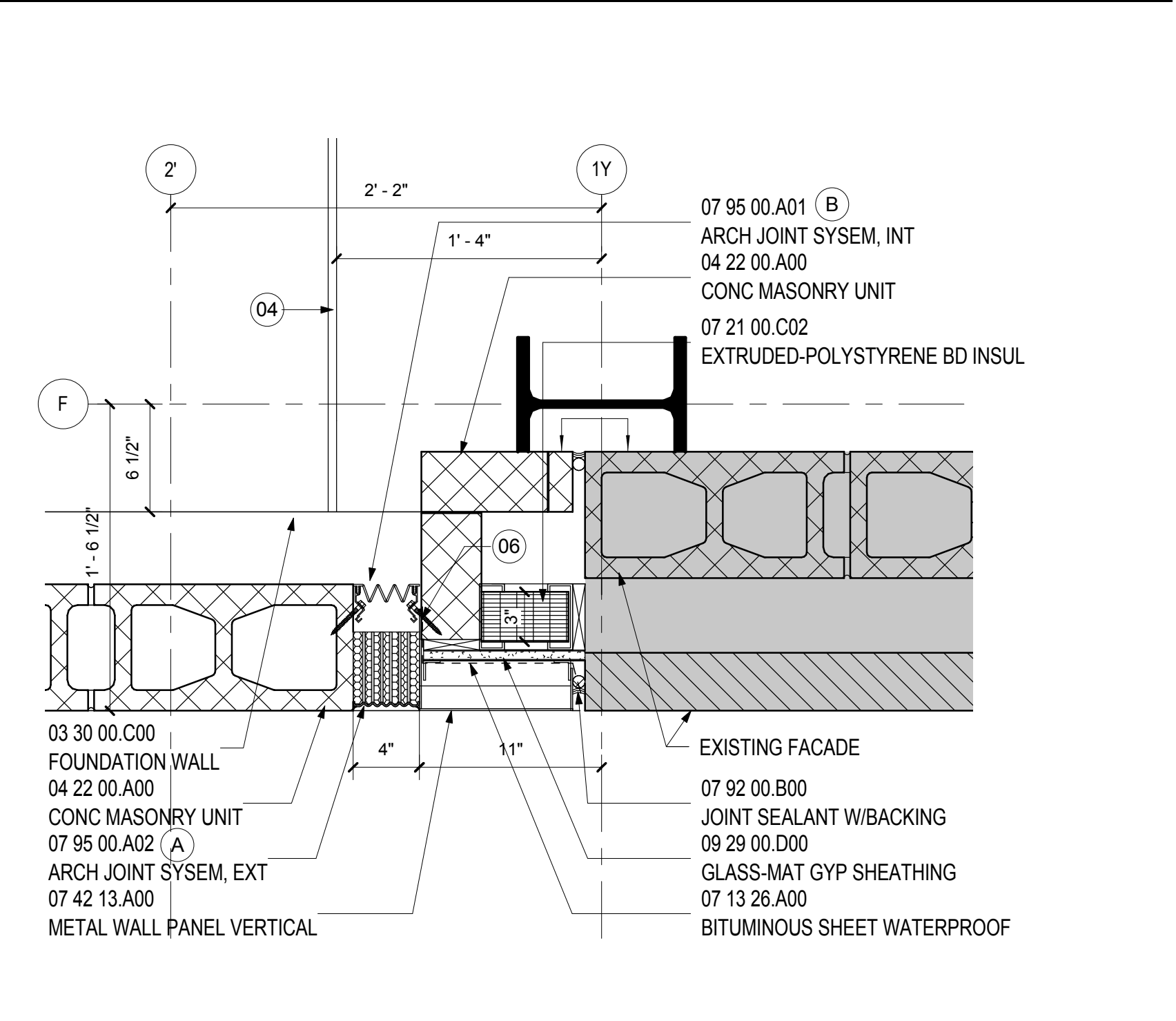
- 01 RAIN LEADER WHERE OCCURS. REF. PLUMBING DRAWINGS FOR LOCATIONS.
- 02 TAPE BITUMINOUS SHEET WATERPROOFING TO CURTAIN WALL FOR CONTINUOUS WATER/VAPOR/AIR BARRIER.
- 03 NEW STEEL TUBE TO SUPPORT END OF EXISTING CUT STEEL TUBE BUMPER. FINISH TO MATCH STEEL BUMPER. RE: STRUCTURAL DRAWINGS FOR MORE INFORMATION.
- 04 CONTRACTION/CONSTRUCTION JOINT. RE: STRUCTURAL DRAWINGS FOR MORE INFORMATION.
- 05 FIN TUBE ENCLOSURE. RE: MECHANICAL DRAWINGS FOR FIN TUBE INFORMATION.
- 06 TAPE BITUMINOUS SHEET WATERPROOFING TO EXPANSION JOINT (BOTH SIDES) FOR CONTINUOUS WATER/VAPOR/AIR BARRIER.
- 07 PROVIDE INTUMESCENT PAINT AT COLUMNS X02B AND X02B FROM LEVEL 2 TO UNDERSIDE OF LEVEL 4. PROVIDE SPRAY ON FIREPROOFING ABOVE LEVEL 4 AS REQUIRED.
- 08 STOP INSULATION, GYPSUM SHEATHING AND WATERPROOFING AT TOP OF CURB FOR REMOVABLE PANELS.
- 09 WRAP WATERPROOFING INTO FRAMED AREA OF REMOVABLE PANELS.
- 10 REMOVABLE METAL PANELS FOR ACCESS TO CHILLERS.
- 11 EXISTING STEEL TUBE AND RAIL CUT SHORT TO ACCOMMODATE NEW VESTIBULE. CAP ENDS OF STEEL TUBE AND HANDRAIL. FINISH TO MATCH.
- 12 GROUT SOLID
- 13 RADIAL CORNER
- 14 ALIGN TOP OF DOOR TO BOTTOM OF REVEAL OF THE ADJACENT METAL PANEL
- 15 EAST FACADE AT EGRESS STAIR TO BE 2HR RATED PER CODE DUE TO ADJACENCY TO GLAZING.
- 16 COORDINATE DIMENSION WITH REVOLVING DOOR AND STEEL DOOR LOCATIONS. VIF.
- 17 ALUMINUM DOOR CLADDED WITH METAL PANEL TO MATCH ADJACENT



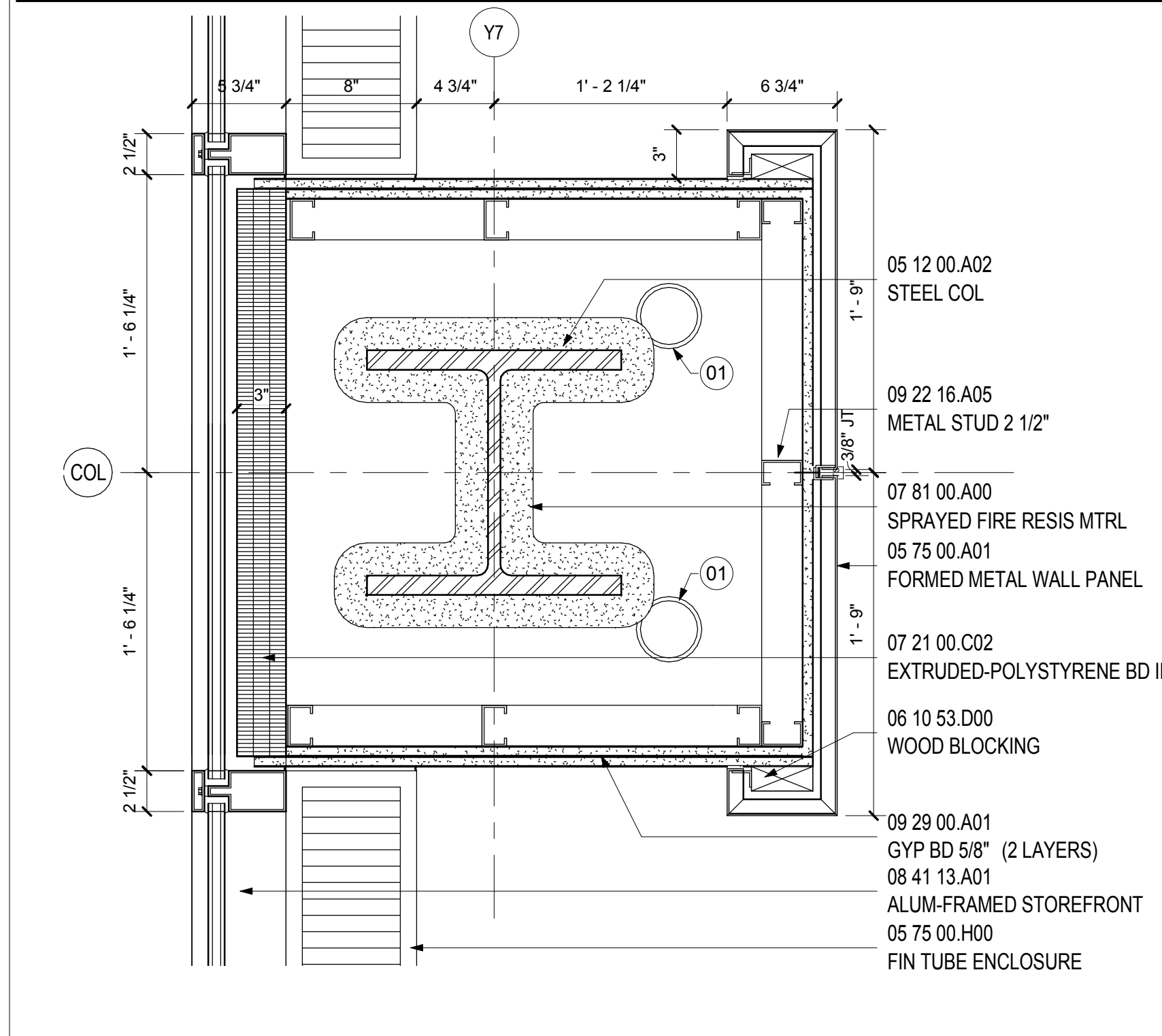
WALL TYPE E LVL 3 TRANSITION
SCALE: 3" = 1'-0"
A09.40



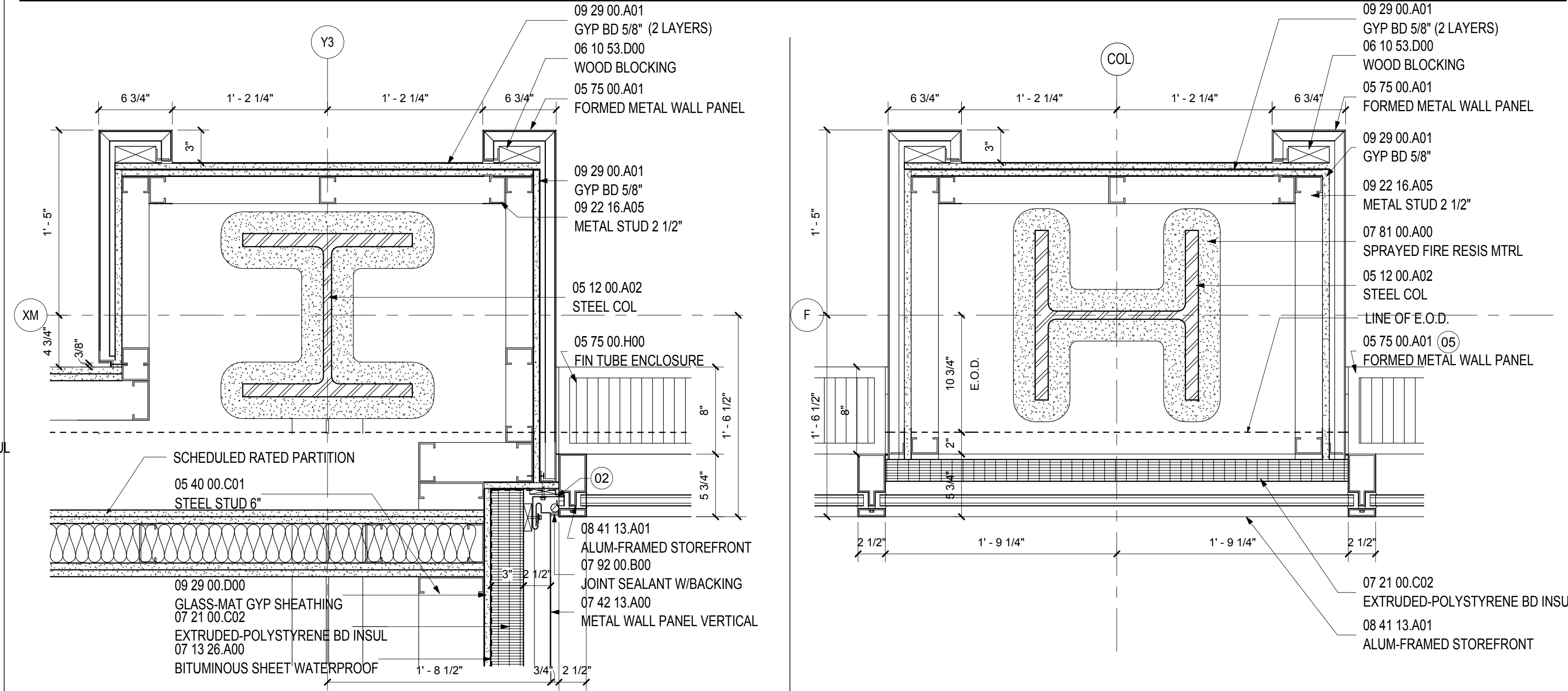
WALL TYPE E LVL 3 COL CVR
SCALE: 1 1/2" = 1'-0"
A09.60



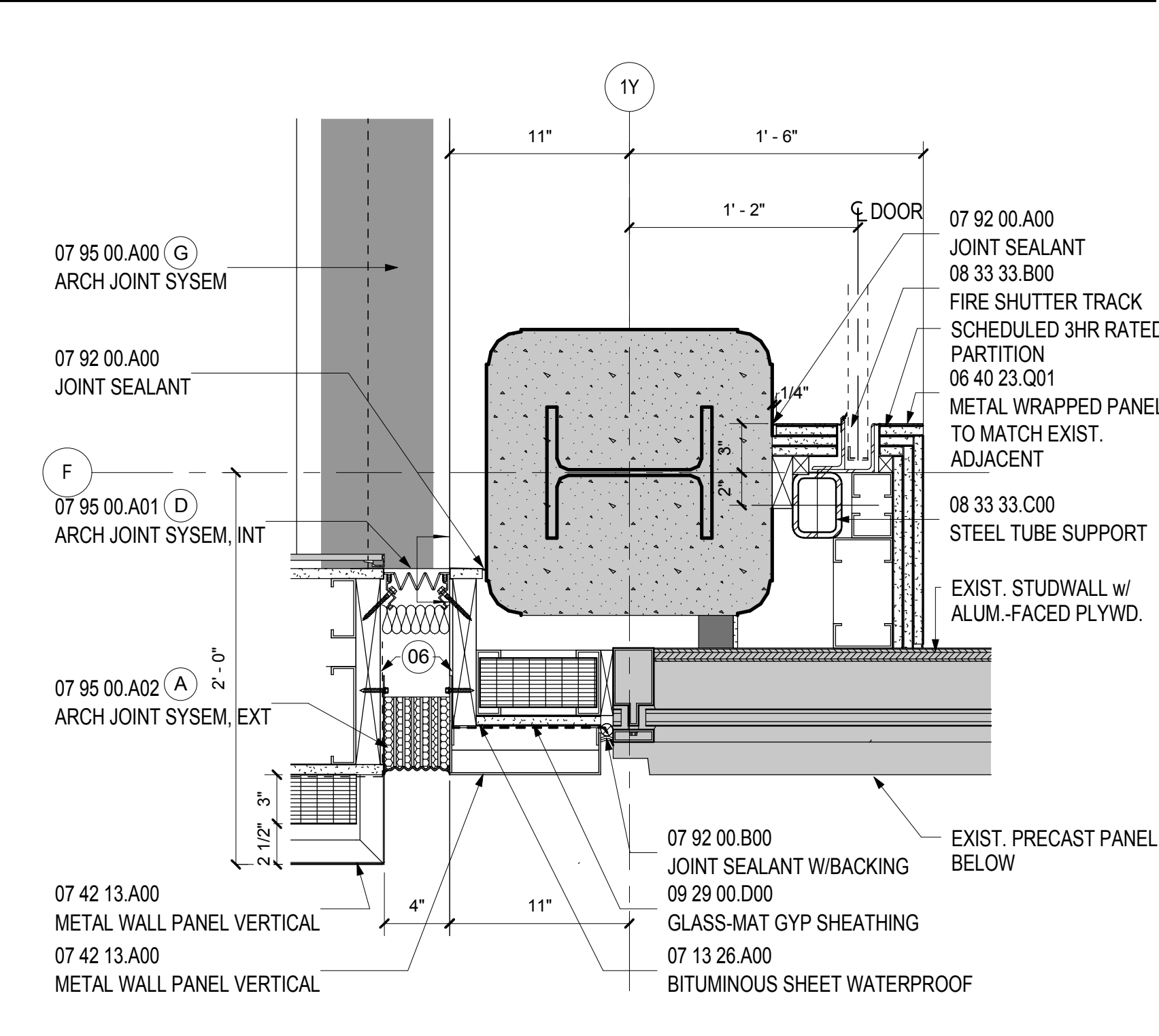
WALL TYPE E LVL 2 EXP JT
SCALE: 1 1/2" = 1'-0"
A09.60



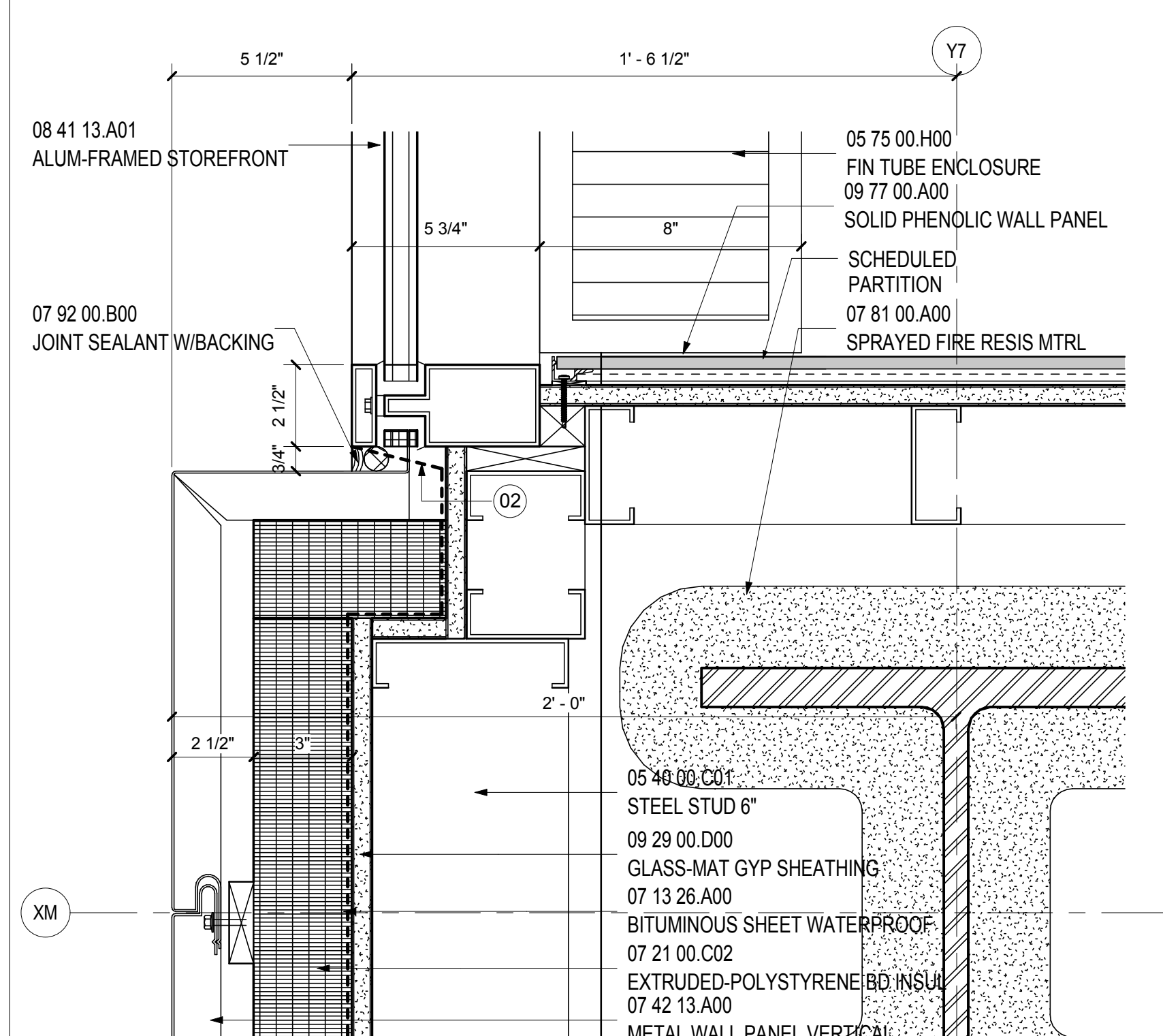
WALL TYPE E LVL 3 TYP COL WEST
SCALE: 1 1/2" = 1'-0"
A09.65



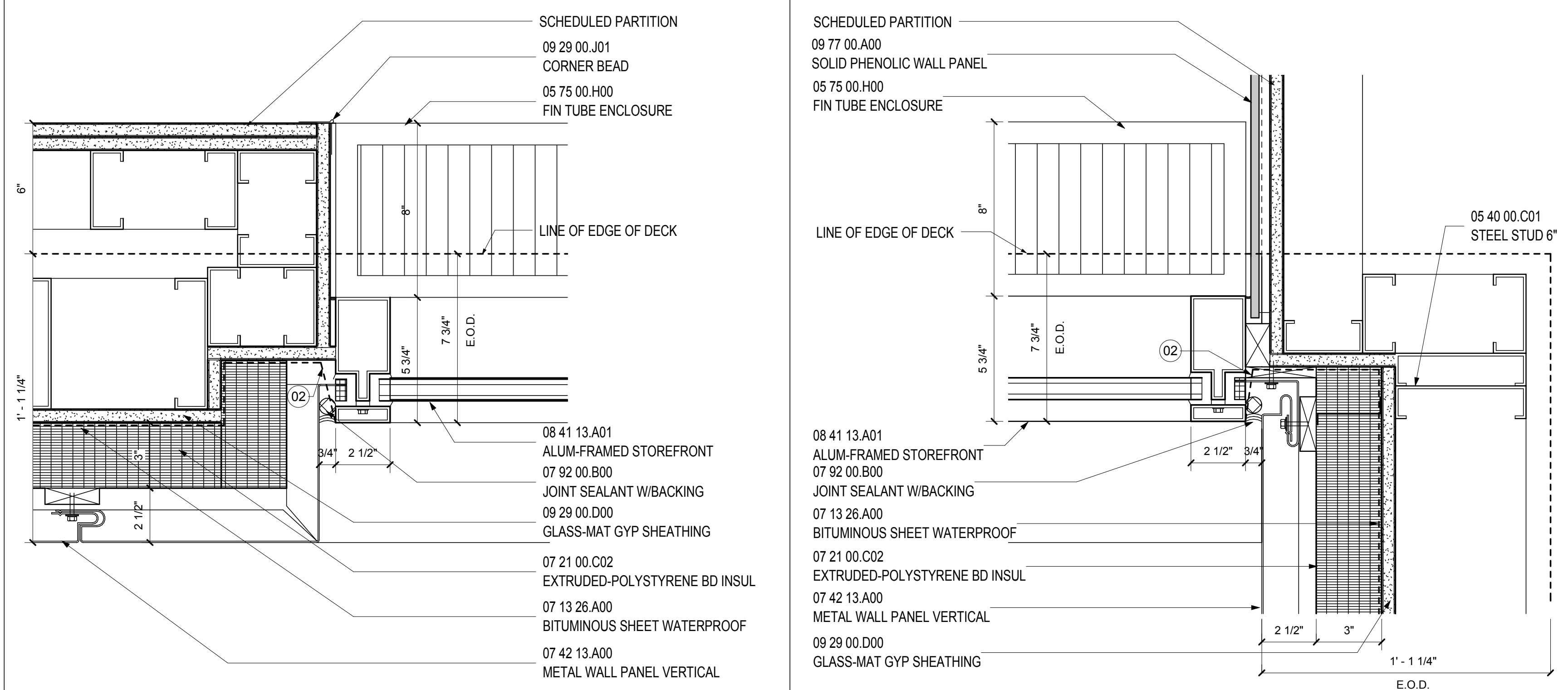
WALL TYPE E LVL 3 CORNER
SCALE: 1 1/2" = 1'-0"
A09.63



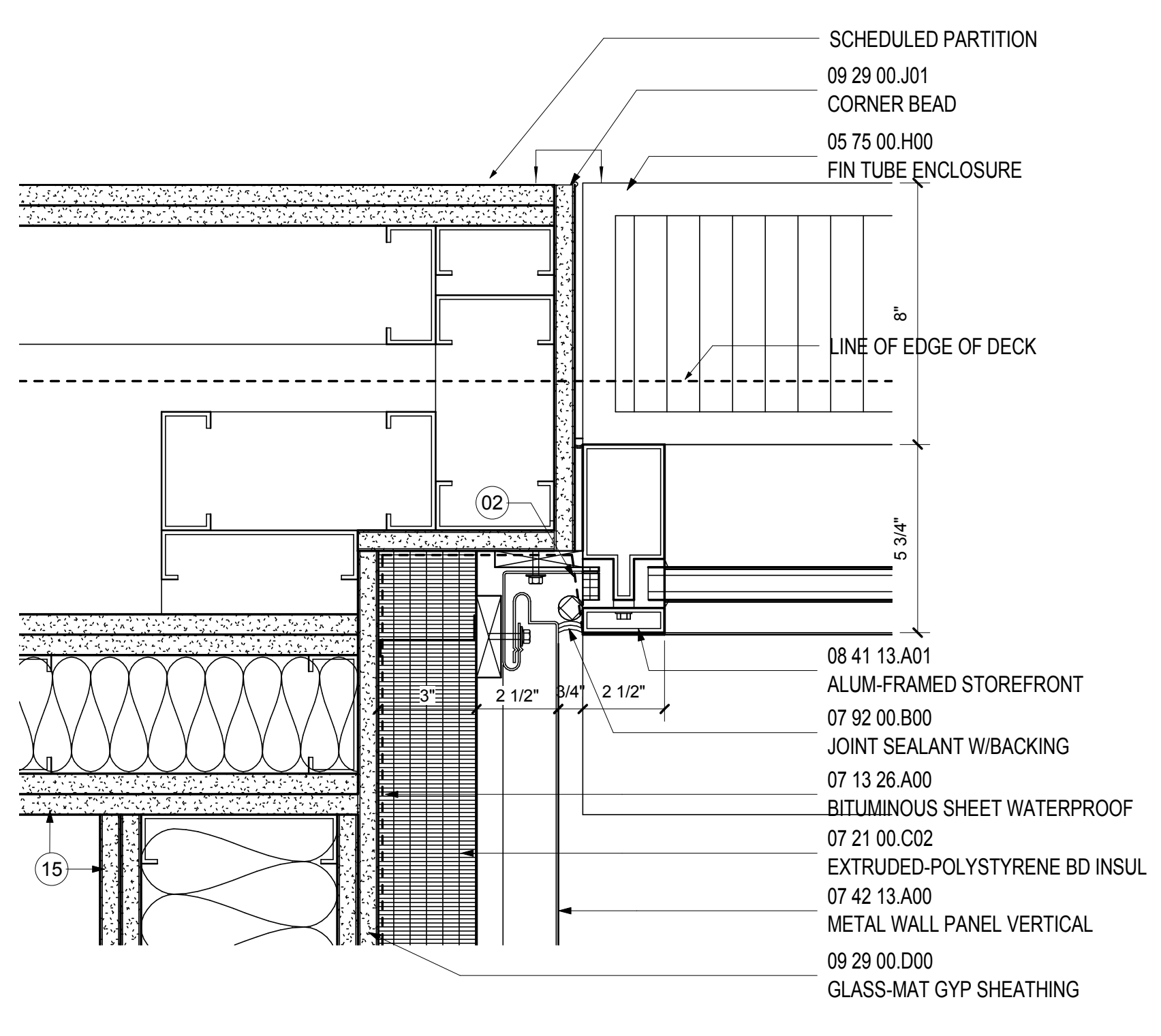
WALL TYPE E LVL 3 EXP JT
SCALE: 1 1/2" = 1'-0"
A09.60



WALL TYPE E LVL 3 AT TRESPA
SCALE: 3" = 1'-0"
A09.64



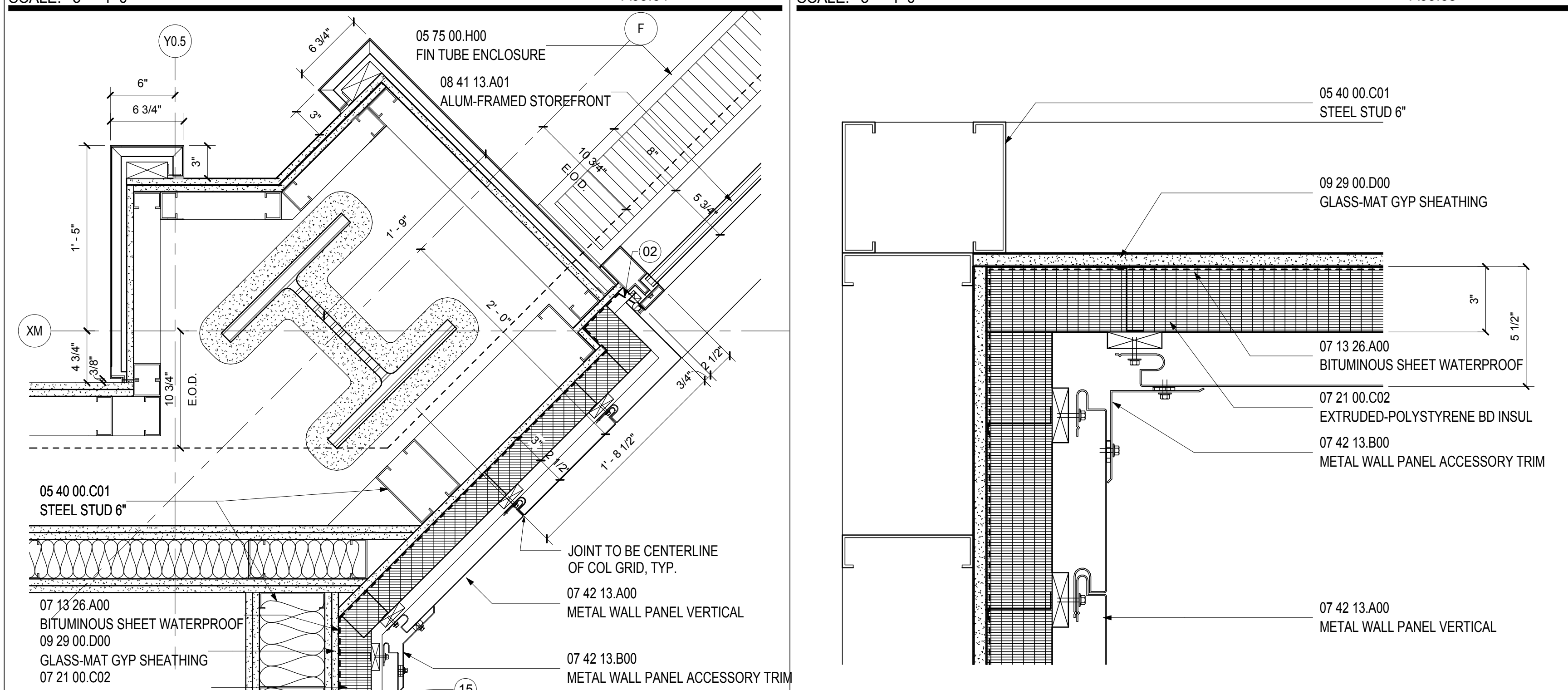
WALL TYPE E LVL 3 END
SCALE: 3" = 1'-0"
A09.64



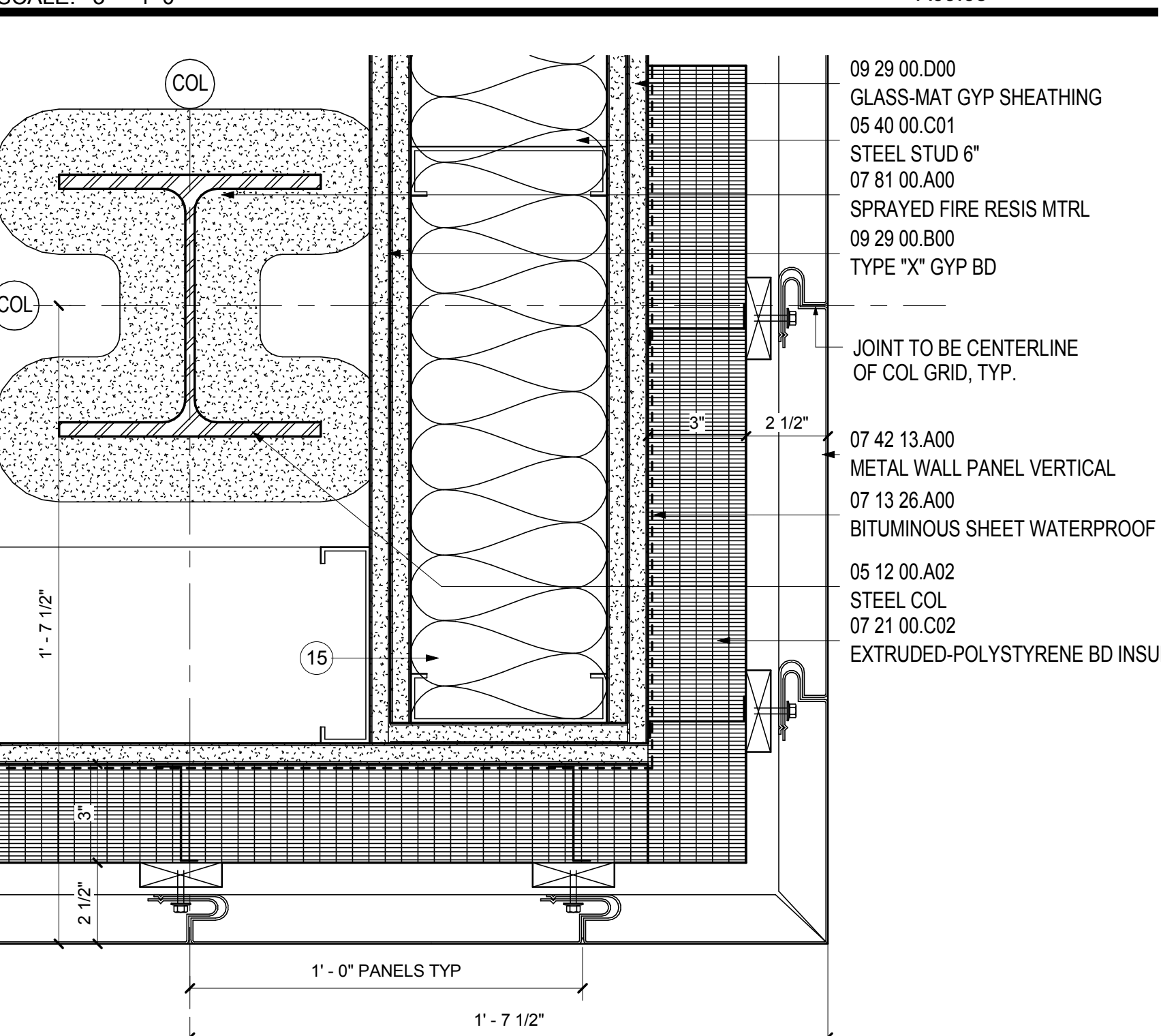
WALL TYPE E LVL 3 INSIDE CORNER.
SCALE: 3" = 1'-0"
A09.63



WALL TYPE E LVL 3 INSIDE CORNER...
SCALE: 1 1/2" = 1'-0"
A09.63



WALL TYPE E LVL 3 INSIDE CORNER..
SCALE: 3" = 1'-0"
A09.64



WALL TYPE E LVL 3 OUTSIDE CORNER
SCALE: 3" = 1'-0"
A09.63

Issue	Date & Issue Description	By	Check
01	12/01/08		
02	75% CONSTRUCTION DOCUMENTS		
03	01/23/09		
04	95% CONSTRUCTION DOCUMENTS		
05	10/26/09		
	ISSUED FOR PERMIT		

Seal/Signature

Project Name
PJM Terminal Enhancement

Project Number
09-6395-000

Description
PLAN DETAILS

Scale
As indicated

A12.02