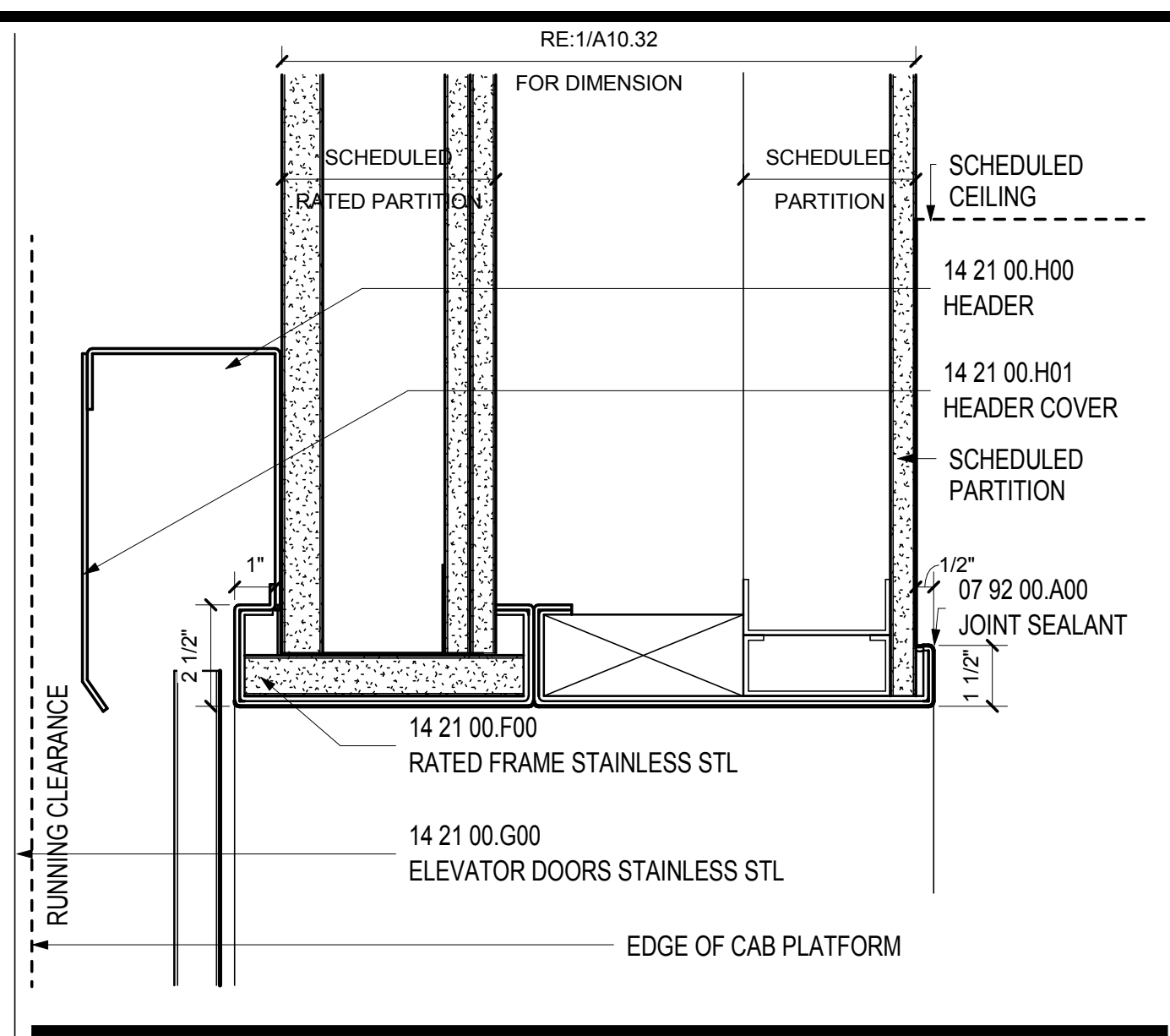
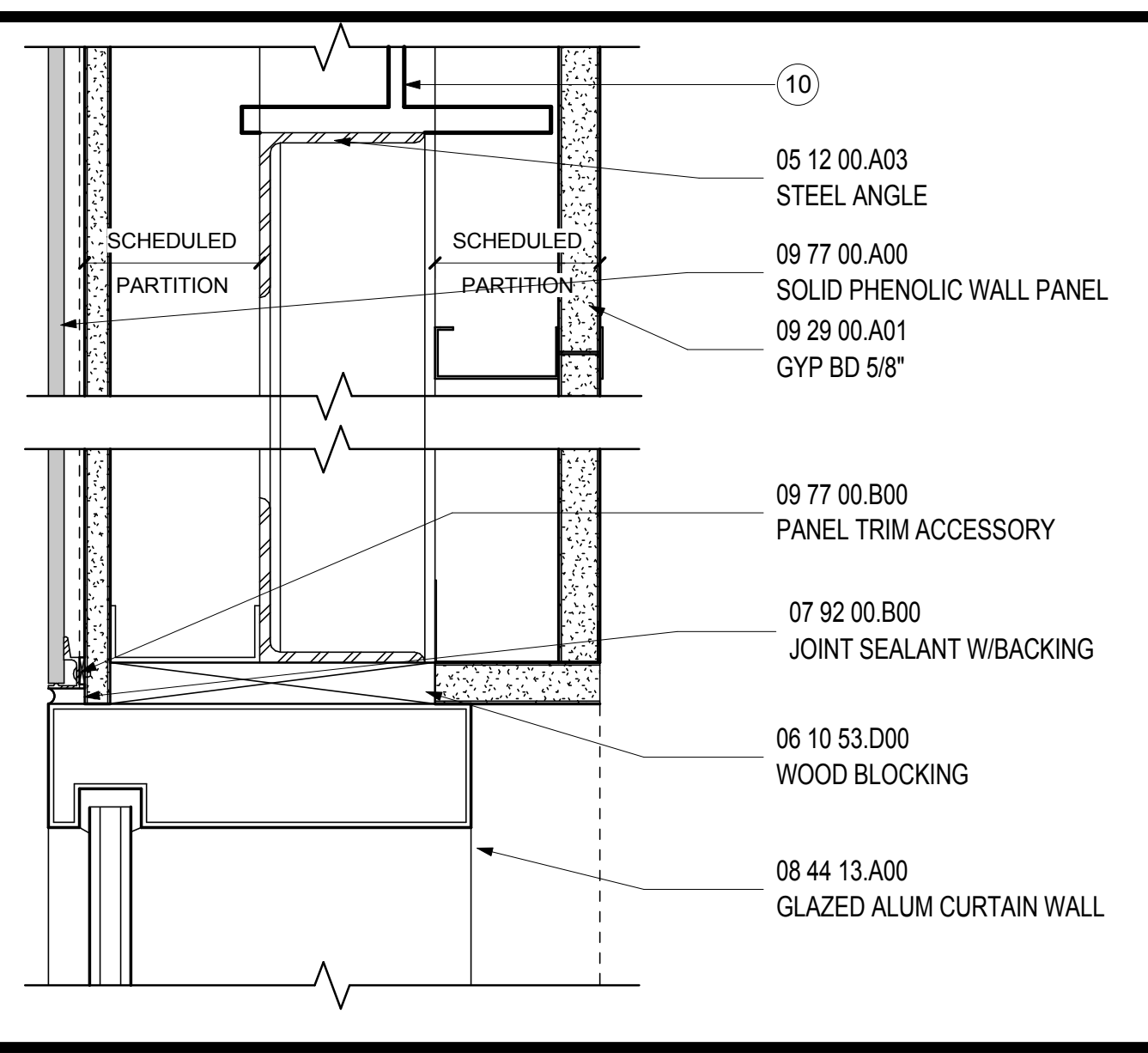


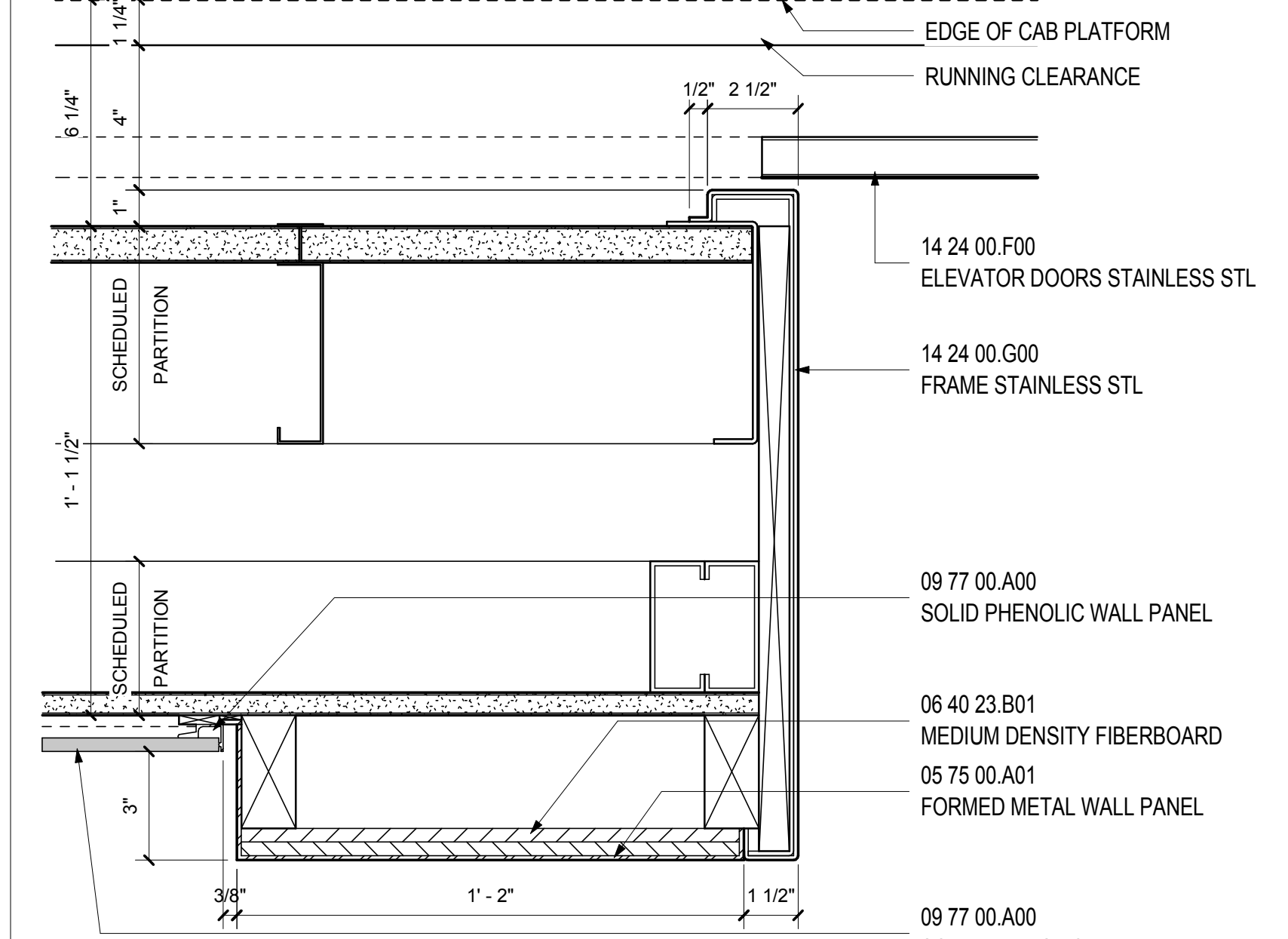
**HEAD DETAIL TYP @ ELEV 4, 5, 6 & 7**  
SCALE: 3" = 1'-0" A10.30 19



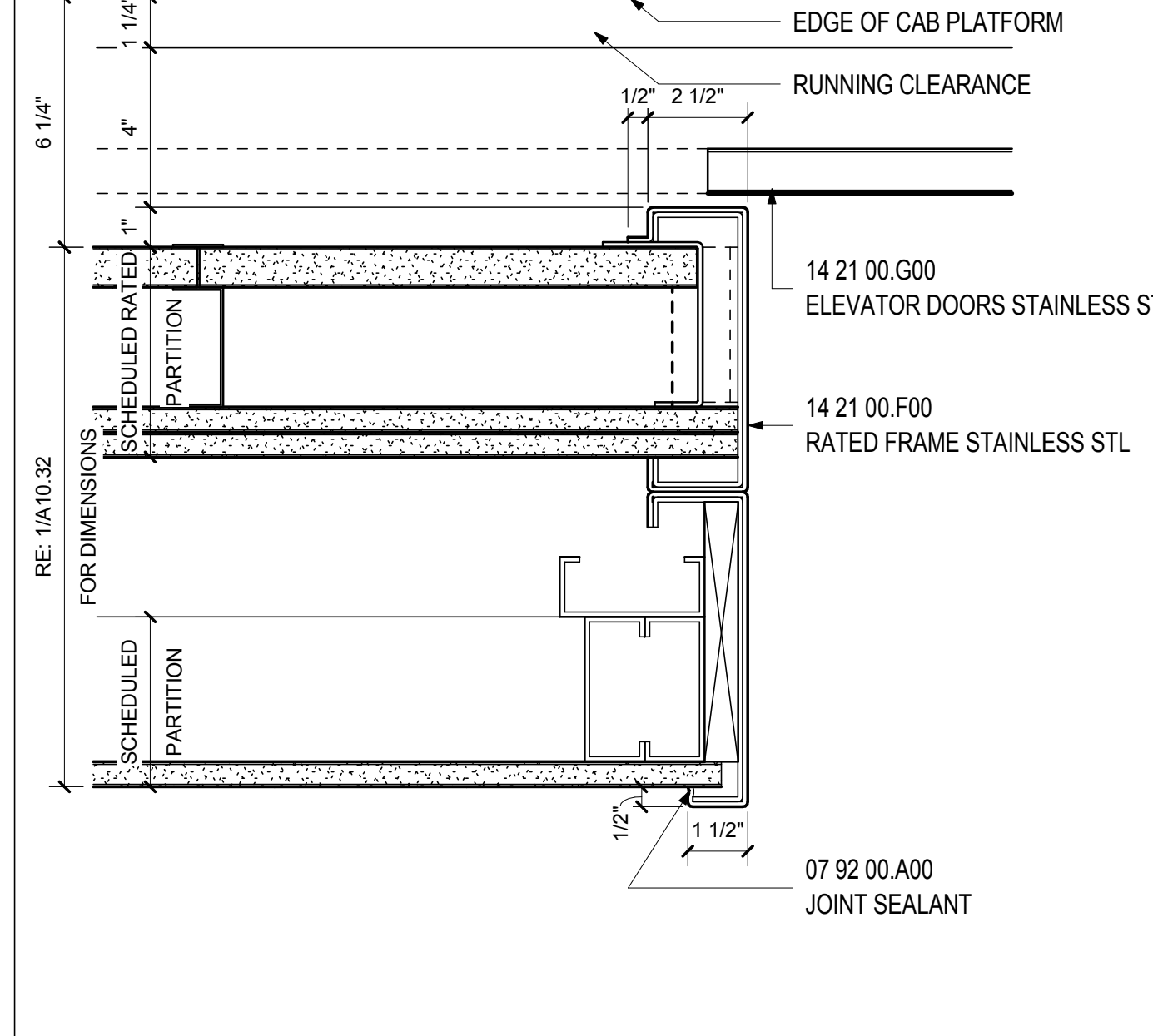
**HEAD DETAIL TYP @ ELEV 8**  
SCALE: 3" = 1'-0" A10.32 14



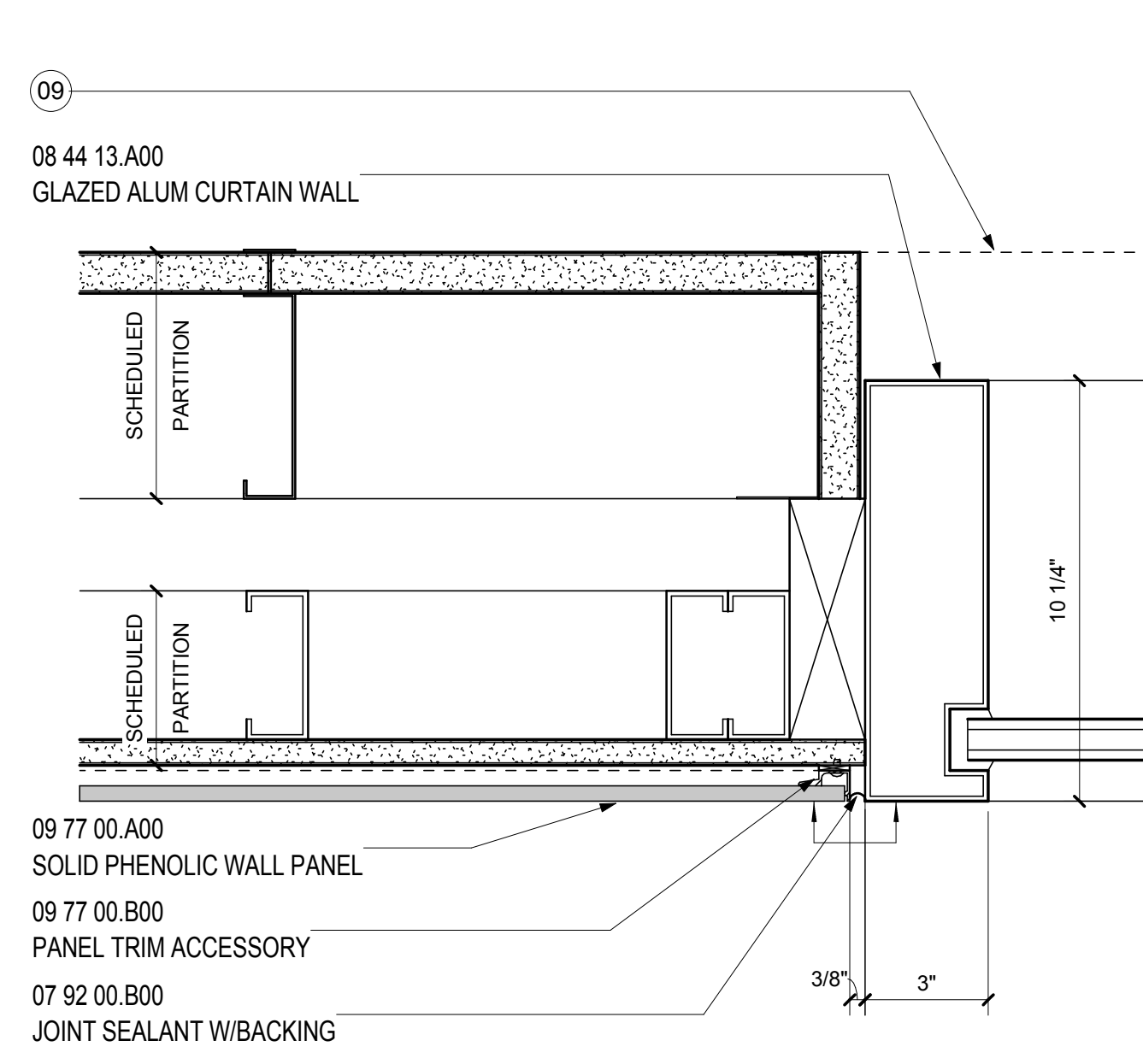
**MULLION HEAD @ ELEV 4, 5, 6 & 7**  
SCALE: 3" = 1'-0" A11.03 9



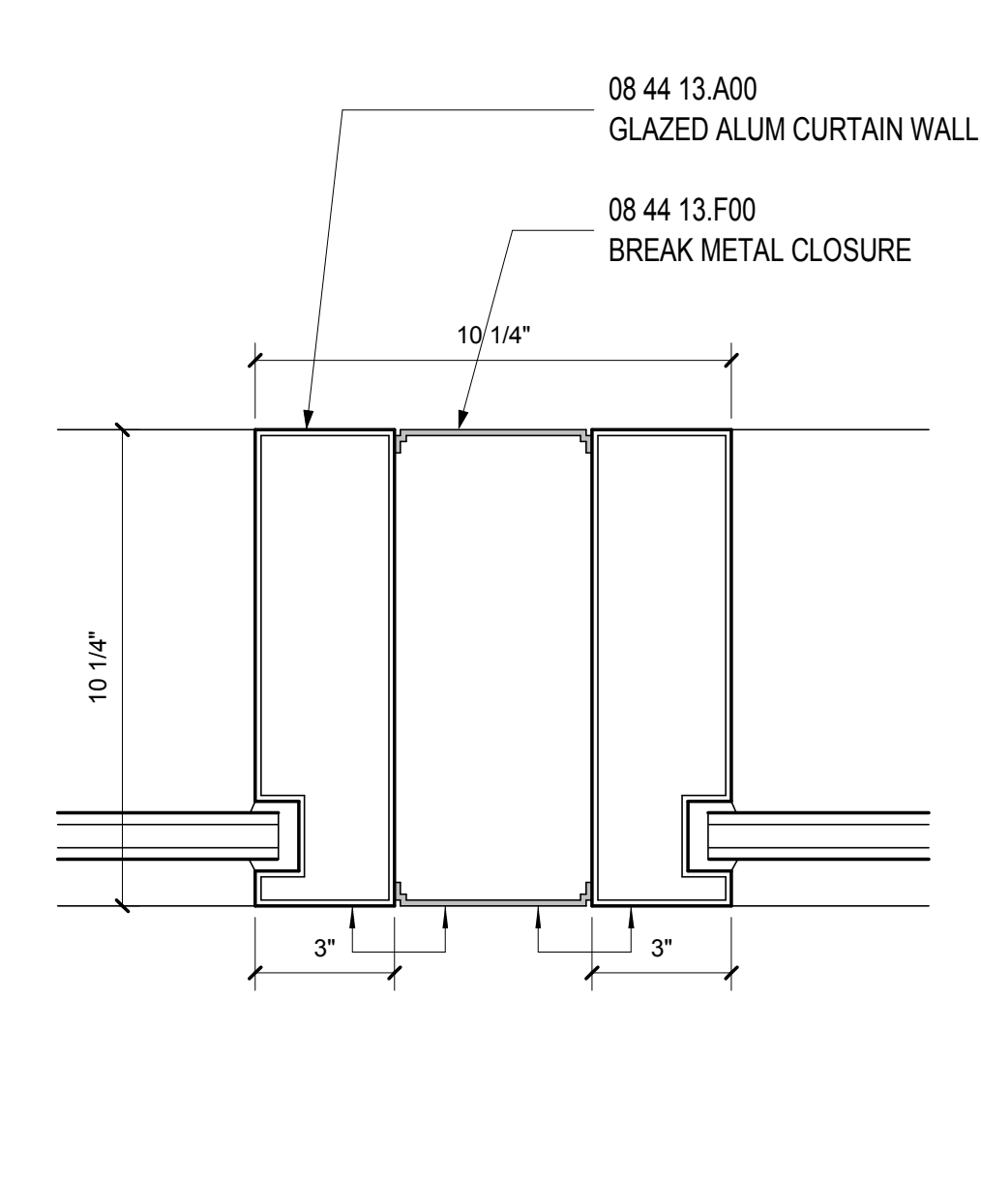
**JAMB DETAIL TYP @ ELEV 4, 5, 6 & 7**  
SCALE: 3" = 1'-0" A10.30 20



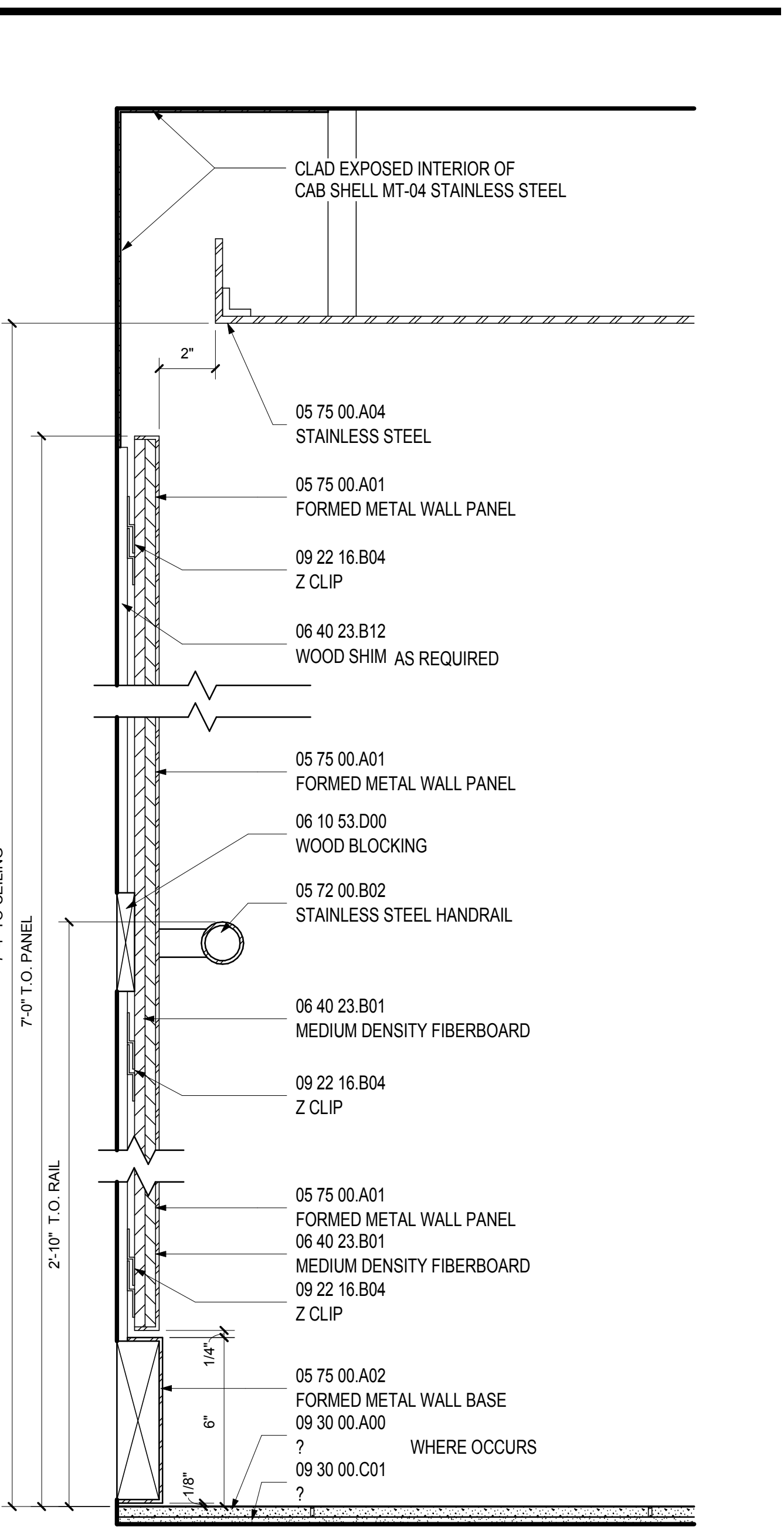
**JAMB DETAIL TYP @ ELEV 8**  
SCALE: 3" = 1'-0" A10.32 15



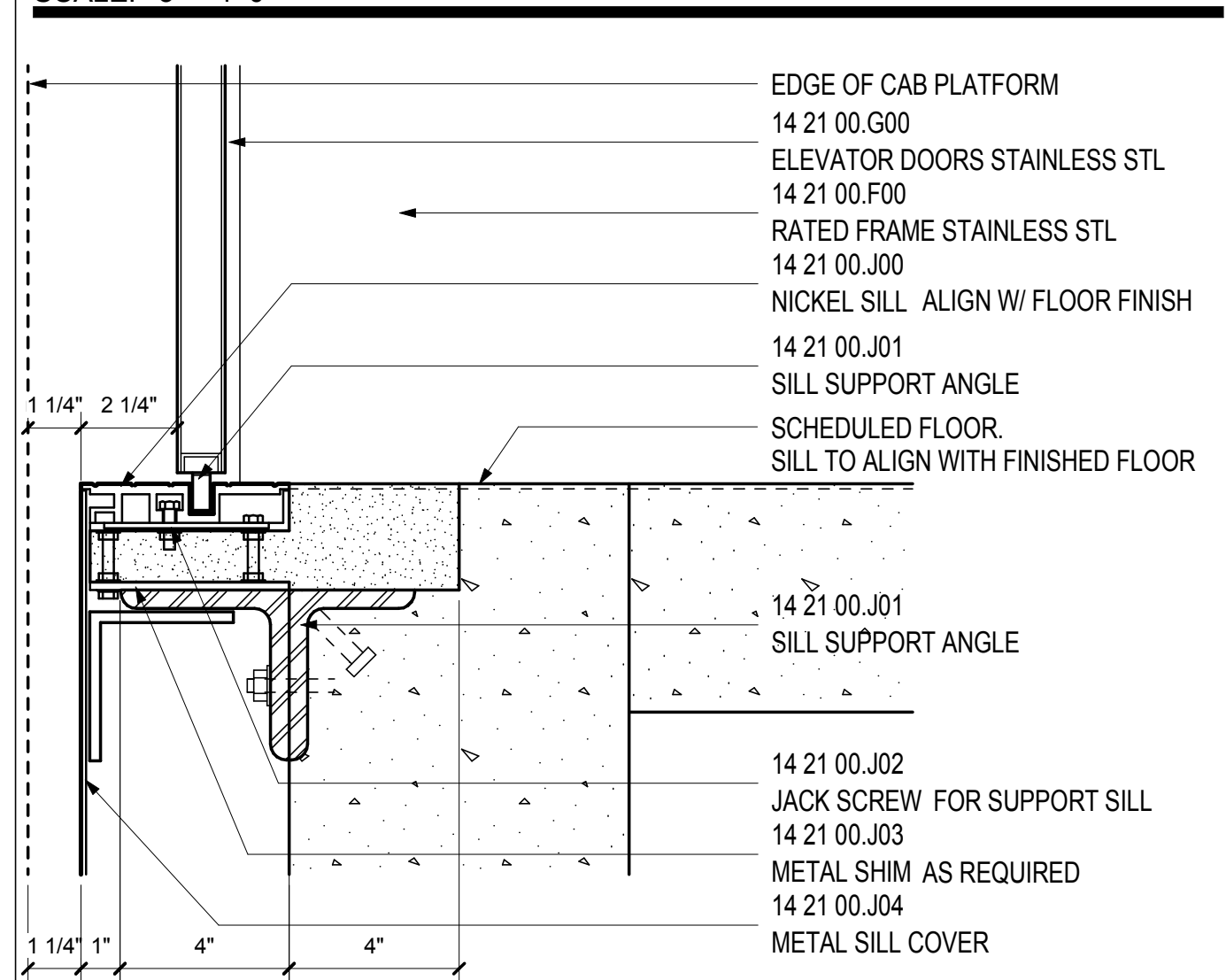
**MULLION JAMB @ ELEV 4, 5, 6 & 7**  
SCALE: 3" = 1'-0" A11.03 10



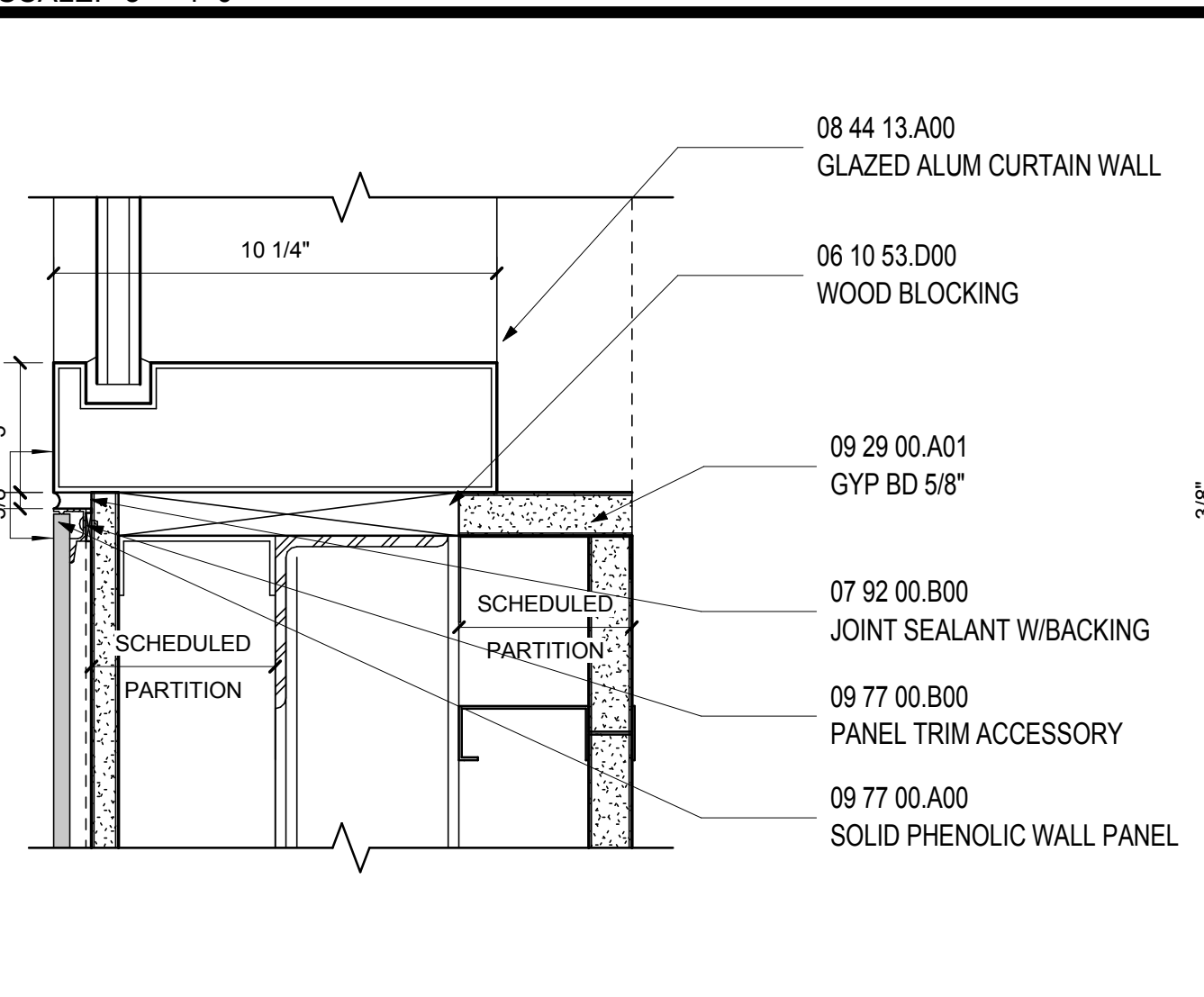
**INTERMEDIATE MULLION**  
SCALE: 3" = 1'-0" A11.03 5



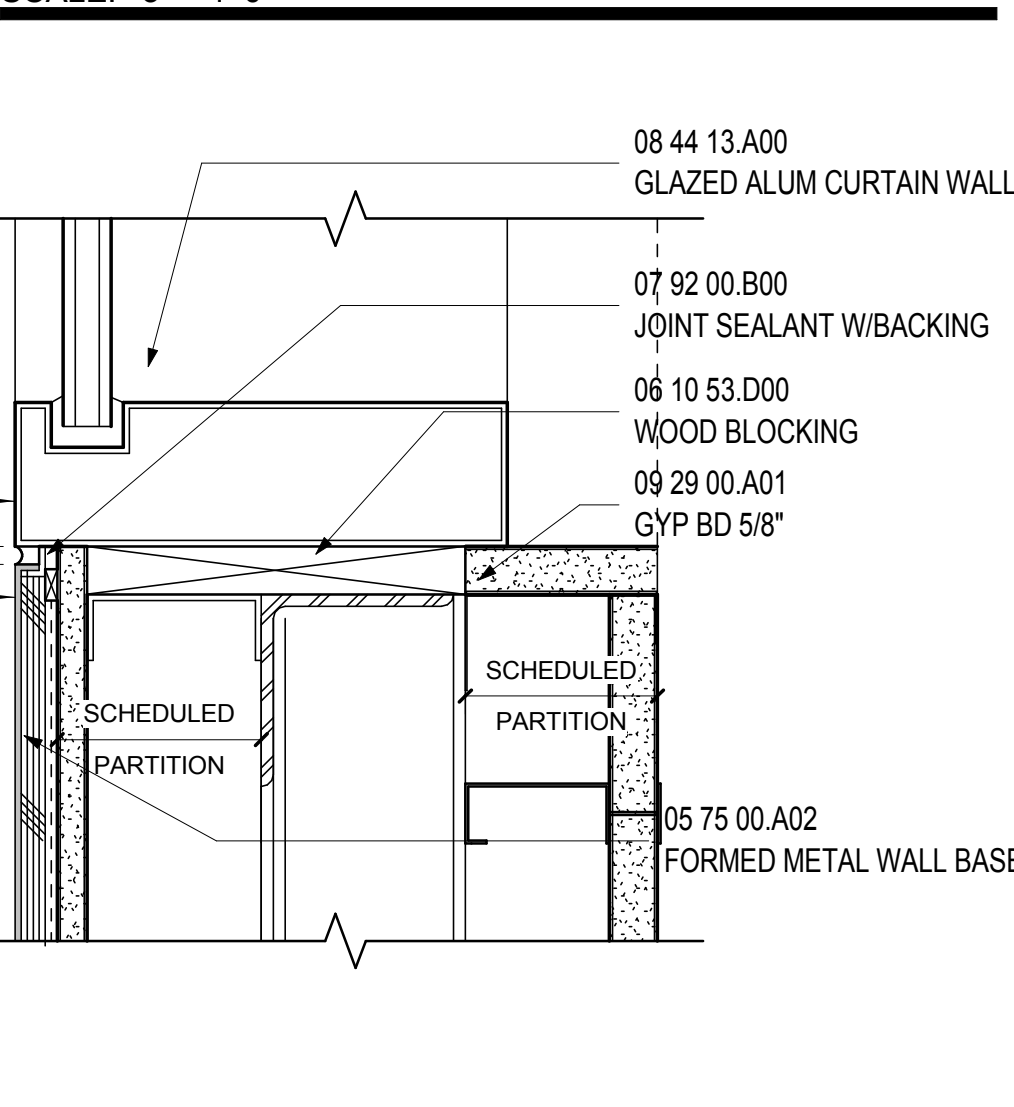
**SECTION @ METAL WALL AT ELEVATORS 1**  
SCALE: 3" = 1'-0" A10.30



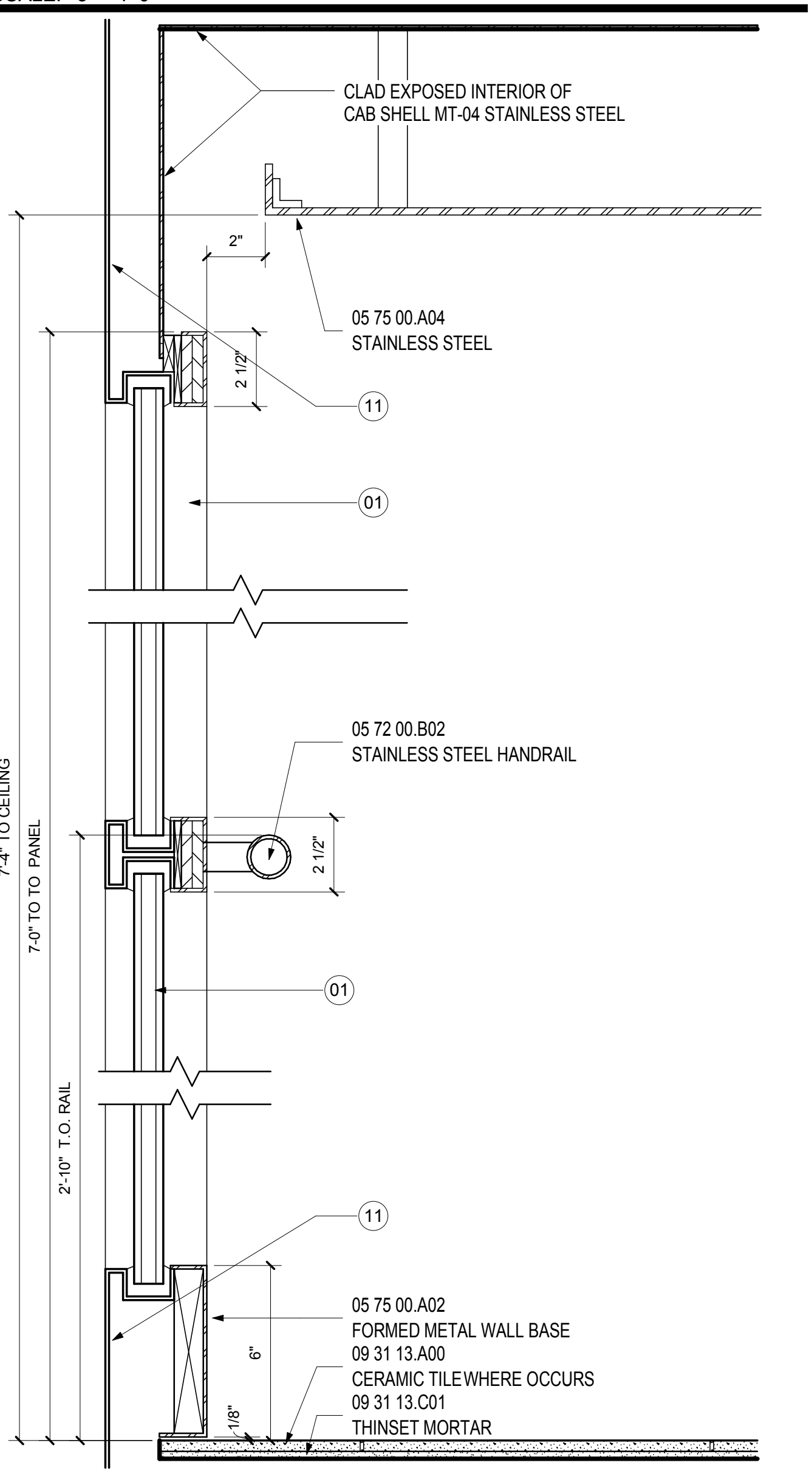
**SILL DETAIL TYPICAL**  
SCALE: 3" = 1'-0" A10.30 16



**TRESPA SILL @ ELEV 4, 5, 6 & 7**  
SCALE: 3" = 1'-0" A11.03 11



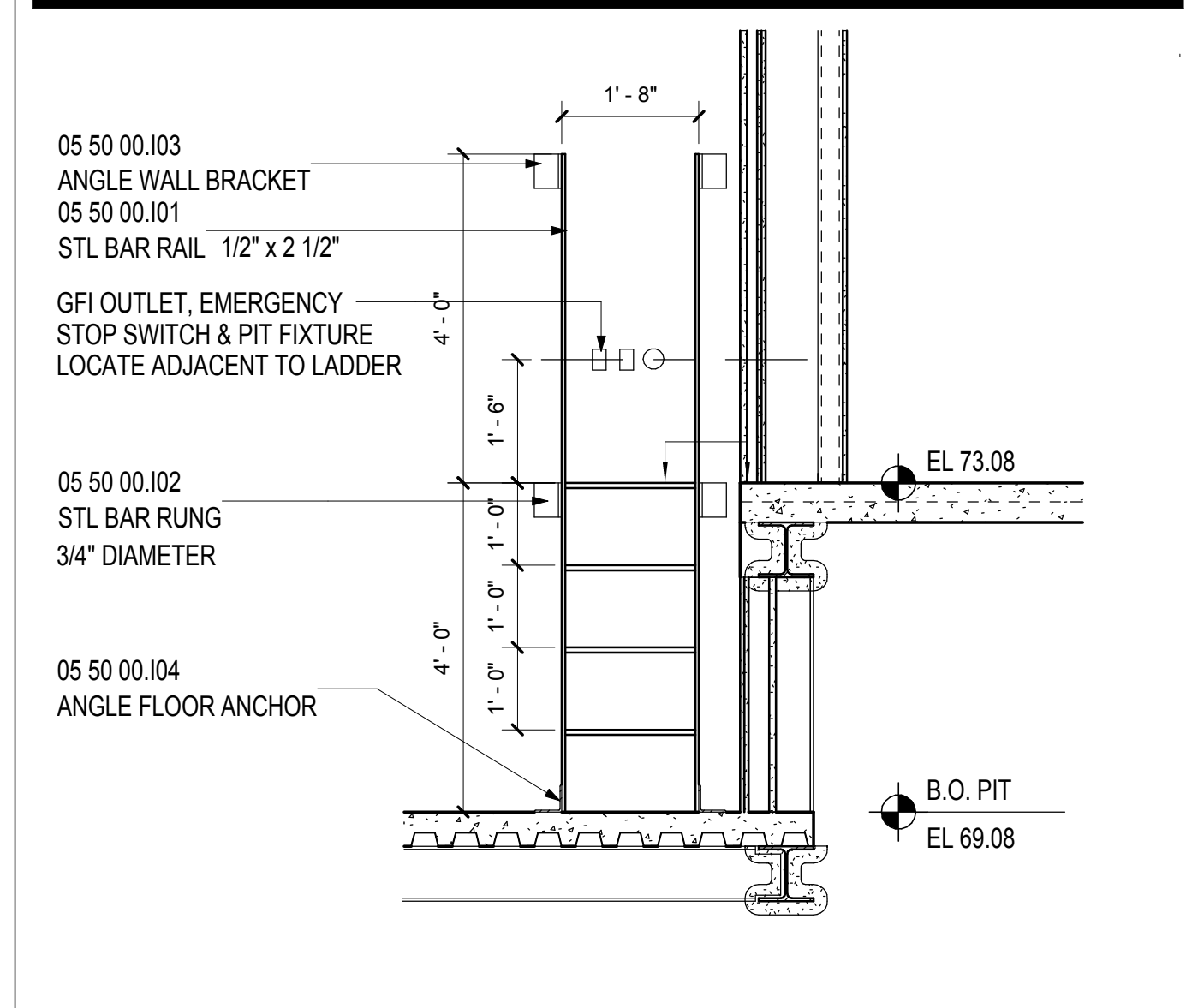
**METAL SILL @ ELEV 4, 5, 6 & 7**  
SCALE: 3" = 1'-0" A11.03 6



**SECTION @ GLASS WALL AT ELEVATORS 2**  
SCALE: 3" = 1'-0" A10.30



**PIT LADDER - ELEV 6 & 7**  
SCALE: 1/2" = 1'-0" A10.31 17



**PIT LADDER - ELEV 4, 5 & 8**  
SCALE: 1/2" = 1'-0" A10.30 12

**SHEET NOTES**

- 01 SIDE WALLS OF ELEVATOR CAB IS CLEAR GLASS. COORDINATE WITH ELEVATOR MANUFACTURER.
- 02 EMERGENCY ACCESS PANEL
- 03 CCTV SECURITY CAMERA
- 04 1 1/2" DIAMETER STAINLESS STEEL HANDRAIL
- 05 PIT LADDER
- 06 ALL EXPOSED STEEL AND WALLS WITH IN SHAFT TO BE PAINTED. RE: FINISH PLAN FOR FINISH
- 07 HOISTWAY LIGHT FIXTURE WITH WIRE GUARD. MOUNTED PER ELEVATOR MANUFACTURERS REQUIREMENTS.
- 08 PROVIDED METAL OXIDE WATER PROOFING AND WATER STOPS IN AND AROUND PIT. RE: SECTION 07 16 19 IN THE PROJECT MANUAL FOR MORE INFORMATION.
- 09 LINE OF SILL BELOW
- 10 STRUCTURAL STEEL. RE: STRUCTURAL DRAWINGS FOR ADDITIONAL INFORMATION
- 11 PROVIDE STAINLESS STEEL FASCIA TO COVER CAB EXTERIOR ON GLASS SIDE ONLY

**Portland International Jetport**  
1001 Westbrook Street  
Portland, Maine 04102

**Gensler**

2020 K Street, Northwest  
Suite 200  
Washington DC 20006  
Telephone 202.721.5200  
Facsimile 202.872.8587

Issue	Date & Issue Description	By	Check
01	01/22/09		
02	95% CONSTRUCTION DOCUMENTS		
02	10/28/09		
	ISSUED FOR PERMIT		

**GENERAL NOTES**

- A ALL PIT DIMENSIONS AND CAB SIZES TO BE COORDINATED WITH SELECTED MANUFACTURER UPON PROCUREMENT
- B MANUFACTURER TO PROVIDE ALL ELEMENTS TO COMPLY WITH ALL GOVERNING CODES.
- C GLASS SIDE WALL ELEVATORS TO BE PER ELEVATOR MANUFACTURERS DRAWINGS. ELEVATIONS AND DETAILS ARE FOR DESIGN INTENT ONLY.

Seal/Signature

Project Name  
PJM Terminal Enhancement

Project Number  
09 6395.000

Description  
VERTICAL CIRCULATION - ELEVATOR DETAILS

Scale  
As indicated

**A10.34**

© 2009 Gensler