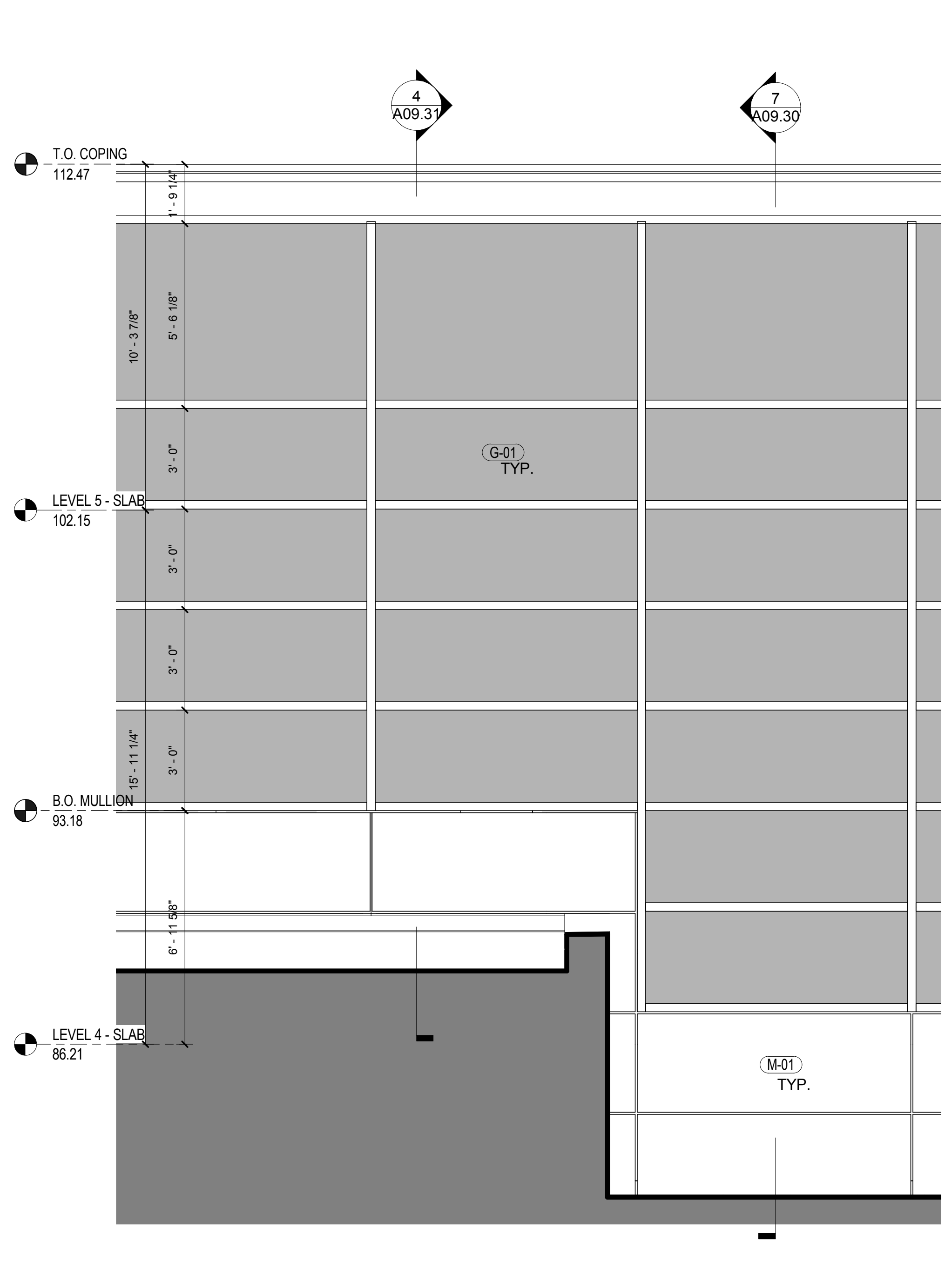
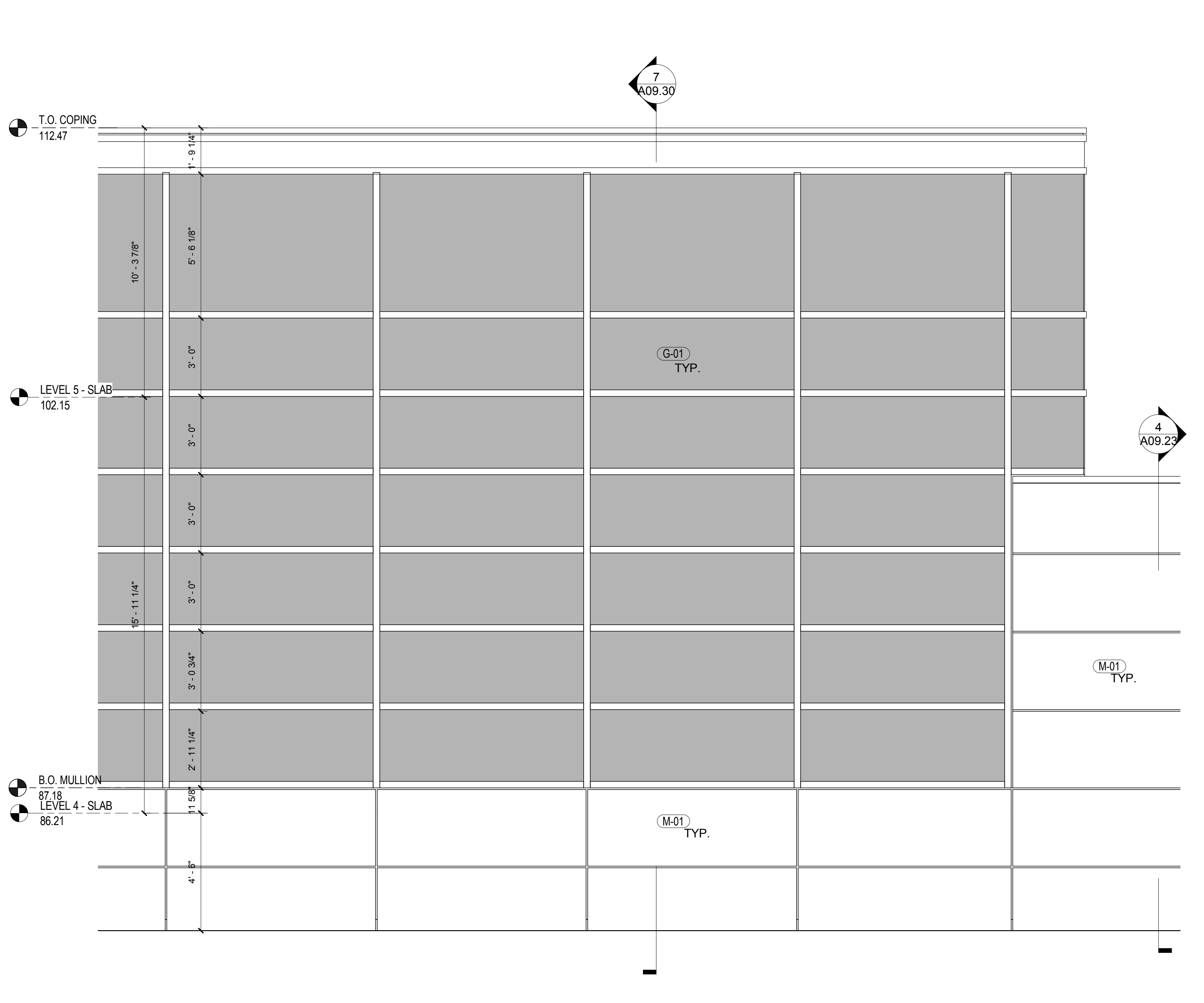


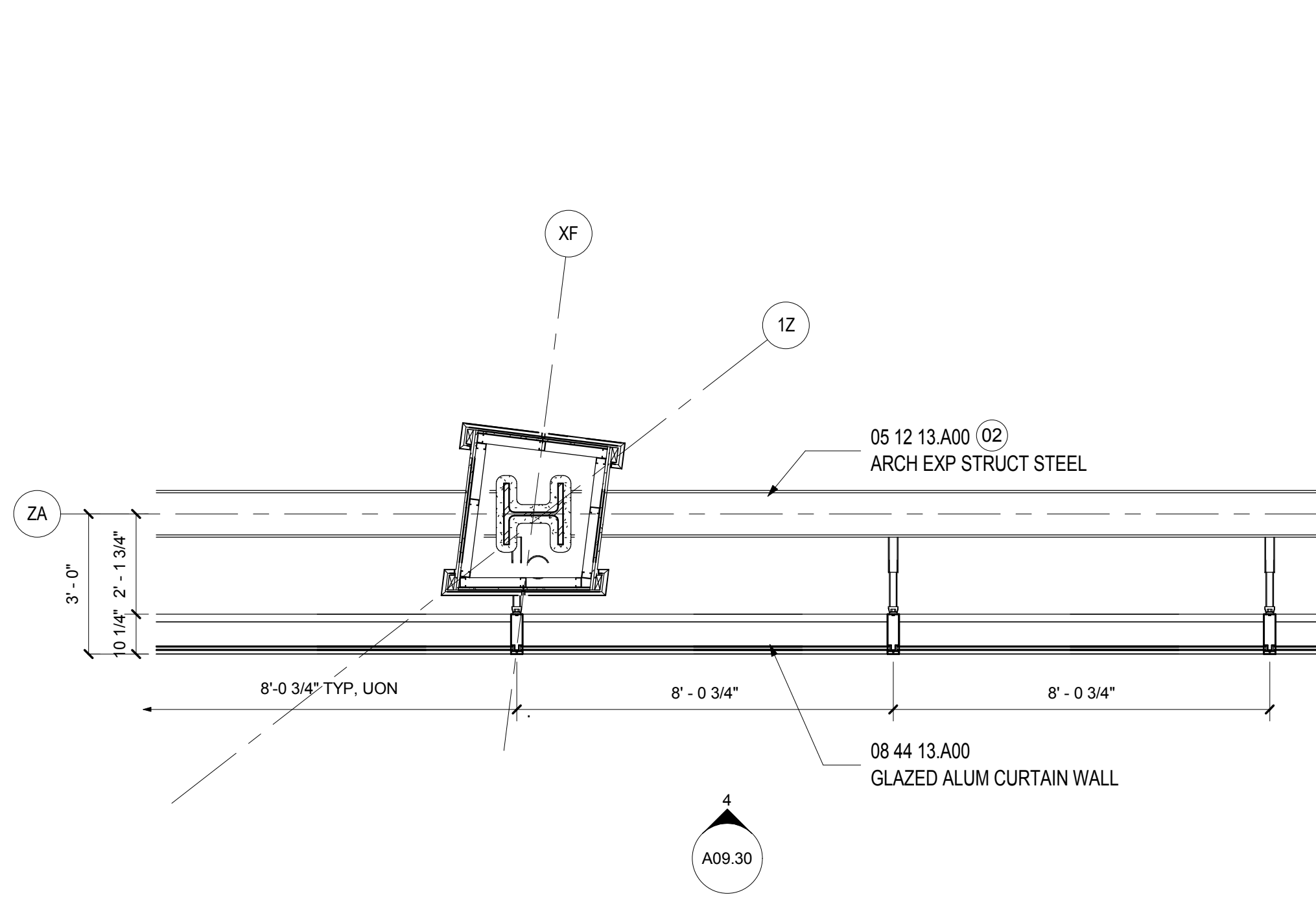
WALL TYPE B.1 - SECTION 1
SCALE: 3/8" = 1'-0" A09.30



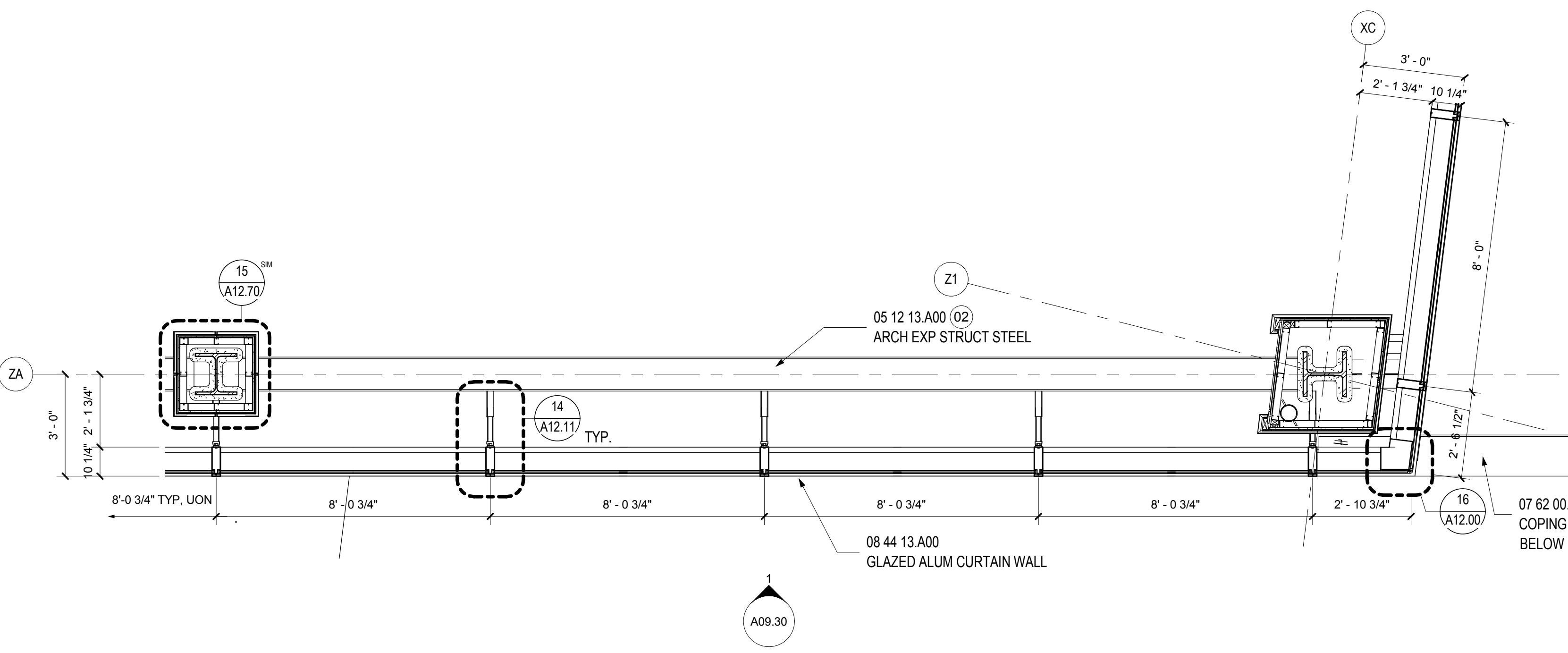
WALL TYPE B.1 - ELEVATION
SCALE: 3/8" = 1'-0" A09.02



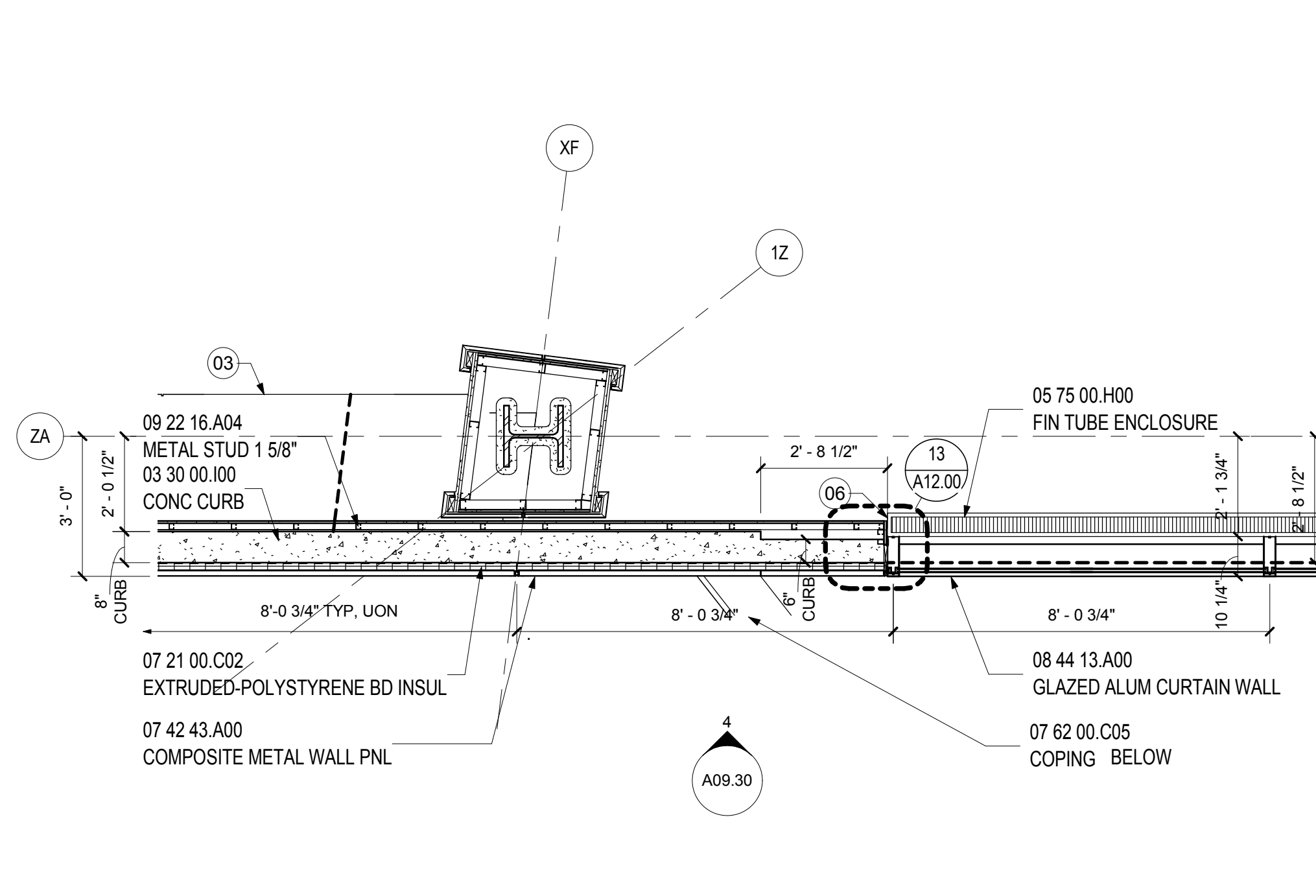
WALL TYPE B - ELEVATION
SCALE: 3/8" = 1'-0" A09.02



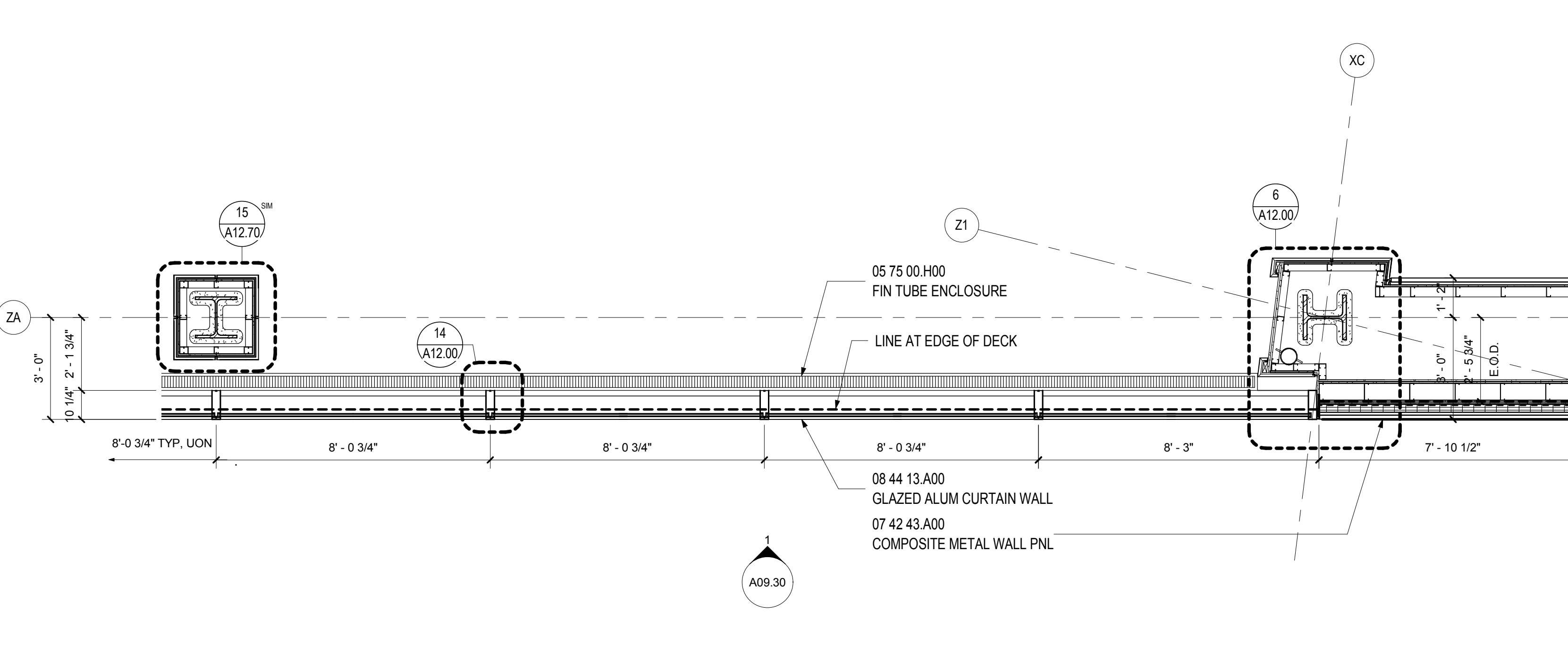
WALL TYPE B.1 - PLAN LEVEL 5
SCALE: 3/8" = 1'-0" A02.05.04



WALL TYPE B - PLAN LEVEL 5
SCALE: 3/8" = 1'-0" A02.05.04



WALL TYPE B.1 - PLAN LEVEL 4
SCALE: 3/8" = 1'-0" A02.04.04



WALL TYPE B - PLAN LEVEL 4
SCALE: 3/8" = 1'-0" A02.04.04

SHEET NOTES

- 01 EXTRUDED ALUMINUM EXTENSION CAPPED MULLION
- 02 EXPOSED STEEL TO RECEIVE INTUMESCENT FIRE-RESISTANT COATING & FINISHES AS SCHEDULED
- 03 LINE OF GYPSUM BOARD LEDGE BELOW
- 04 SCHEDULED LIGHT FIXTURE.
- 05 PROVIDE END CAP AT MULLION EXTENSION
- 06 CAP END OF FIN TUBE ENCLOSURE.

GENERAL NOTES

A RE: FINISH SCHEDULE & PROJECT MANUAL FOR MULLION FINISH ASSOCIATED W/ GLAZING UNIT.

Portland International Jetport
1001 Westbrook Street
Portland, Maine 04102

Gensler
2020 K Street, Northwest
Suite 200
Washington DC 20006
Telephone 202.721.5200
Facsimile 202.872.8587

Issue	Date & Issue Description	By	Check
01	12/01/08		
02	75% CONSTRUCTION DOCUMENTS		
03	95% CONSTRUCTION DOCUMENTS		
04	10/26/09		
	ISSUED FOR PERMIT		

Seal/Signature

 Project Name
 PWM Terminal Enhancement
 Project Number
 09-6395-000
 Description
 WALL TYPE B
 Scale
 As indicated

A09.30

© 2009 Gensler