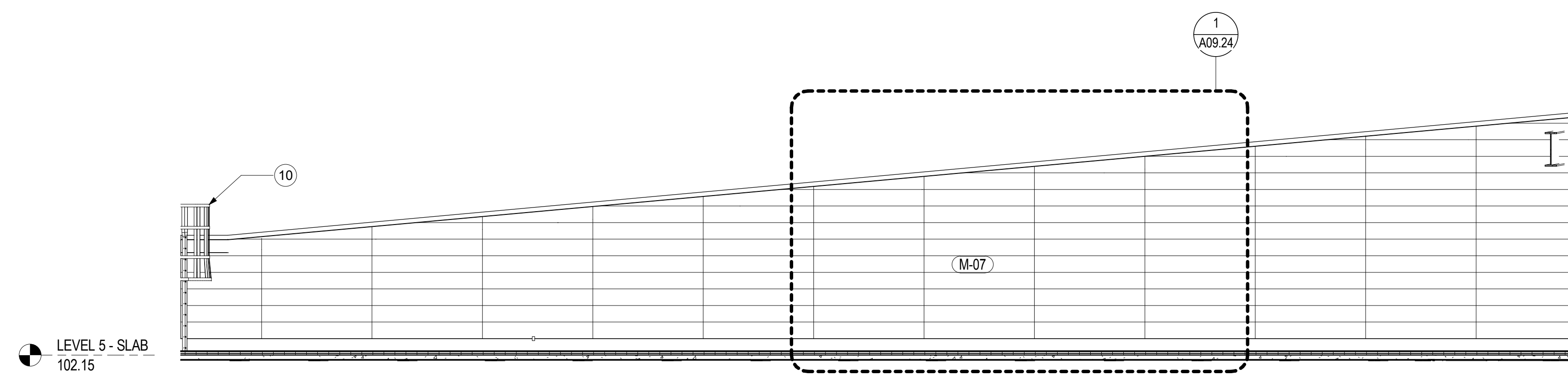
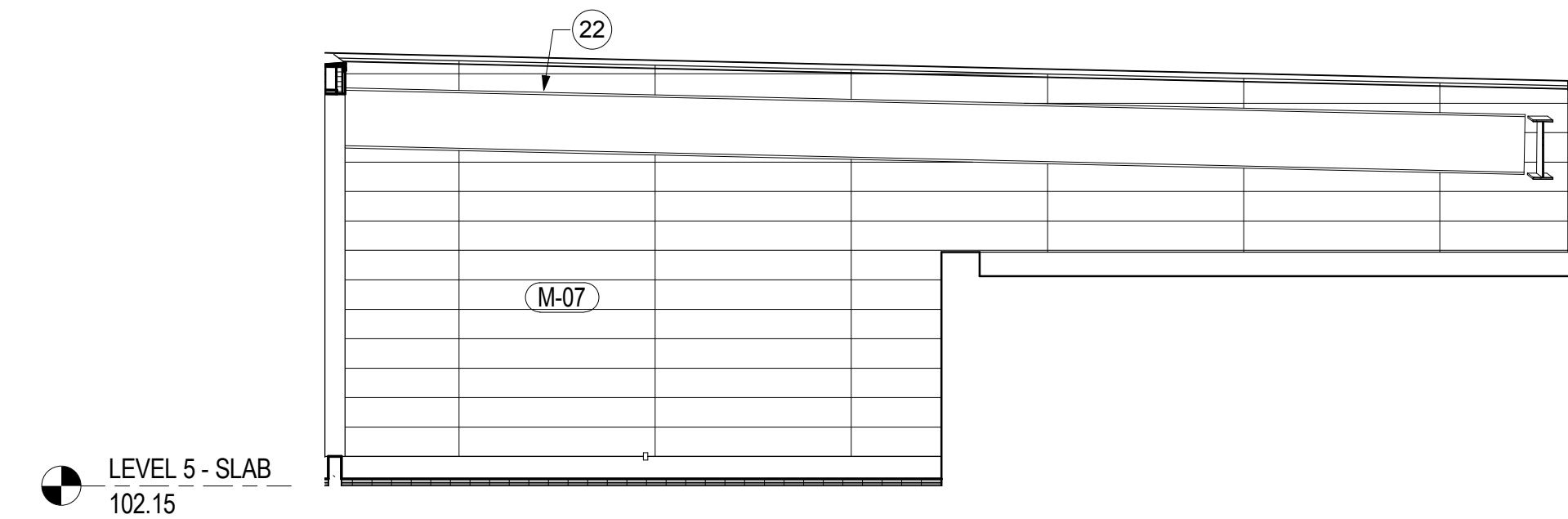


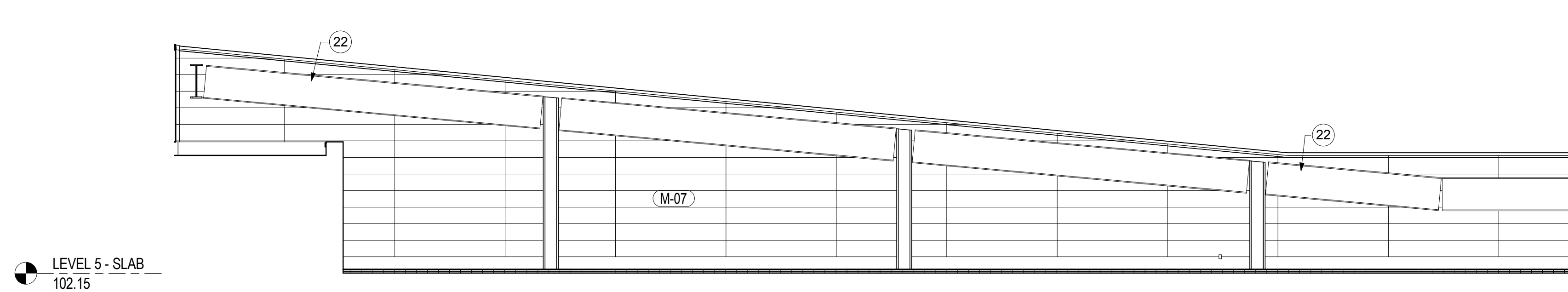
EAST ELEVATION - MECH. WELL
SCALE: 1/8" = 1'-0" A02.05.06 2



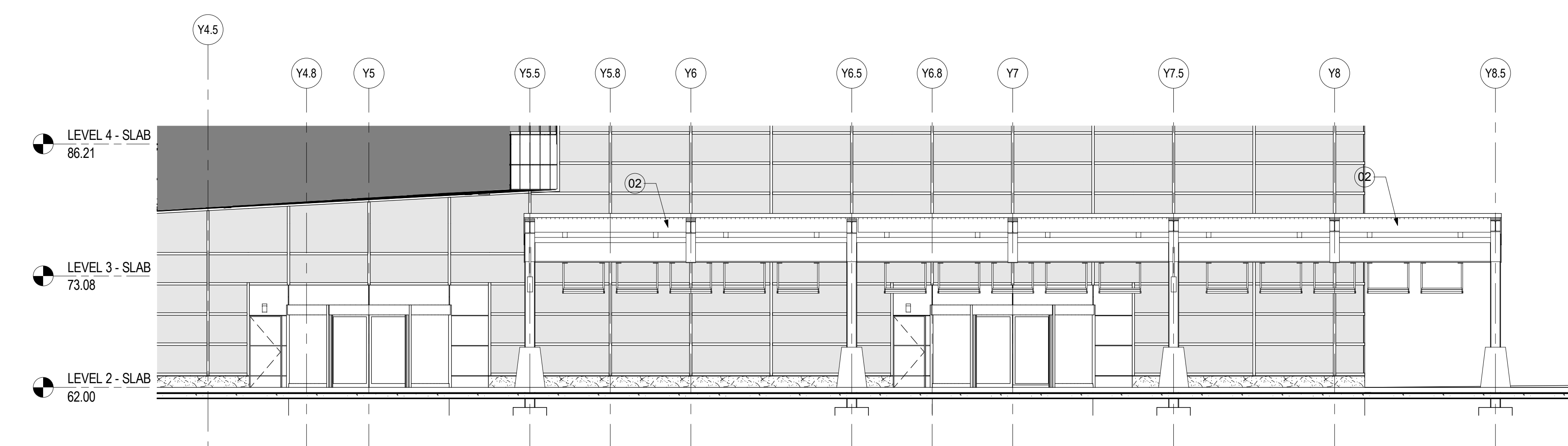
SOUTH ELEVATION - MECH. WELL
SCALE: 1/8" = 1'-0" A02.05.06 1



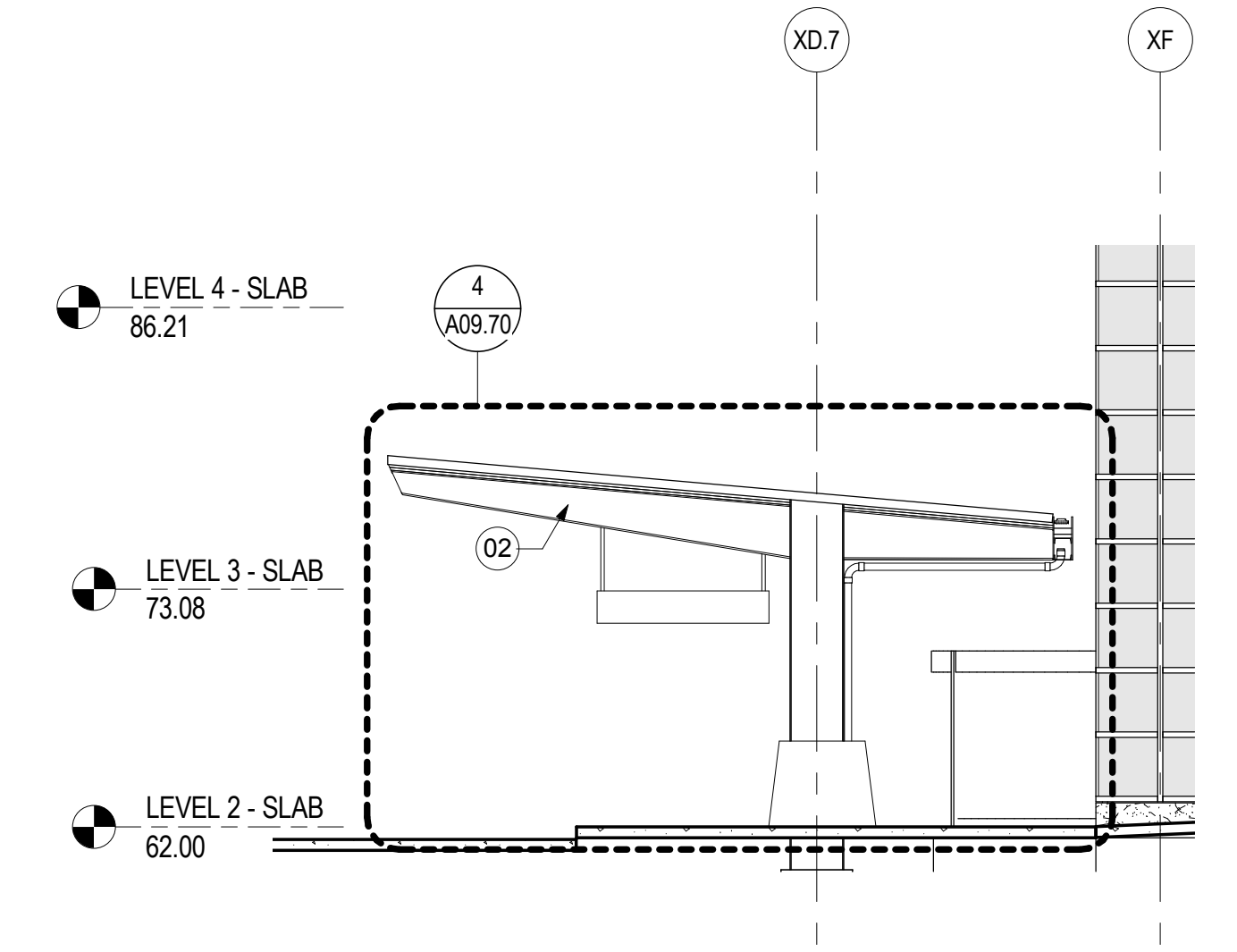
WEST ELEVATION - MECH. WELL
SCALE: 1/8" = 1'-0" A02.05.06 4



NORTH ELEVATION - MECH. WELL
SCALE: 1/8" = 1'-0" A02.05.06 3



NORTH ELEVATION - CANOPY
SCALE: 1/8" = 1'-0" A02.02.06 6



WEST ELEVATION - CANOPY
SCALE: 1/8" = 1'-0" A02.02.07 5

SHEET NOTES

- 01 ARCHITECTURAL EXPOSED CONCRETE COLUMN TO RECEIVE CS-02
- 02 STEEL AND WOOD GLU-LAM CANOPY WITH METAL BATTEN SEAMED ROOFING. RE: A09.80 SERIES FOR MORE INFORMATION
- 03 APRON LIGHTING. RE: 10/A12.50 FOR ANCHOR DETAIL. RE: STRUCTURAL AND ELECTRICAL FOR MORE INFORMATION
- 04 OVERHEAD COILING DOOR
- 05 AREA OF REMOVABLE METAL PANELS FOR ACCESS TO CHILLERS
- 06 WALL MOUNTED POTABLE WATER CABINET.
- 07 INFILL PRECAST PANELS TO MATCH EXISTING AT PREVIOUSLY DEMOLISHED OVERHEAD AND HOLLOW METAL DOORS. PANELS TO MATCH IN FINISH, DEPTH AND PROFILE
- 08 EXPANSION JOINT. RE: A02 SERIES FOR TYPE
- 09 PAINTED STEEL LOUVERED SWINGING GATE/FENCE.
- 10 ROOF ACCESS LADDER. REFER TO DETAIL 4/A12.50
- 11 LOCATION OF PDB DISCONNECT SWITCH. RE: ELECTRICAL DRAWINGS FOR MORE INFORMATION.
- 12 PASSENGER BOARDING BRIDGE. OWNER PROVIDED. INSTALLED BY CONTRACTOR
- 13 SCHEDULED LIGHT FIXTURE. RE: PROJECT MANUAL FOR MORE INFORMATION.
- 14 EXHAUST FAN WITH SHUTTER. ALIGN TOP WITH EXISTING OPENING AND SIDE WITH REVEALS. RE: MECHANICAL DRAWINGS FOR MORE INFORMATION
- 15 INTAKE LOUVER. ALIGN TOP AND SIDE OF LOUVER WITH COURSING. RE: MECHANICAL DRAWINGS FOR MORE INFORMATION.
- 16 AREA OF MOCK UP
- 17 STRUCTURAL STEEL TO BE ENCLOSED WITH M-01 METAL PANEL.
- 18 LOUVER RE: MECHANICAL DRAWINGS FOR MORE INFORMATION
- 19 VERTICAL CONTROL JOINTS AT CMU 16'-0" O.C. WITH COLUMN LINE
- 20 NEW DOOR AT EXISTING FACADE
- 21 PRECAST REVEAL PROFILE TO MATCH EXISTING PRECAST PROFILE ABOVE. VERIFY IN FIELD DIMENSIONS.
- 22 EXPOSED STEEL TO BE GLAVANIZED

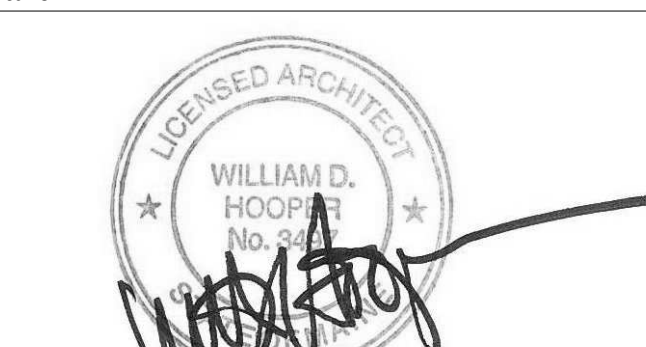
GENERAL NOTES

- GLASS G-01
- GLASS G-02
- GLASS G-03
- GLASS G-04
- ARCHITECTURAL PRECAST
- METAL PANEL M-01
- METAL PANEL M-03

Portland International Jetport
1001 Westbrook Street
Portland, Maine 04102

Gensler
2020 K Street, Northwest
Suite 200
Washington DC 20006
Telephone 202.721.5200
Facsimile 202.872.8587

Issue	Date & Issue Description	By	Check
01	12/01/08		
02	75% CONSTRUCTION DOCUMENTS		
02	01/23/09		
03	95% CONSTRUCTION DOCUMENTS		
03	10/26/09		
	ISSUED FOR PERMIT		

Seal/Signature


Project Name
PWM Terminal Enhancement

Project Number
09.6395.000

Description
EXTERIOR ELEVATIONS - MECHANICAL WELL

Scale
As indicated

A09.04

© 2009 Gensler