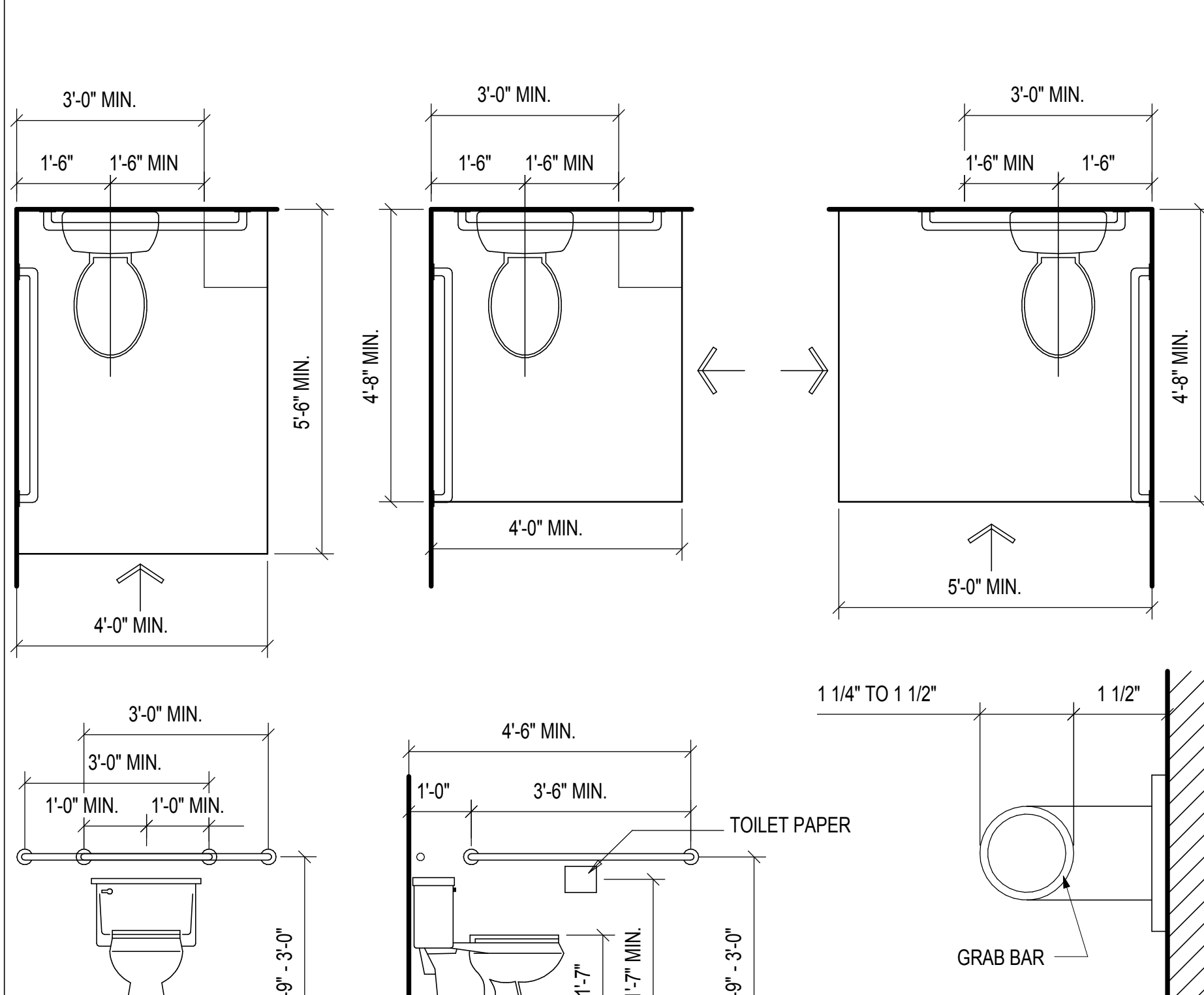
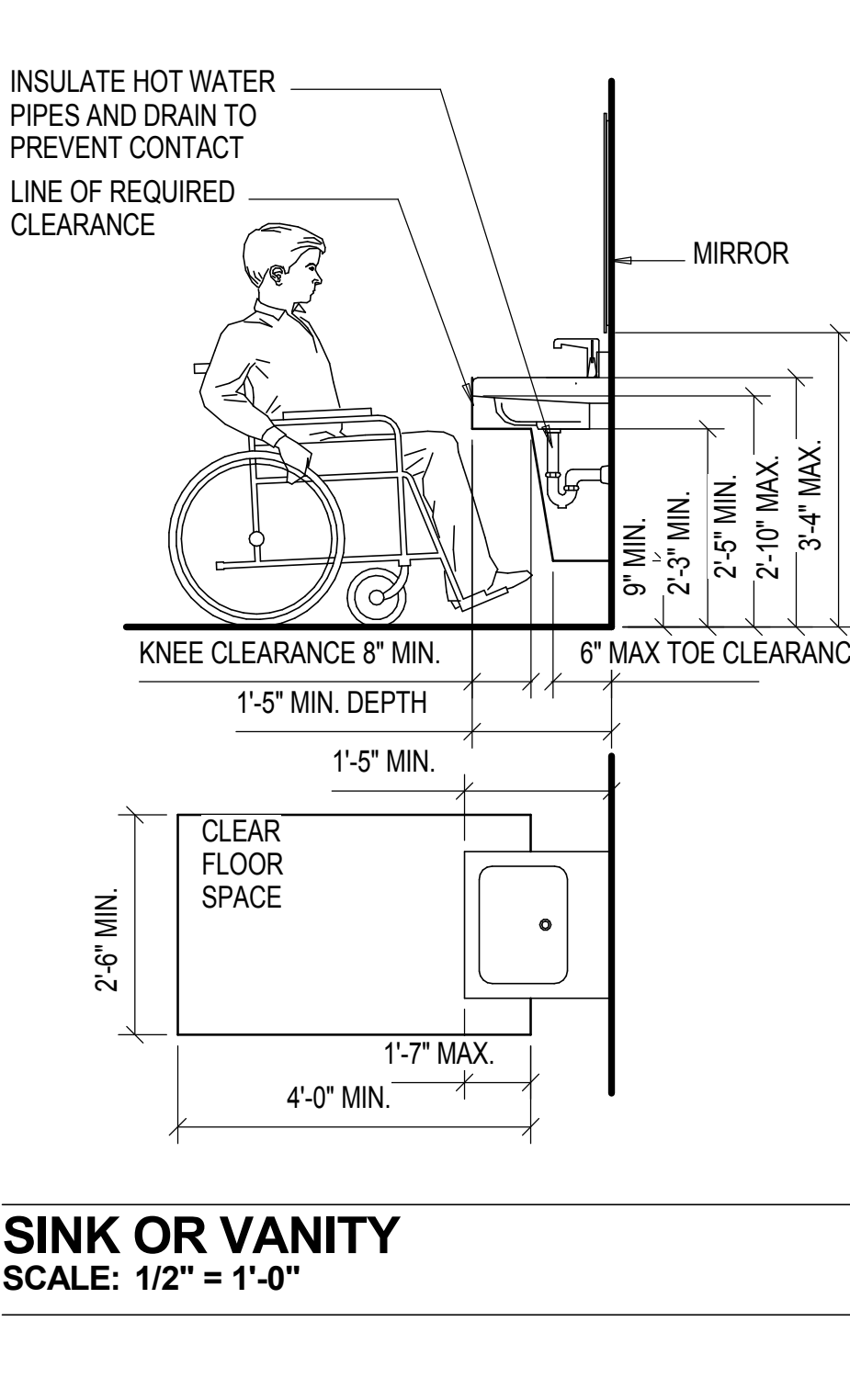


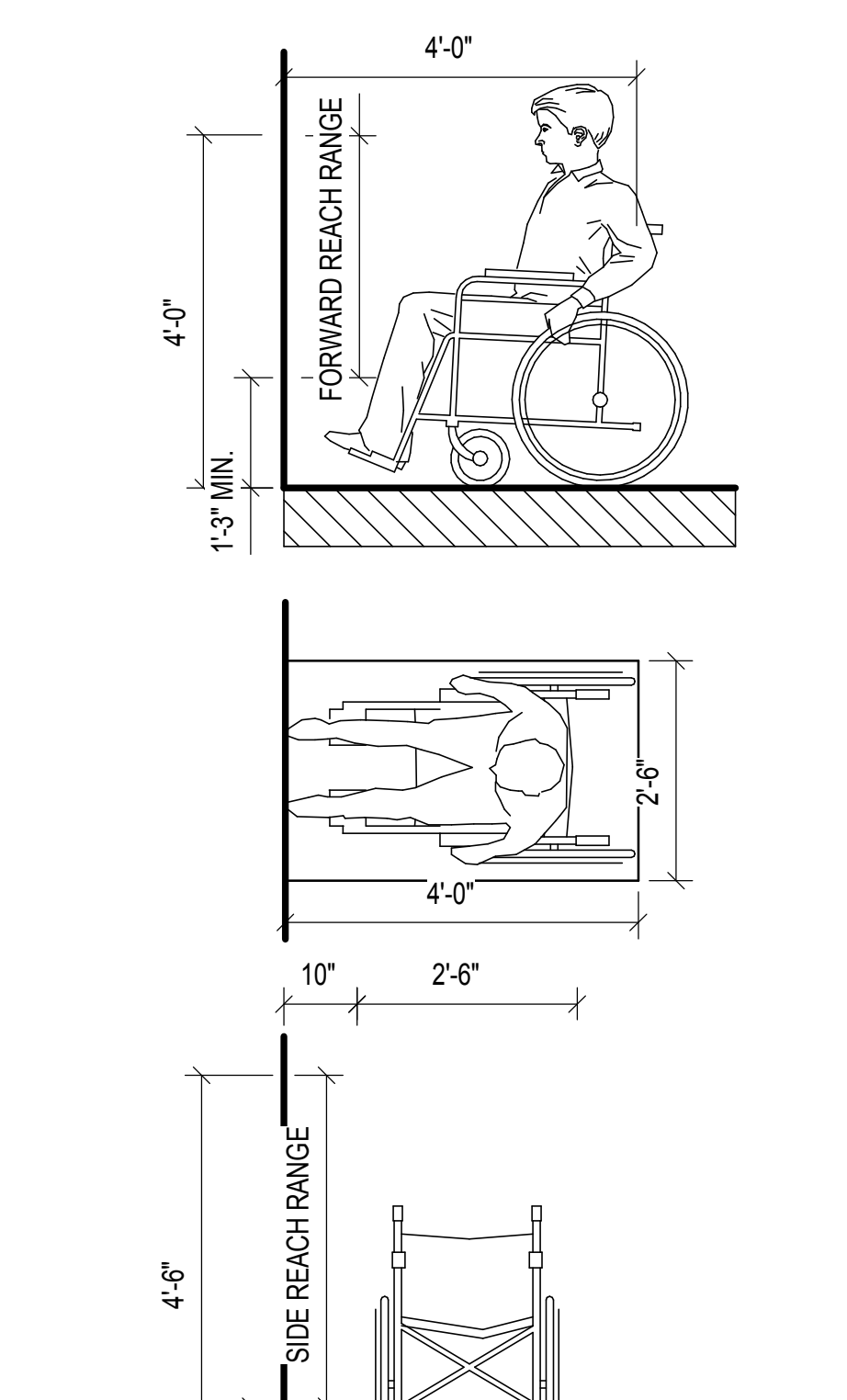
TRANSFER SHOWER
SCALE: 1/2" = 1'-0"



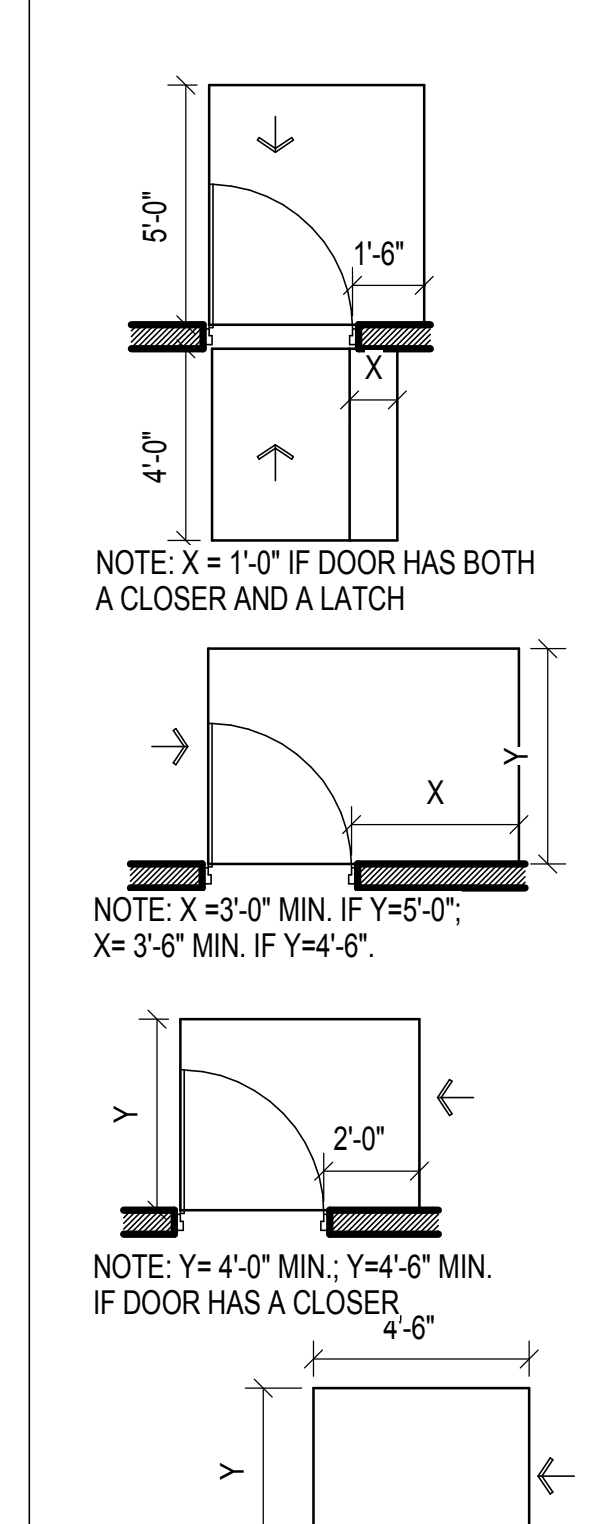
SINGLE USER TOILET
SCALE: 1/2" = 1'-0"



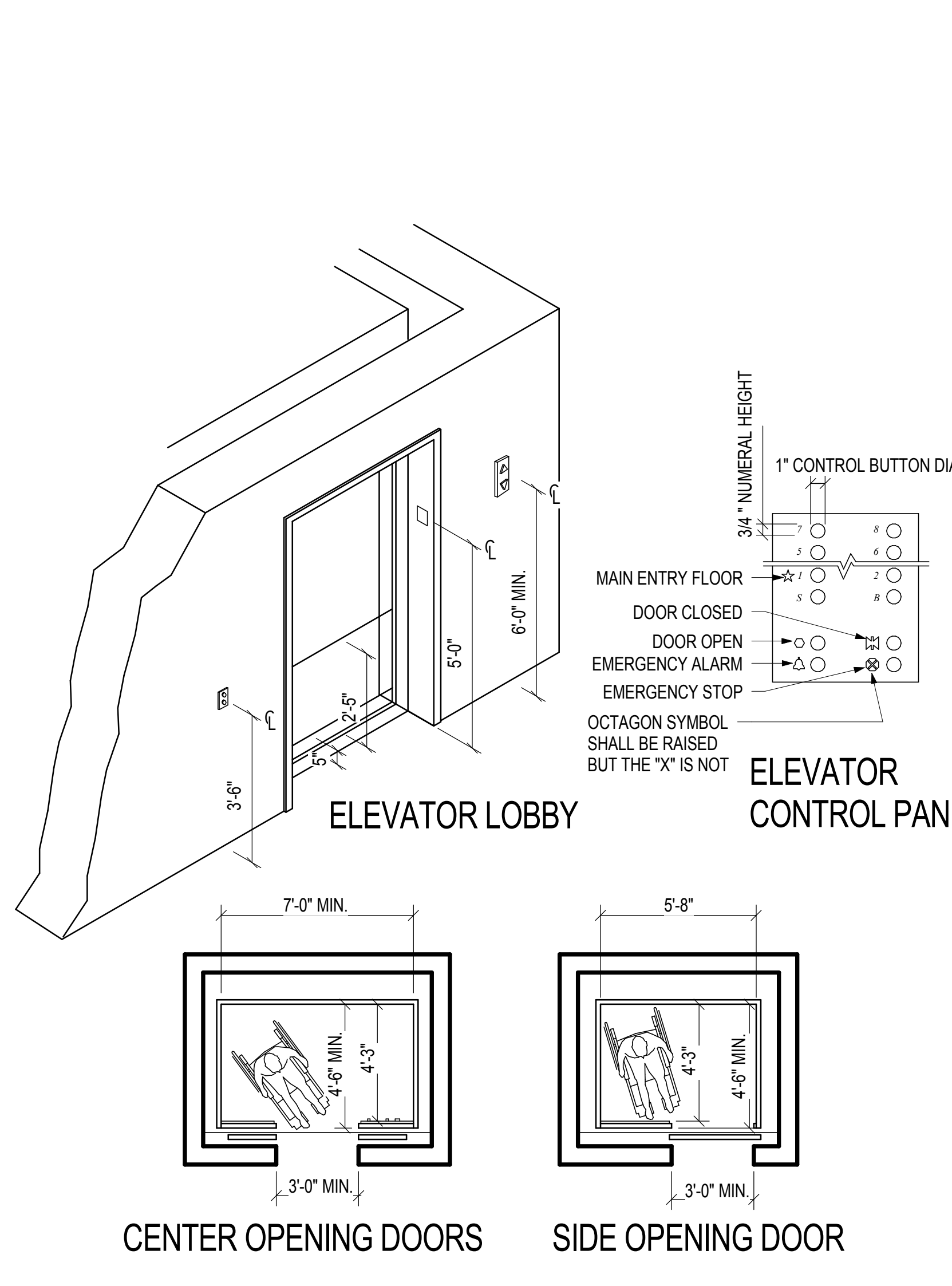
SINK OR VANITY
SCALE: 1/2" = 1'-0"



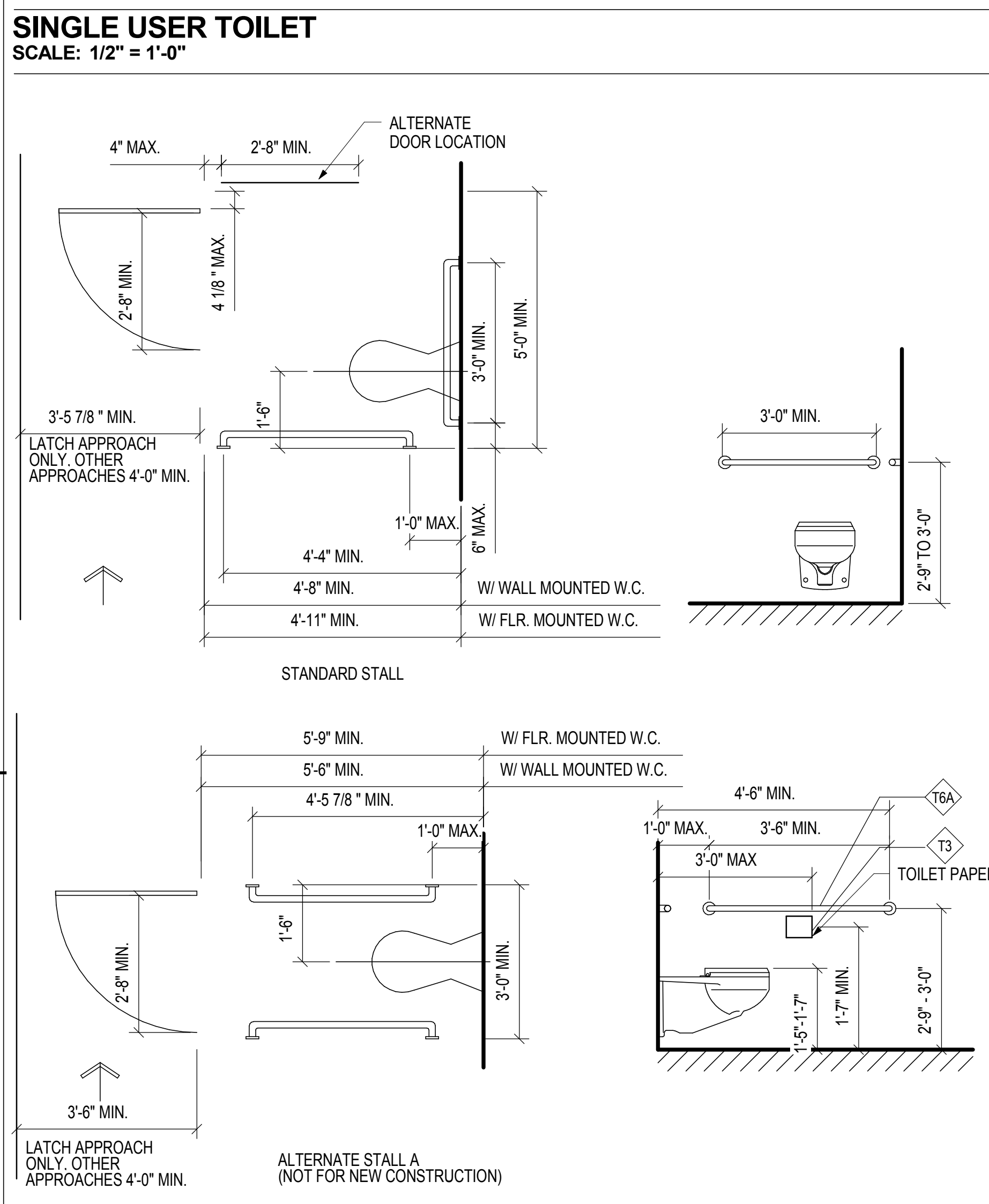
REACH RANGES
SCALE: 1/2" = 1'-0"



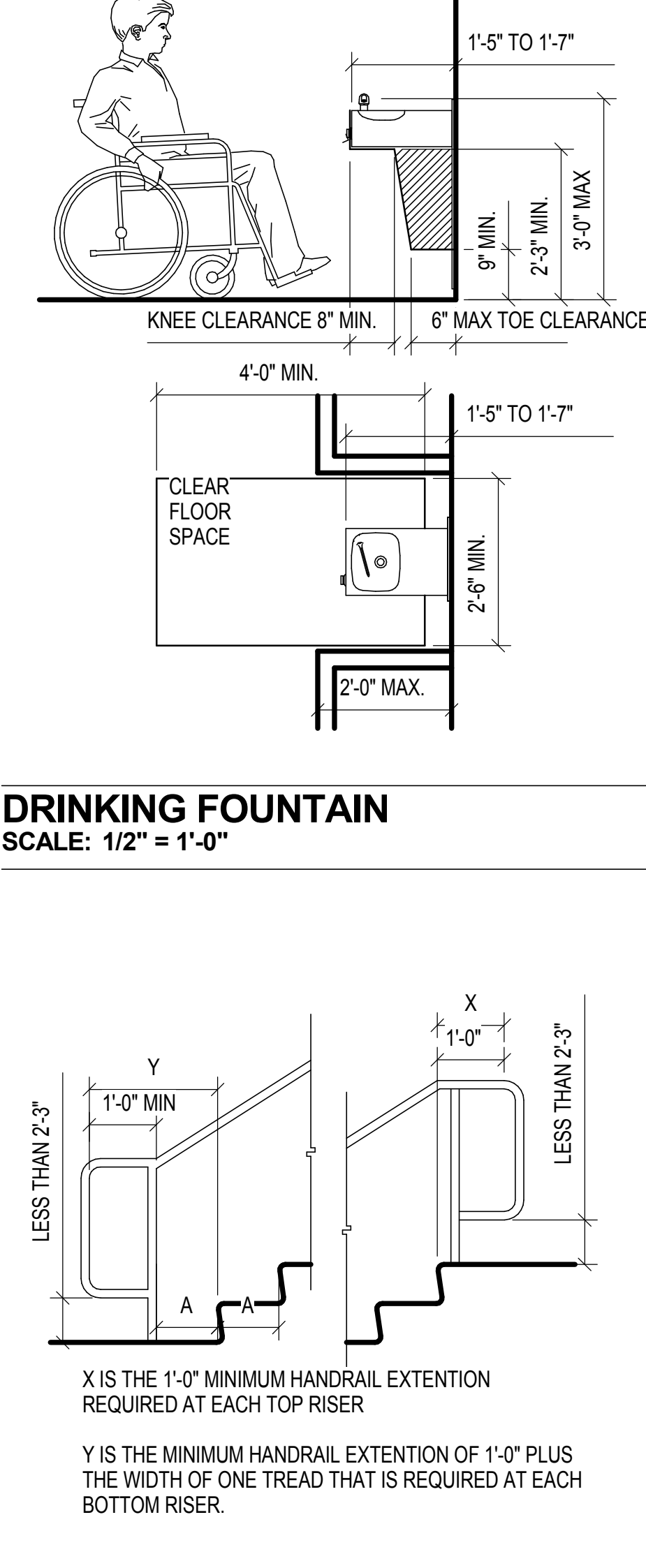
CLEARANCES
SCALE: 1/2" = 1'-0"



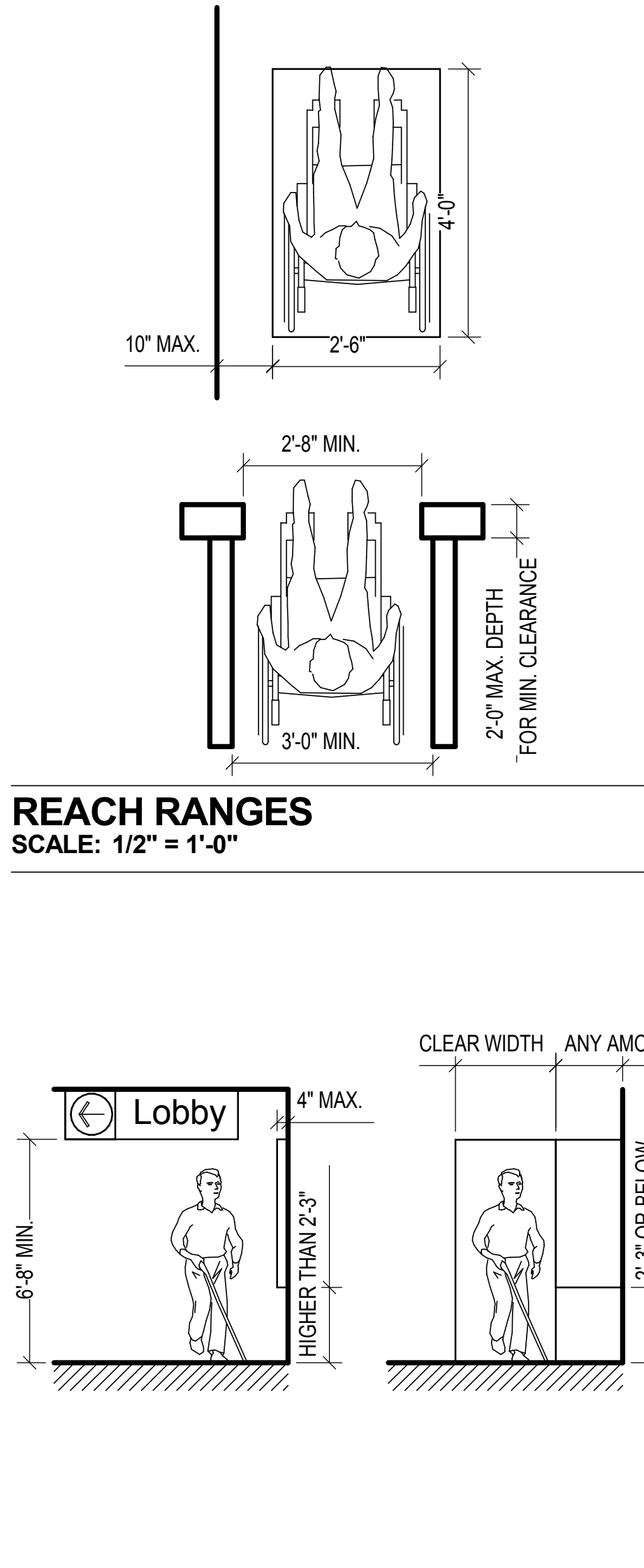
ELEVATOR
SCALE: VARIES



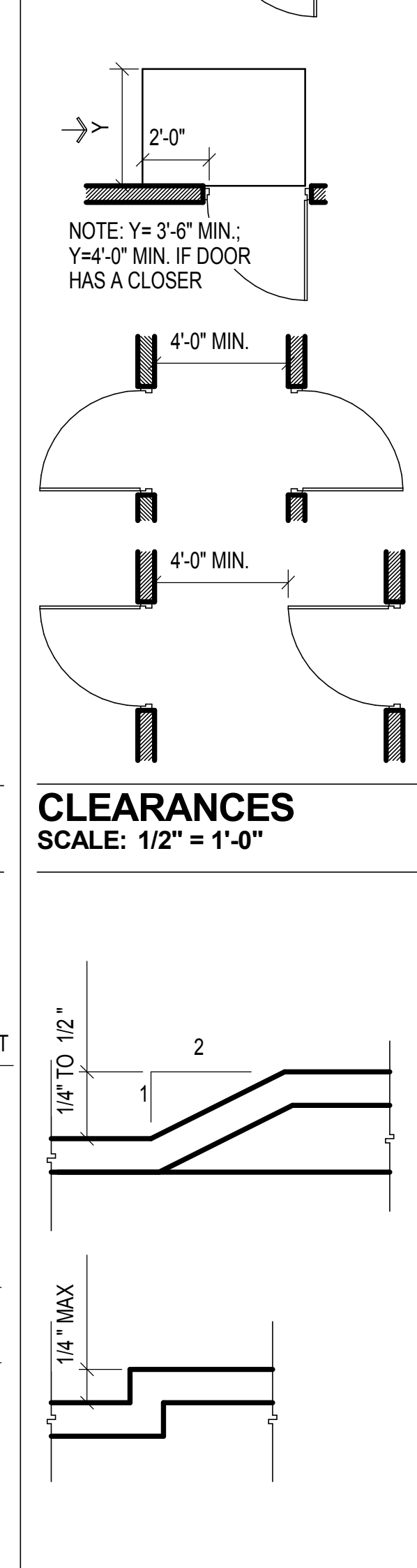
MULTI-USER TOILET
SCALE: 1/2" = 1'-0"



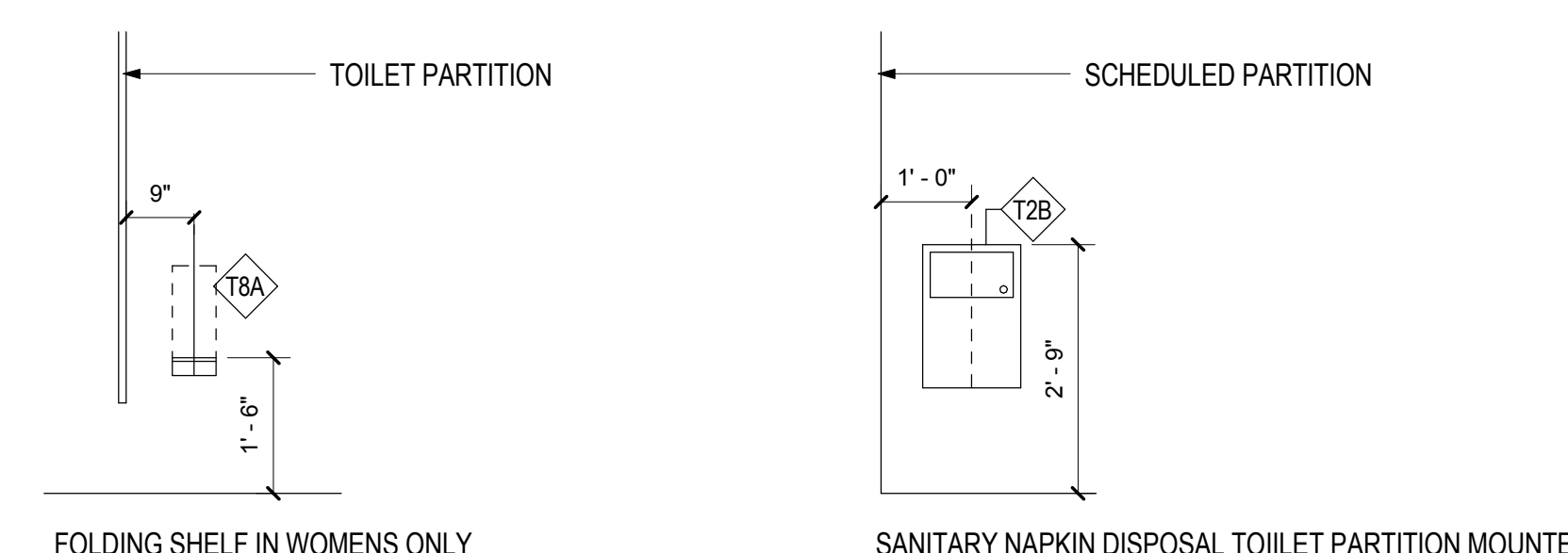
HANDRAIL EXTENSIONS
SCALE: 1/2" = 1'-0"



PROTRUDING OBJECTS
SCALE: 1/4" = 1'-0"



THRESHOLDS
SCALE: FULL



TYPICAL MOUNTING HEIGHTS FOR TOILET ACCESSORIES
SCALE: 1/2" = 1'-0"



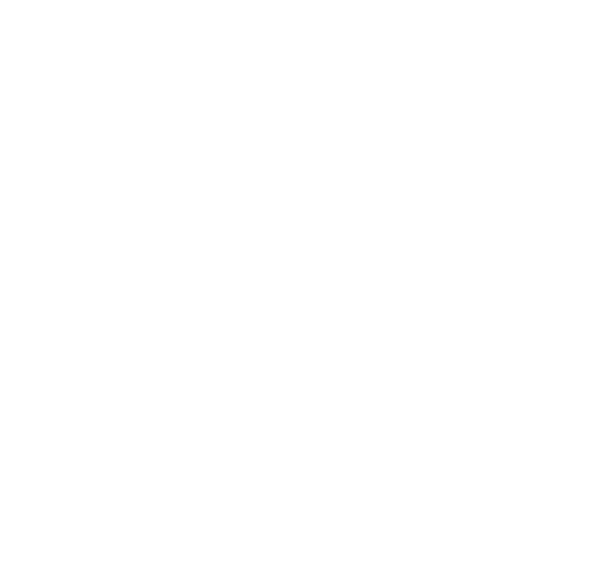
MULTI-USER TOILET
SCALE: 1/2" = 1'-0"



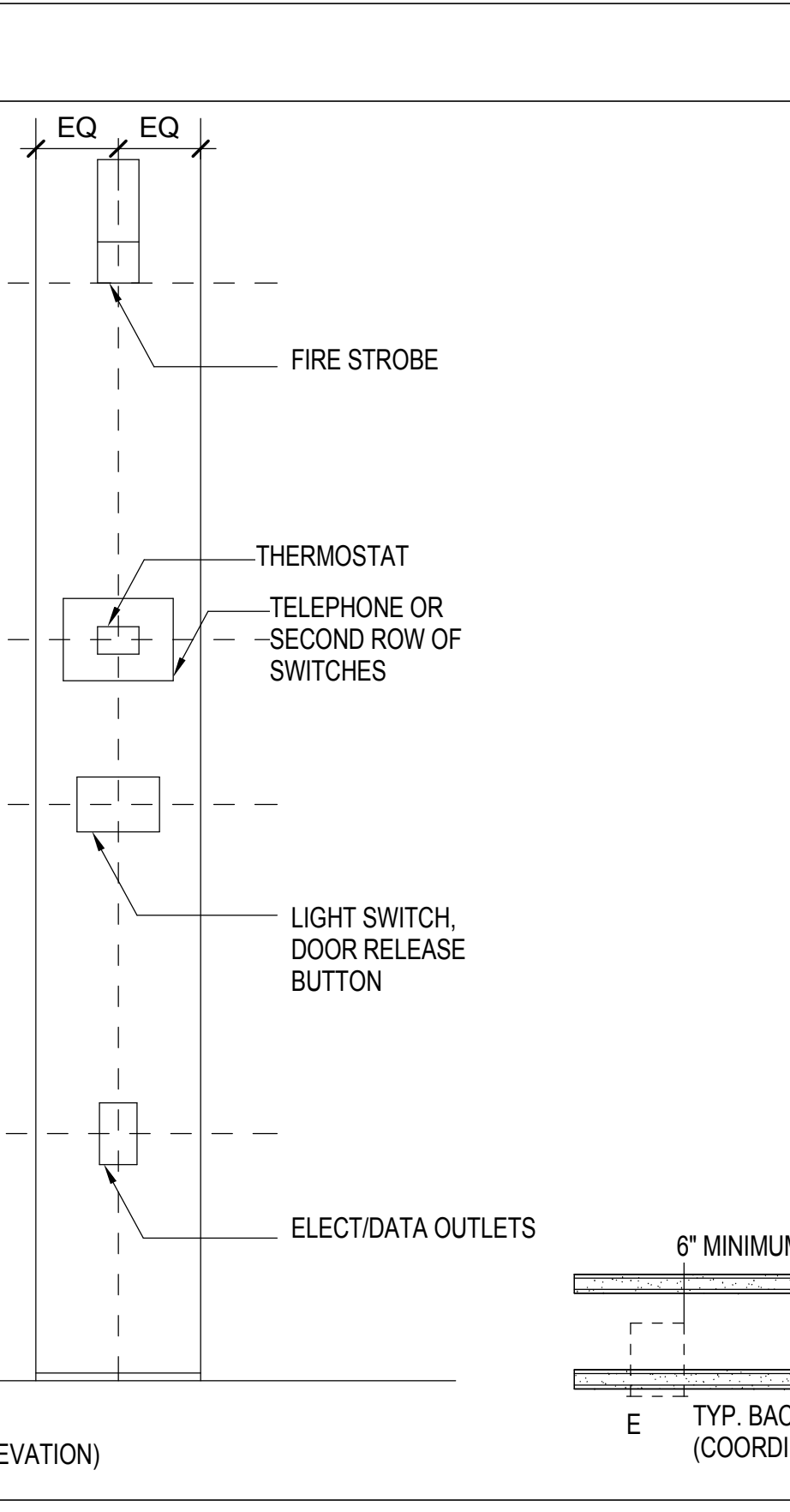
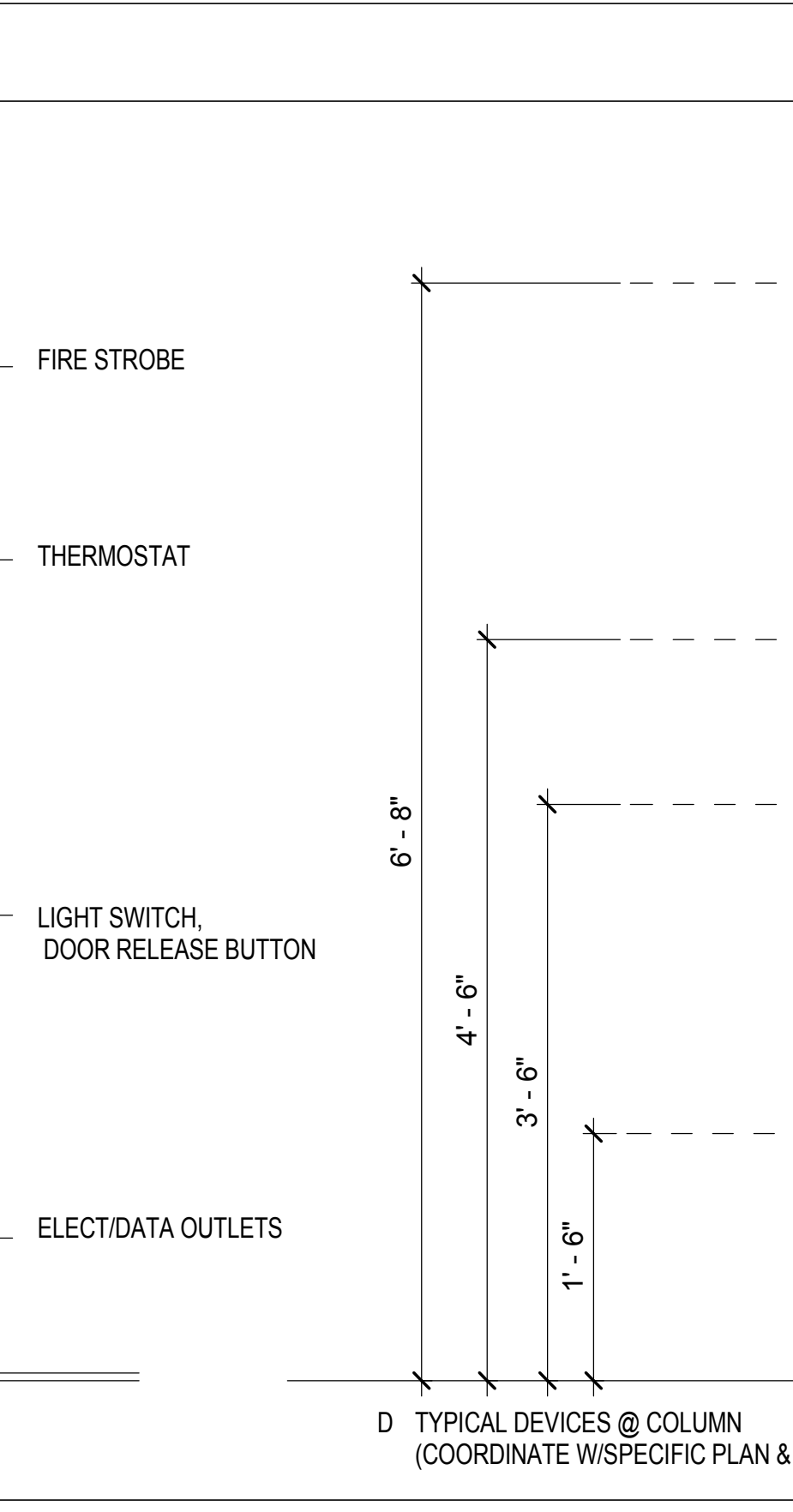
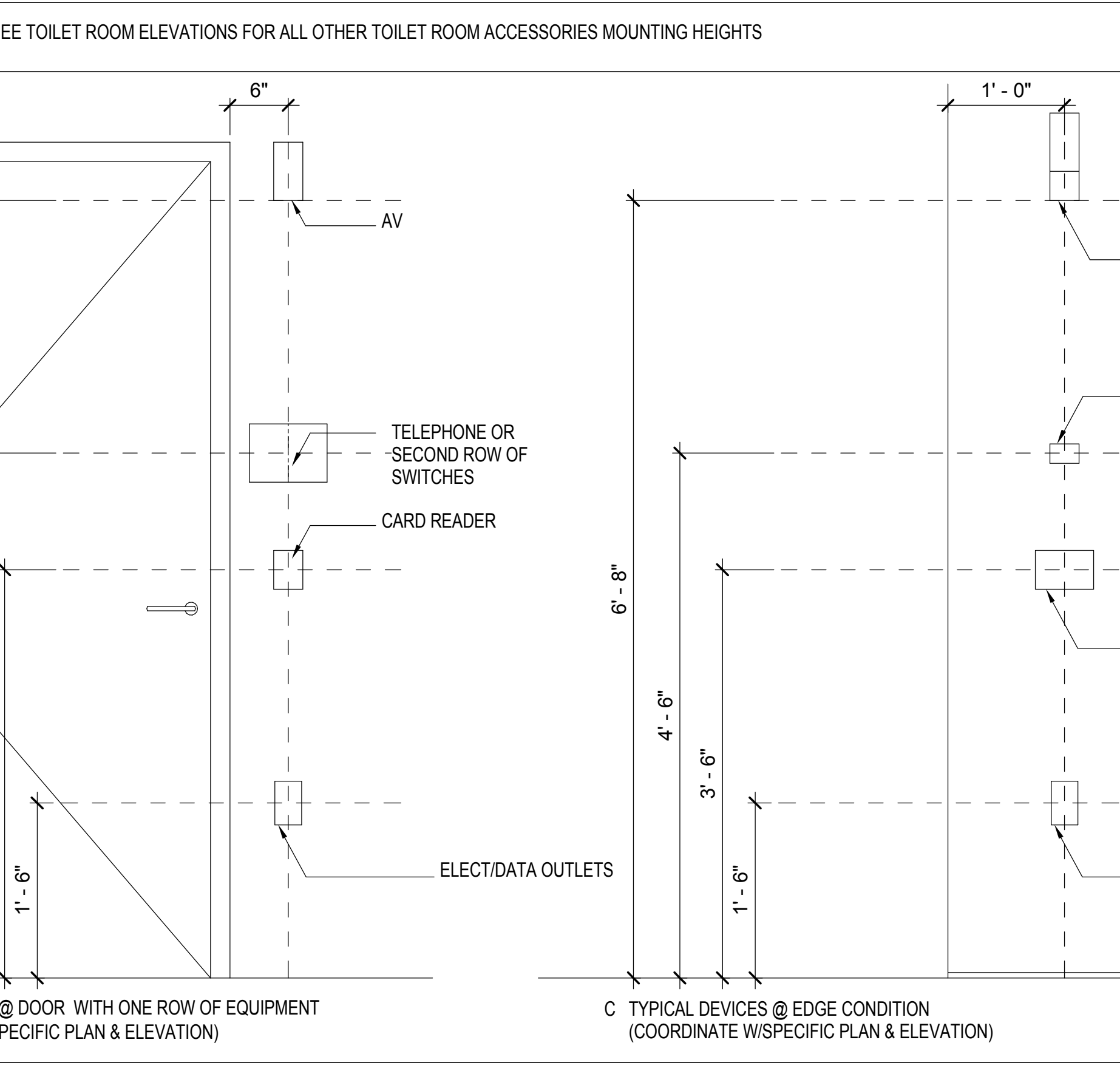
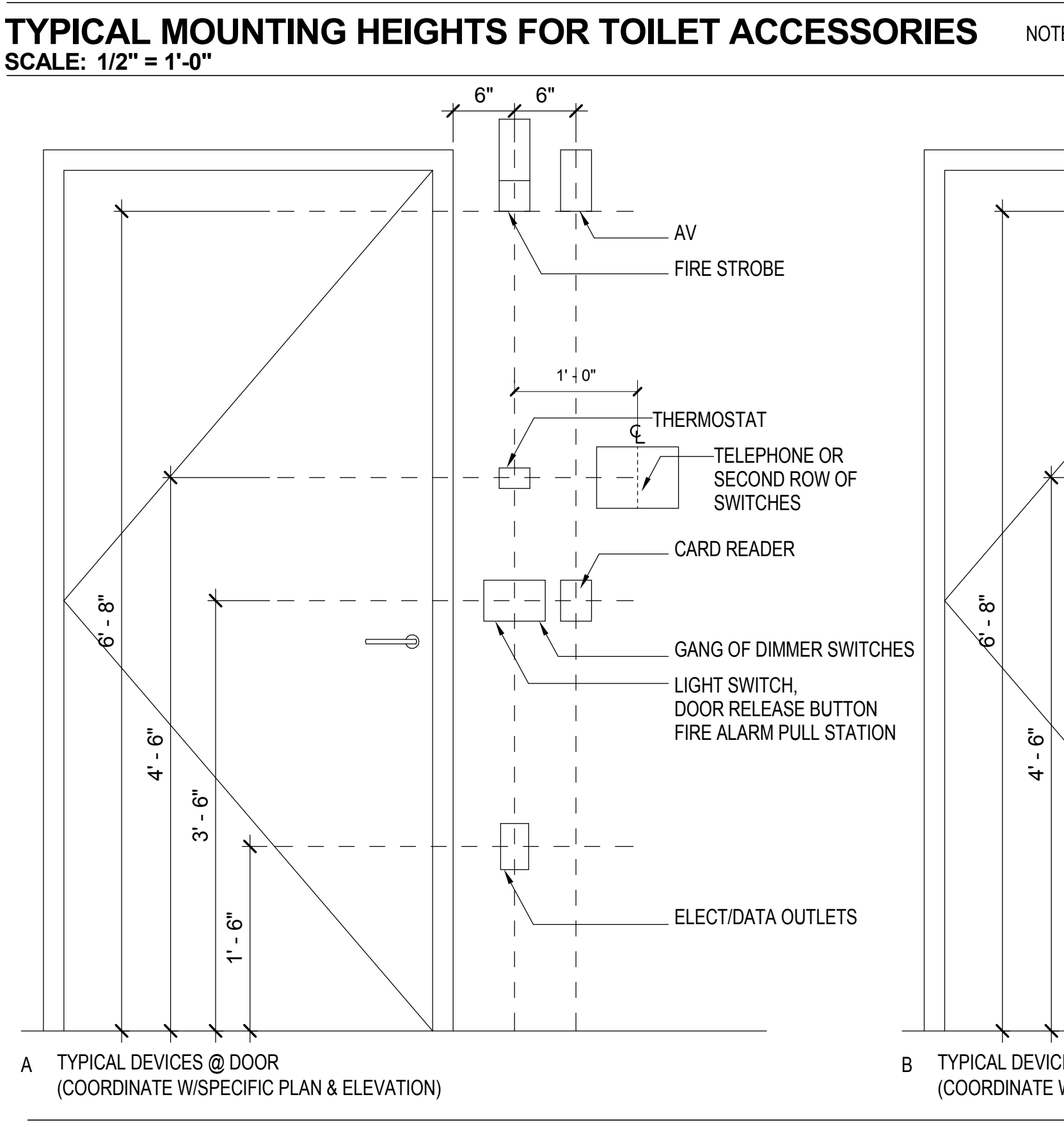
REACH RANGES
SCALE: 1/2" = 1'-0"



CLEARANCES
SCALE: 1/2" = 1'-0"



PROTRUDING OBJECTS
SCALE: 1/4" = 1'-0"



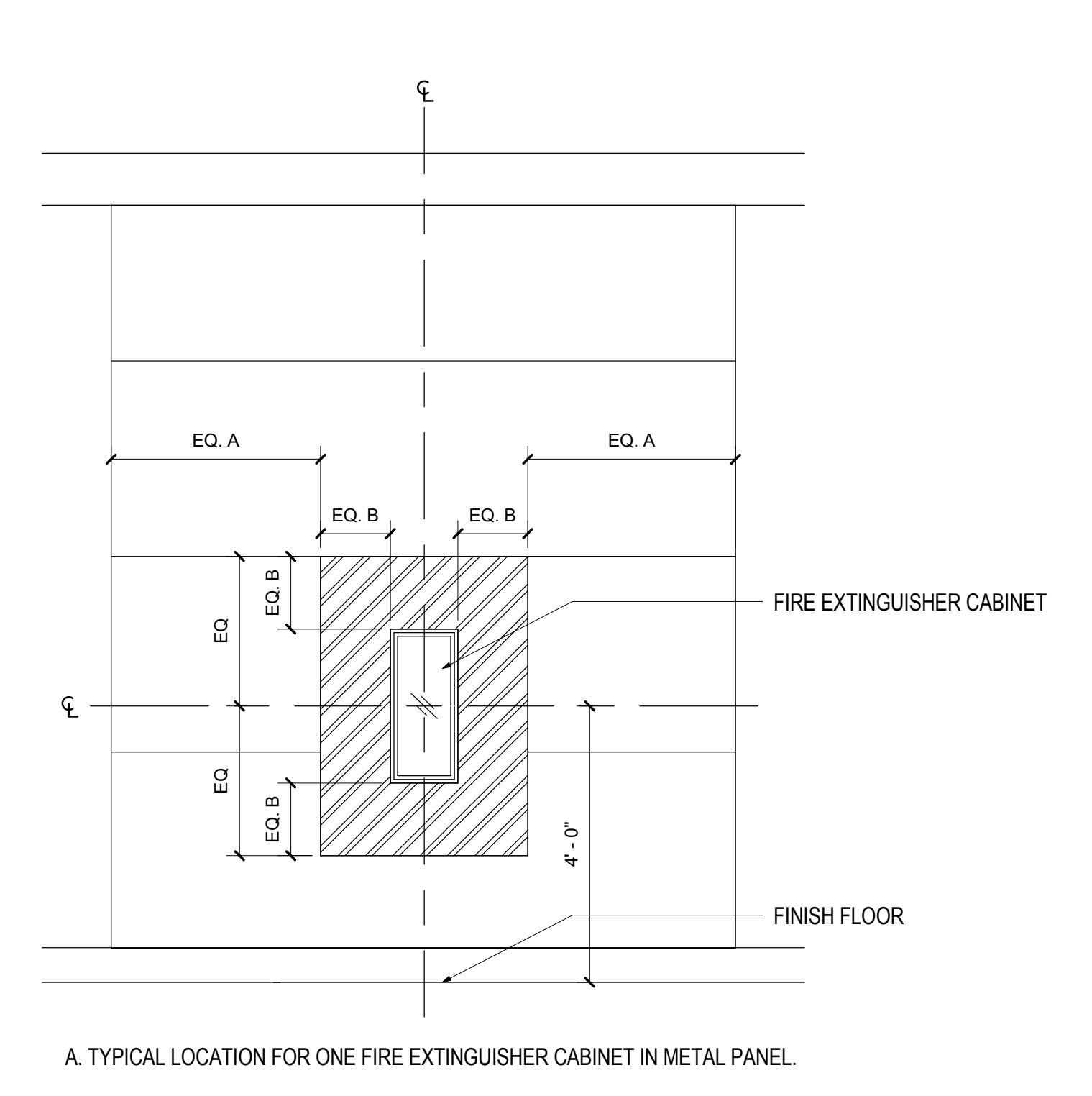
TYPICAL MOUNTING DIAGRAMS
NOTE: CONTRACTOR TO COORDINATE LOCATION OF STUDS IN PARTITION TO ACHIEVE INTENT. PROVIDE ADDITIONAL STUDS/BRACING AS NEEDED. PROVIDE SOUNDLINERS AT DEVICE BACK BOXES WHERE DEVICES ARE LOCATED IN PARTITIONS WITH INSULATION.

TYPICAL MOUNTING DIAGRAMS
NOTE: CONTRACTOR TO COORDINATE LOCATION OF STUDS IN PARTITION TO ACHIEVE INTENT. PROVIDE ADDITIONAL STUDS/BRACING AS NEEDED. PROVIDE SOUNDLINERS AT DEVICE BACK BOXES WHERE DEVICES ARE LOCATED IN PARTITIONS WITH INSULATION.

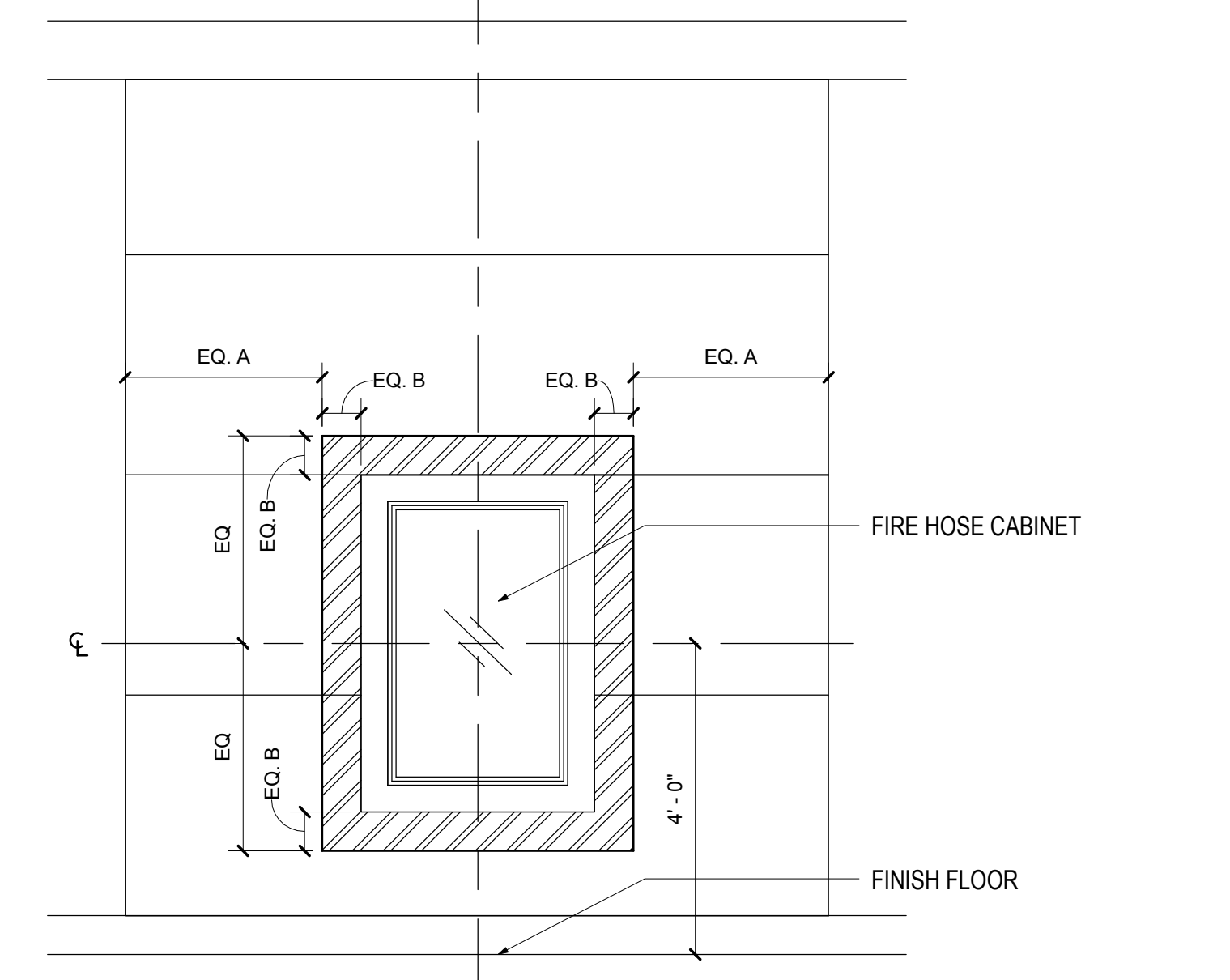
TYPICAL MOUNTING DIAGRAMS
NOTE: CONTRACTOR TO COORDINATE LOCATION OF STUDS IN PARTITION TO ACHIEVE INTENT. PROVIDE ADDITIONAL STUDS/BRACING AS NEEDED. PROVIDE SOUNDLINERS AT DEVICE BACK BOXES WHERE DEVICES ARE LOCATED IN PARTITIONS WITH INSULATION.

TYPICAL MOUNTING DIAGRAMS
NOTE: CONTRACTOR TO COORDINATE LOCATION OF STUDS IN PARTITION TO ACHIEVE INTENT. PROVIDE ADDITIONAL STUDS/BRACING AS NEEDED. PROVIDE SOUNDLINERS AT DEVICE BACK BOXES WHERE DEVICES ARE LOCATED IN PARTITIONS WITH INSULATION.

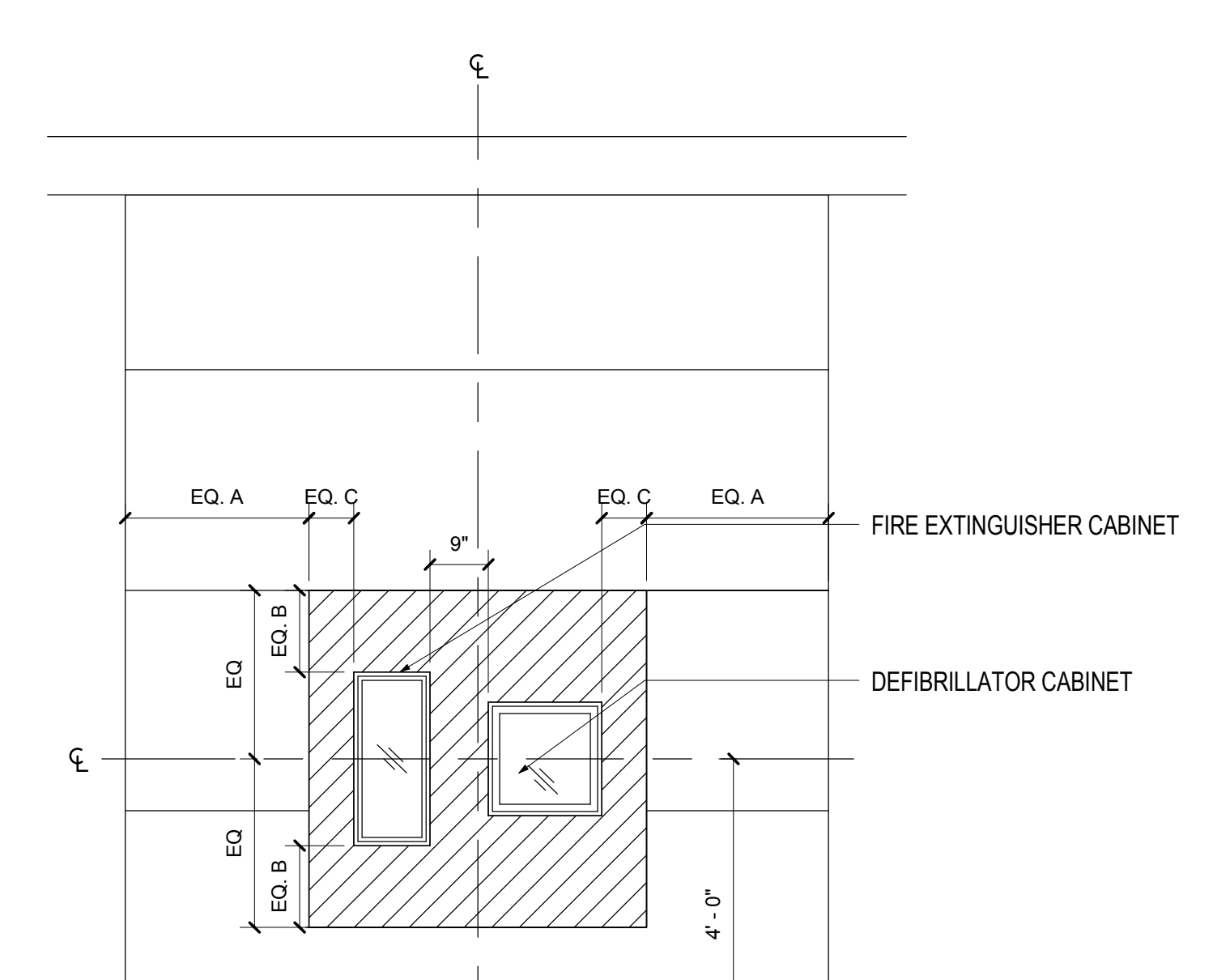
TYPICAL MOUNTING DIAGRAMS
NOTE: CONTRACTOR TO COORDINATE LOCATION OF STUDS IN PARTITION TO ACHIEVE INTENT. PROVIDE ADDITIONAL STUDS/BRACING AS NEEDED. PROVIDE SOUNDLINERS AT DEVICE BACK BOXES WHERE DEVICES ARE LOCATED IN PARTITIONS WITH INSULATION.



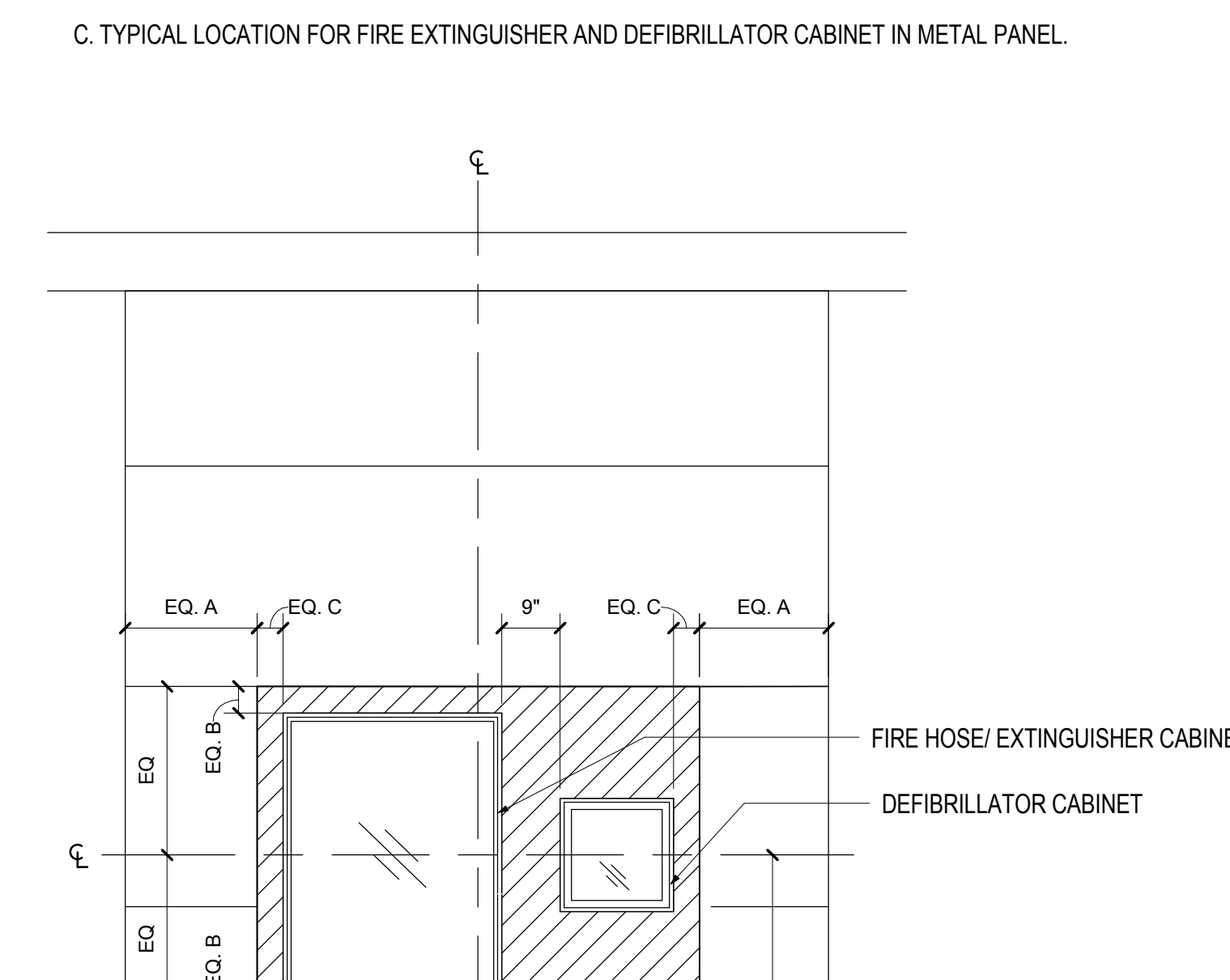
A. TYPICAL LOCATION FOR ONE FIRE EXTINGUISHER CABINET IN METAL PANEL.



B. TYPICAL LOCATION FOR ONE FIRE HOSE CABINET IN METAL PANEL.



C. TYPICAL LOCATION FOR FIRE EXTINGUISHER AND DEFIBRILLATOR CABINET IN METAL PANEL.



D. TYPICAL LOCATION FOR FIRE HOSE/EXTINGUISHER AND DEFIBRILLATOR CABINET IN METAL PANEL.

Issue	Date & Issue Description	By	Check
01	07/11/08		
02	SCHEMATIC DESIGN		
03	DESIGN DEVELOPMENT		
04	75% CONSTRUCTION DOCUMENTS		
05	95% CONSTRUCTION DOCUMENTS		
06	ISSUED FOR PERMIT		

Seal/Signature

 Project Name
 PWM Terminal Enhancement
 Project Number
 09-6395-000

Description
 MOUNTING DIAGRAMS

Scale
 As indicated

A00.13