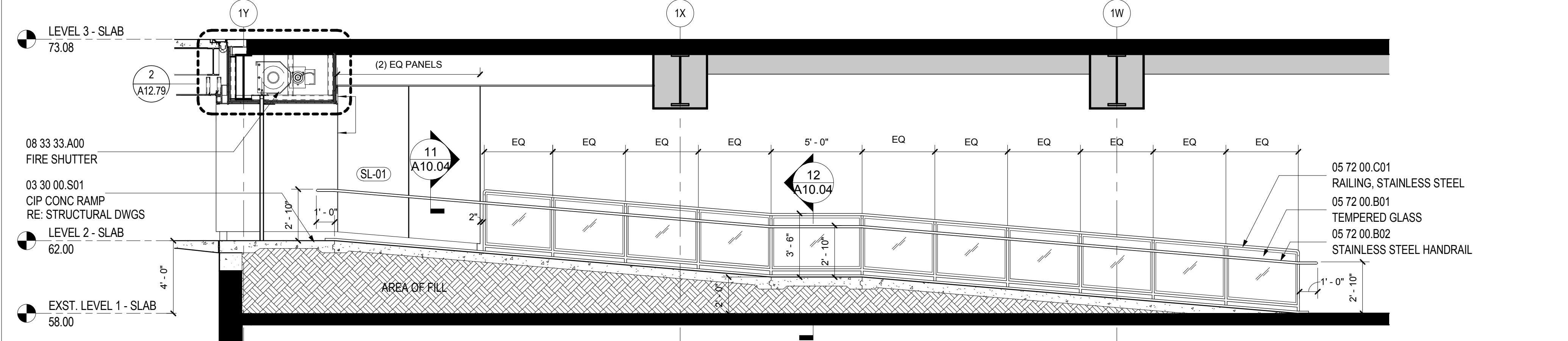
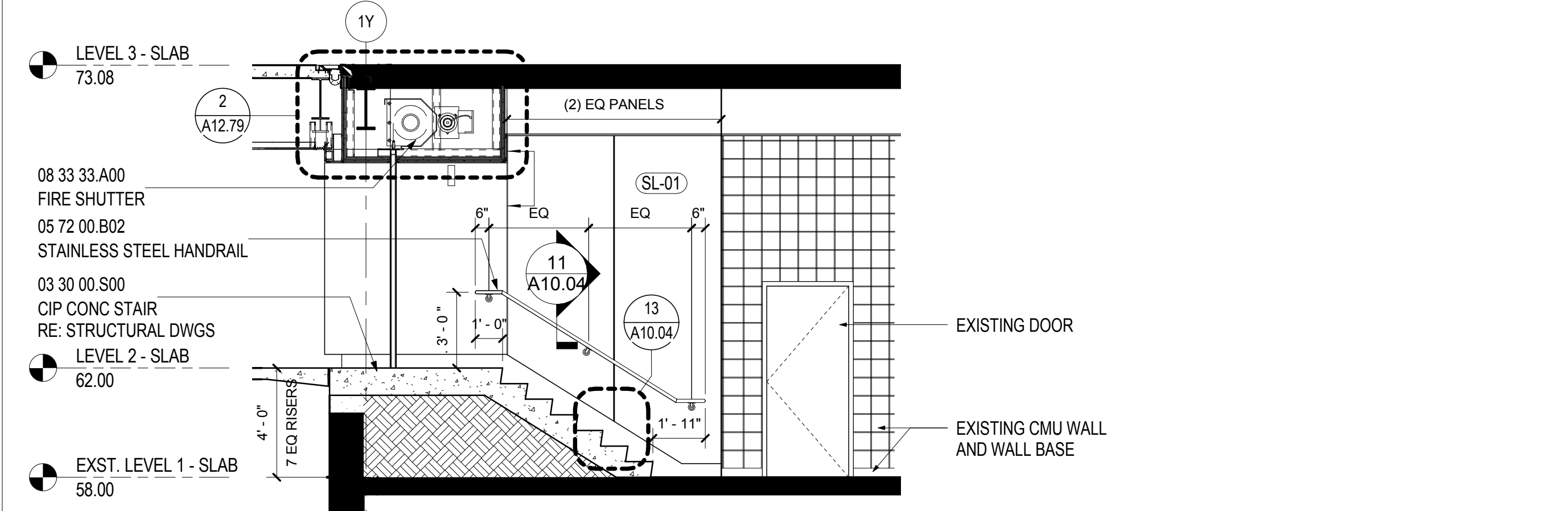


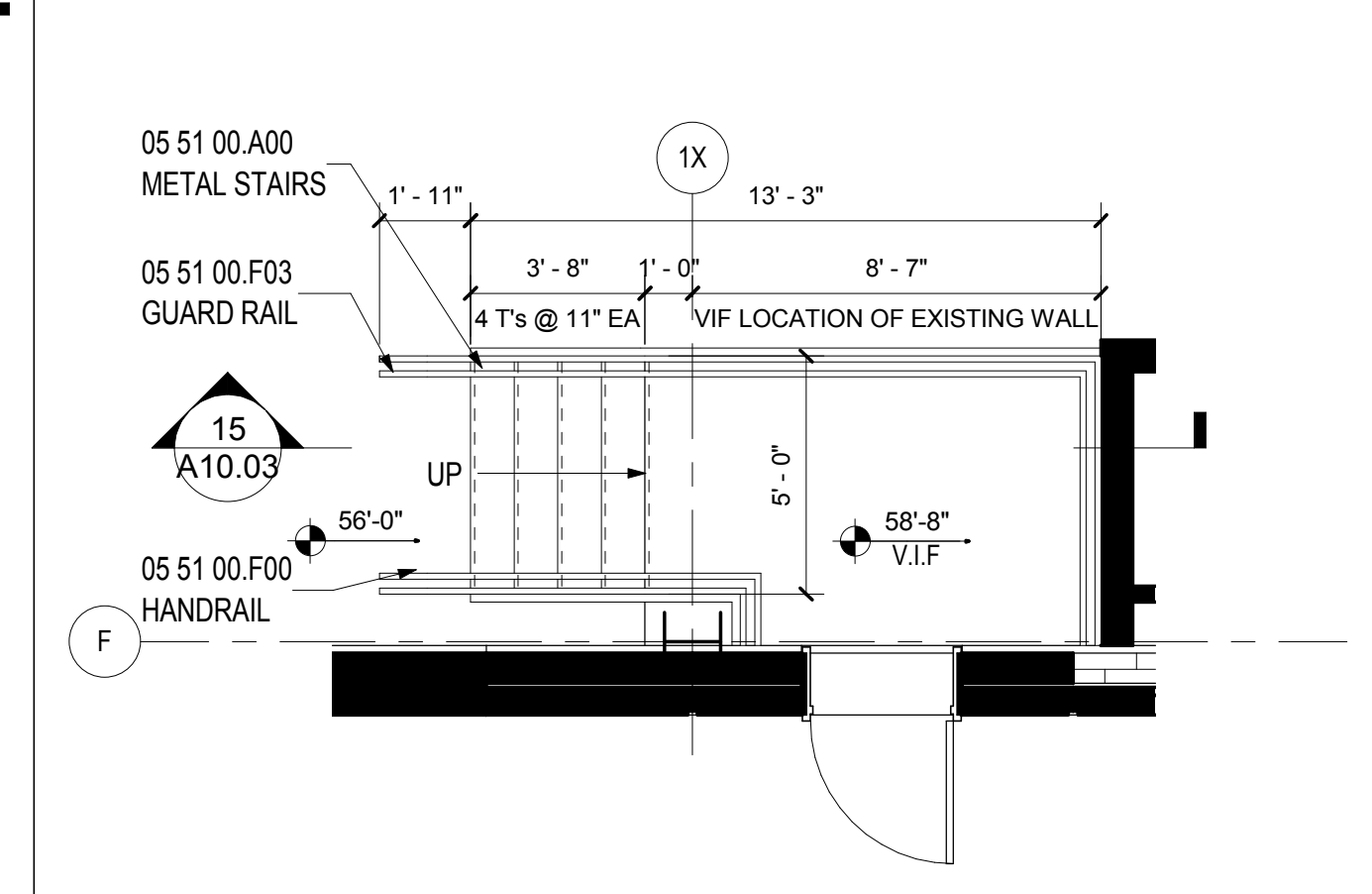
PLAN - STAIR/RAMP AT EXISTING TERMINAL
SCALE: 1/4" = 1'-0" A02.01.03 11



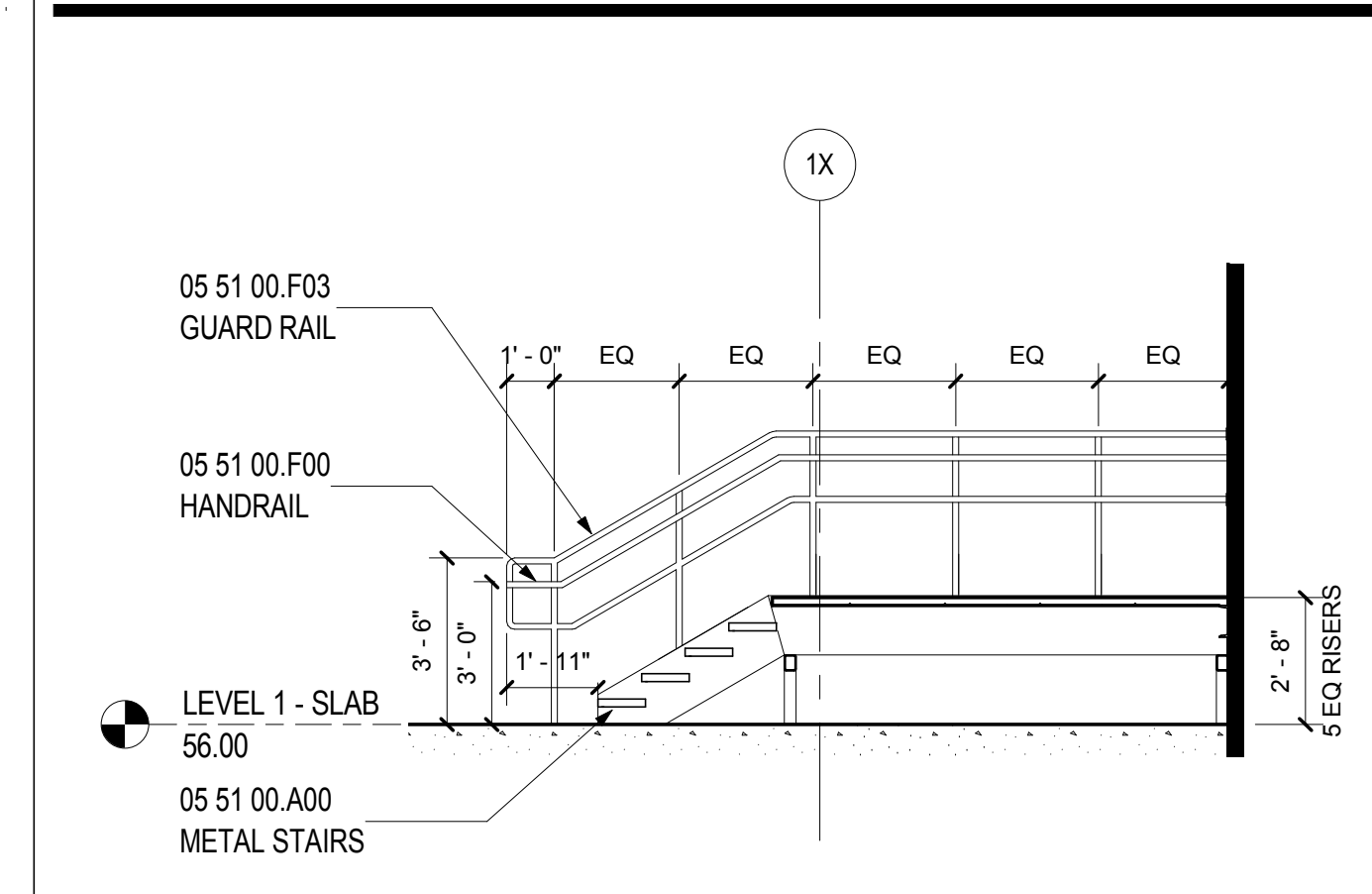
SECTION - RAMP AT EXISTING TERMINAL
SCALE: 1/4" = 1'-0" A10.03 12



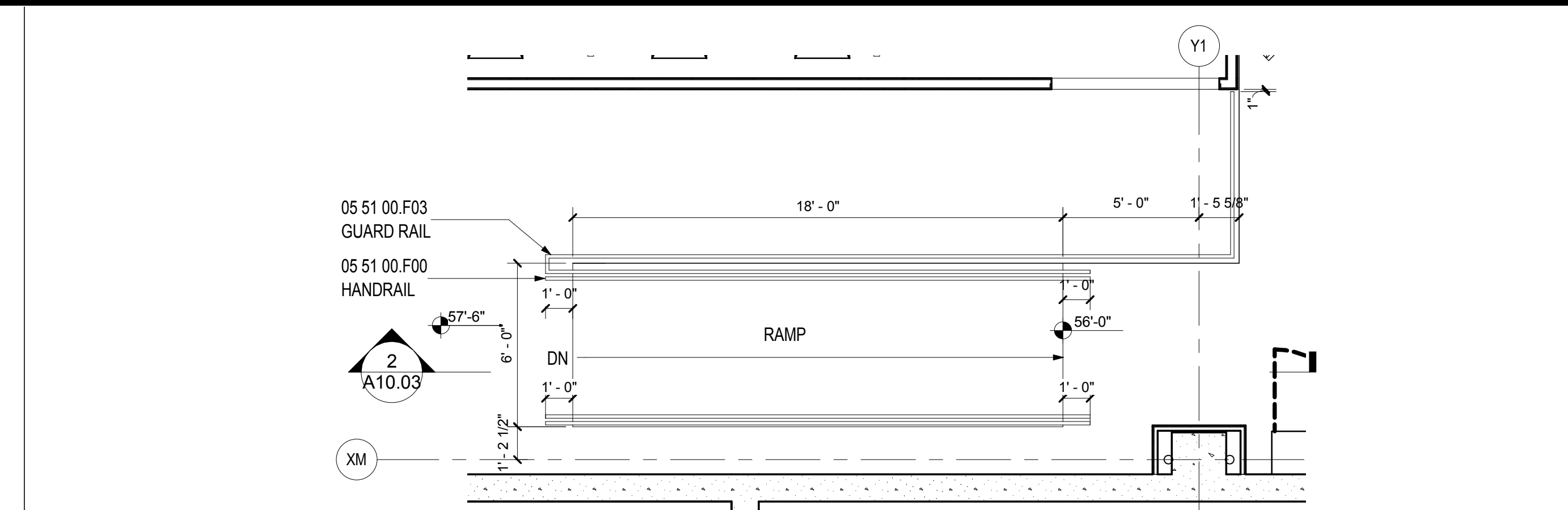
SECTION - STAIR AT EXISTING TERMINAL
SCALE: 1/4" = 1'-0" A10.03 16



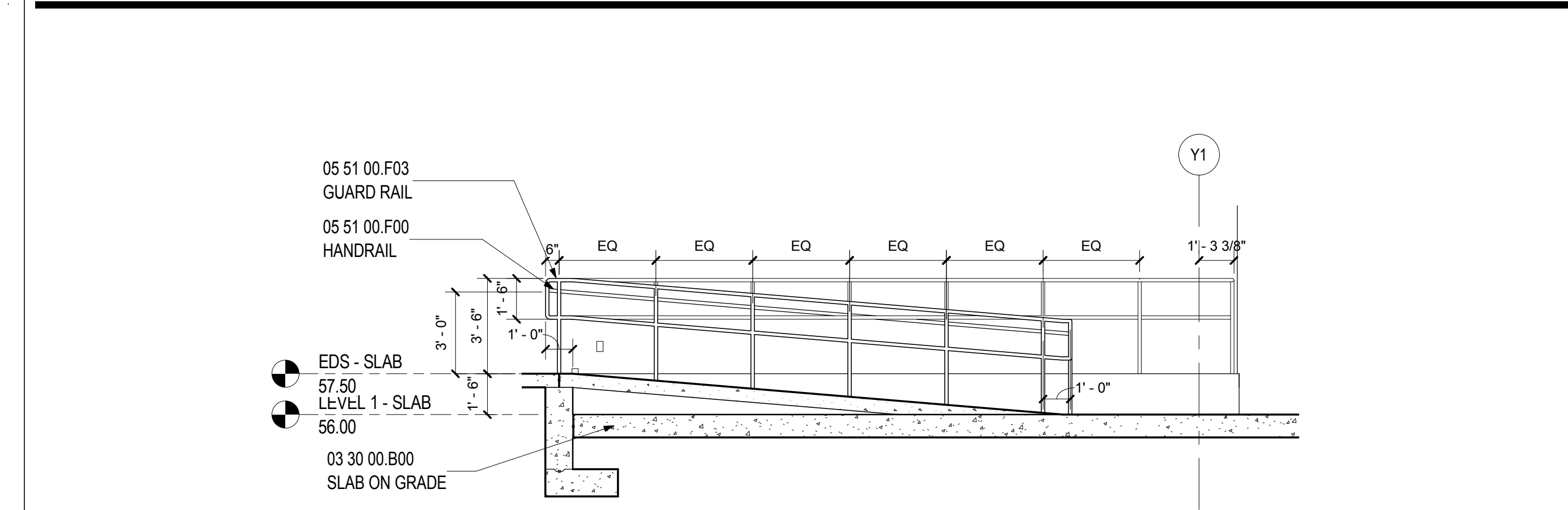
PLAN - STAIR @ BAGGAGE OUTBOUND
SCALE: 1/4" = 1'-0" A02.01.04 14



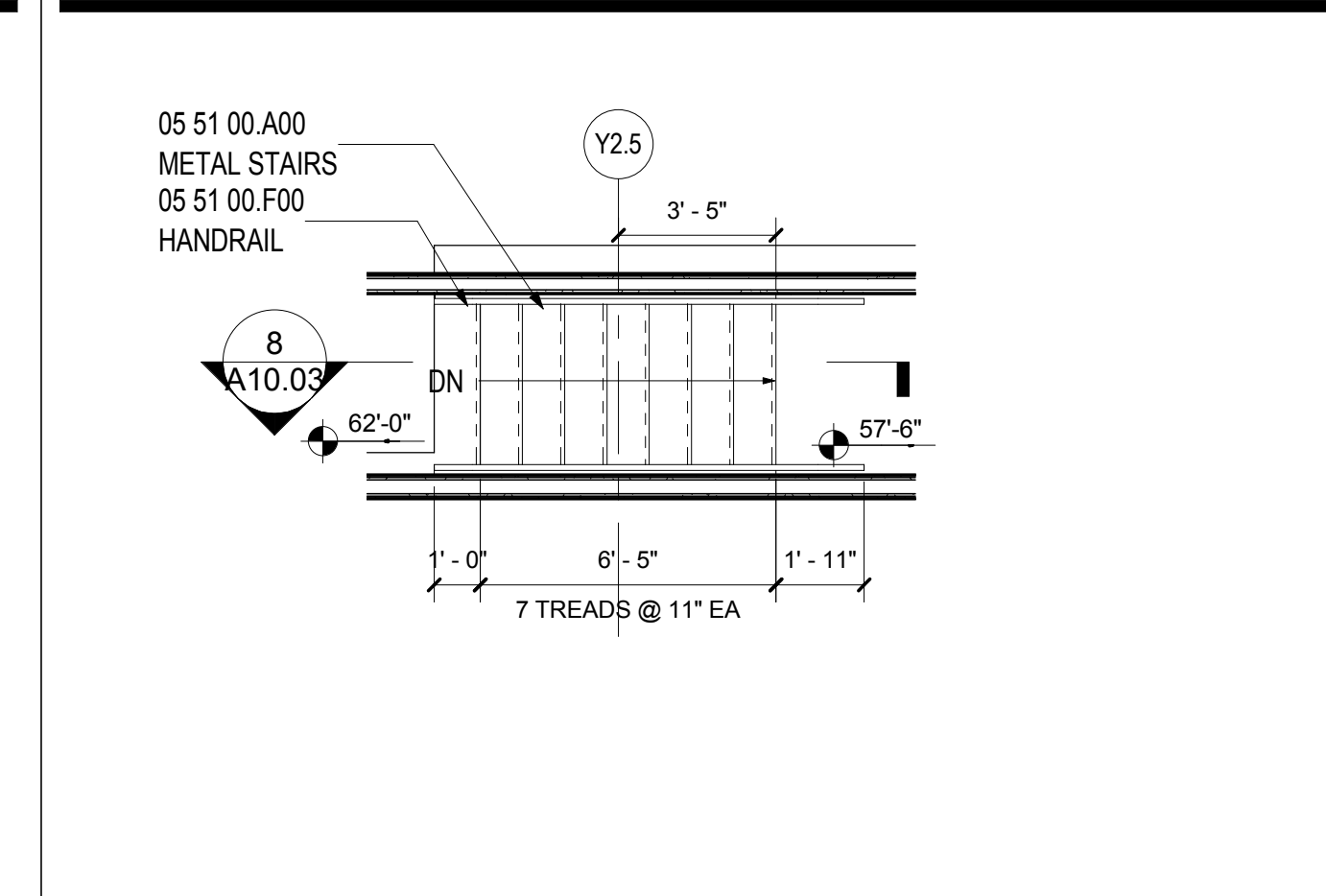
SECTION - STAIR @ BAG OUTBOUND
SCALE: 1/4" = 1'-0" A10.03 15



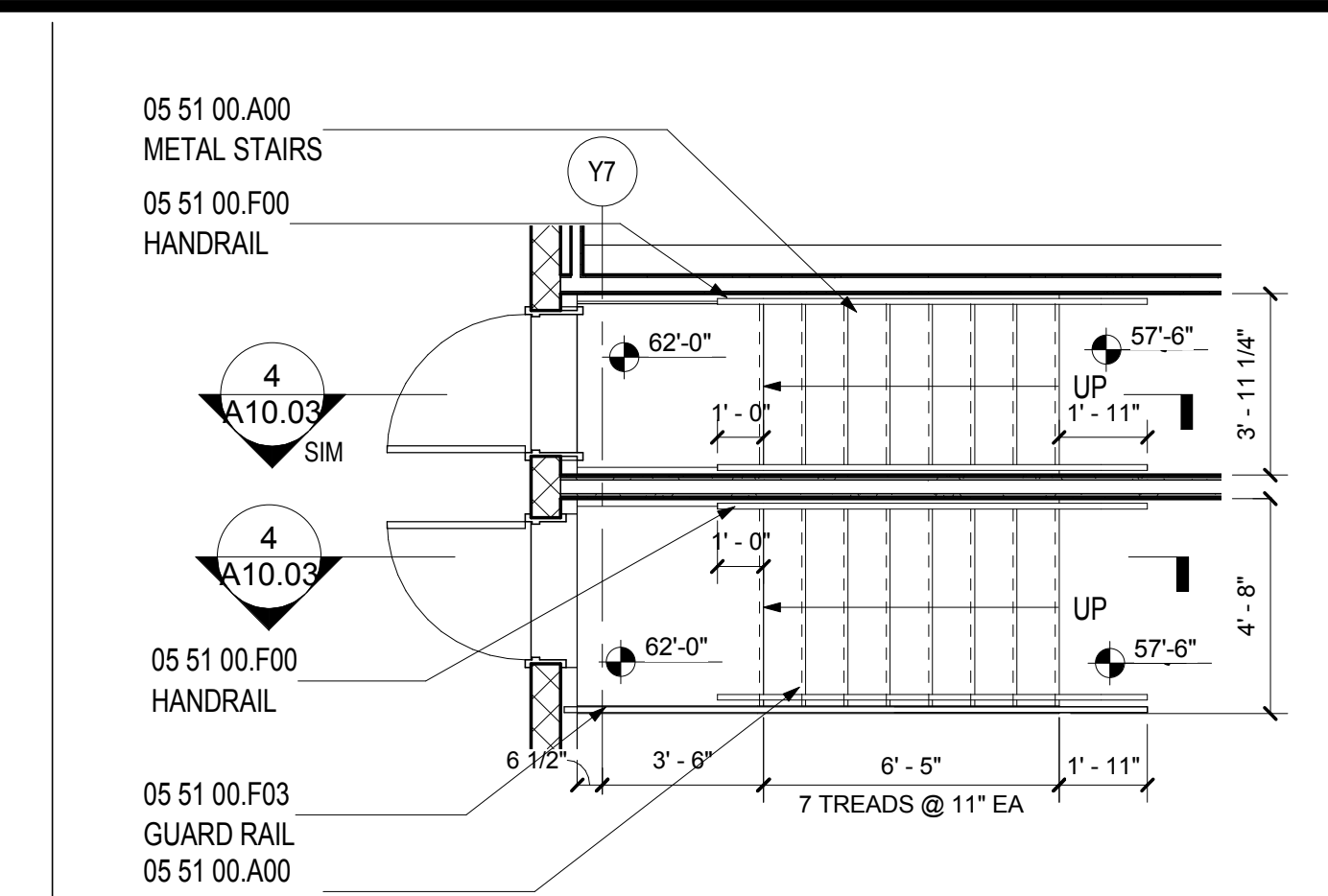
PLAN - RAMP AT BAGGAGE SCREENING
SCALE: 1/4" = 1'-0" A02.01.05 1



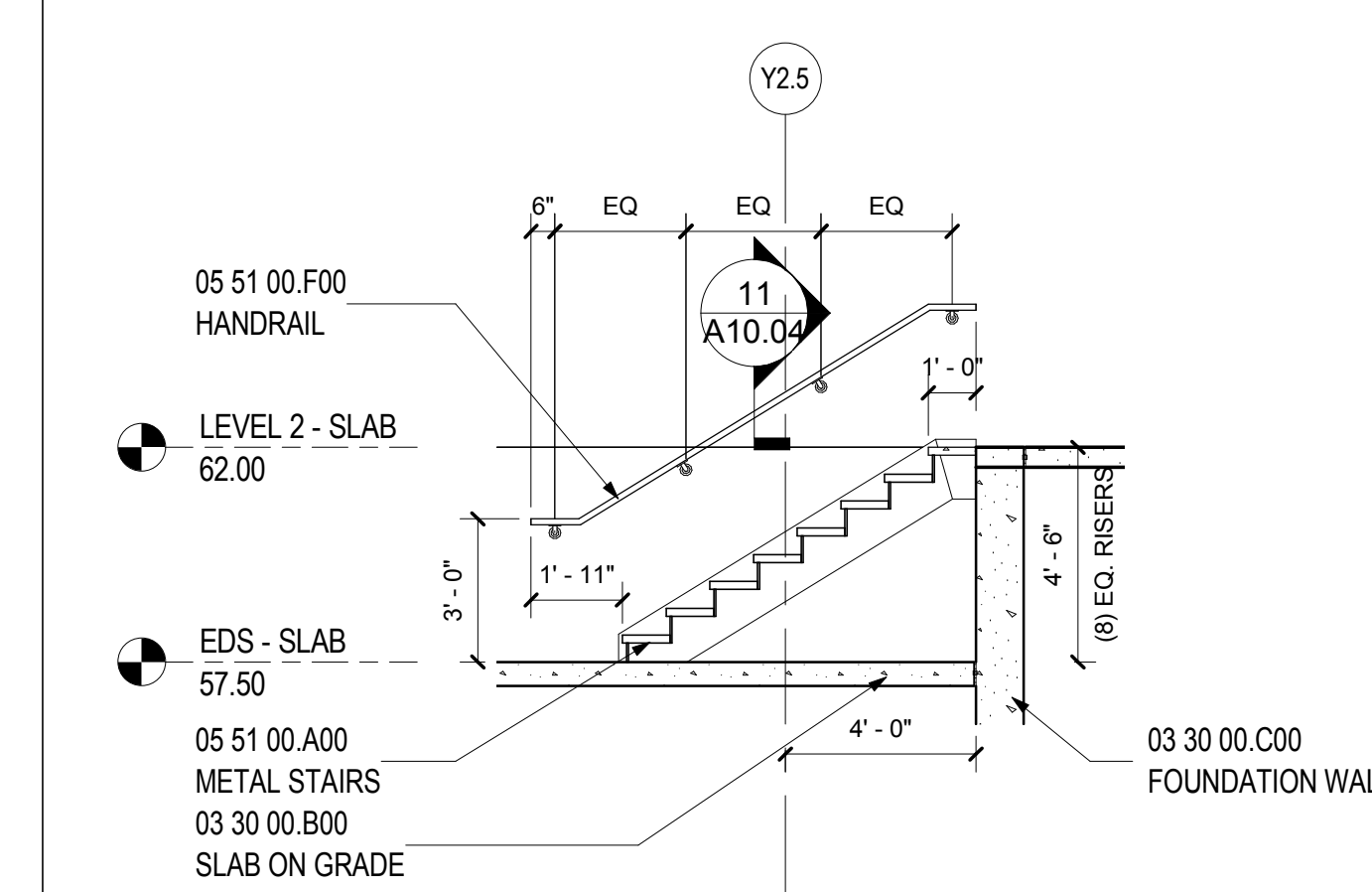
SECTION - RAMP @ BAGGAGE SCREENING
SCALE: 1/4" = 1'-0" A10.03 2



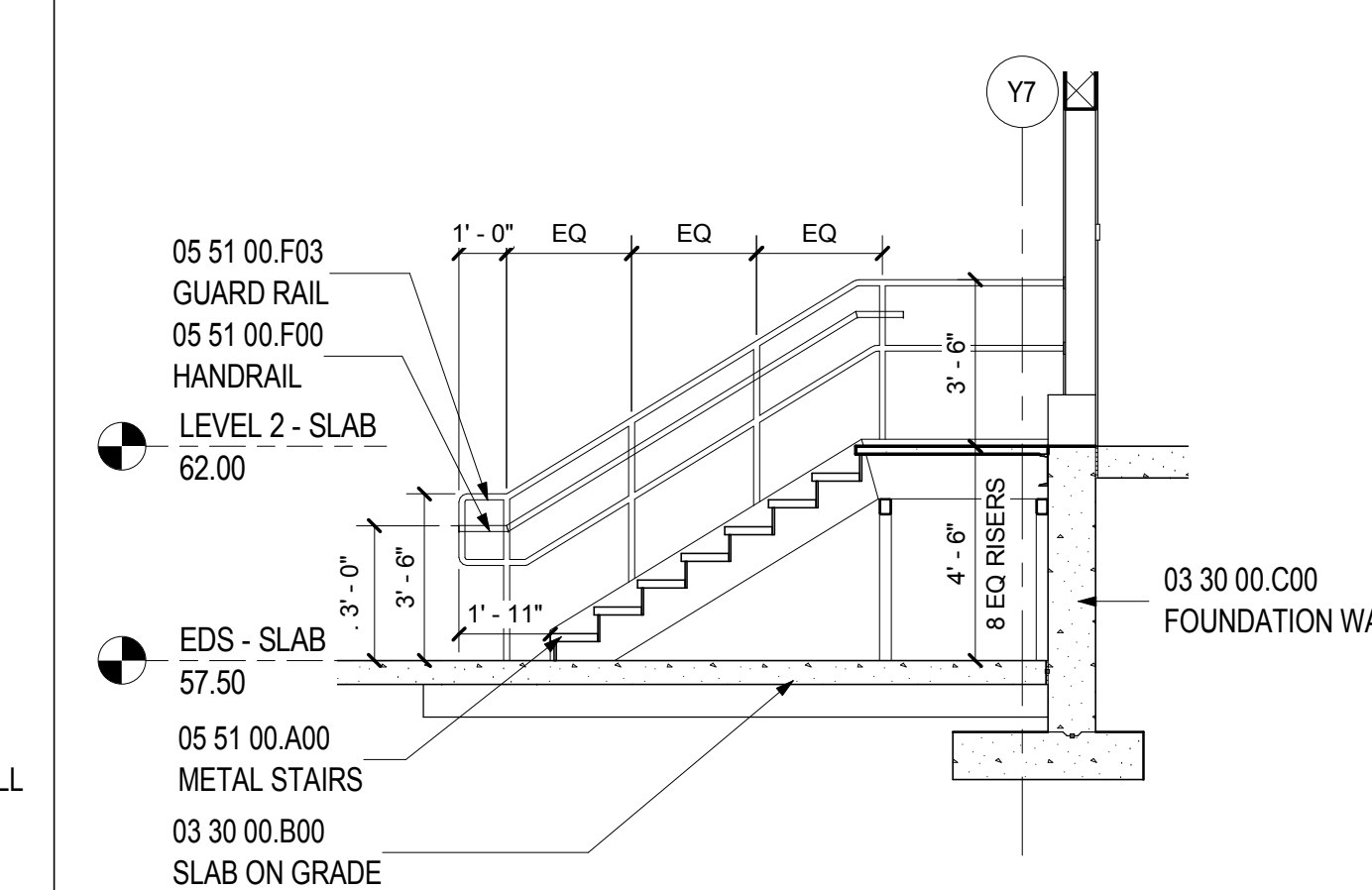
SECTION - STAIR AT CORRIDOR
SCALE: 1/4" = 1'-0" A02.01.03 7



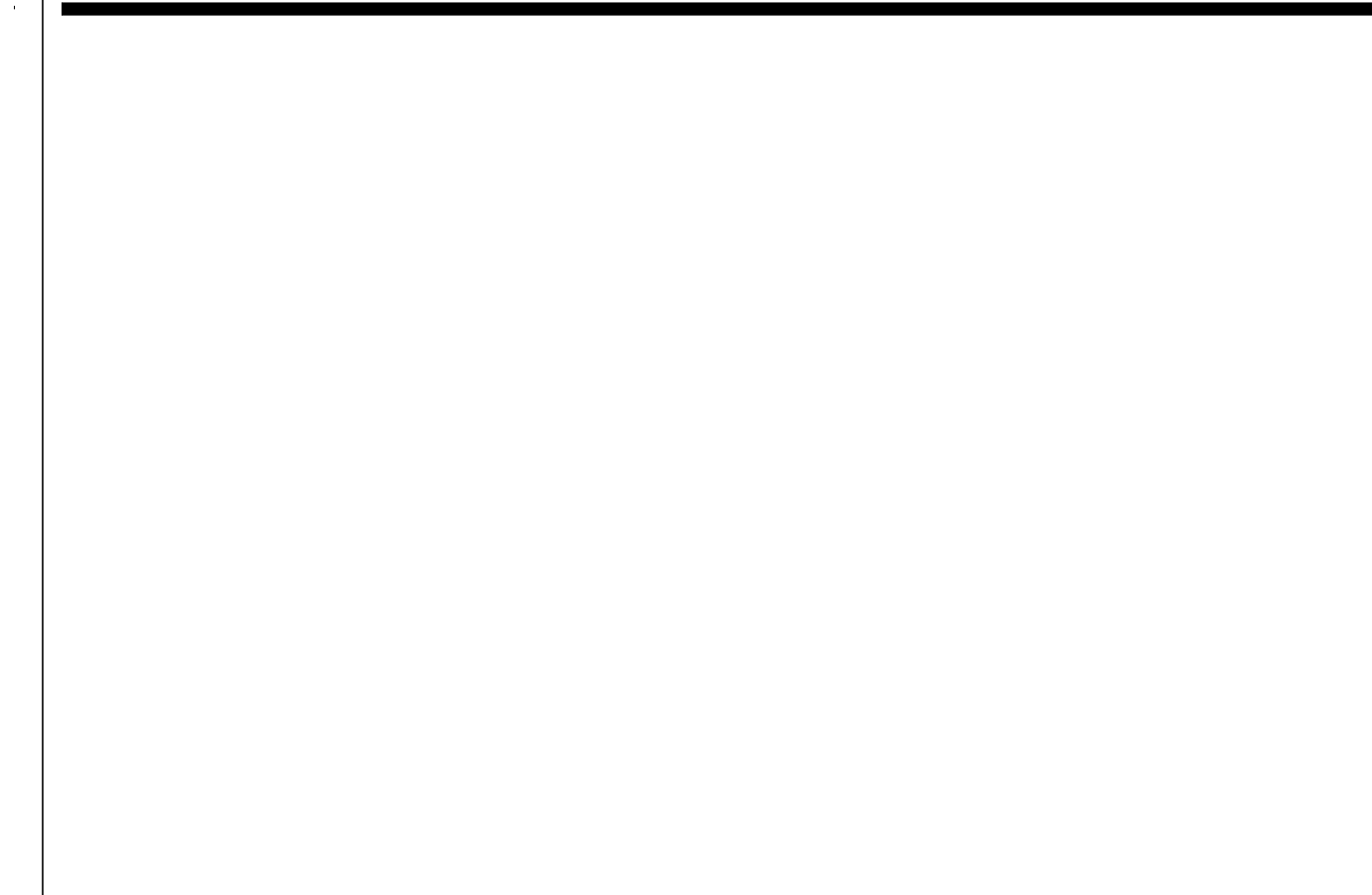
PLAN - EGRESS STAIR @ LEVEL 1
SCALE: 1/4" = 1'-0" A02.01.03 3



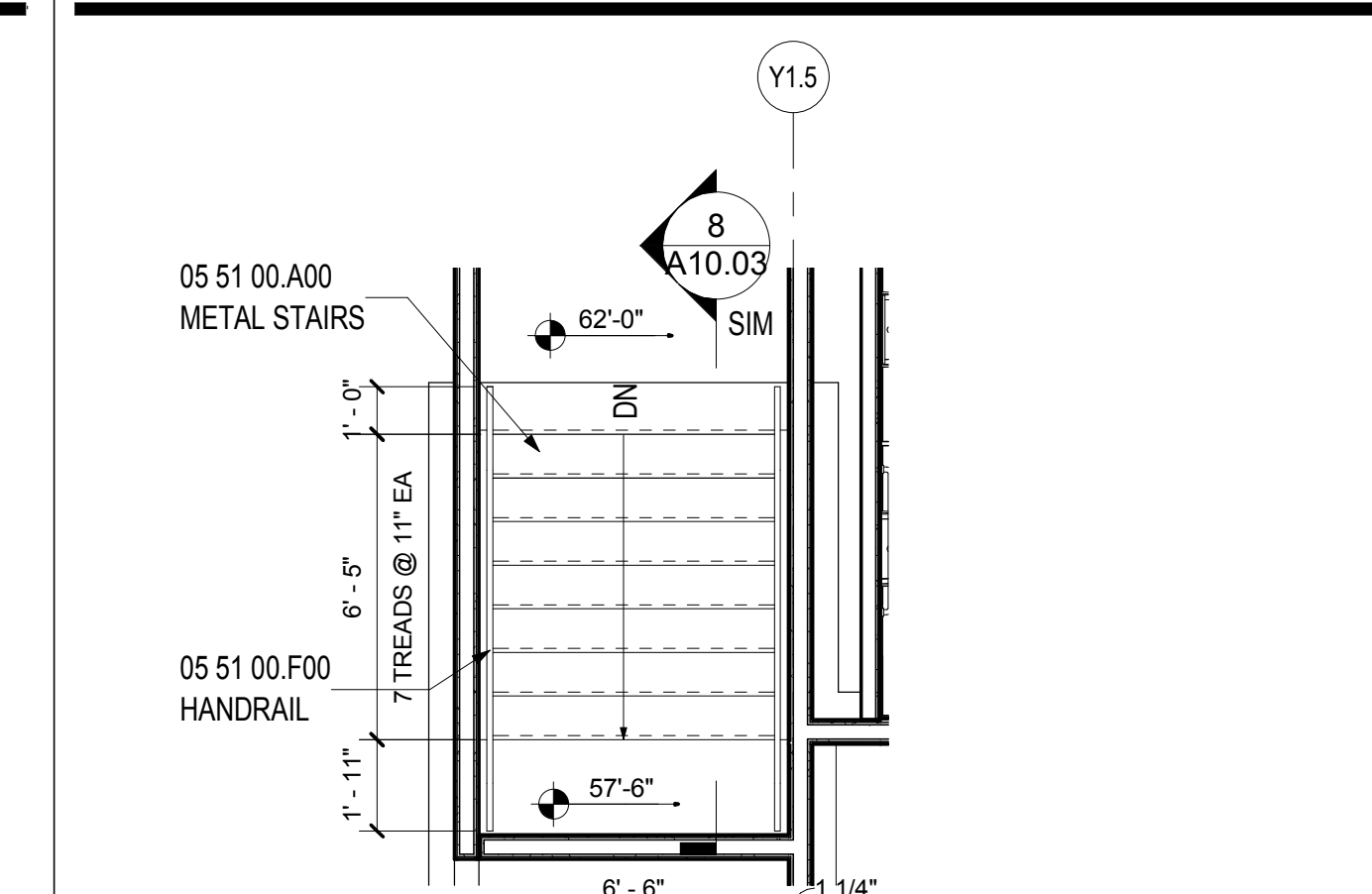
SECTION - STAIR AT CORRIDOR
SCALE: 1/4" = 1'-0" A10.03 8



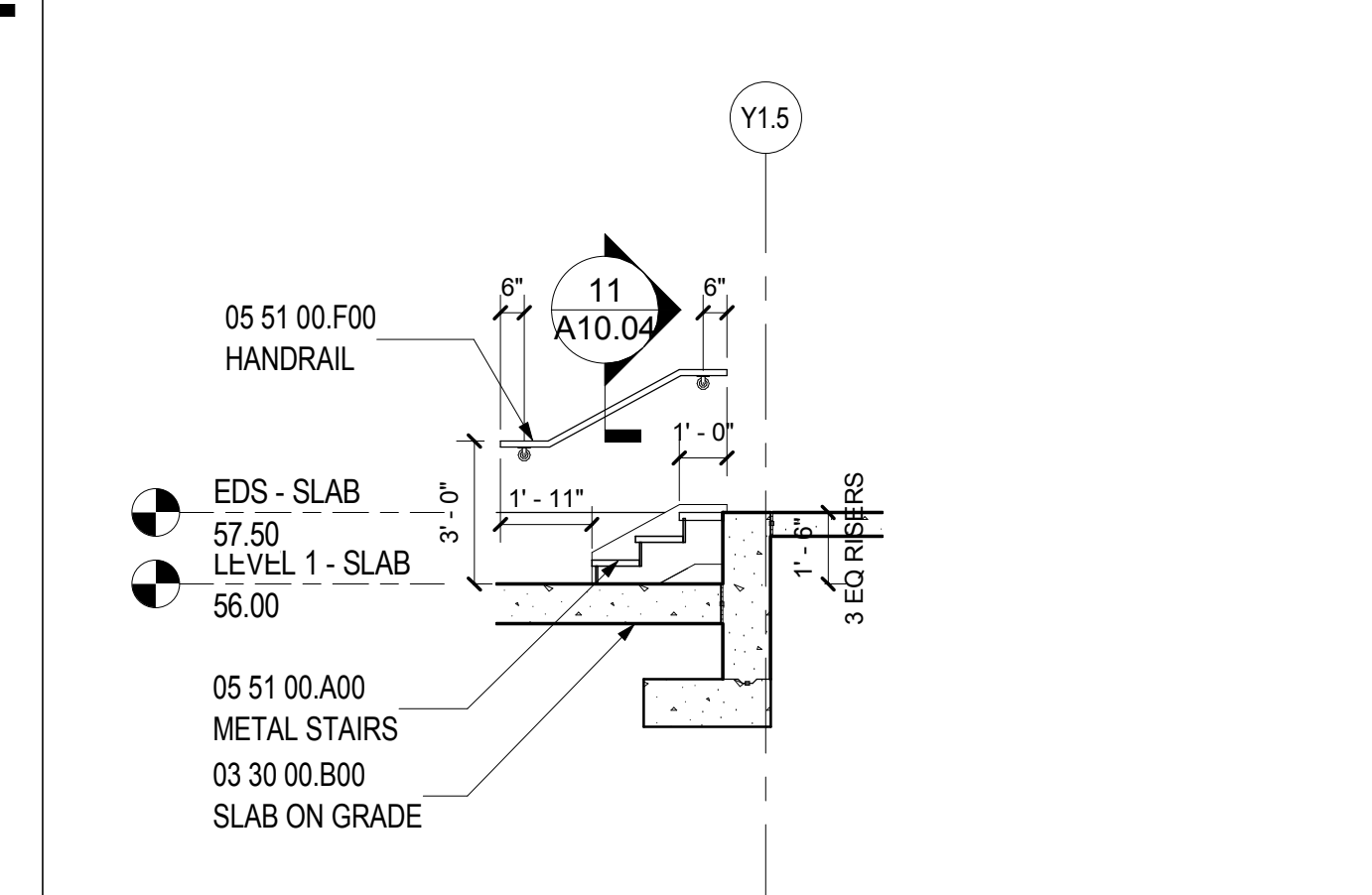
SECTION - EGRESS STAIR @ LEVEL 1
SCALE: 1/4" = 1'-0" A10.03 4



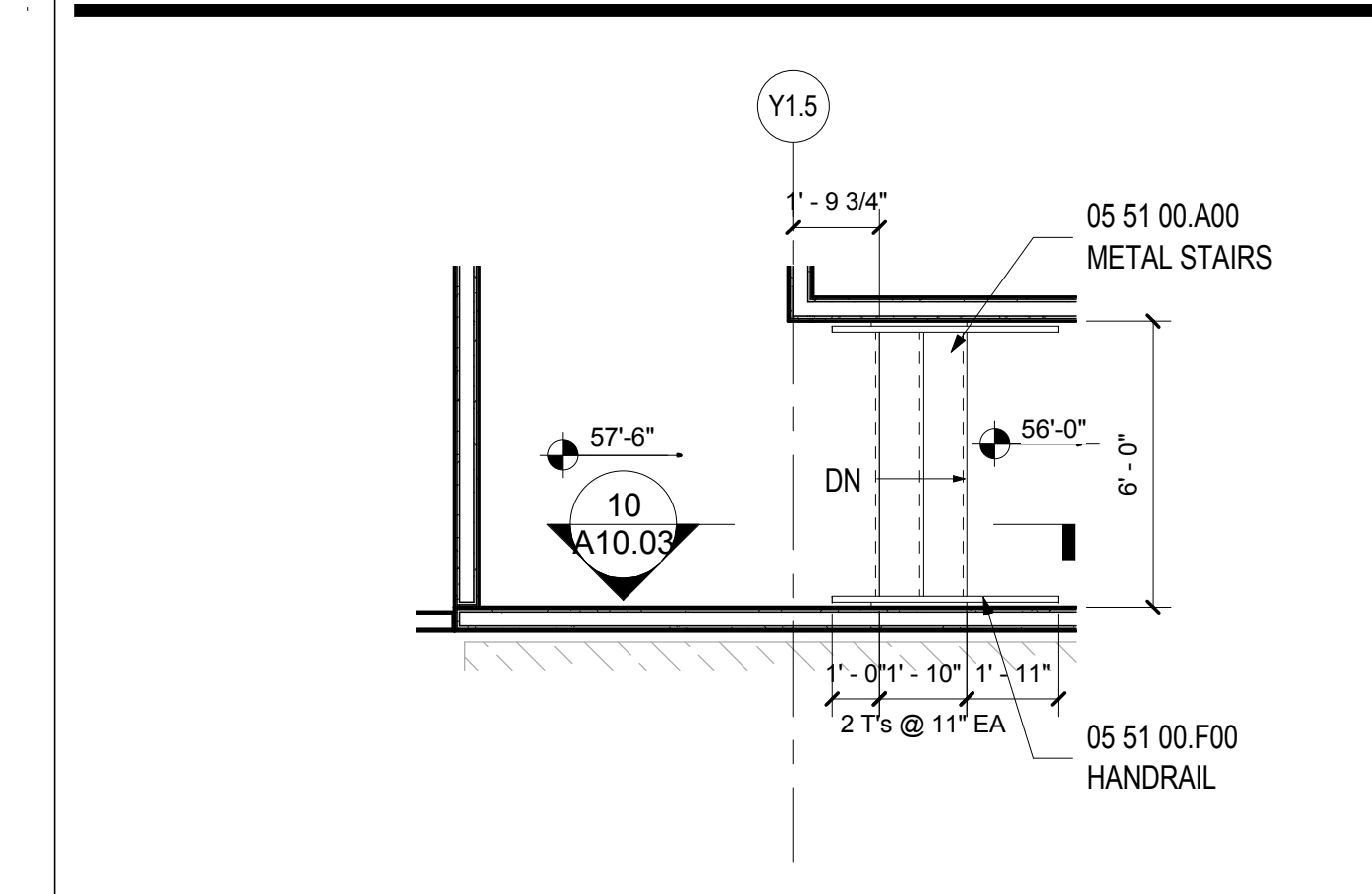
PLAN - STAIR AT CORRIDOR.
SCALE: 1/4" = 1'-0" A02.01.03 5



PLAN - STAIR AT CORRIDOR..
SCALE: 1/4" = 1'-0" A02.01.05 6



SECTION - STAIR AT CORRIDOR..
SCALE: 1/4" = 1'-0" A10.03 10



PLAN - STAIR AT CORRIDOR..
SCALE: 1/4" = 1'-0" A02.01.05 6

SHEET NOTES

Portland International Jetport
1001 Westbrook Street
Portland, Maine 04102

Gensler
2020 K Street, Northwest
Suite 200
Washington DC 20006
Telephone 202.721.5200
Facsimile 202.872.8587

Issue	Date & Issue Description	By	Check
01	01/21/09		
02	95% CONSTRUCTION DOCUMENTS		
02	10/28/09		
	ISSUED FOR PERMIT		

Seal/Signature

 WILLIAM D. HOOPER
 State of Maine License No. 10001

Project Name
PJM Terminal Enhancement

Project Number
09-6395-000

Description
VERTICAL CIRCULATION - STAIRS AT BAGGAGE

Scale
1/4" = 1'-0"

A10.03

© 2009 Gensler