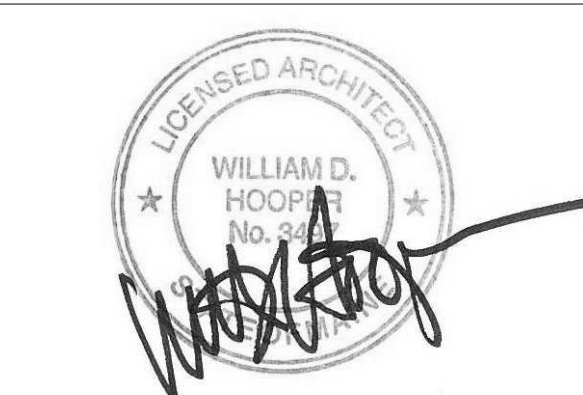


Seal/Signature



Project Name
PWM Terminal Enhancement

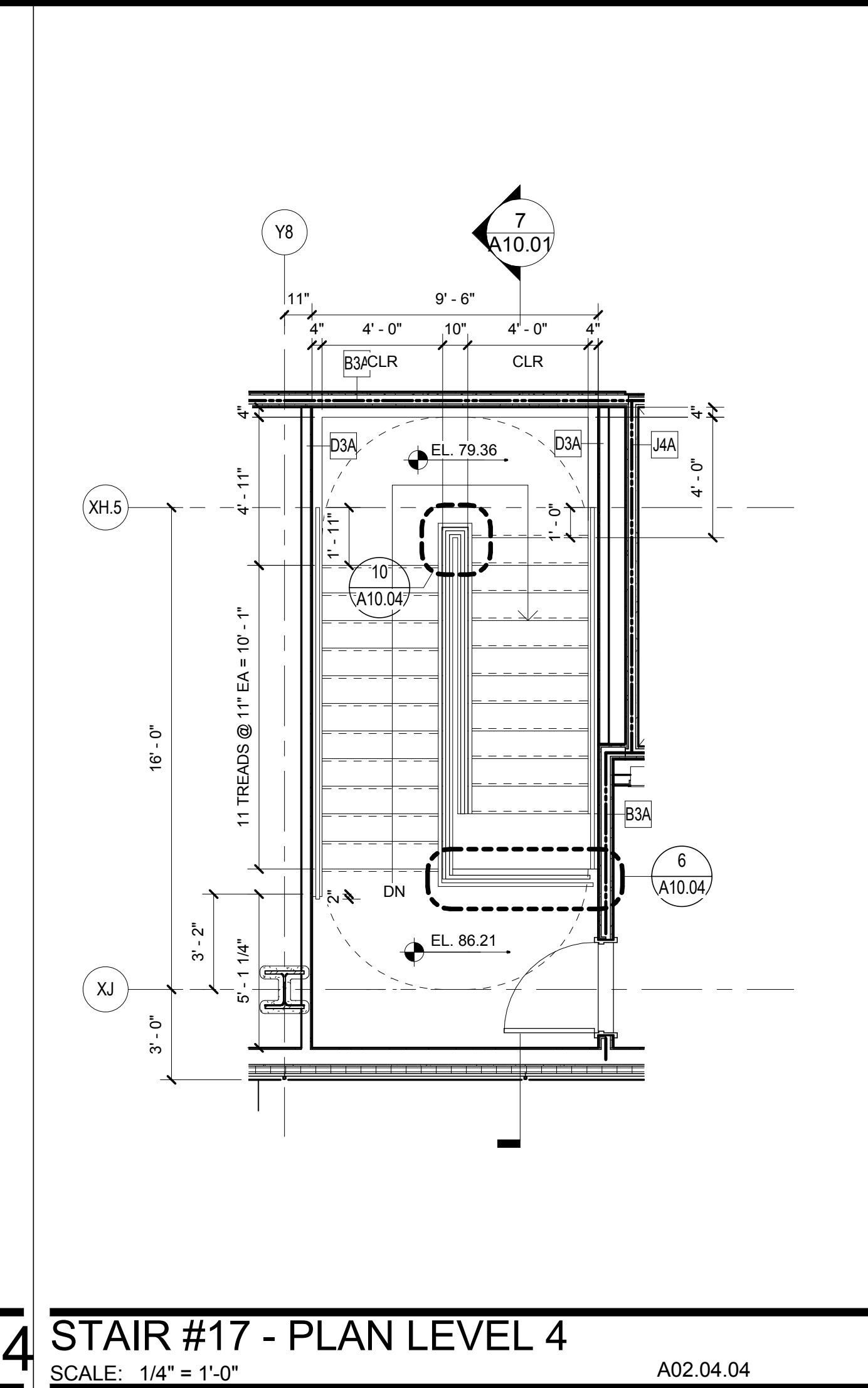
Project Number
09-6395-000

Description
VERTICAL CIRCULATION - STAIR #17 & 18

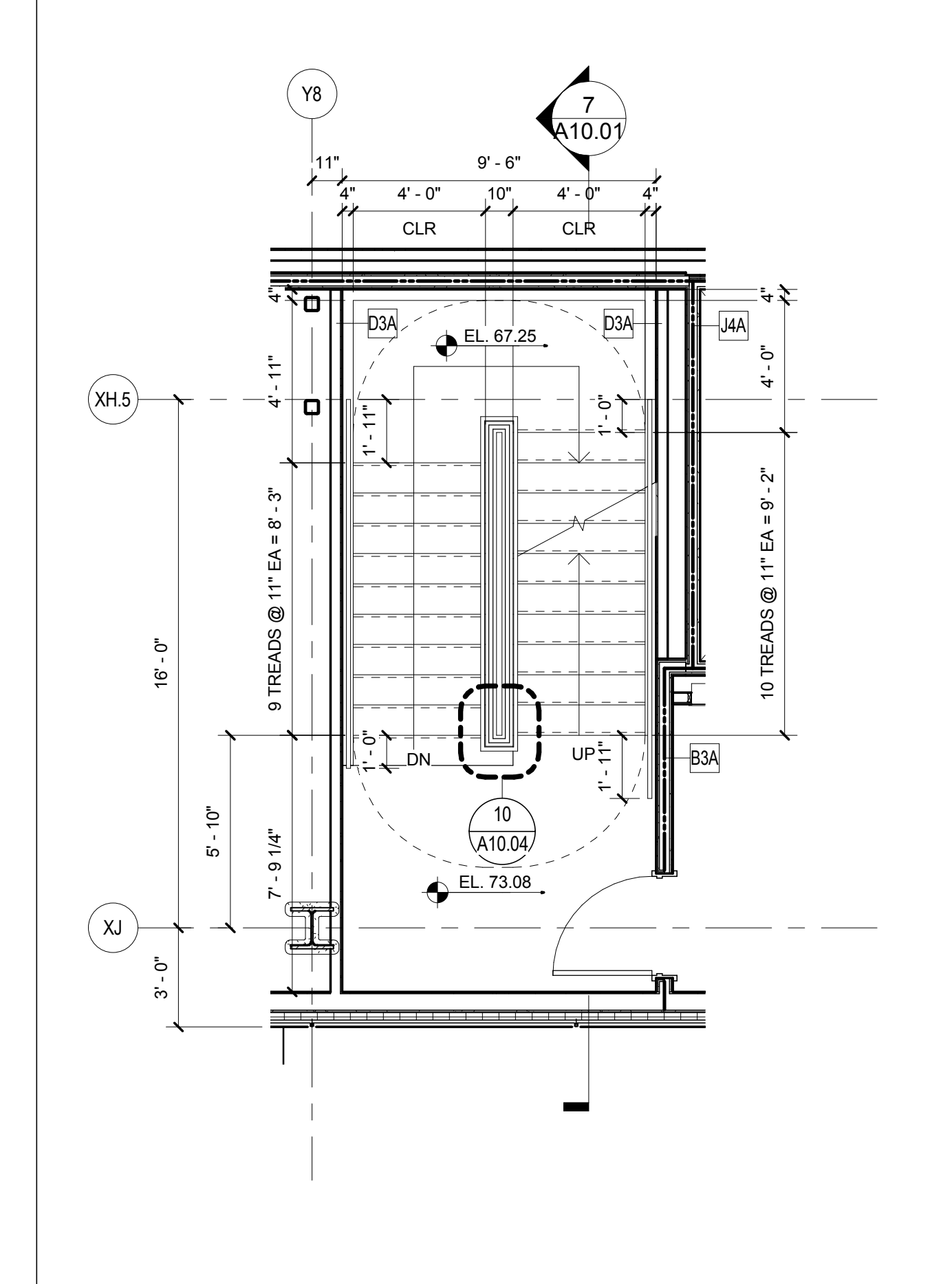
Scale
1/4" = 1'-0"

A10.01

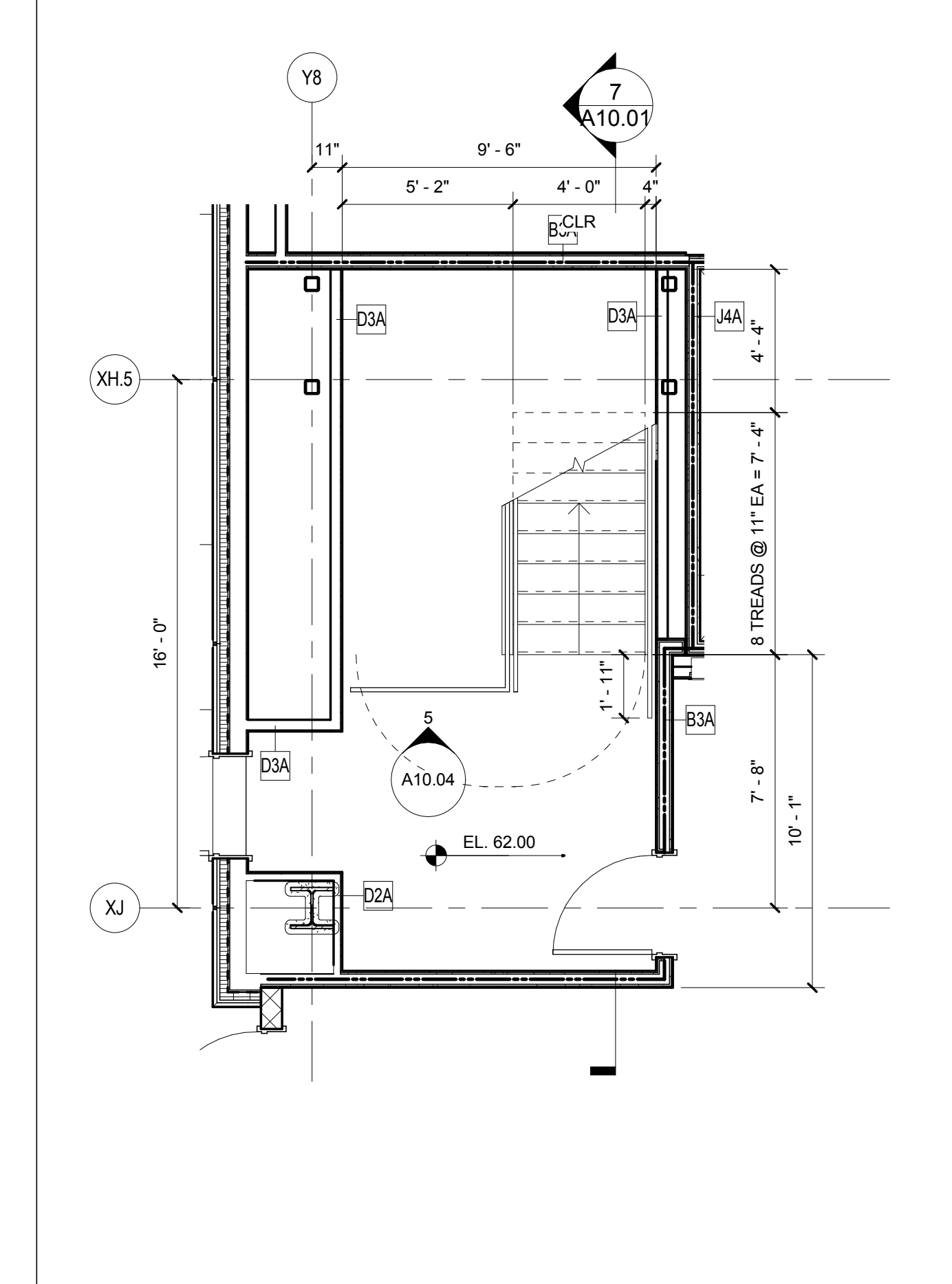
© 2009 Gensler



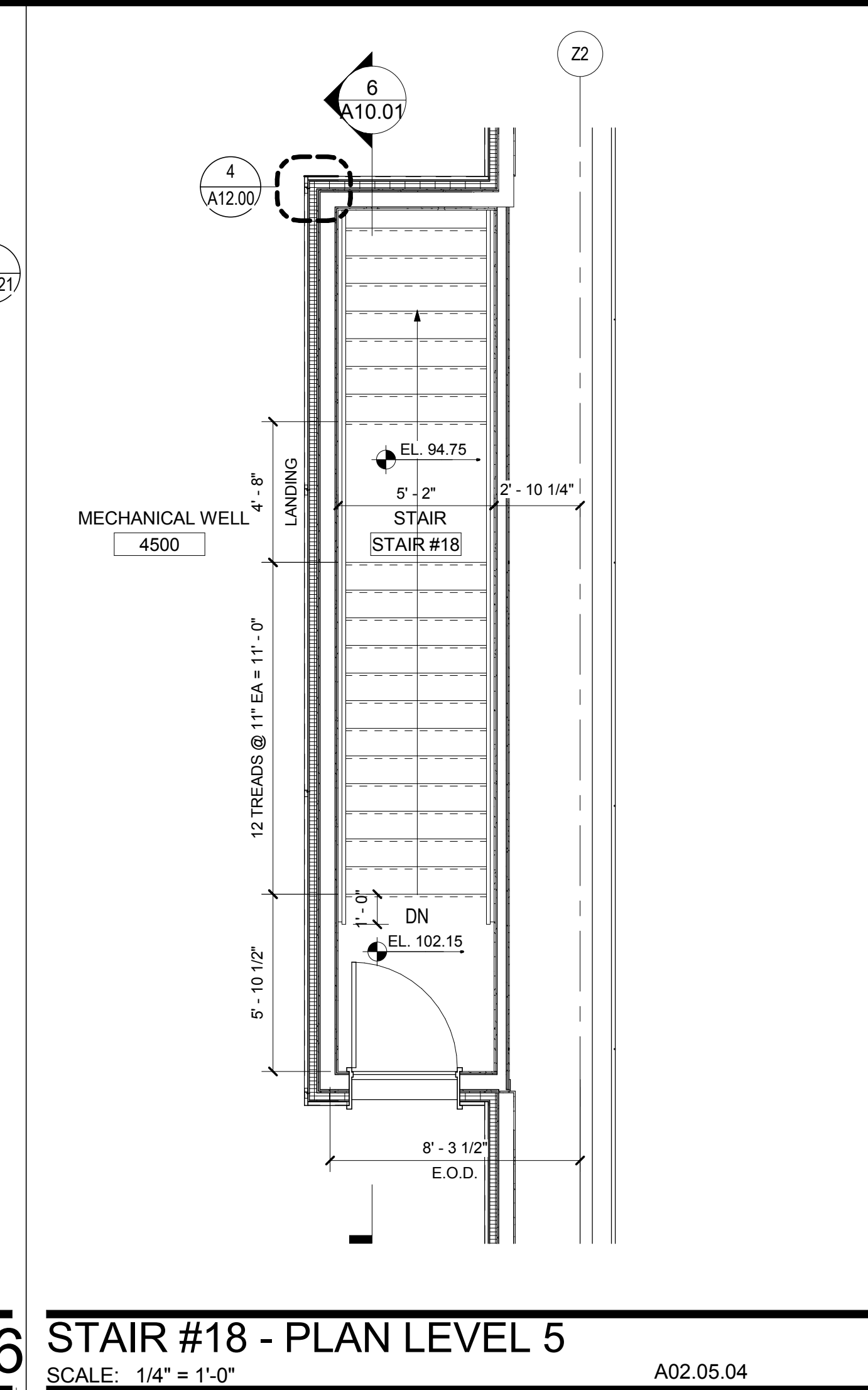
STAIR #17 - PLAN LEVEL 4
SCALE: 1/4" = 1'-0" A02.04.04 1



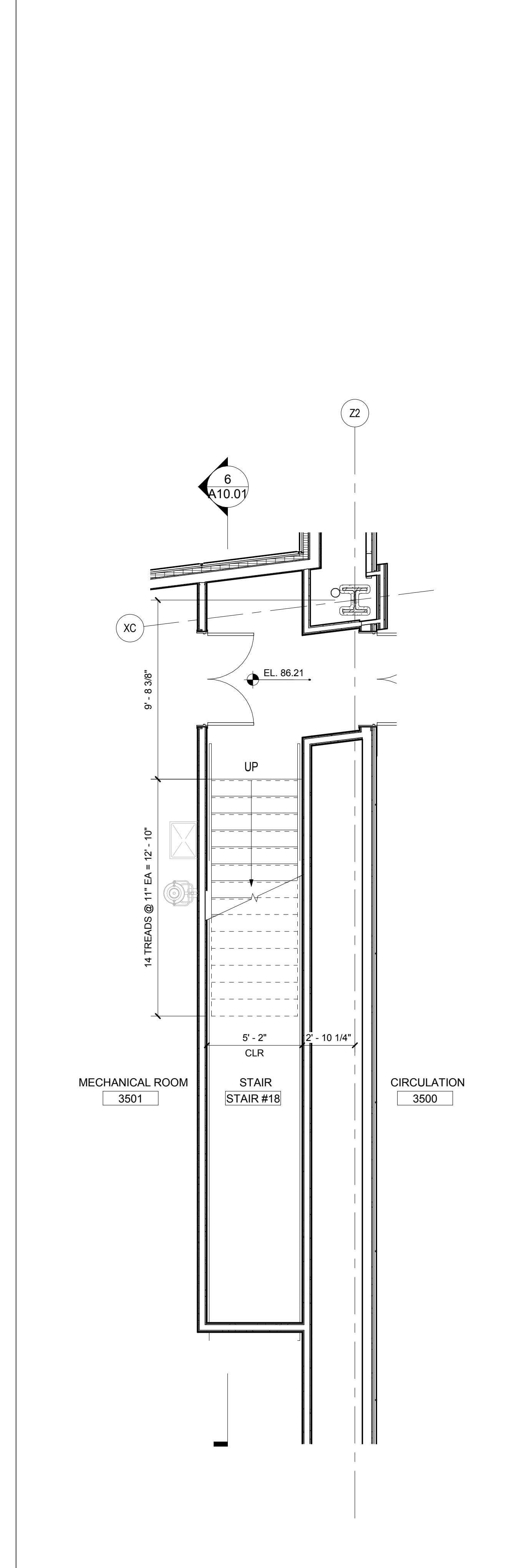
STAIR #17 - PLAN LEVEL 3
SCALE: 1/4" = 1'-0" A02.03.02 2



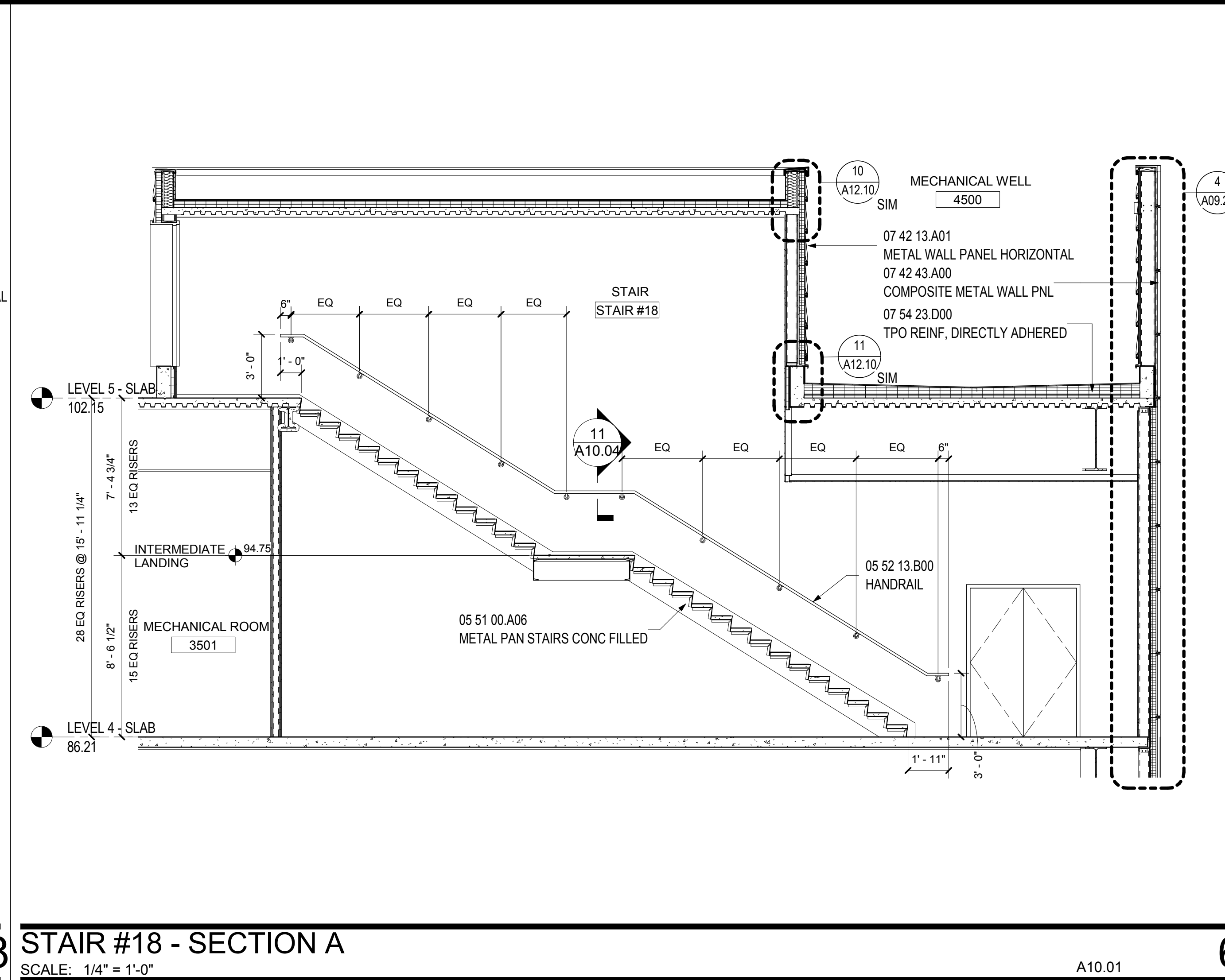
STAIR #17 - PLAN LEVEL 2
SCALE: 1/4" = 1'-0" A02.02.03 3



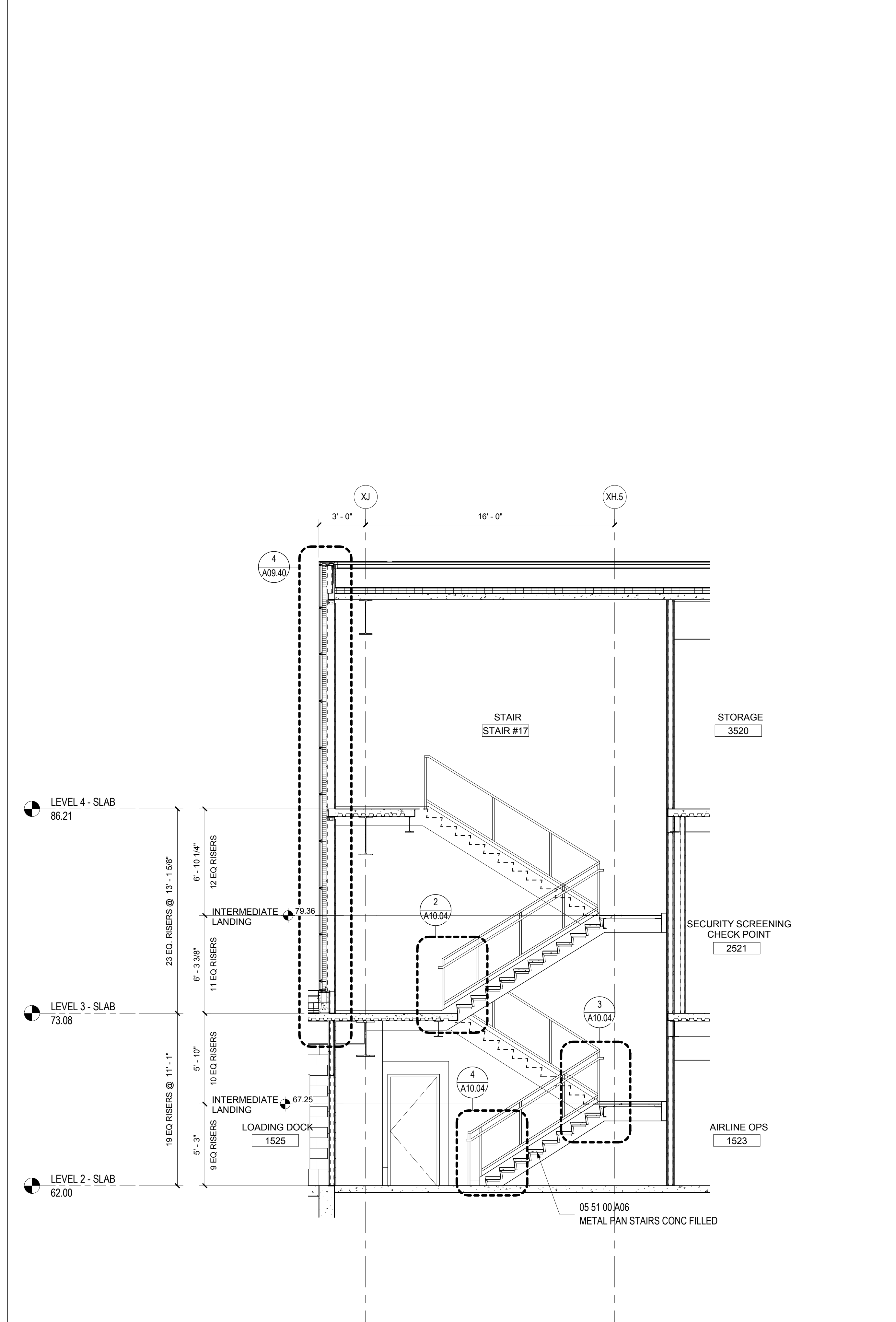
STAIR #18 - PLAN LEVEL 5
SCALE: 1/4" = 1'-0" A02.05.04 6



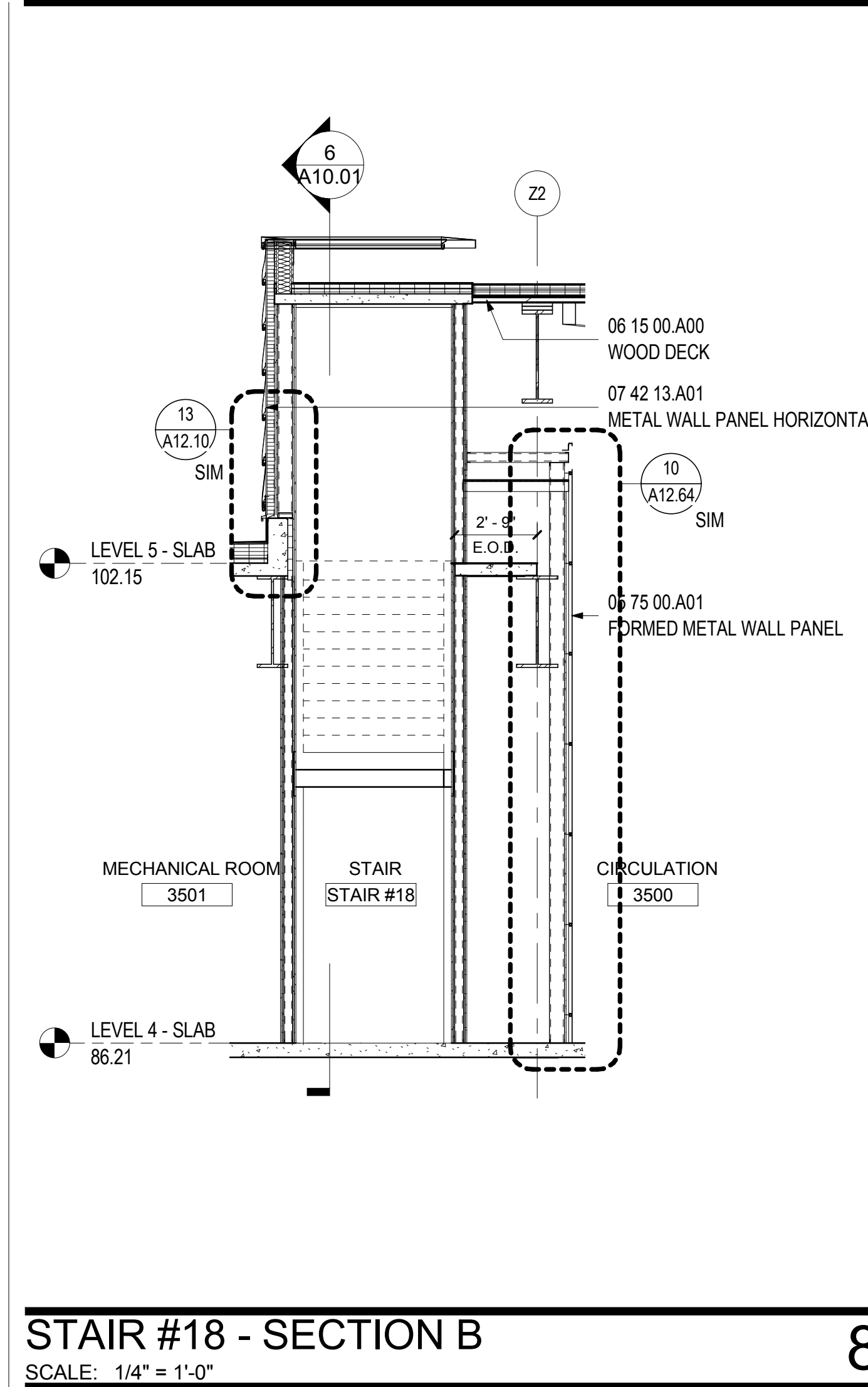
STAIR #18 - PLAN LEVEL 4
SCALE: 1/4" = 1'-0" A02.04.04 7



STAIR #18 - SECTION A
SCALE: 1/4" = 1'-0" A10.01 8



STAIR #17 - SECTION
SCALE: 1/4" = 1'-0" A10.01 7



STAIR #18 - SECTION B
SCALE: 1/4" = 1'-0" 8