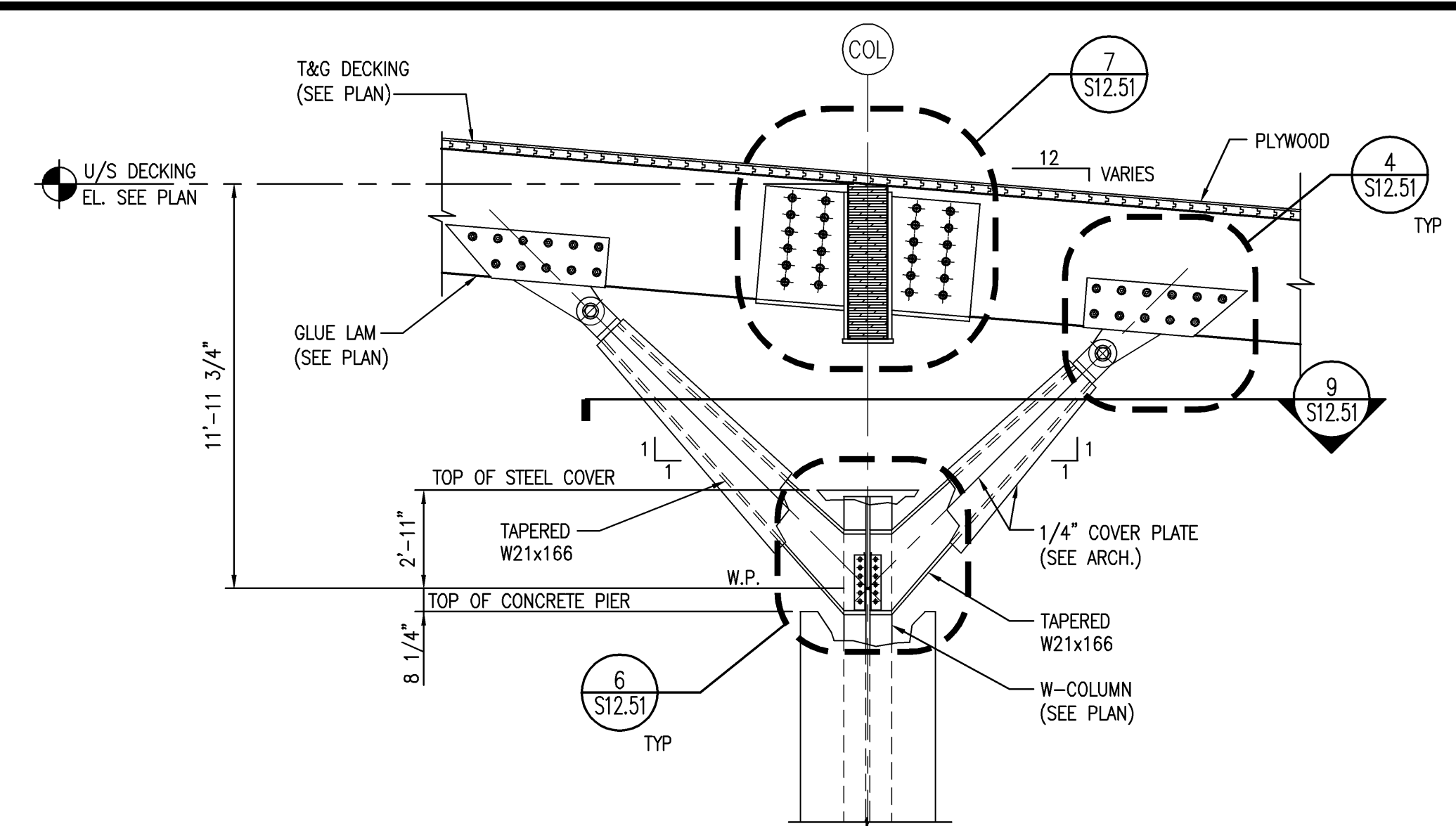
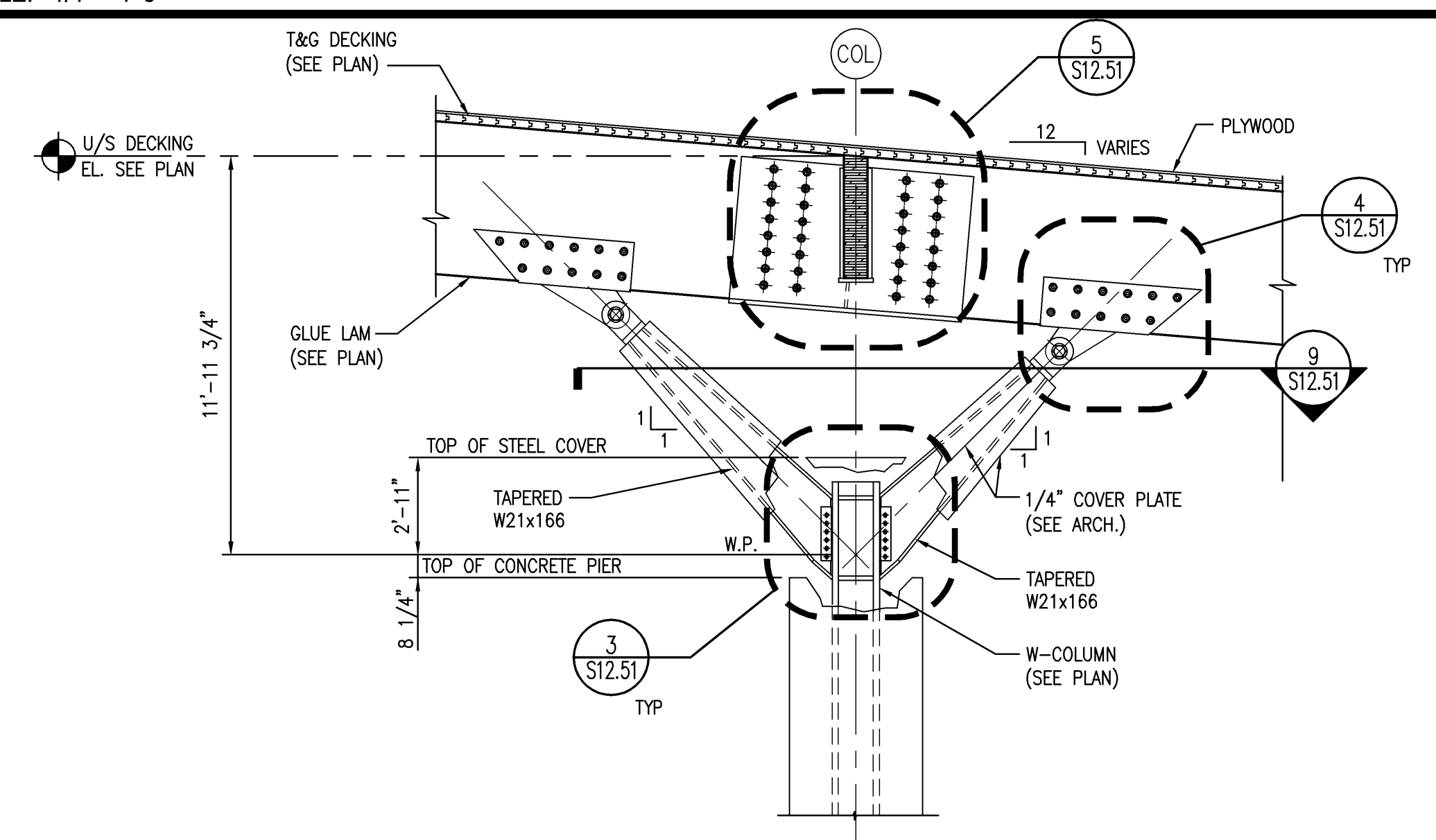


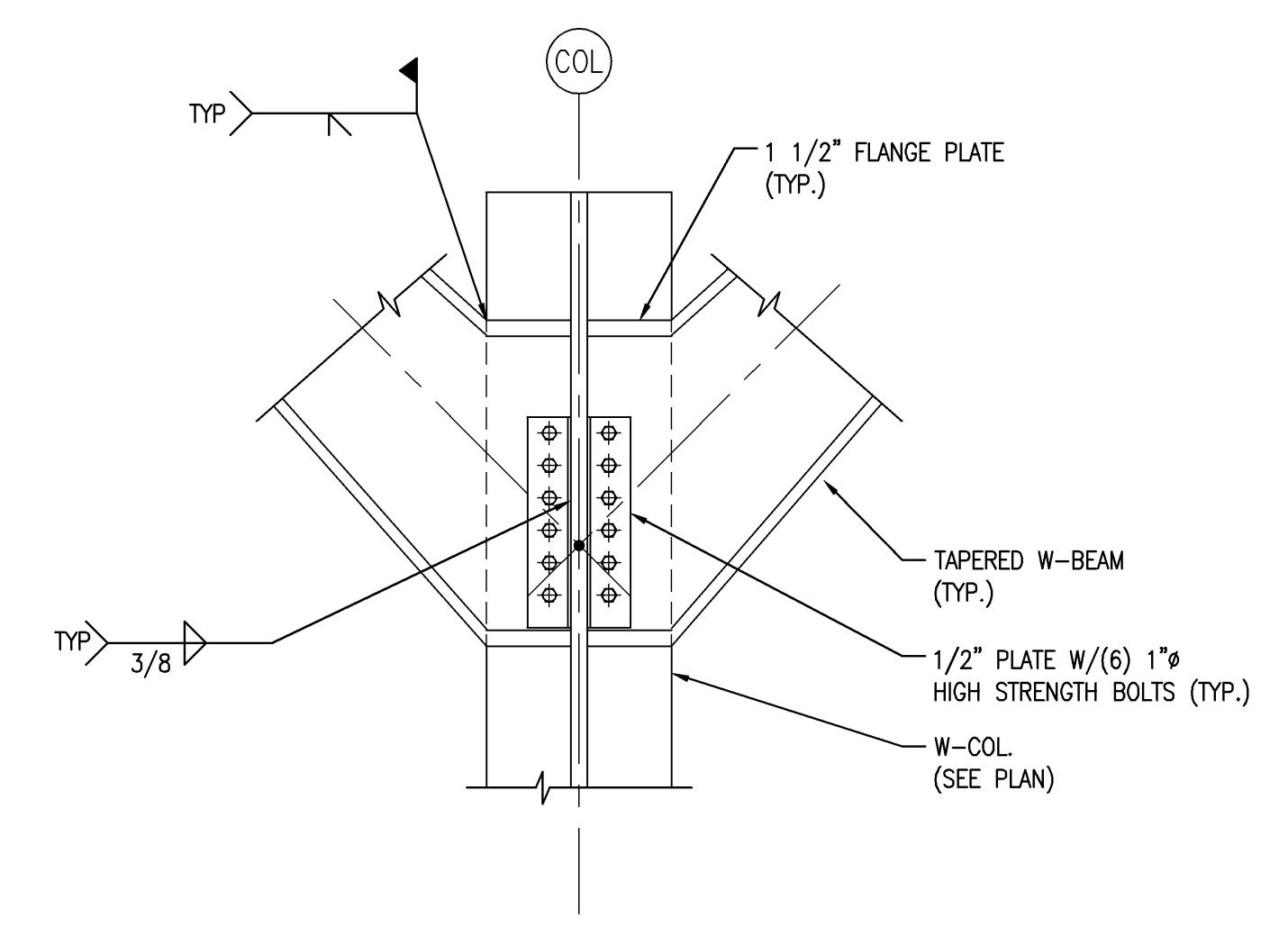
SECTION 9
SCALE: 3/4" = 1'-0"
S12.51



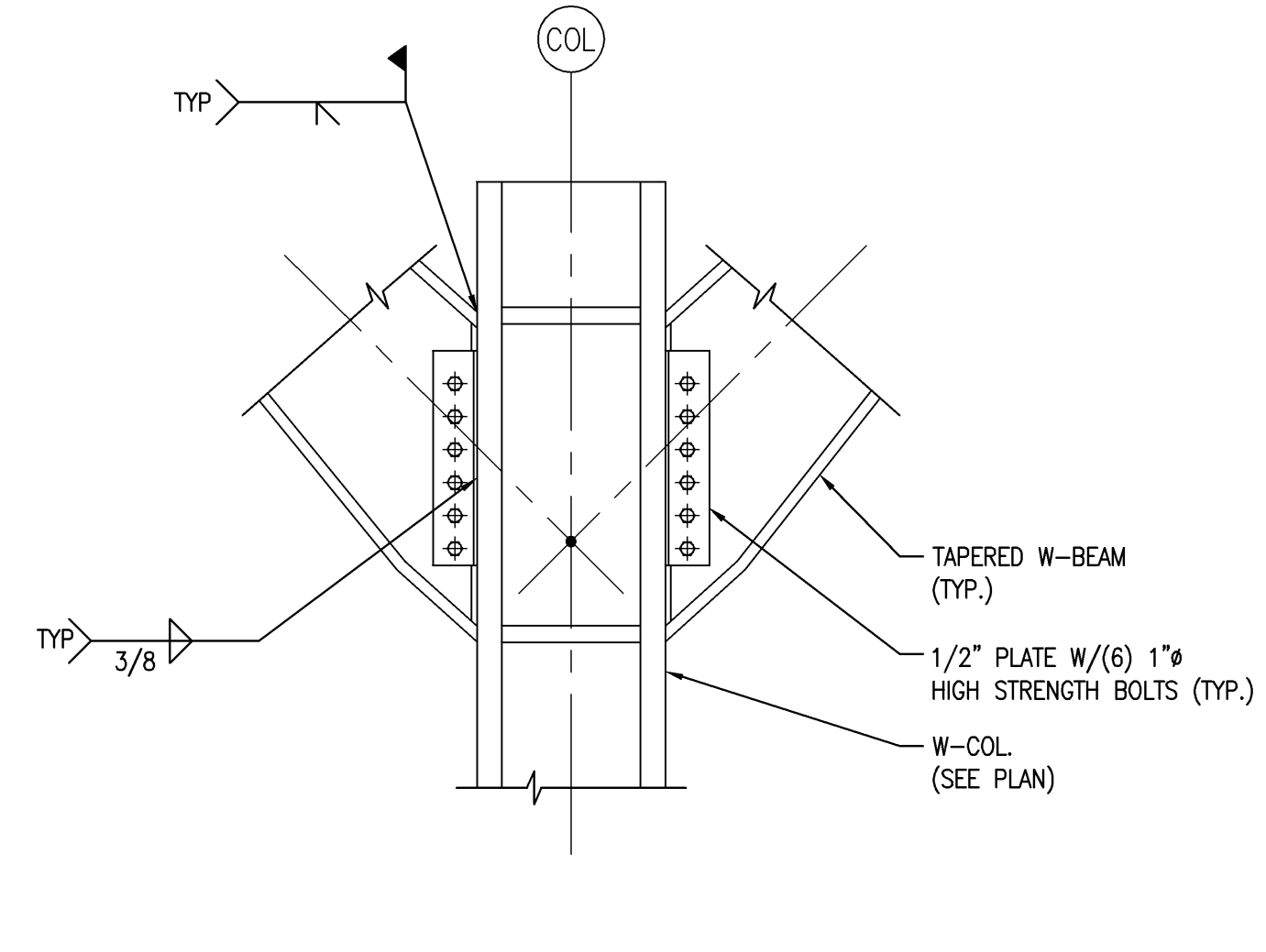
SECTION 1
SCALE: 1/4" = 1'-0"
S02.RP.05



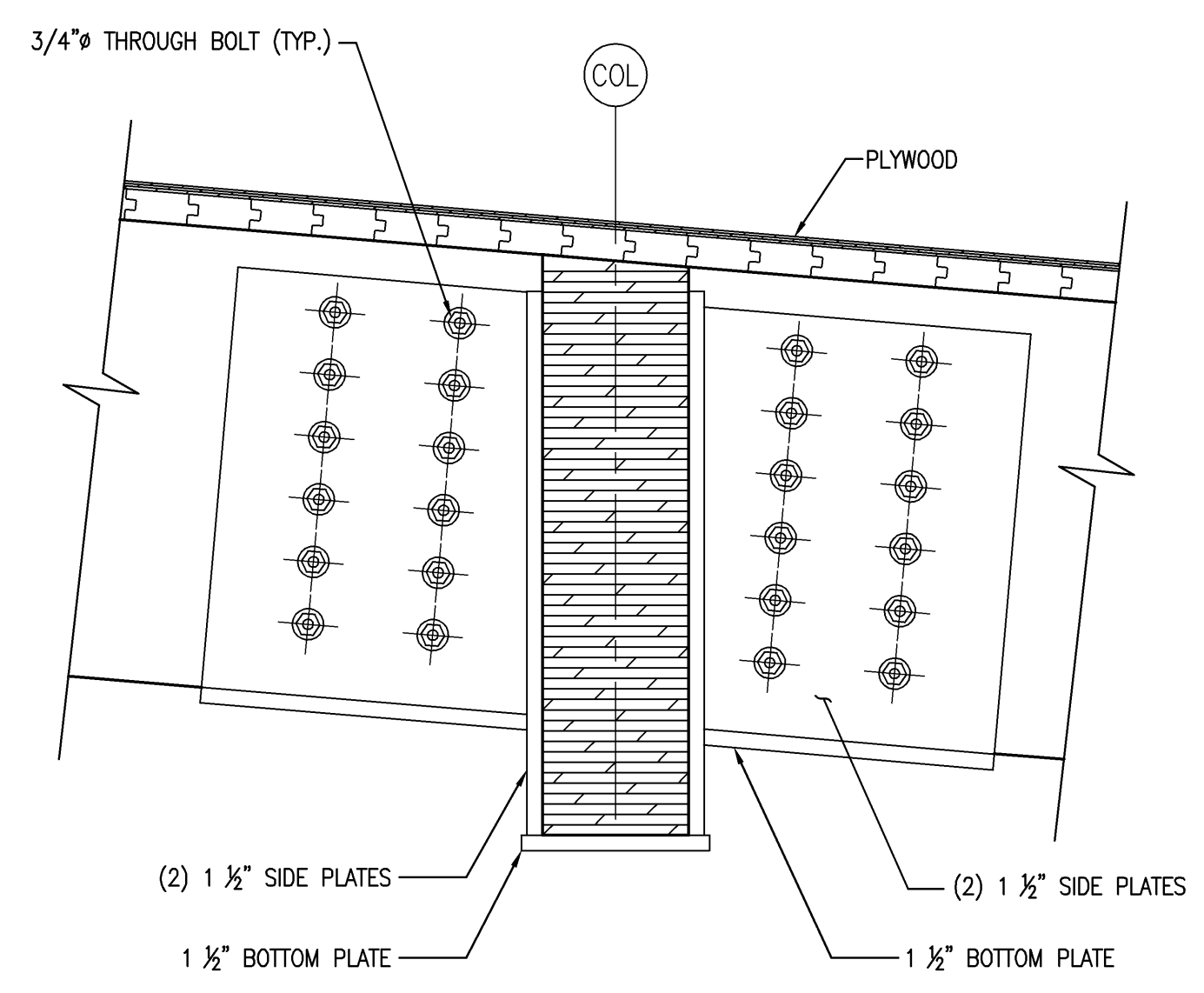
SECTION 2
SCALE: 1/4" = 1'-0"
S02.RP.05



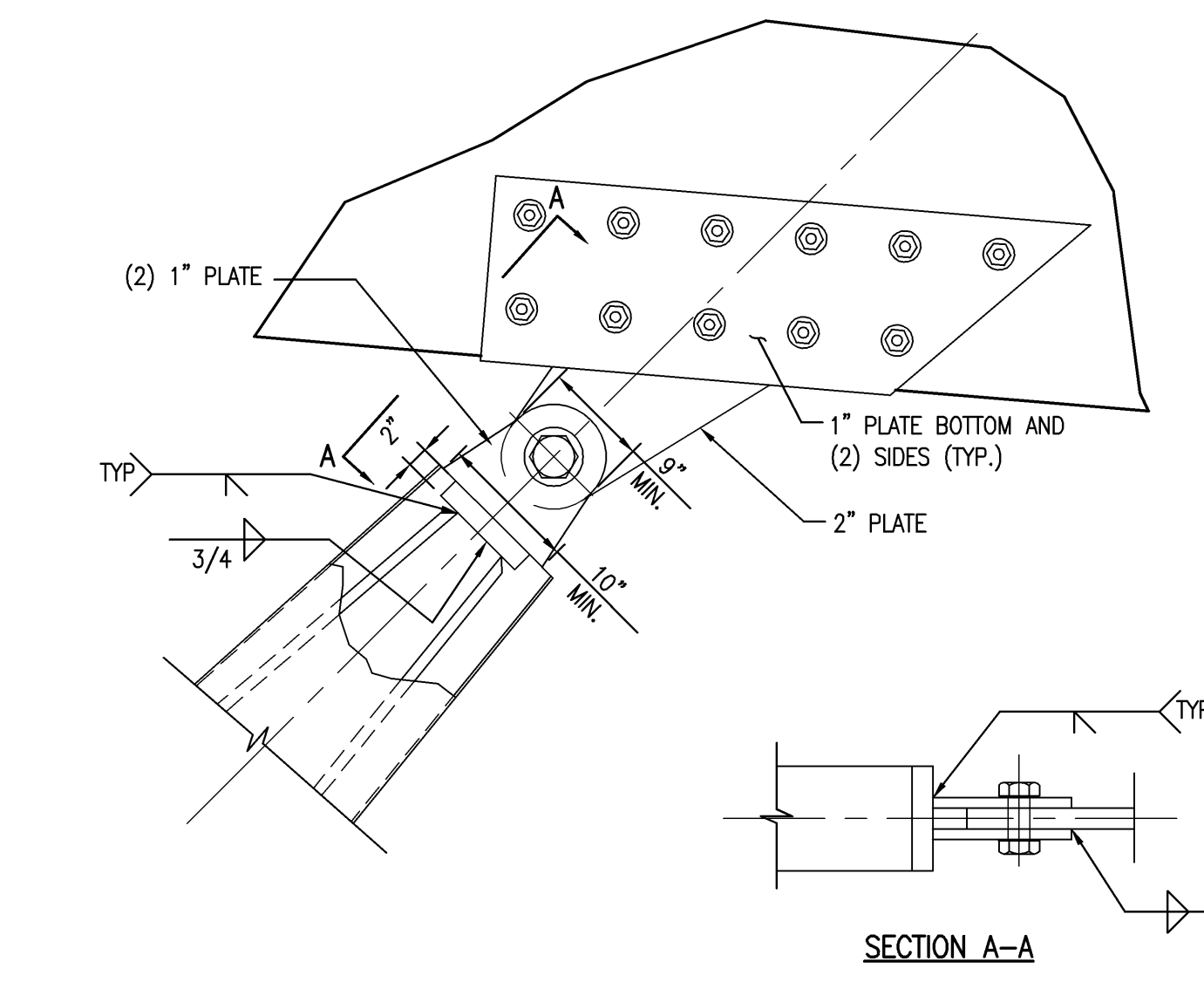
DETAIL 6
SCALE: 3/4" = 1'-0"
S12.51



DETAIL 3
SCALE: 3/4" = 1'-0"
S12.51



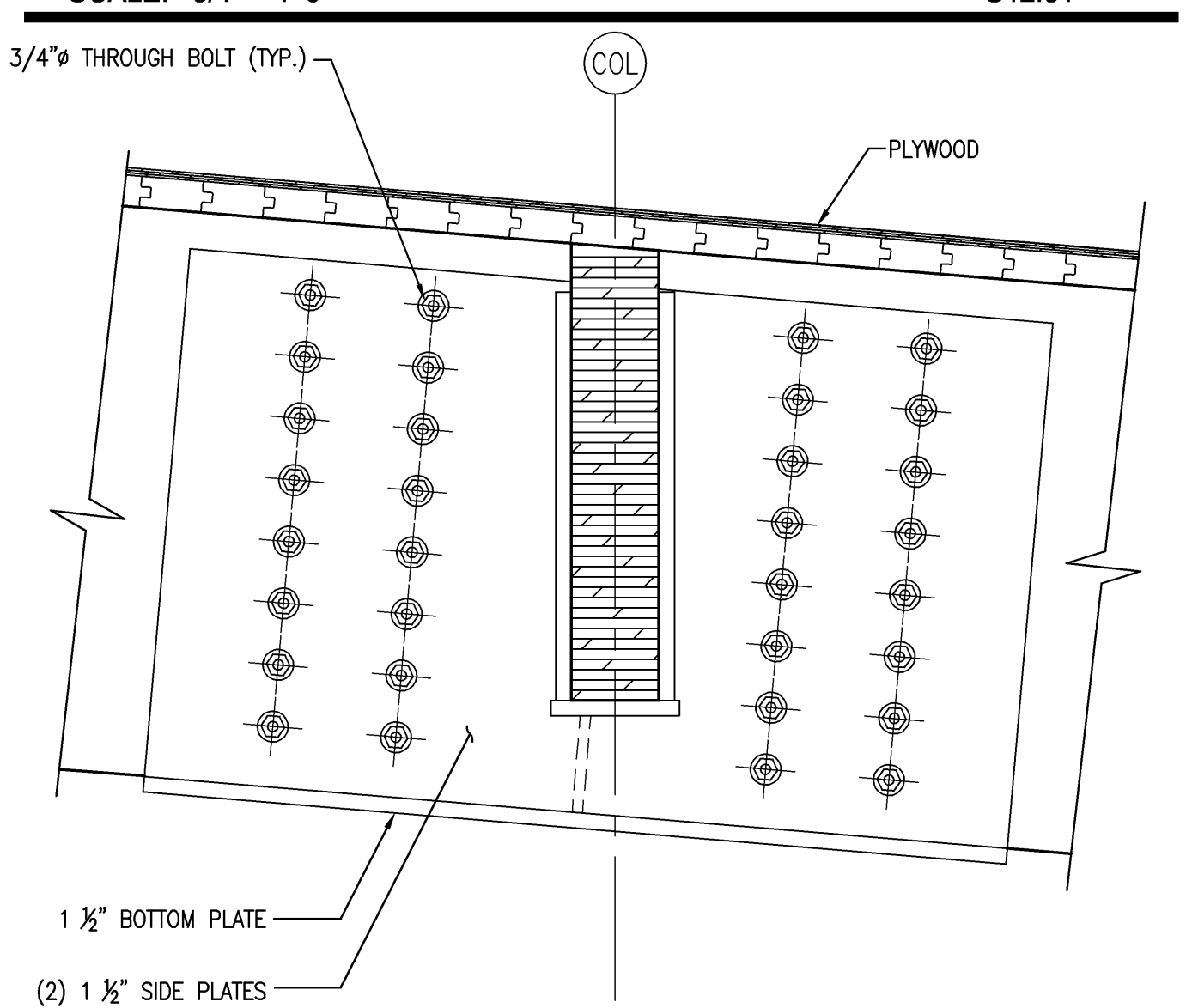
DETAIL 7
SCALE: 3/4" = 1'-0"
S12.51



DETAIL 4
SCALE: 3/4" = 1'-0"
S12.51

NOT USED

SECTION 8
SCALE: 3/4" = 1'-0"



DETAIL 5
SCALE: 3/4" = 1'-0"
S12.51

SHEET NOTES
ALL STEEL ON THIS SHEET IS TO BE AESS.
PROVIDE ADEQUATE CLEARANCE IN SEATED CONNECTION TO ALLOW GLUE LAM TO BEAR COMPLETELY ON BOTTOM PLATE. SHIM AS REQUIRED AT THRU BOLT.

Portland International Jetport
1001 Westbrook Street
Portland, Maine 04102

Gensler
2020 K Street, NW
Suite 200
Washington, DC 20006
Telephone 202.771.5200
Facsimile 202.872.8587

oest ASSOCIATES, INC.
343 Gopher Road, South Portland, ME 04106
P (207) 761-1770 F (207) 774-2544 www.oest.com
engineers • architects • surveyors • construction managers

Issue	Date & Issue Description	By	Check
-- 01	01/23/09	JDE	--
-- 02	10/26/09	JDE	--

Project Name
PWM Terminal Enhancement

Project Number
08.6395.000

CAD File Name
T:\5330101\SHEETS\S12.51.DWG

Description
FRAMING SECTIONS & DETAILS - ROOF

Scale
AS NOTED

S12.51
©2009 Gensler