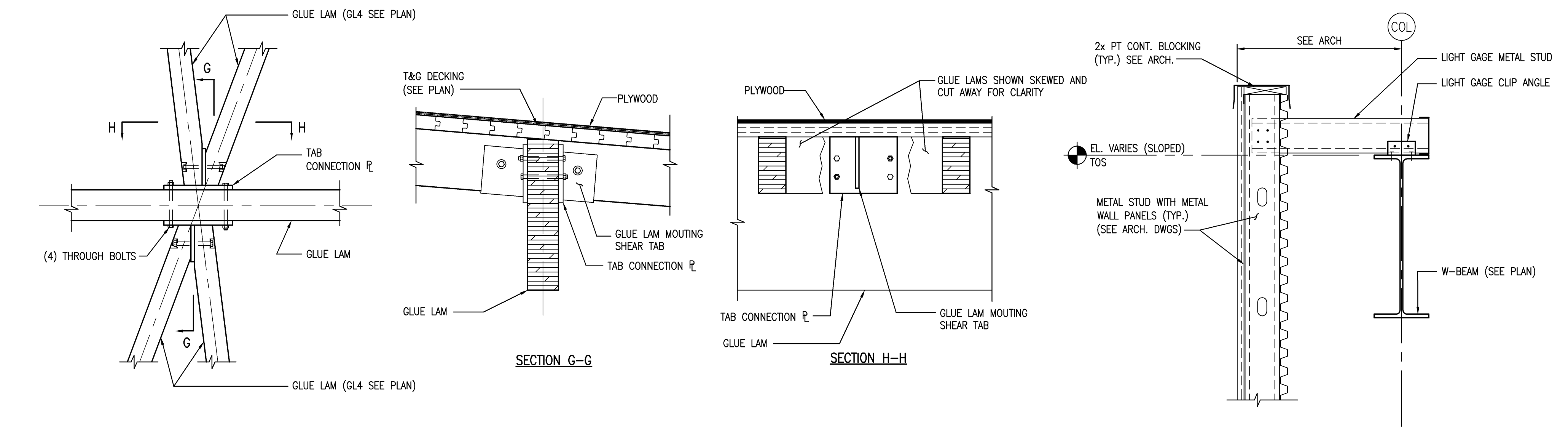
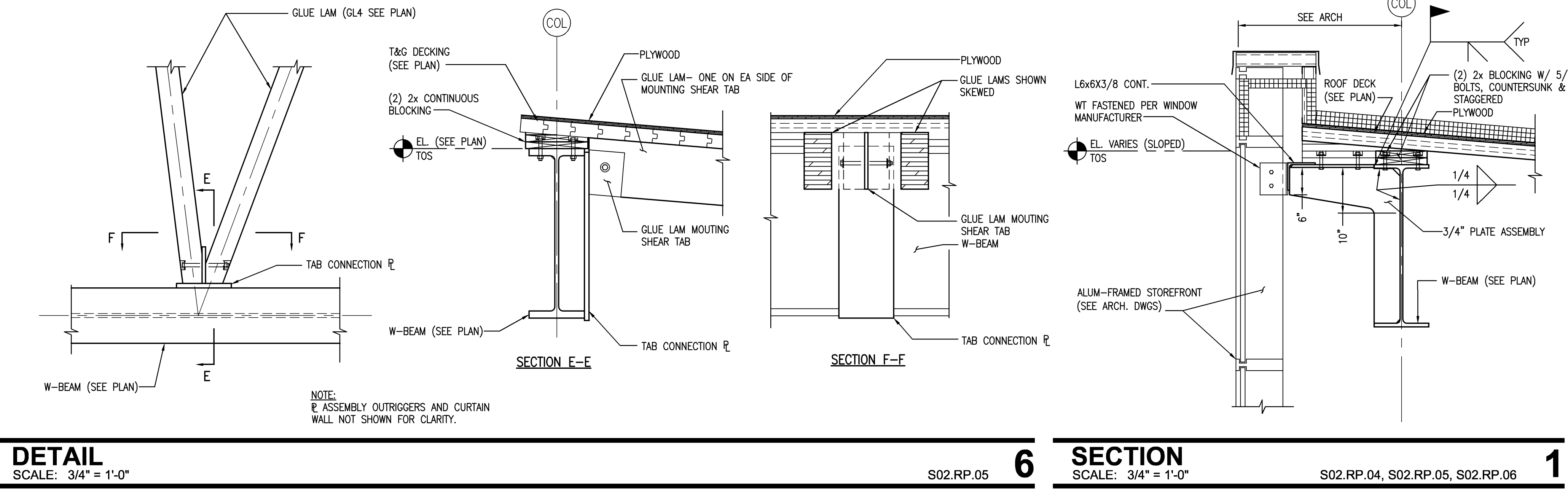
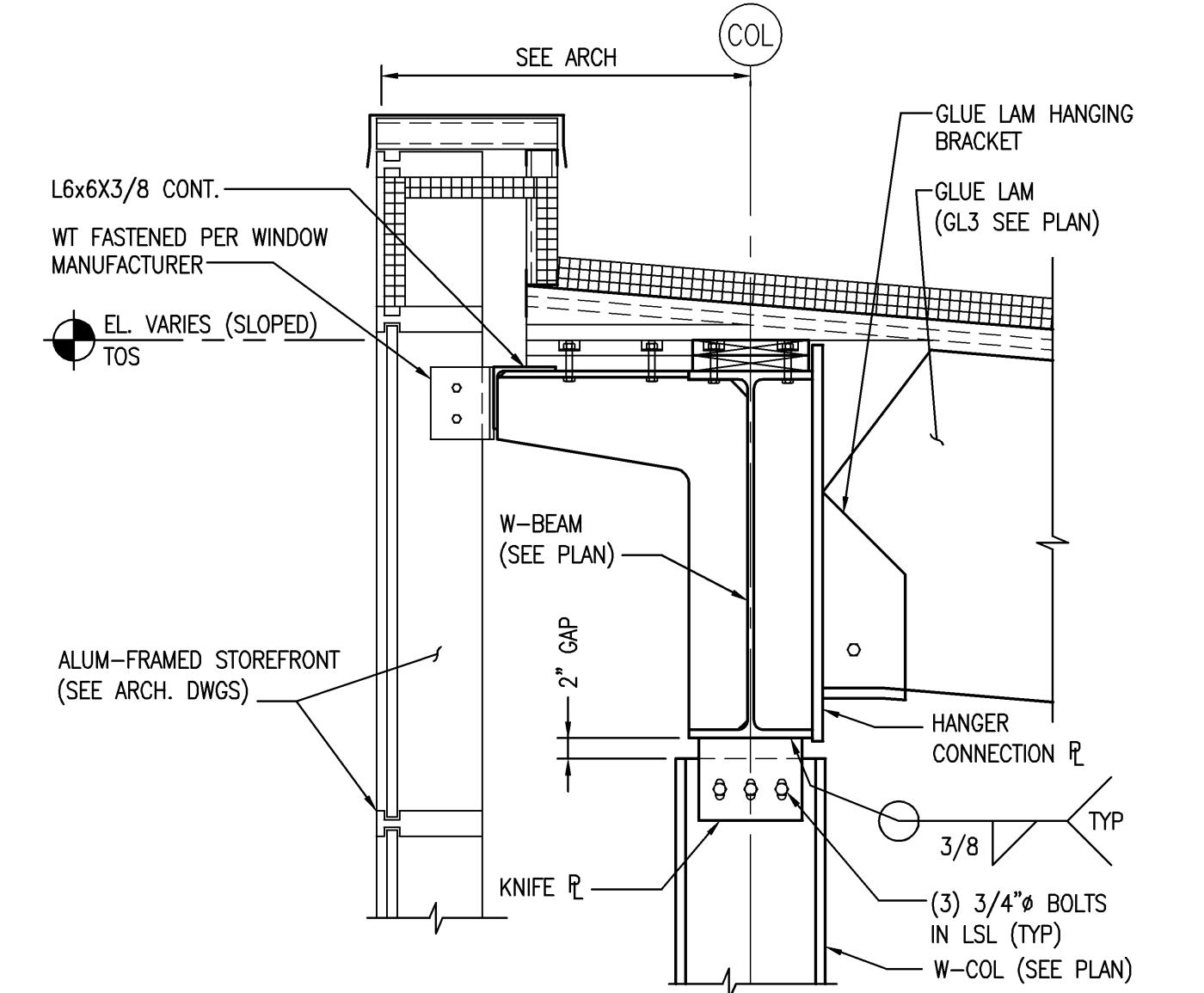


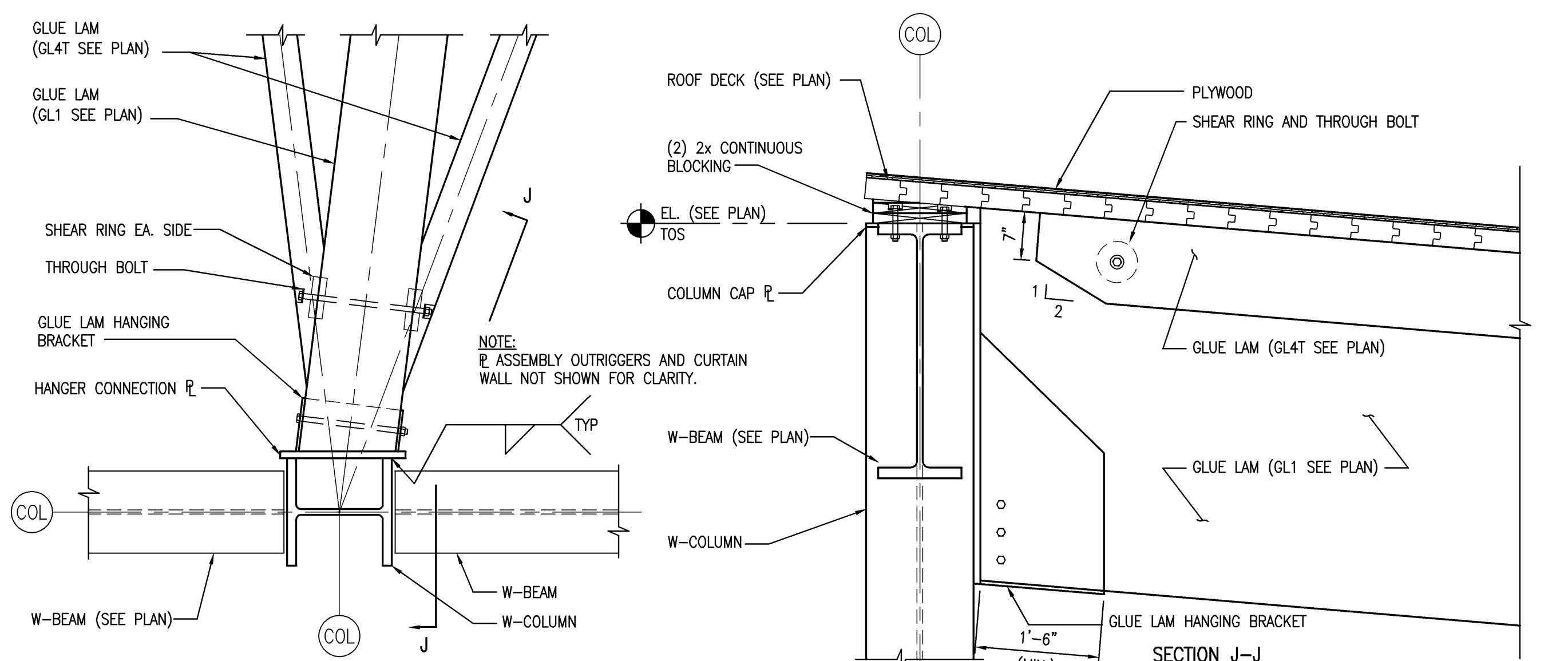
NOT USED



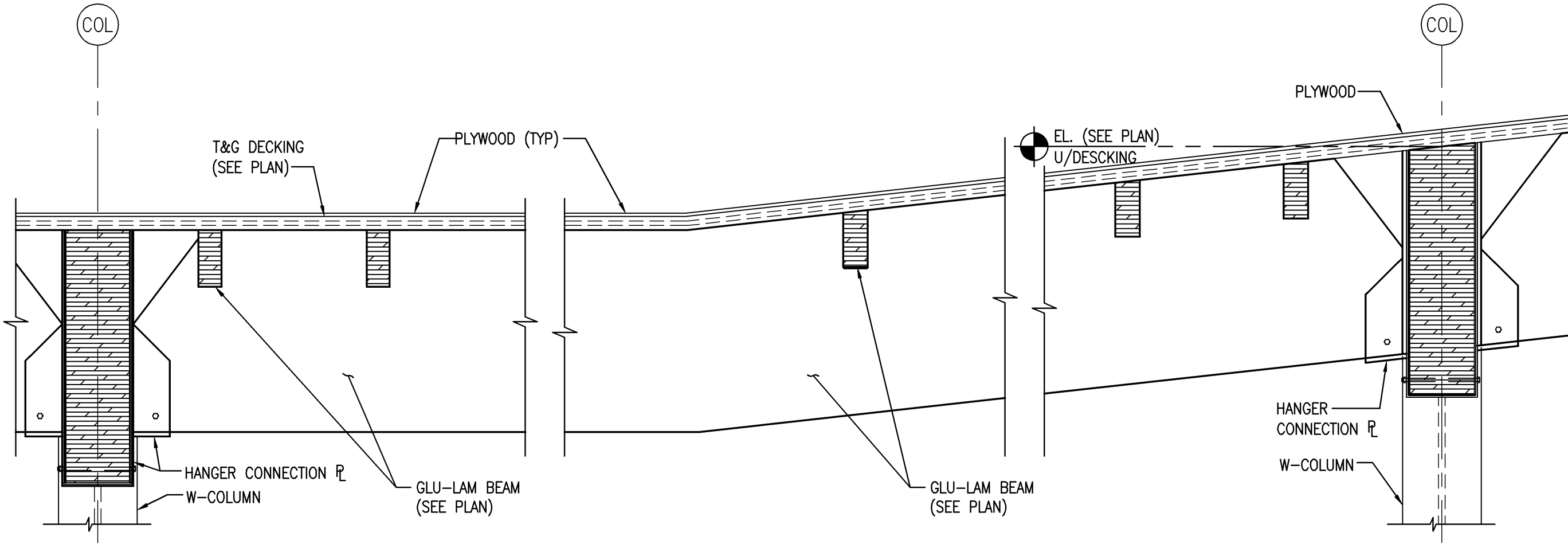
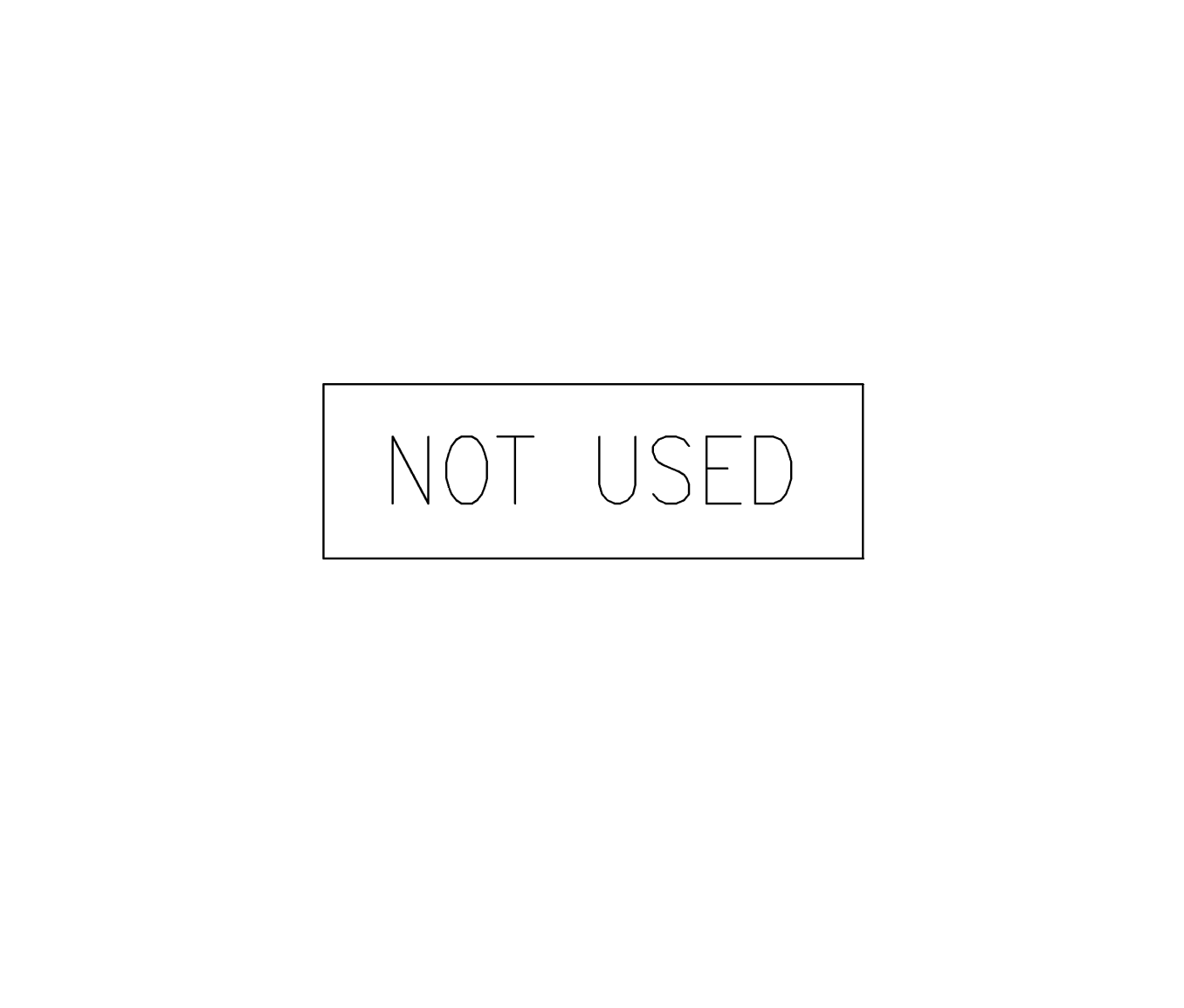
DETAIL 10
SCALE: 3/4" = 1'-0"



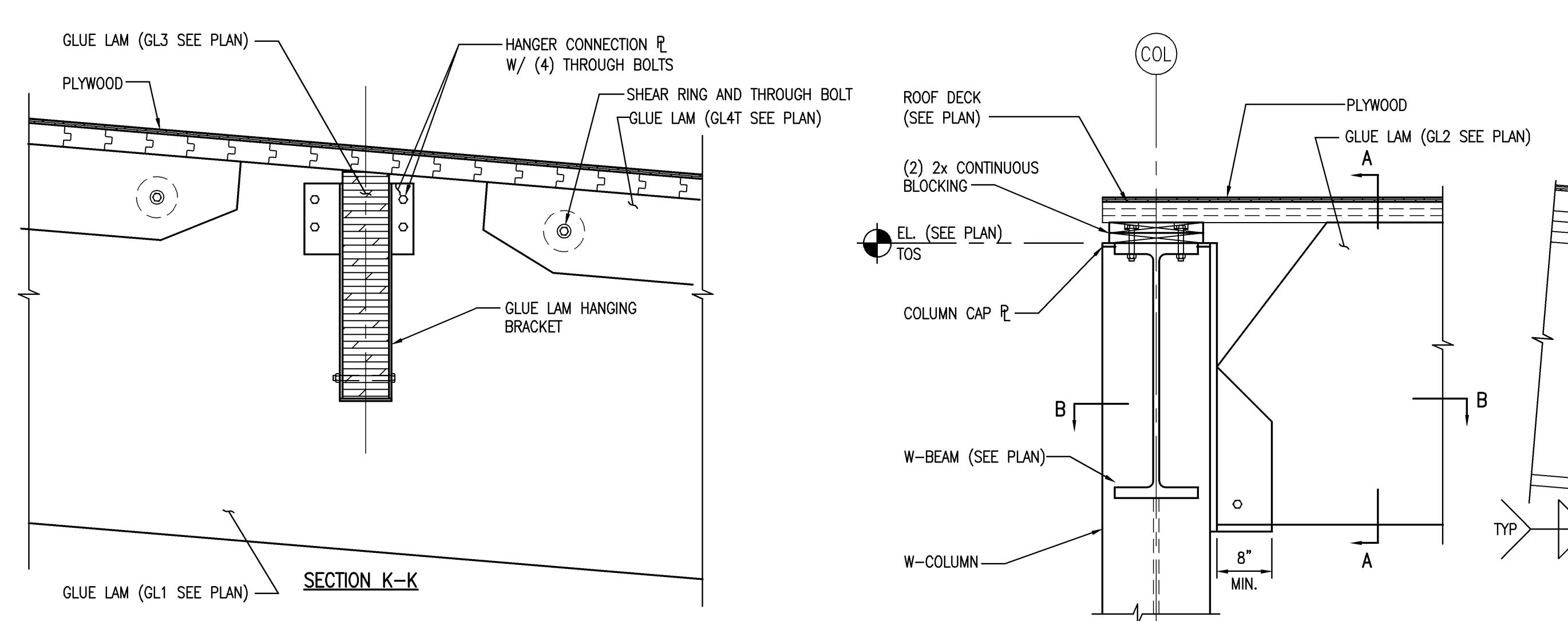
DETAIL 11
SCALE: 3/4" = 1'-0"



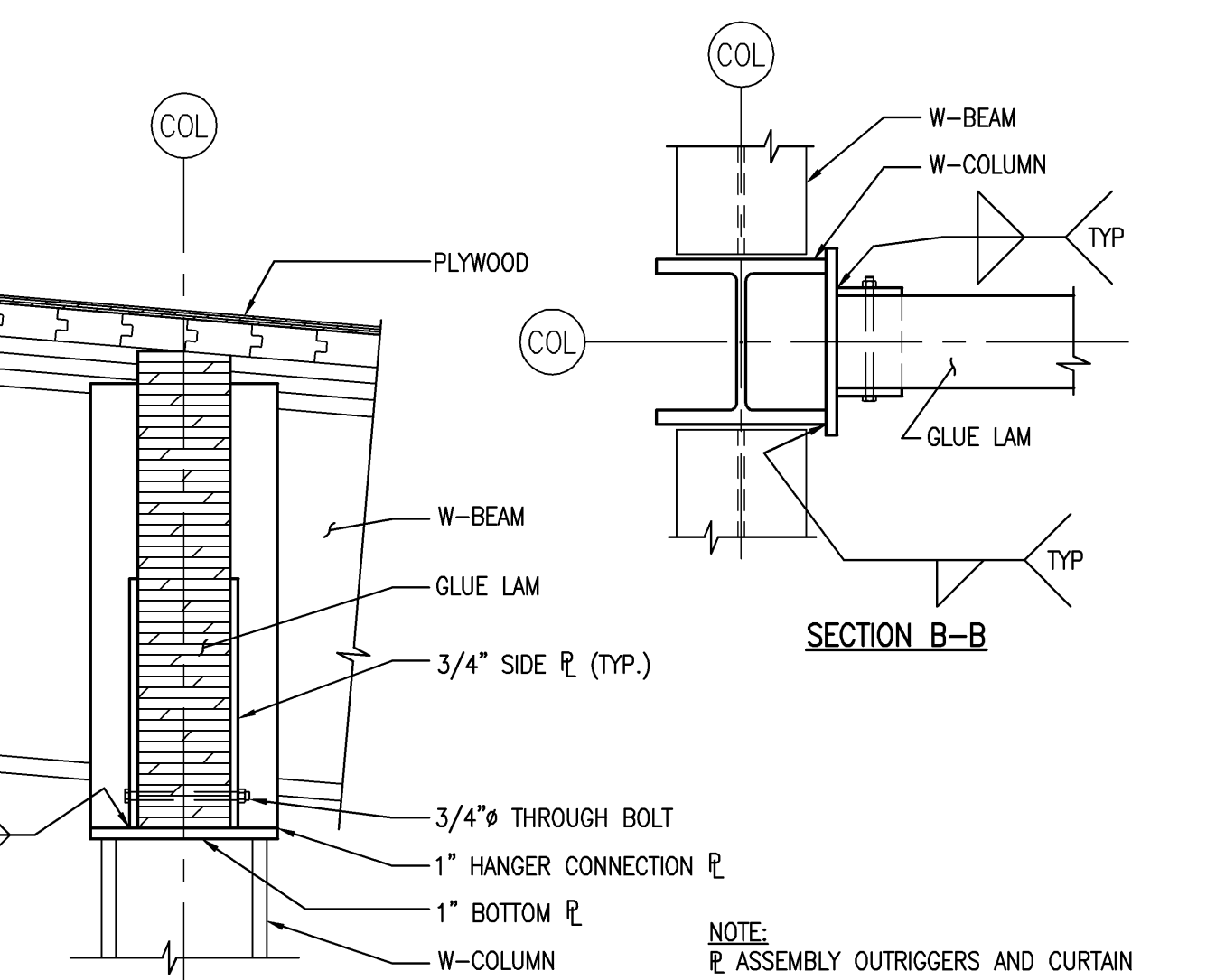
SECTION 13
SCALE: 3/4" = 1'-0"



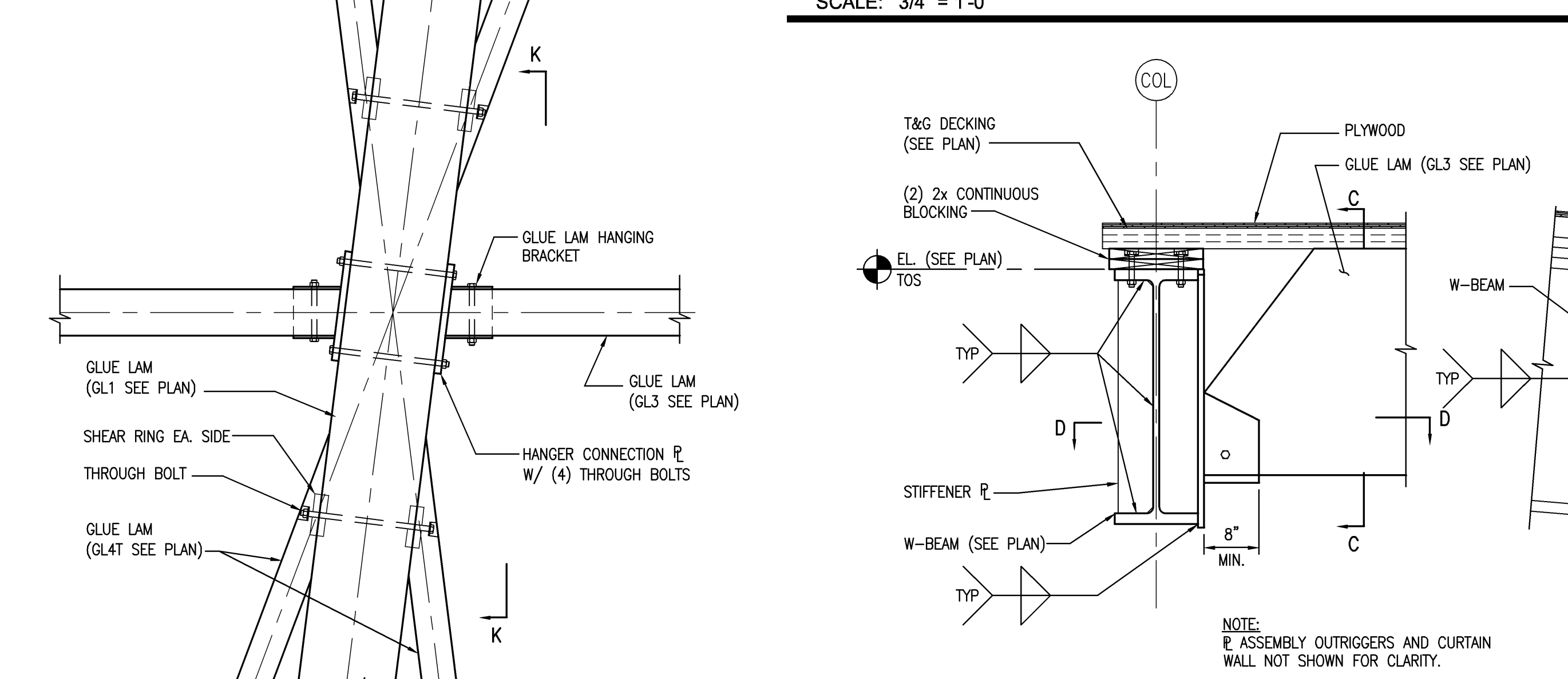
DETAIL 13
SCALE: 3/4" = 1'-0"



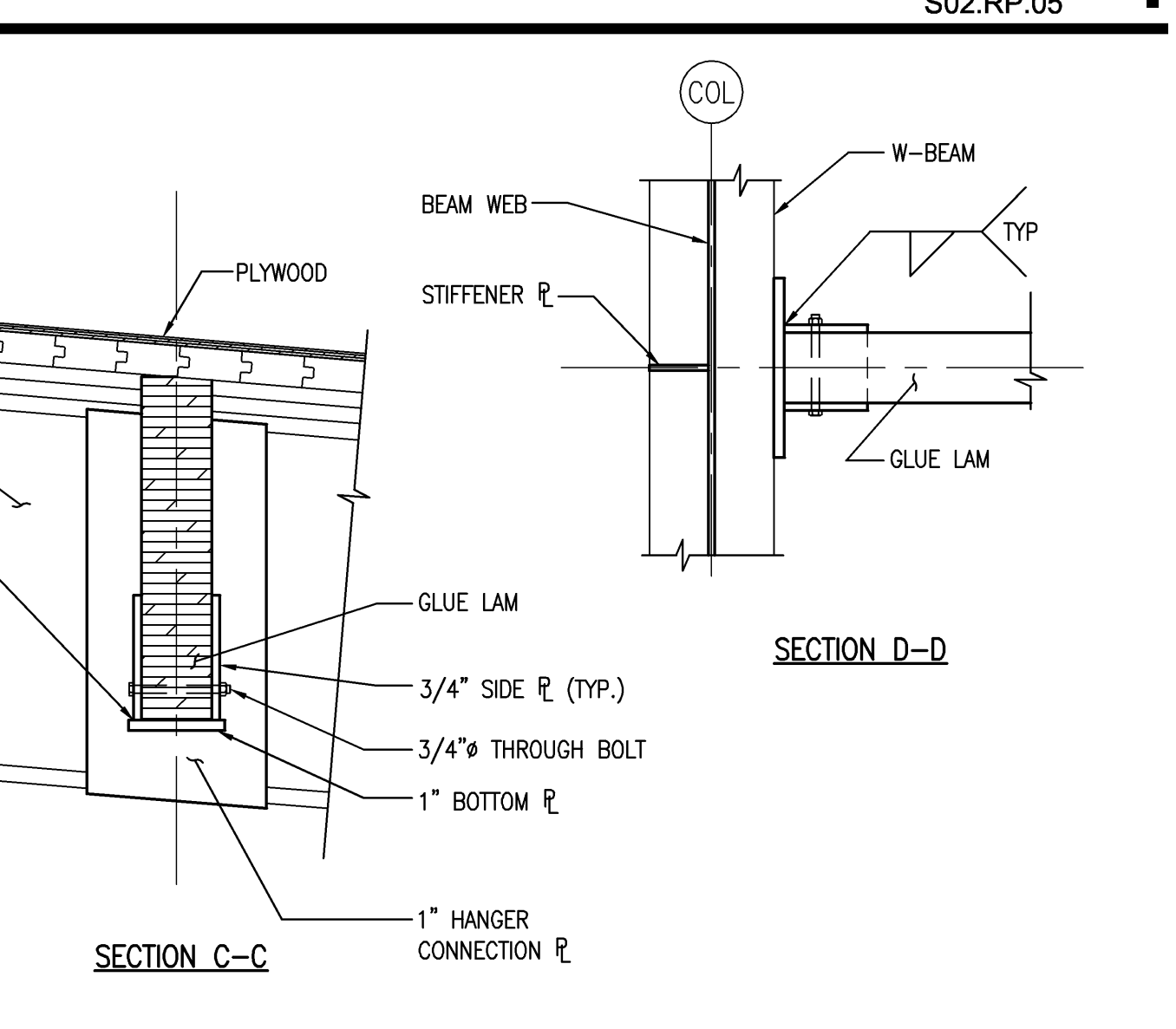
SECTION 17
SCALE: 3/4" = 1'-0"



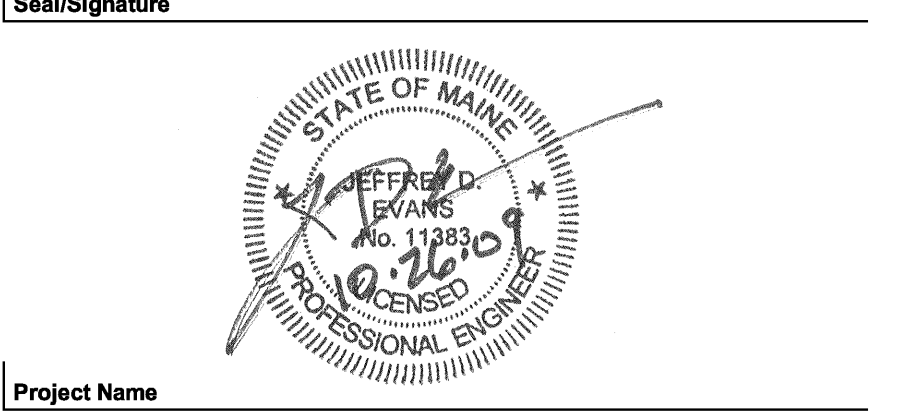
DETAIL 14
SCALE: 3/4" = 1'-0"



SECTION 20
SCALE: 3/4" = 1'-0"



Issue	Date	Issue Description	By	Check
01	09/22/08	DESIGN DEVELOPMENT	JDE	---
02	12/03/08	75% CONSTRUCTION DOCUMENTS	JDE	---
03	01/23/09	95% CONSTRUCTION DOCUMENTS	JDE	---
04	10/26/09	ISSUED FOR PERMIT	JDE	---



Project Name
PJM Terminal Enhancement

Project Number
08.6395.000

CAD File Name
T:\5330101\SHEETS\S12.50.DWG

Description
FRAMING SECTIONS & DETAILS - ROOF

Scale
AS NOTED

S12.50