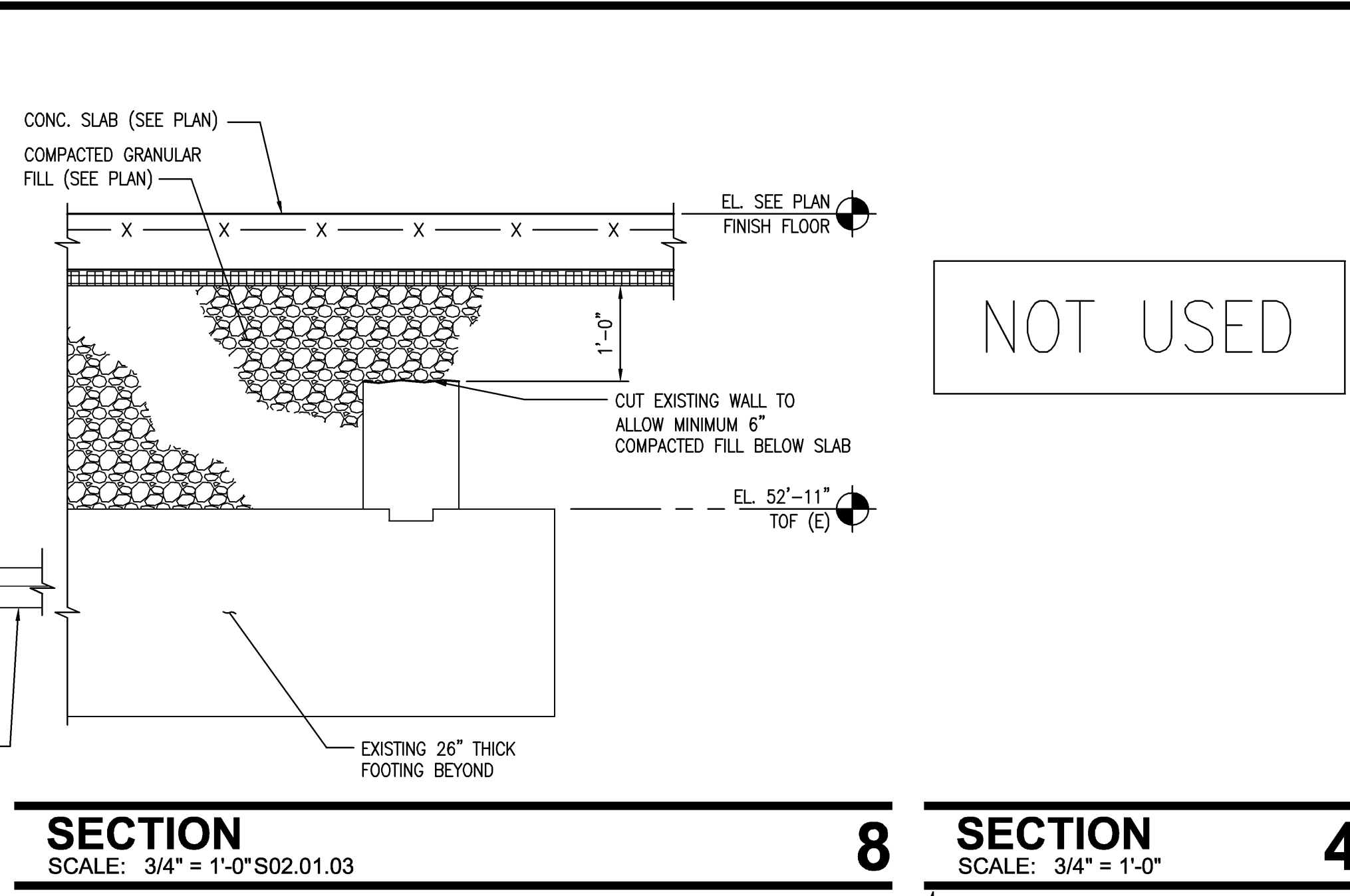


SECTION THROUGH STAIRS
SCALE: 3/4" = 1'-0"

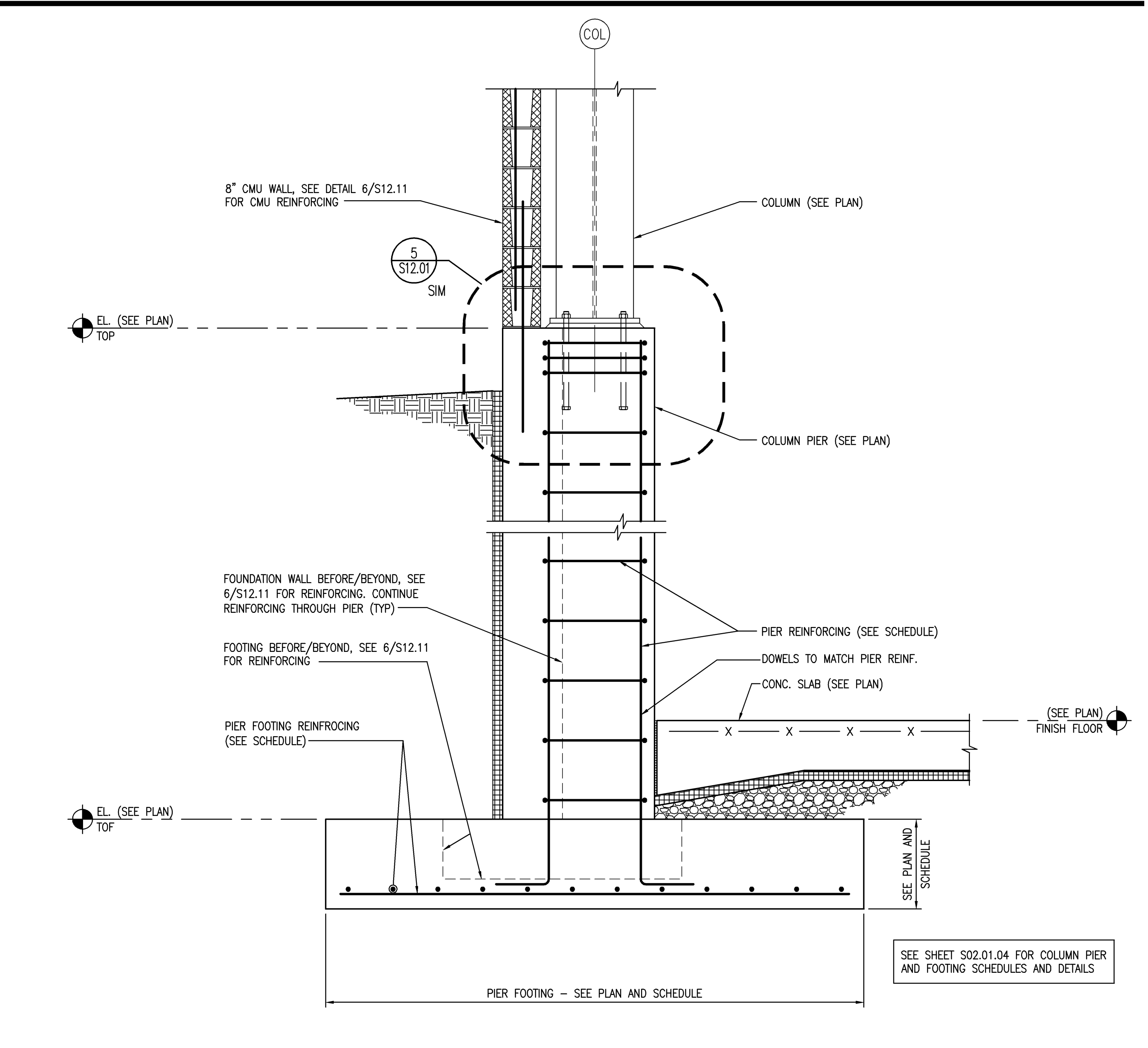
S02.01.04 **9**



SECTION
SCALE: 3/4" = 1'-0"

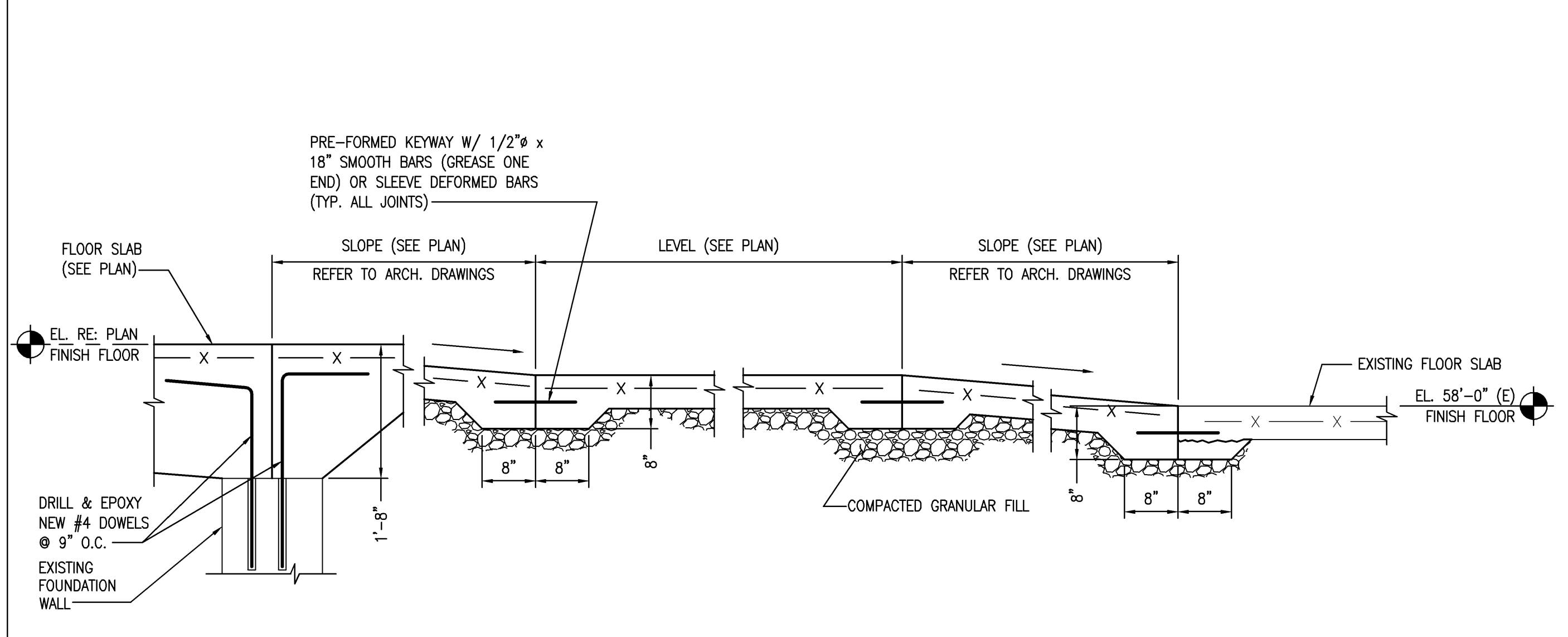
NOT USED

S02.01.03 **8**



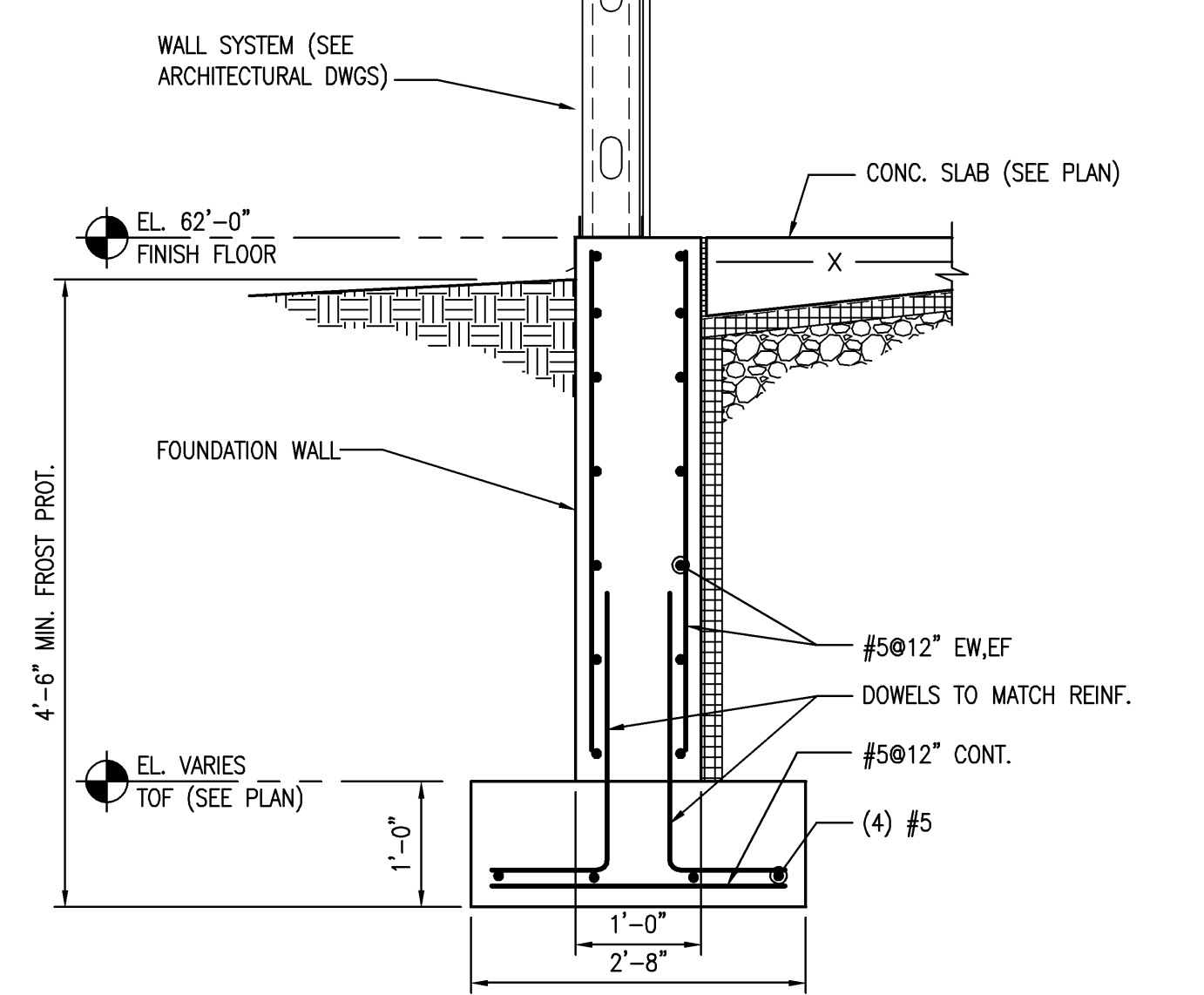
SECTION @ COLUMN PIER
SCALE: 3/4" = 1'-0"

S02.01.04, S02.01.05 **1**



SECTION THROUGH RAMP
SCALE: 3/4" = 1'-0"

S02.01.04 **10**

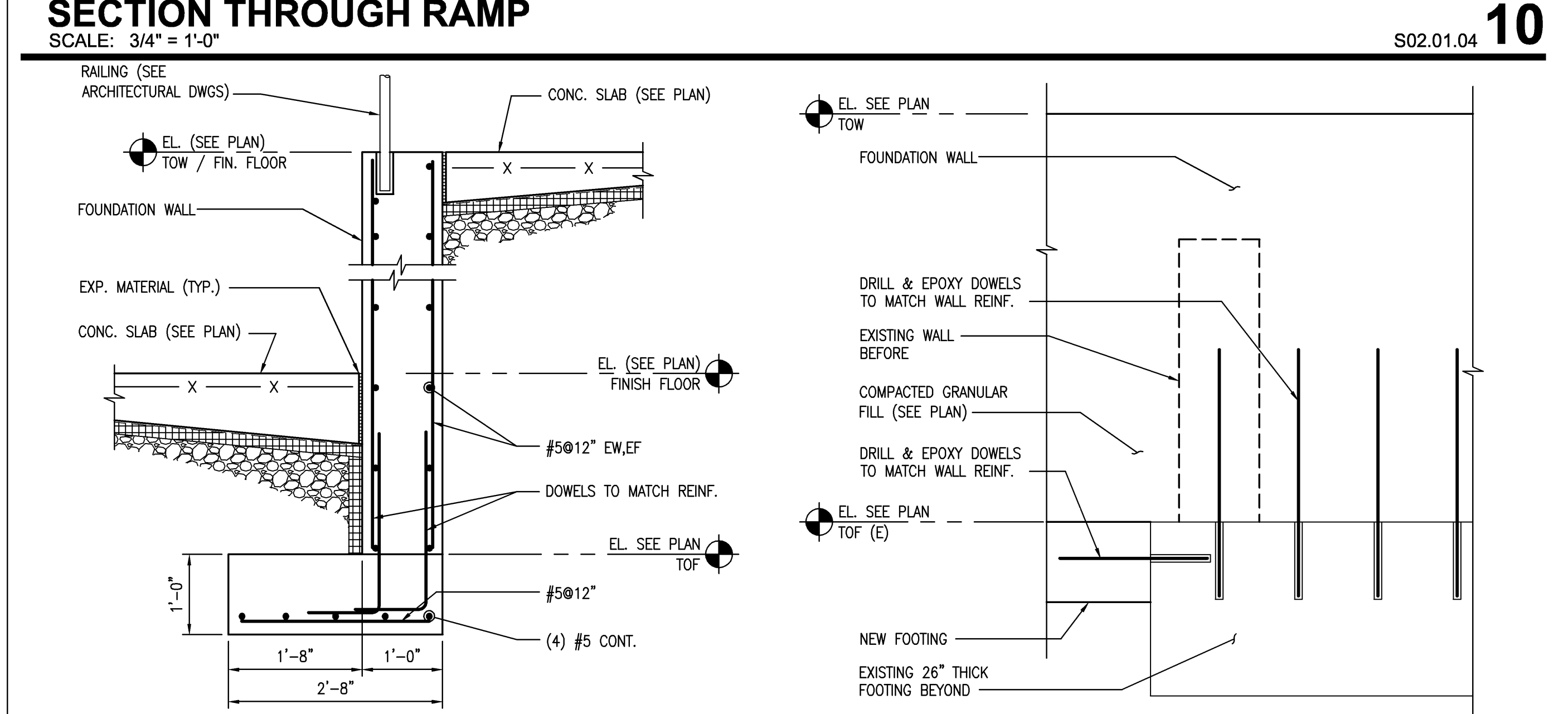


WALL SECTION
SCALE: 3/4" = 1'-0"

S02.01.05, S02.01.07 **5**

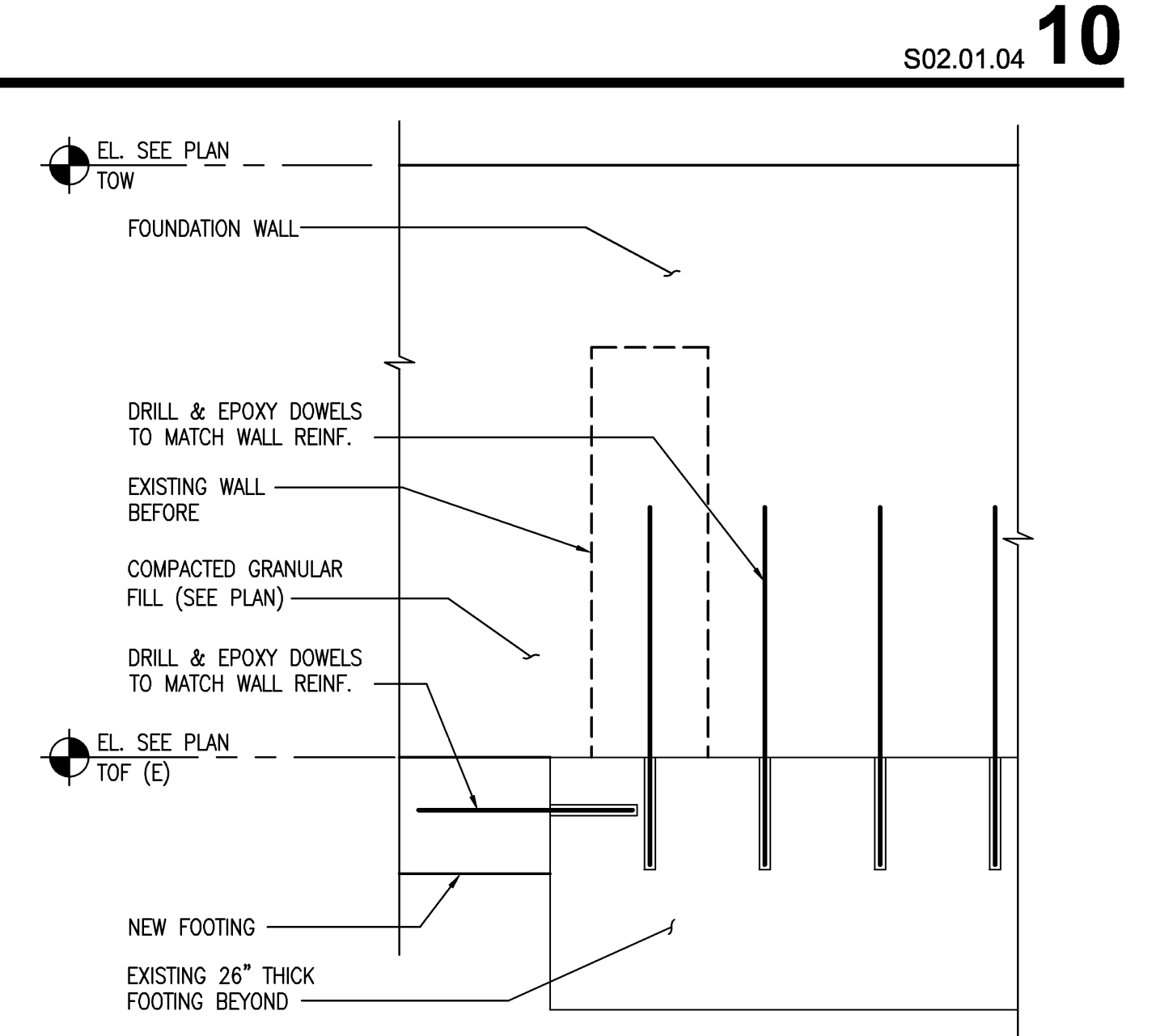
SECTION @ COLUMN PIER
SCALE: 3/4" = 1'-0"

S02.01.04, S02.01.05 **1**



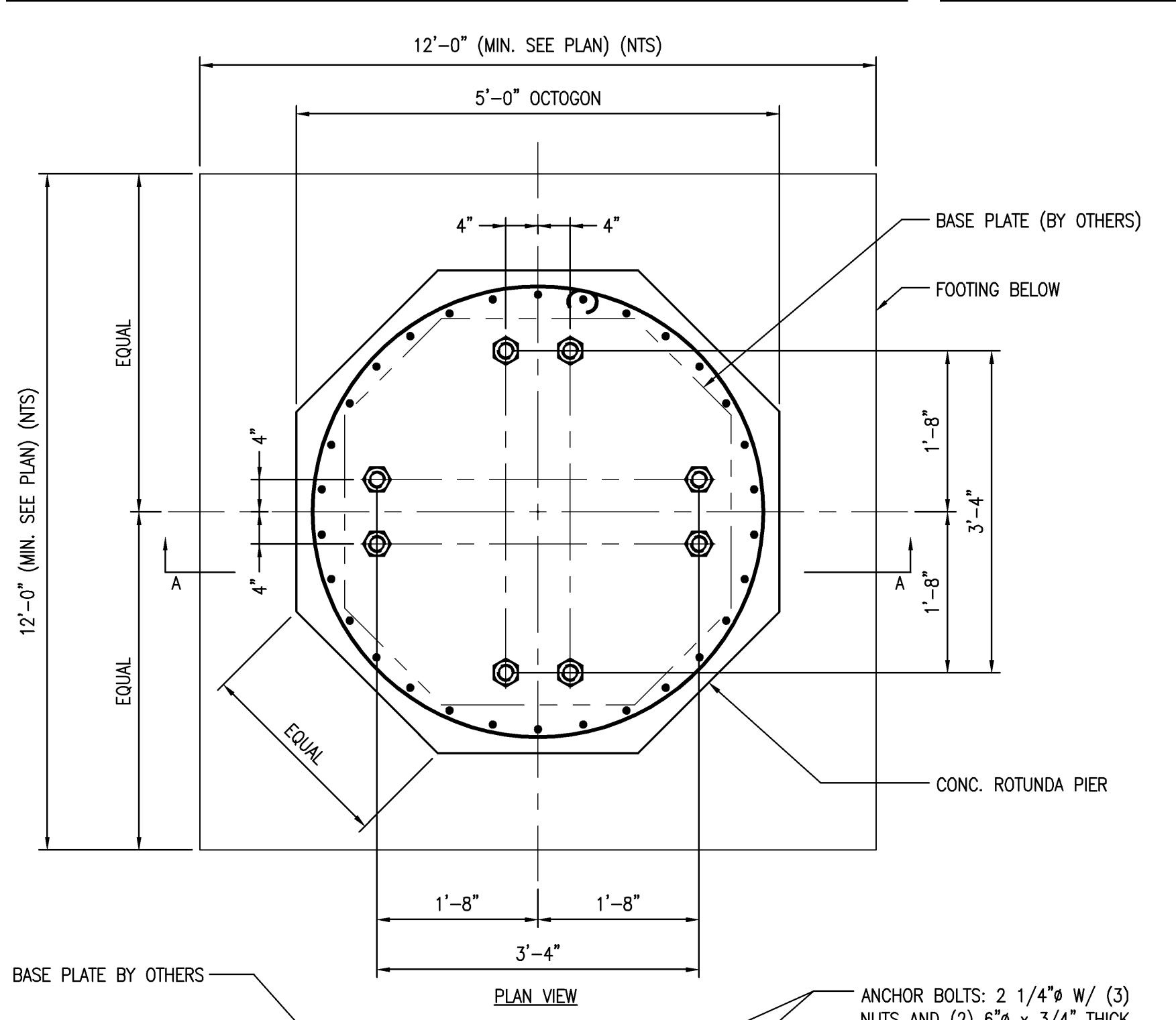
SECTION
SCALE: 3/4" = 1'-0"

S02.01.05 **14**



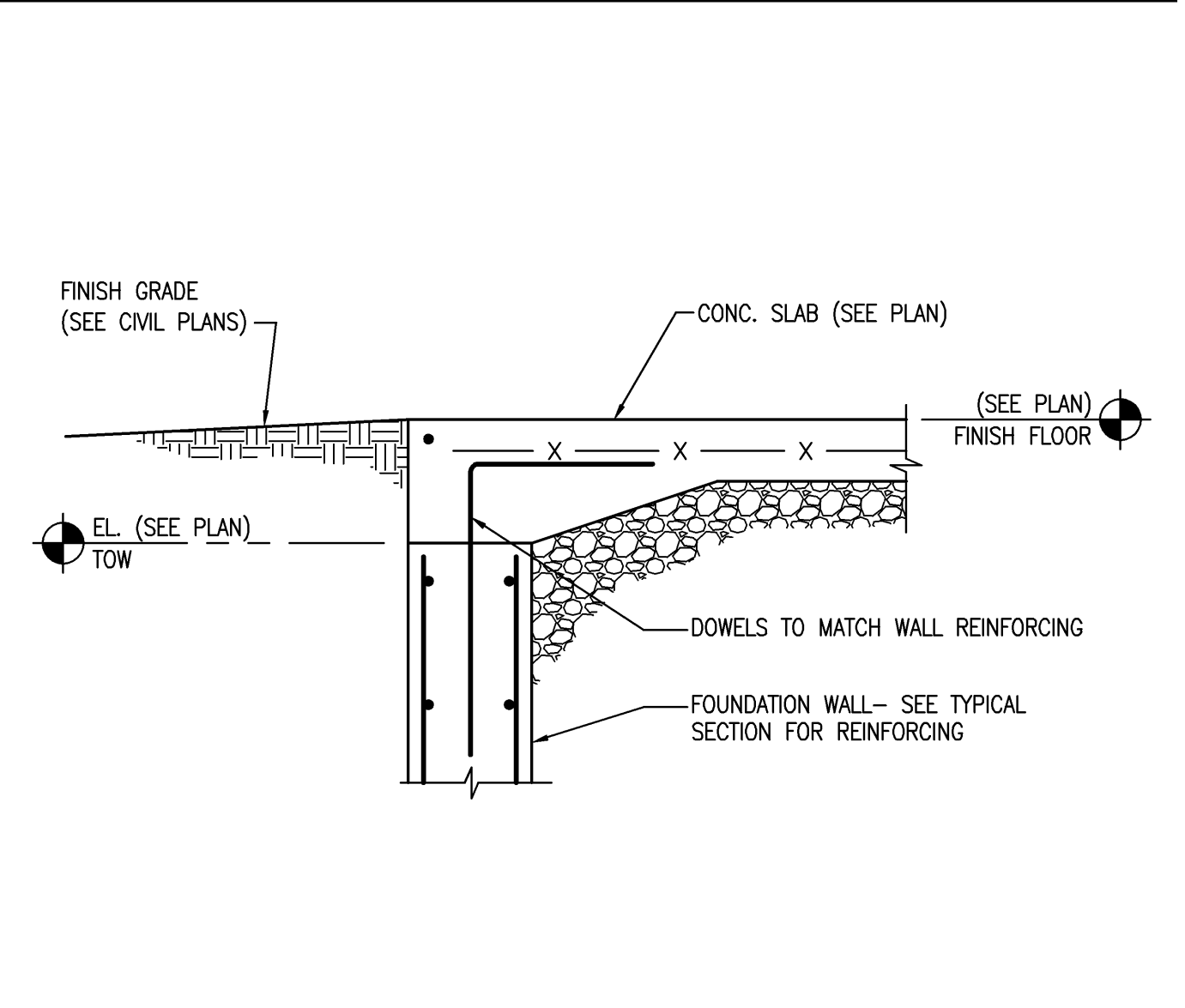
SECTION
SCALE: 3/4" = 1'-0"

S02.01.03 **11**



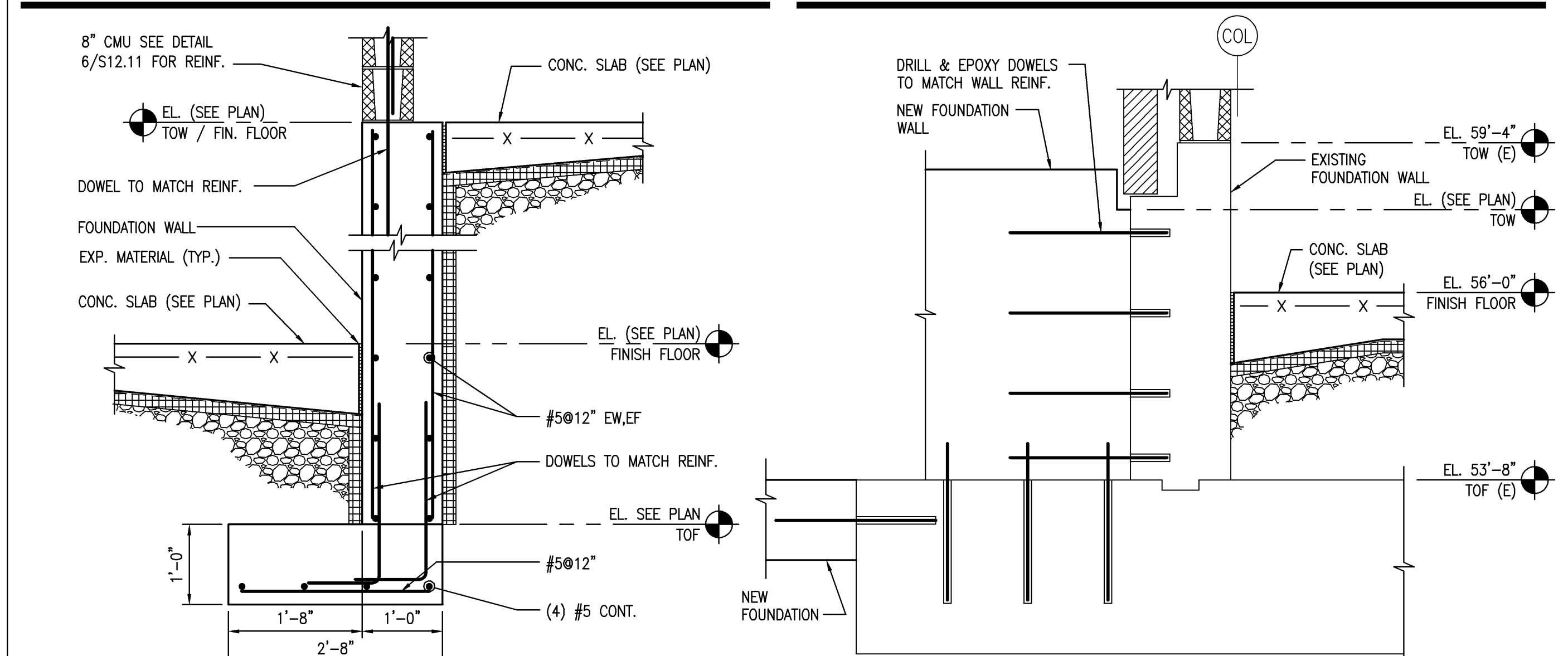
ROTUNDA COL. PIER DETAILS
SCALE: 3/4" = 1'-0"

S02.01.04, S02.01.05 **6**



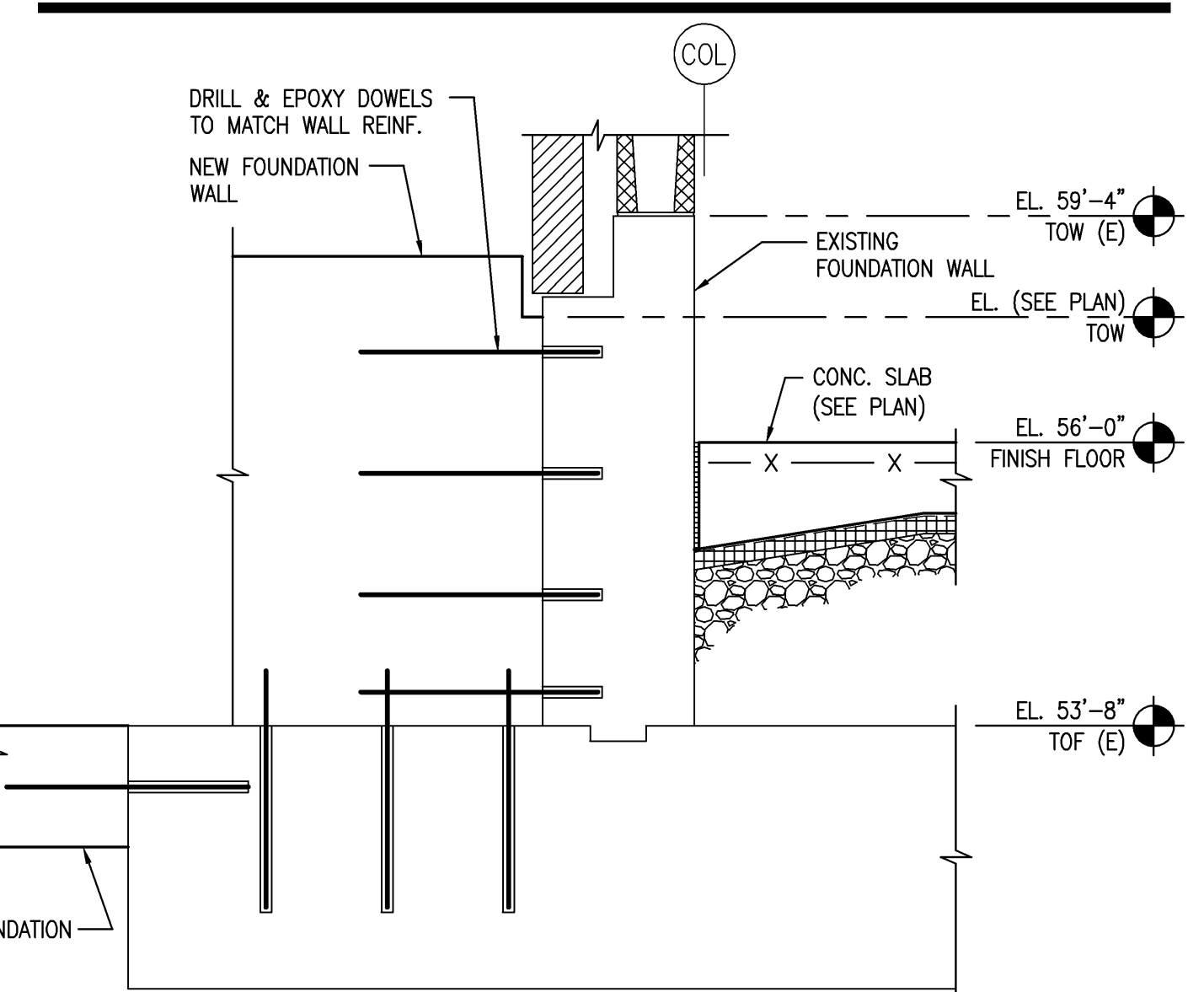
SECTION @ DOORWAY
SCALE: 3/4" = 1'-0"

S02.01.04, S02.01.05, S02.01.07 **2**



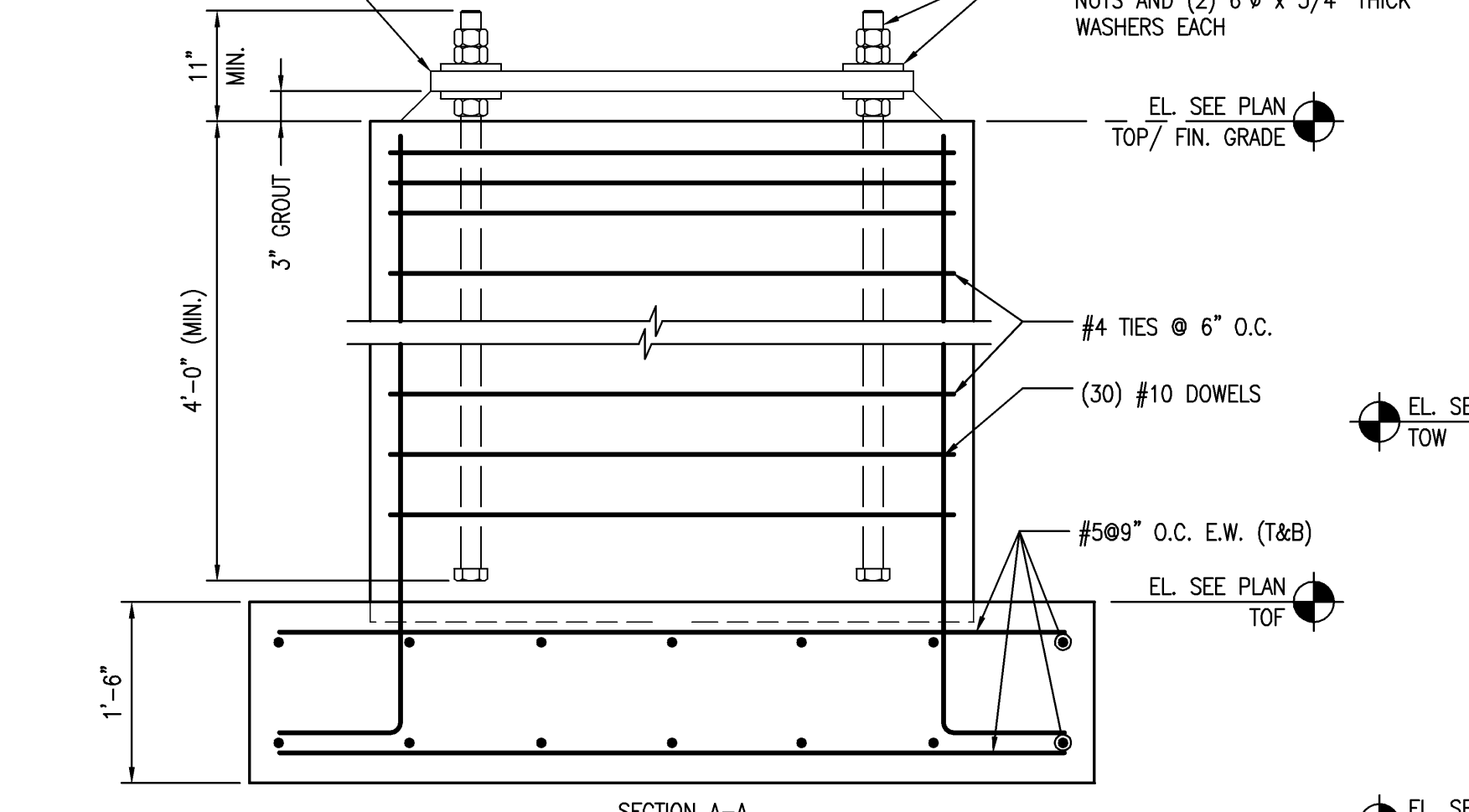
SECTION
SCALE: 3/4" = 1'-0"

S02.01.05 **15**



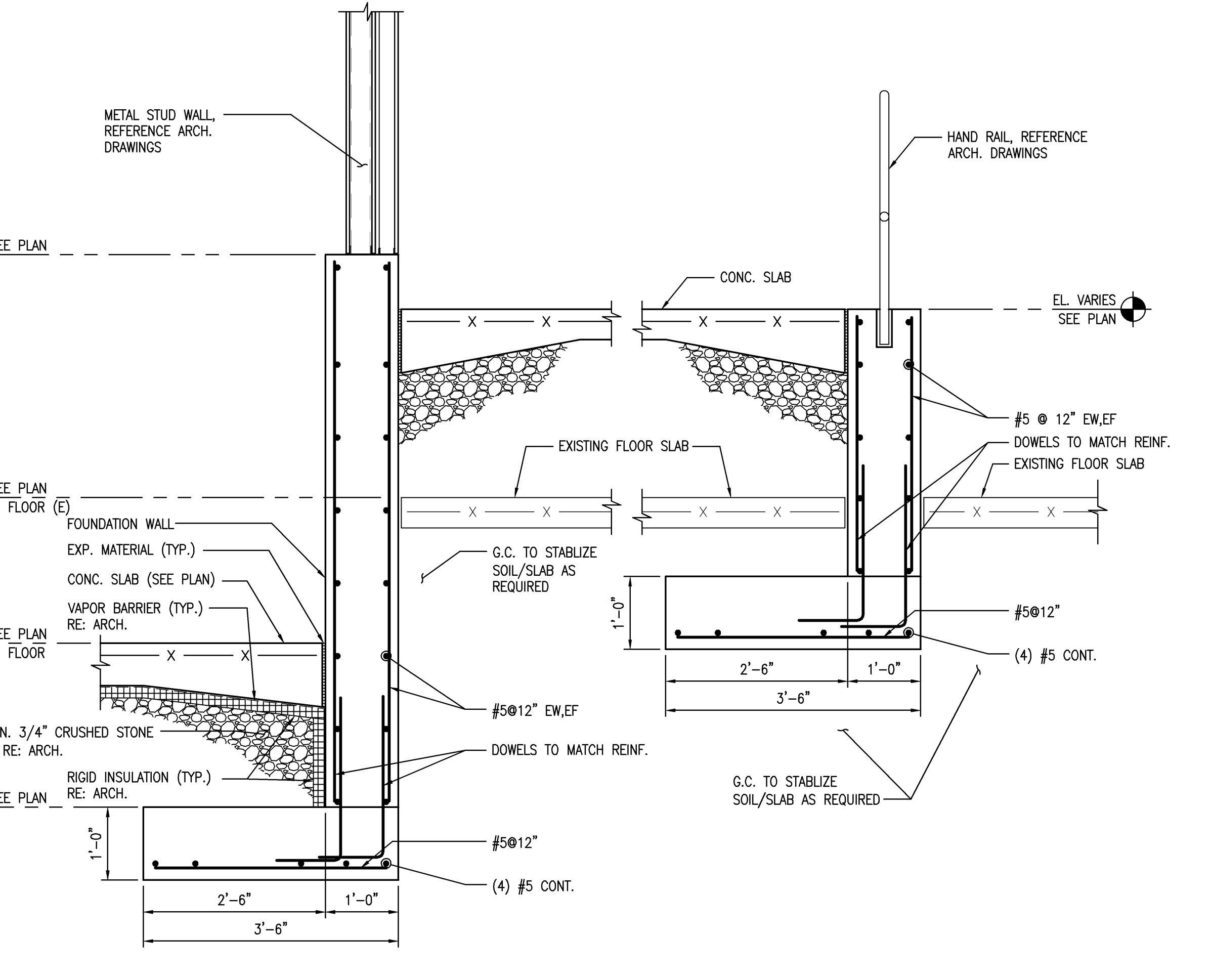
SECTION
SCALE: 3/4" = 1'-0"

S02.01.03 **12**



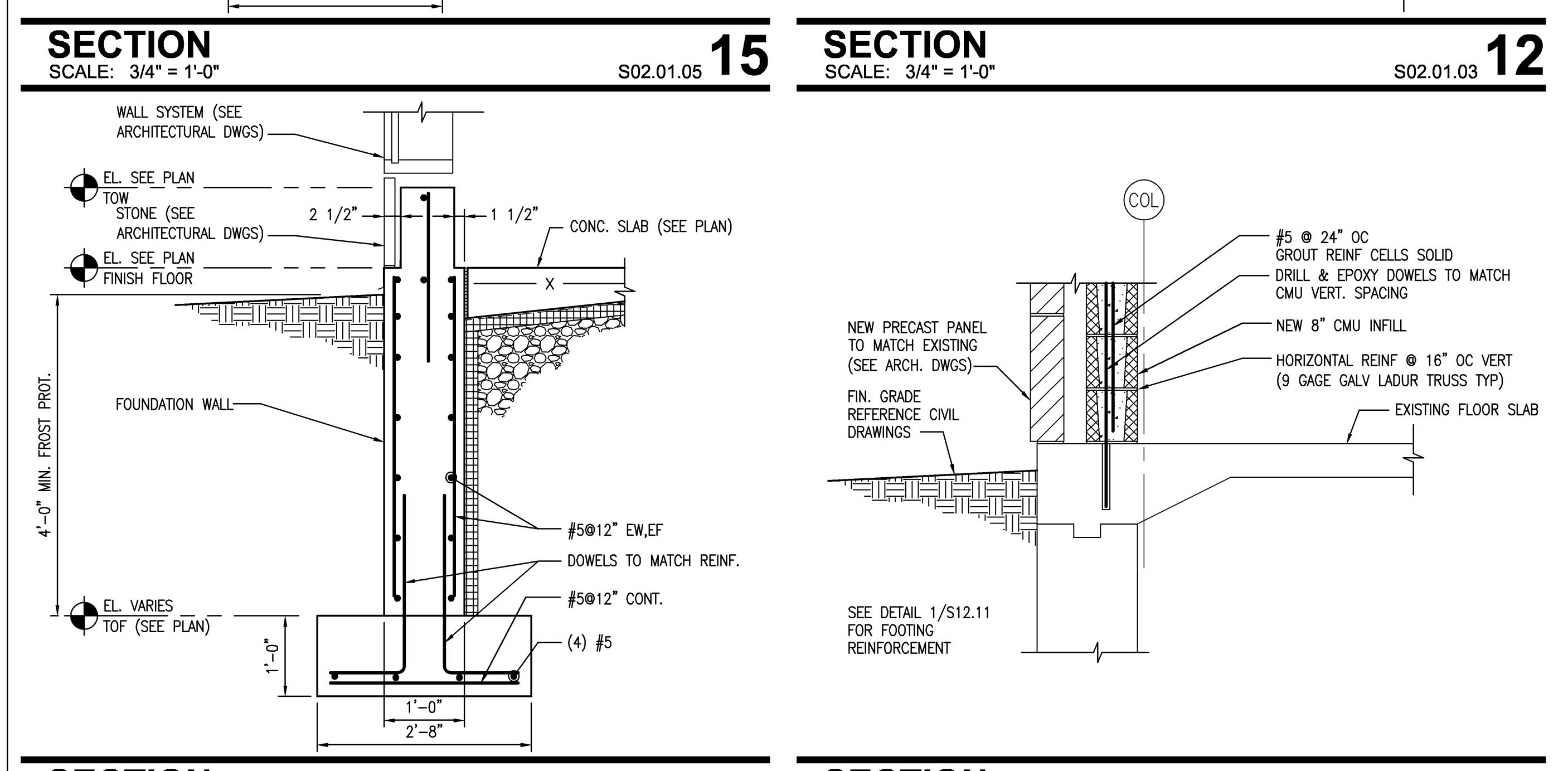
SECTION A-A
SCALE: 3/4" = 1'-0"

S02.01.04, S02.01.05 **6**



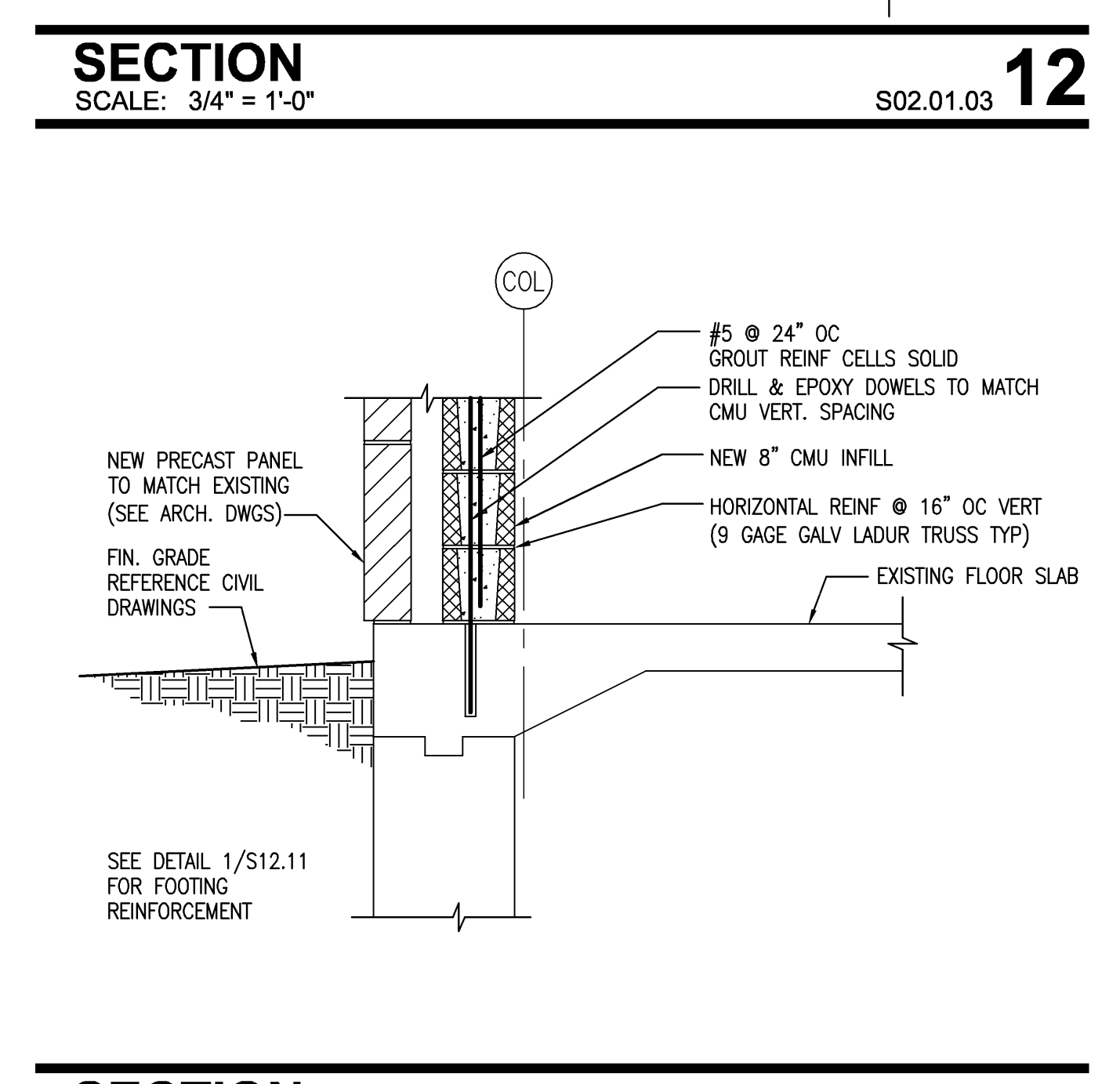
SECTION AT ZONE 4 RAMP
SCALE: 3/4" = 1'-0"

S02.01.04 **3**



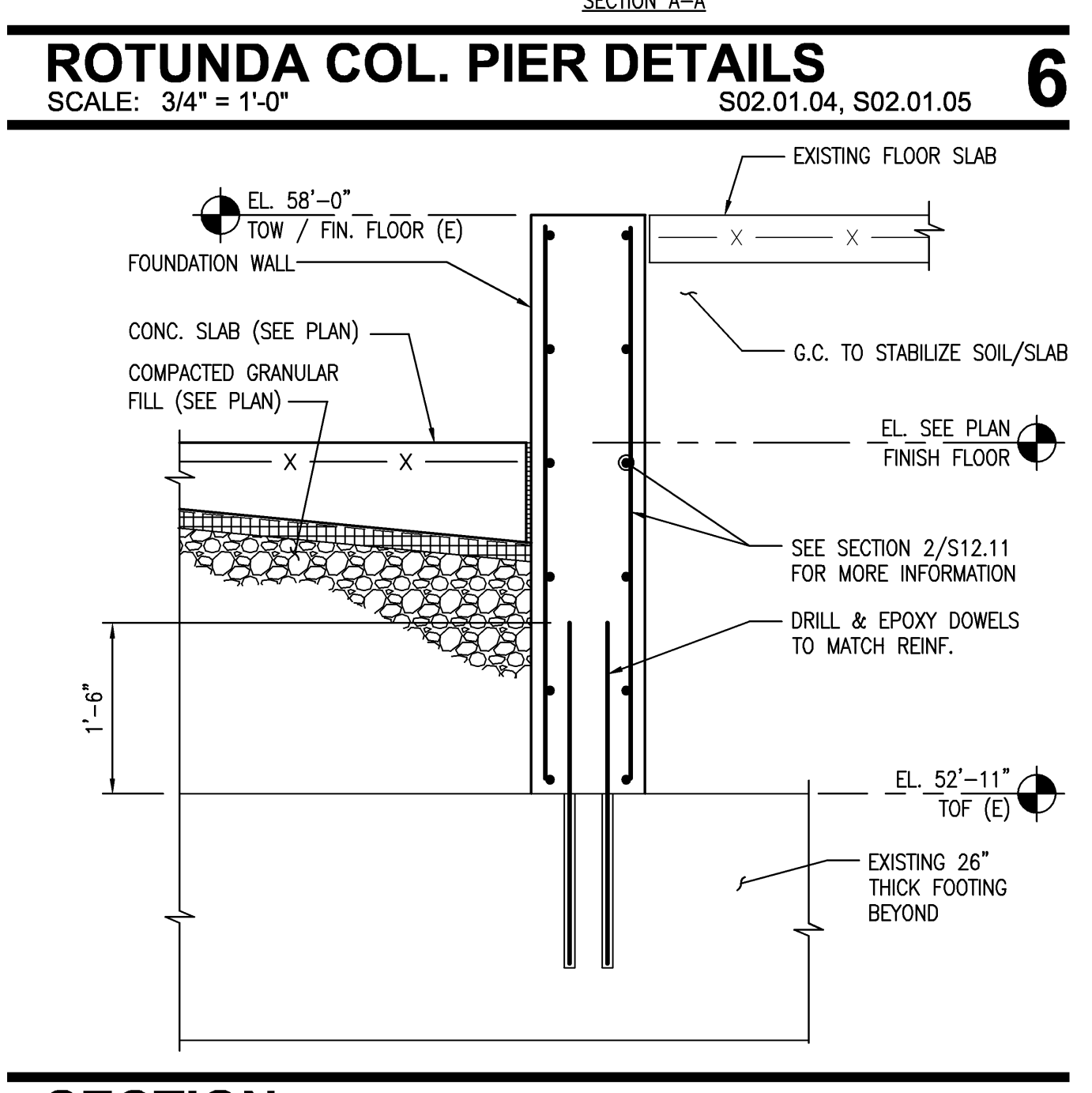
SECTION
SCALE: 3/4" = 1'-0"

S02.01.04, S02.01.05, S02.01.07 **16**



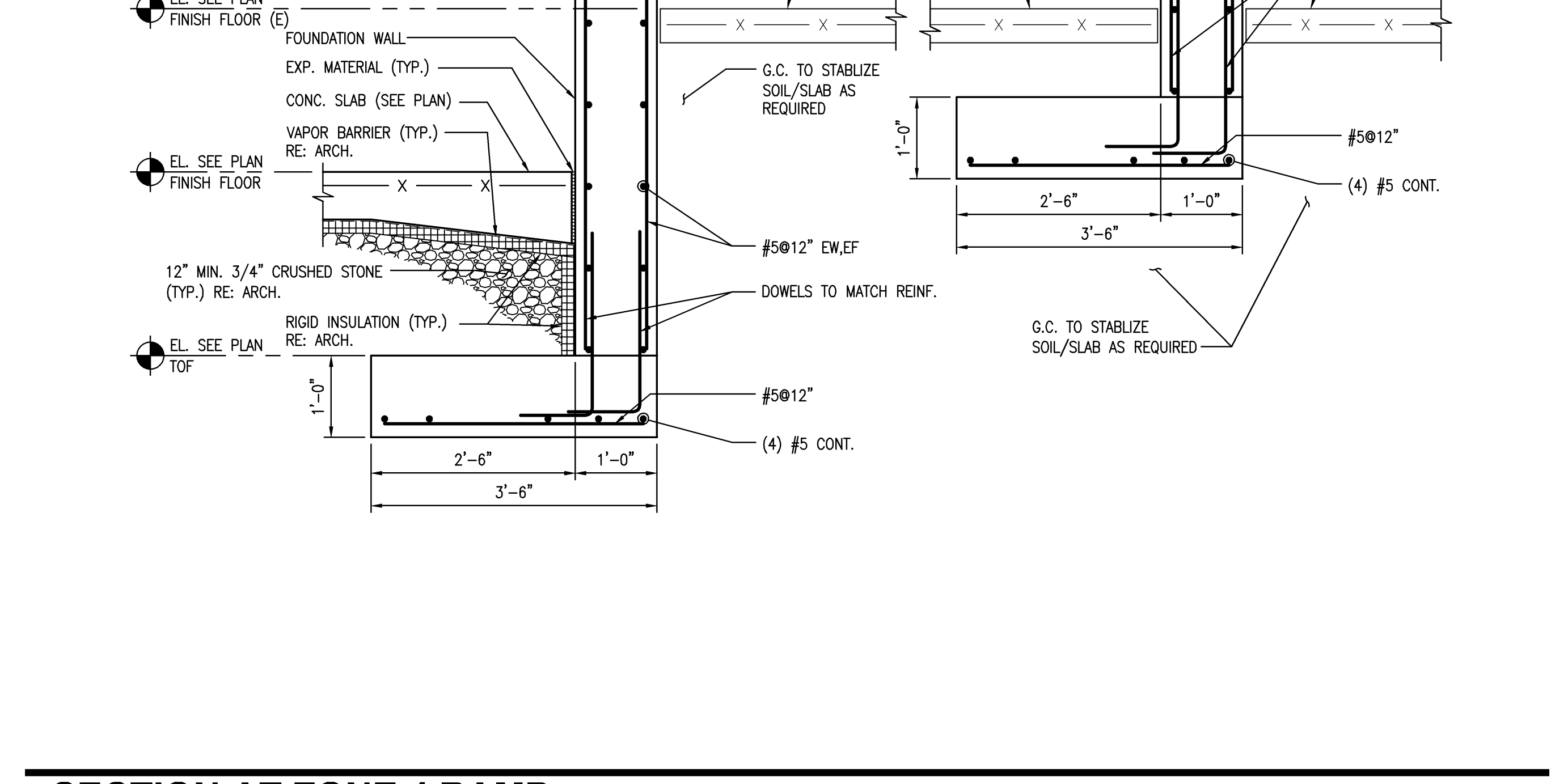
SECTION
SCALE: 3/4" = 1'-0"

S02.01.04 **13**



SECTION
SCALE: 3/4" = 1'-0"

S02.01.03 **7**



SECTION AT ZONE 4 RAMP
SCALE: 3/4" = 1'-0"

S02.01.04 **3**

SHEET NOTES
BLOCK COURSING SHOWN IS A GRAPHIC REPRESENTATION ONLY AND IS NOT INTENDED FOR CONSTRUCTION. REFERENCE ARCHITECTURAL DRAWINGS FOR COURSING ELEVATION.
REFERENCE ARCHITECTURAL DRAWINGS FOR ALL INSULATING AND WATERPROOFING REQUIREMENTS.
REFERENCE S02.01.00 FOR ALL UNDERSLAB DRAINAGE REQUIREMENTS.
REFERENCE SHEETS S12.01 & S12.02 FOR TYPICAL FOUNDATION AND CONCRETE REINFORCING STANDARDS.

Portland International Jetport
1001 Westbrook Street
Portland, Maine 04102

Gensler
2020 K Street, NW
Suite 200
Washington, DC 20006
Telephone 202.771.5200
Facsimile 202.872.8587

oest ASSOCIATES, INC.
343 Gophers Road, South Portland, ME 04106
P (207) 761-7770 F (207) 774-2444 www.oest.com
engineers • architects • surveyors • construction managers

Issue	Date & Issue Description	By	Check
01	09/22/08	JDE	
02	12/03/08	JDE	
03	01/23/09	JDE	
04	10/26/09	JDE	

Project Name
PJM Terminal Enhancement

Project Number
09.8395.000
CAD File Name
T:\5330101\SHEETS\S12.12.DWG

Description
FOUNDATION SECTIONS & DETAILS

Scale
AS NOTED

S12.12

©2009 Gensler