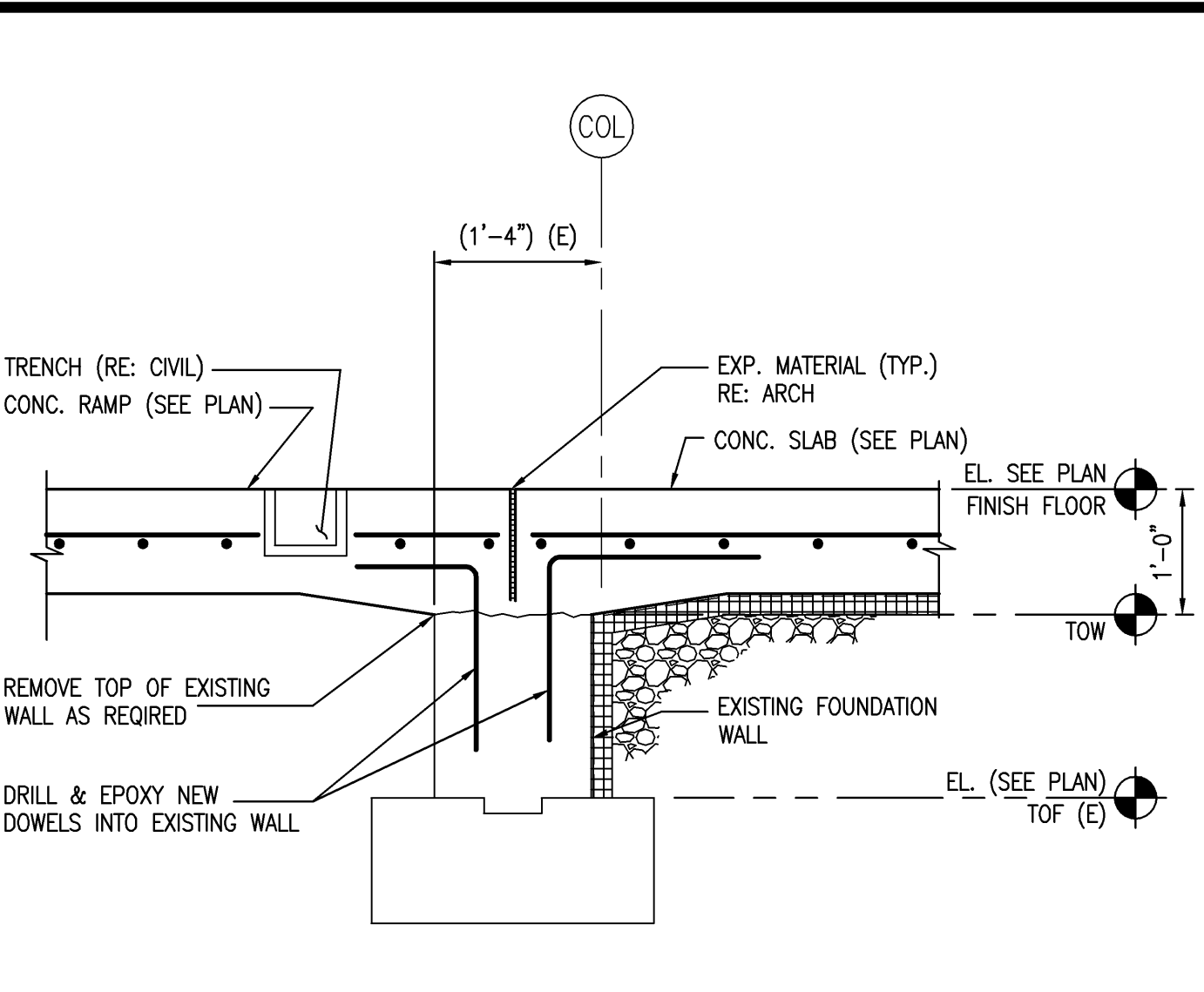
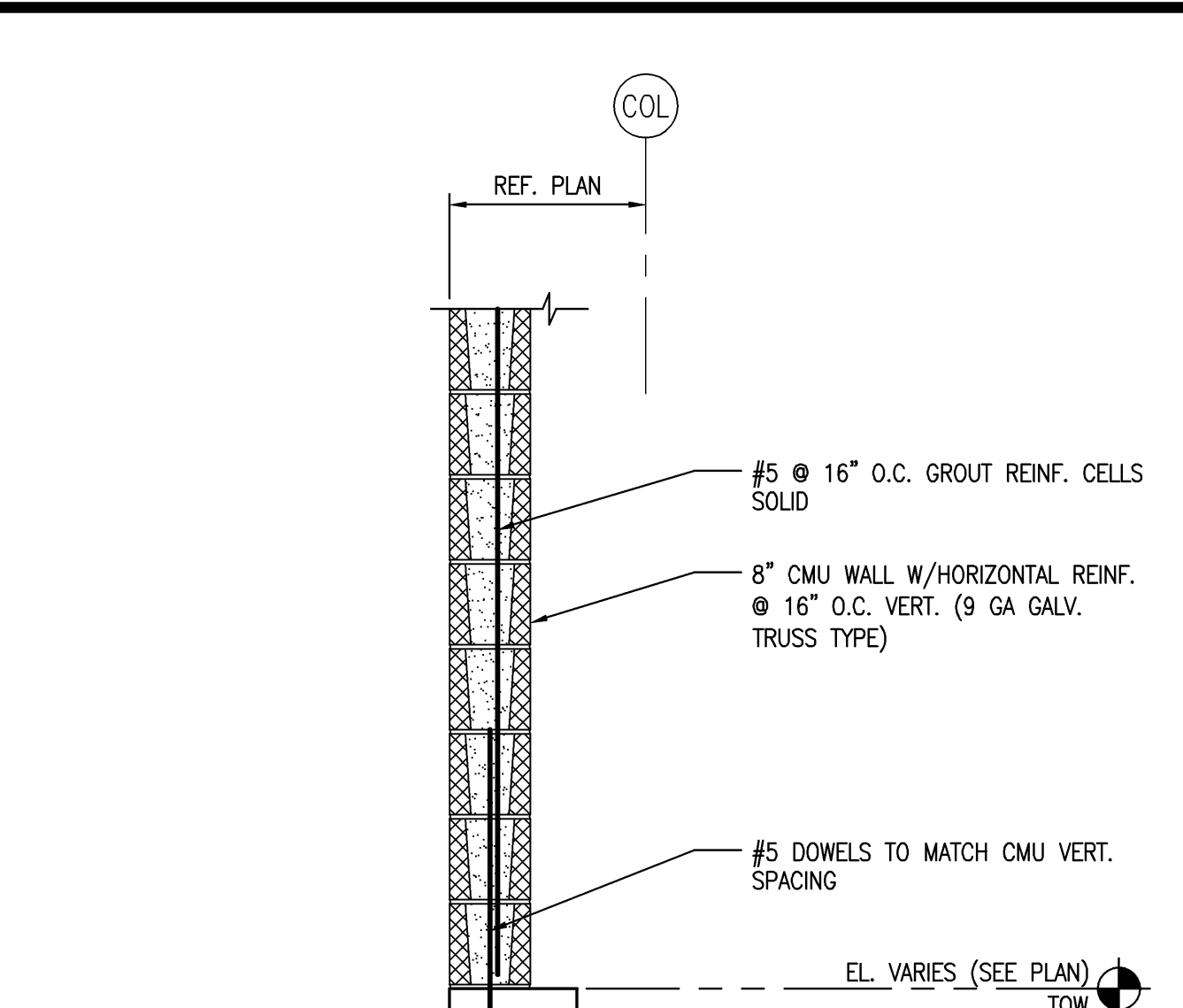


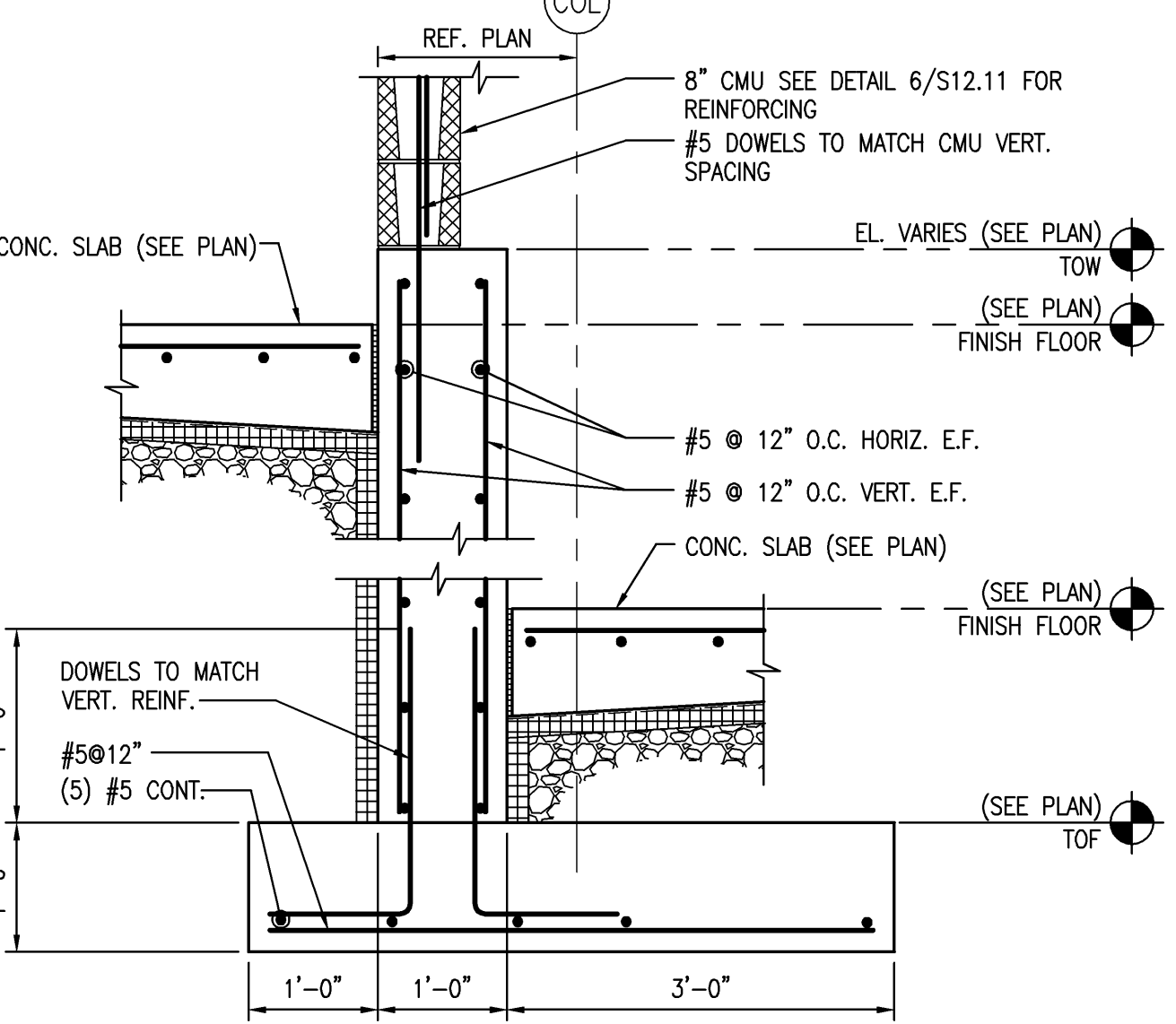
**WALL SECTION @ PIER FOOTING**  
SCALE: 3/4" = 1'-0"  
S02.01.04 **12**



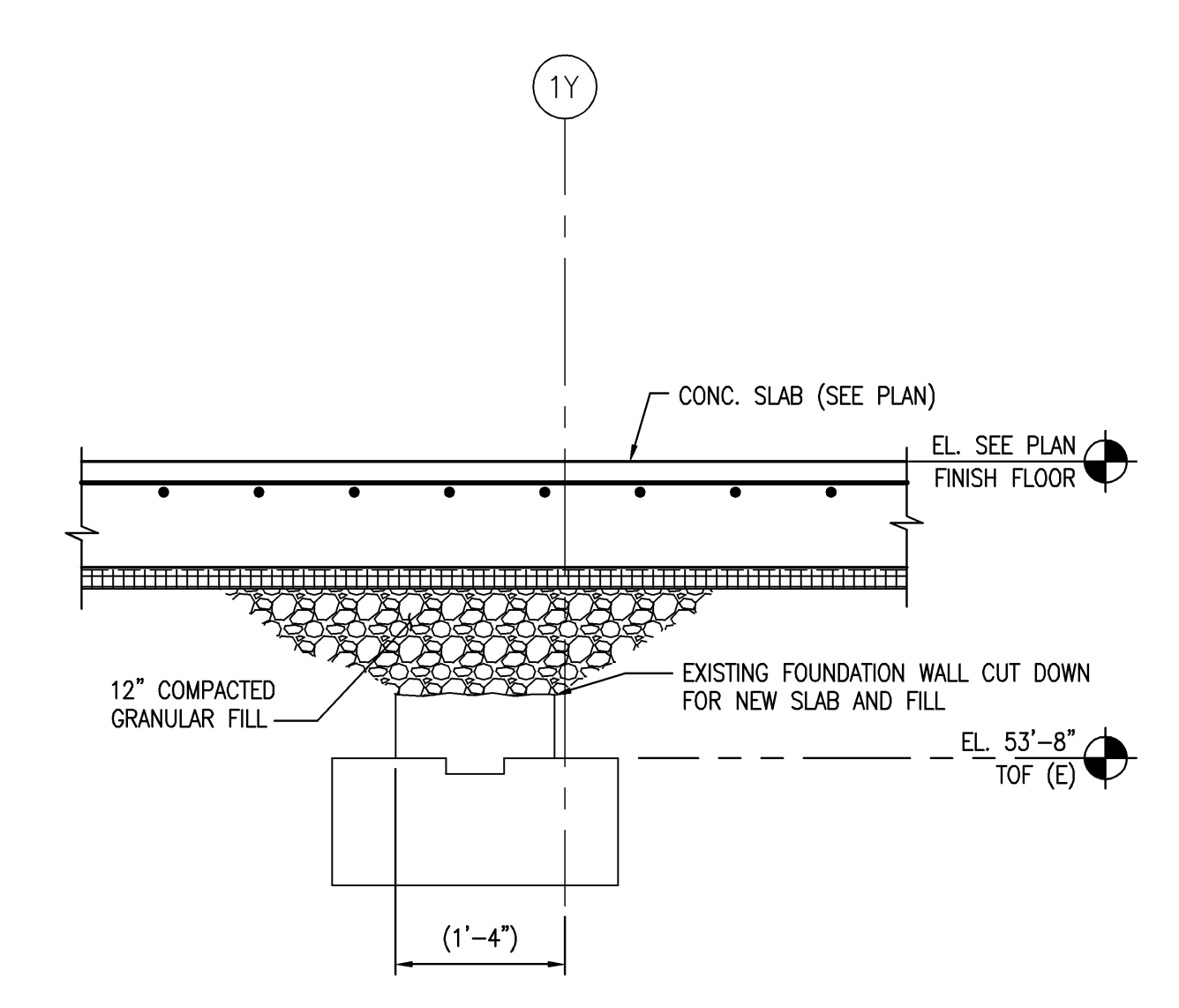
**WALL SECTION @ RAMP**  
SCALE: 3/4" = 1'-0"  
S02.01.03 **8**



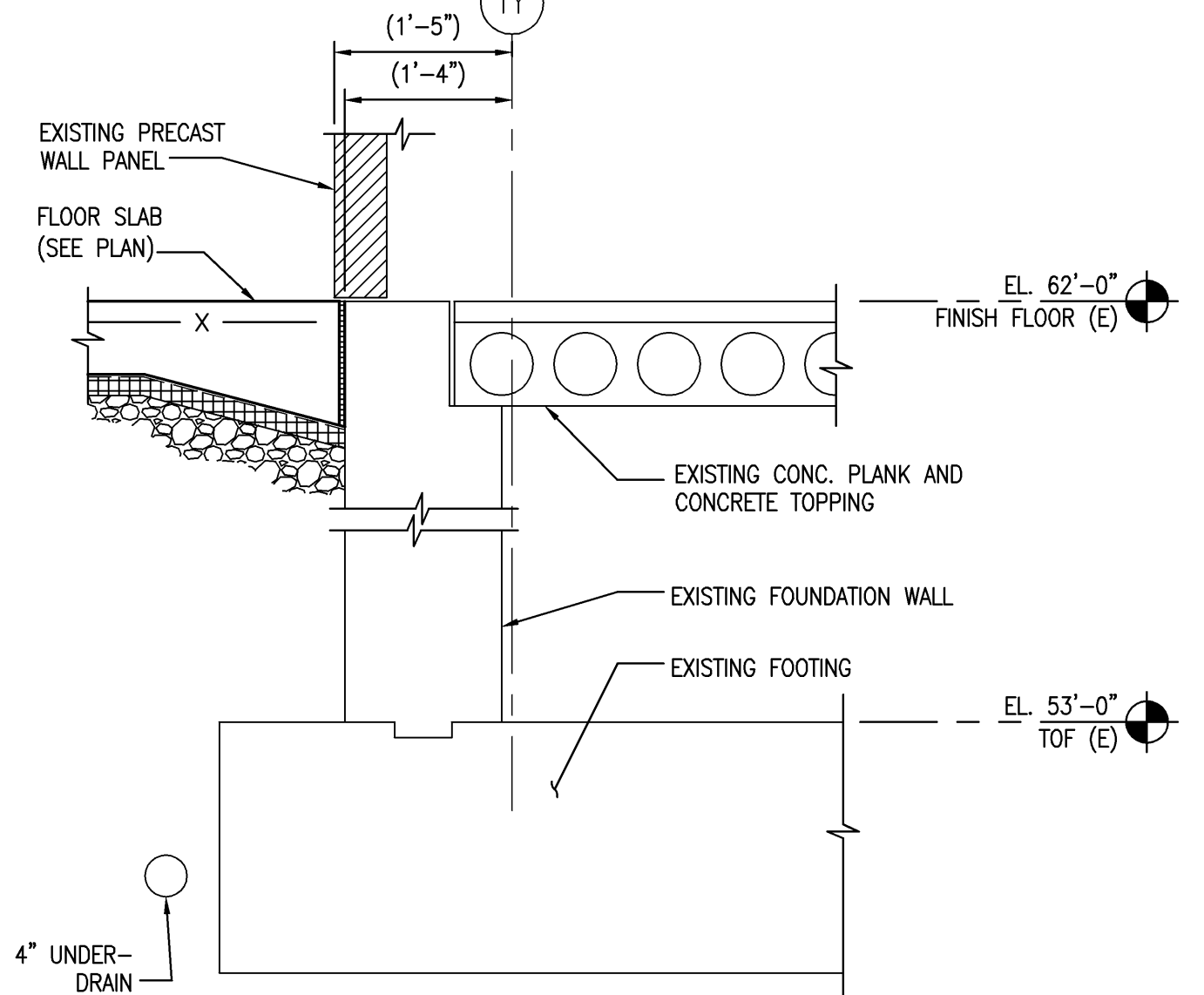
**WALL SECTION**  
SCALE: 3/4" = 1'-0"  
S02.01.04 **1**



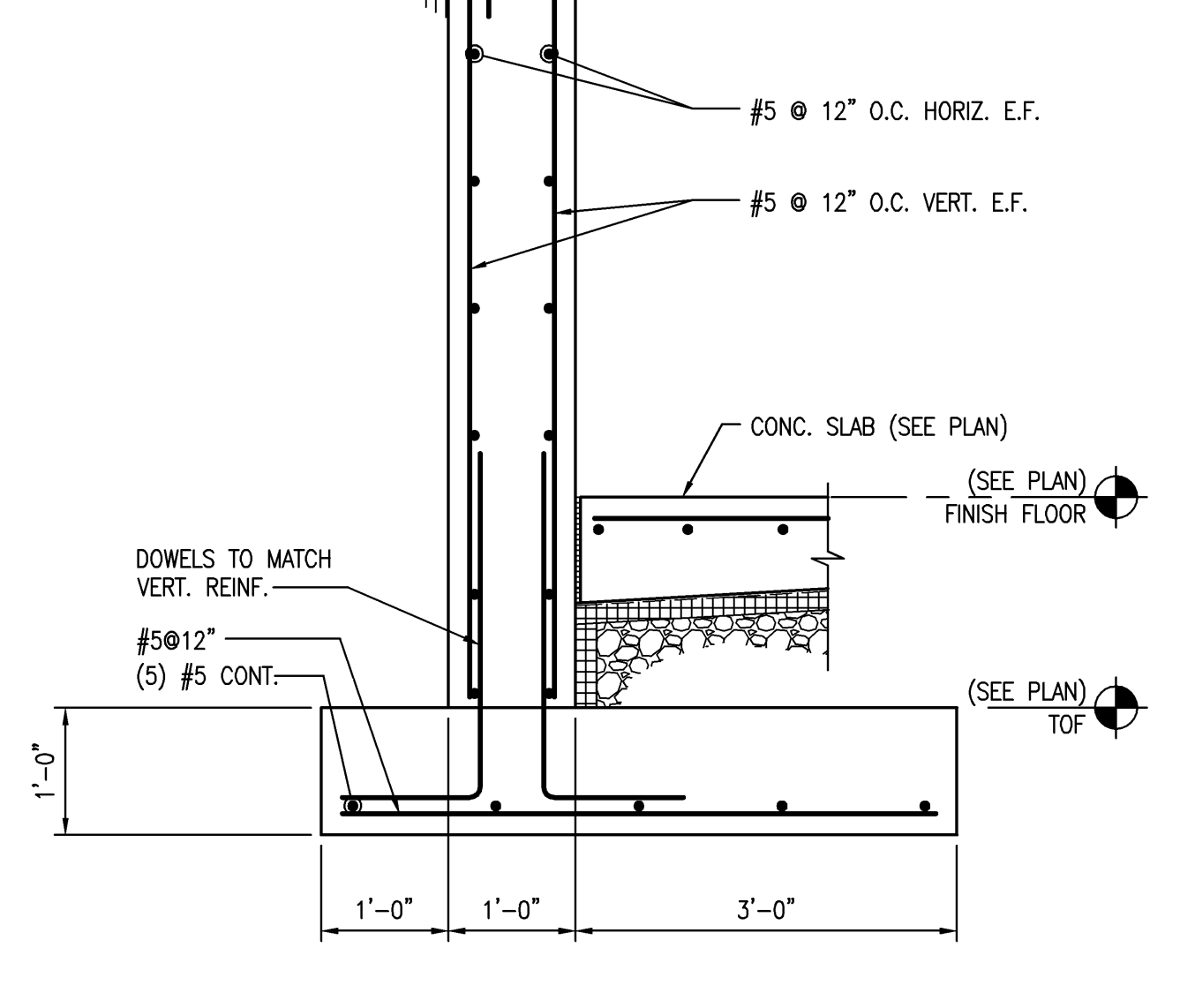
**WALL SECTION**  
SCALE: 3/4" = 1'-0"  
S02.01.05 **15**



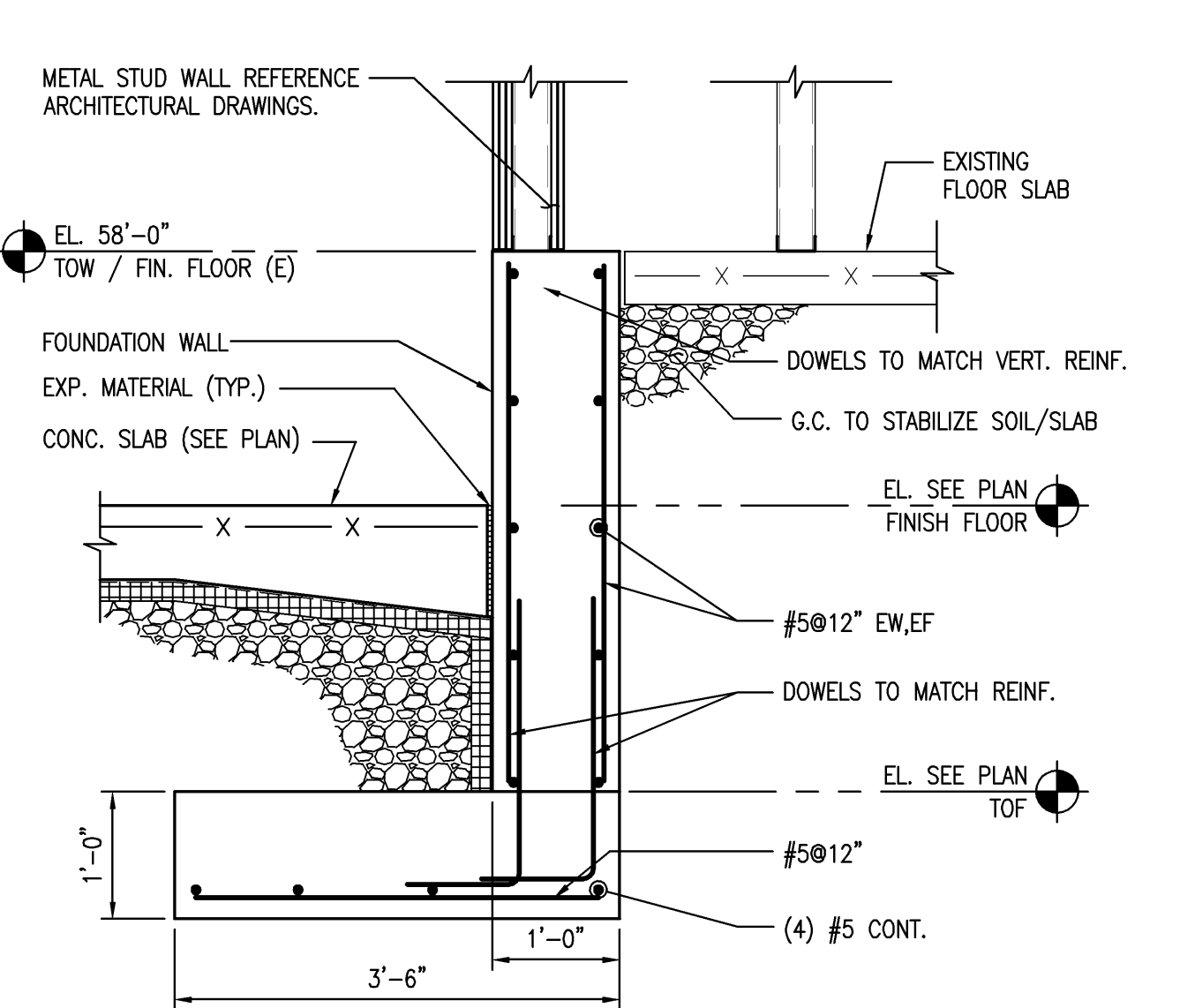
**WALL SECTION @ SLAB**  
SCALE: 3/4" = 1'-0"  
S02.01.04 **13**



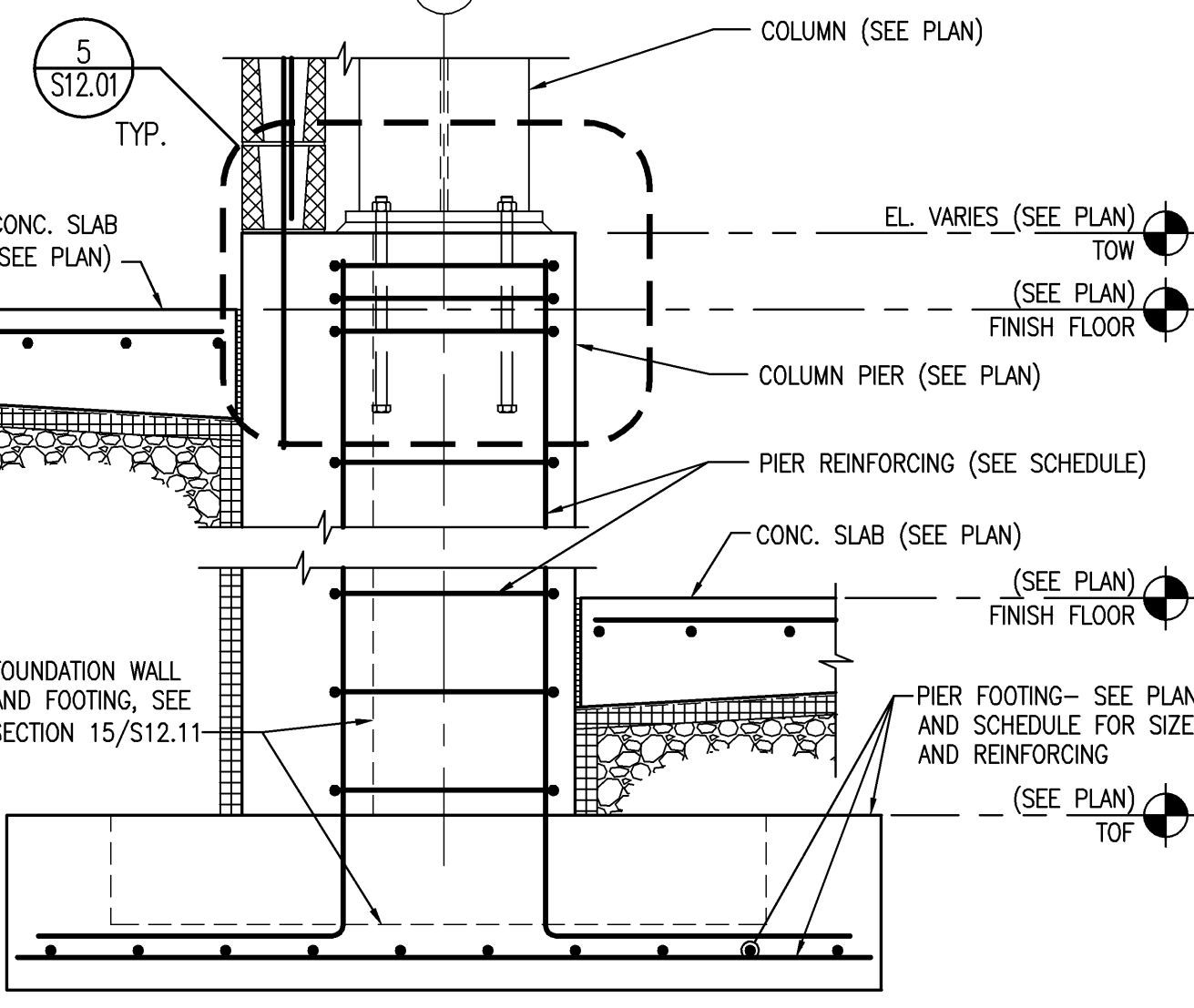
**WALL SECTION**  
SCALE: 3/4" = 1'-0"  
S02.01.04 **9**



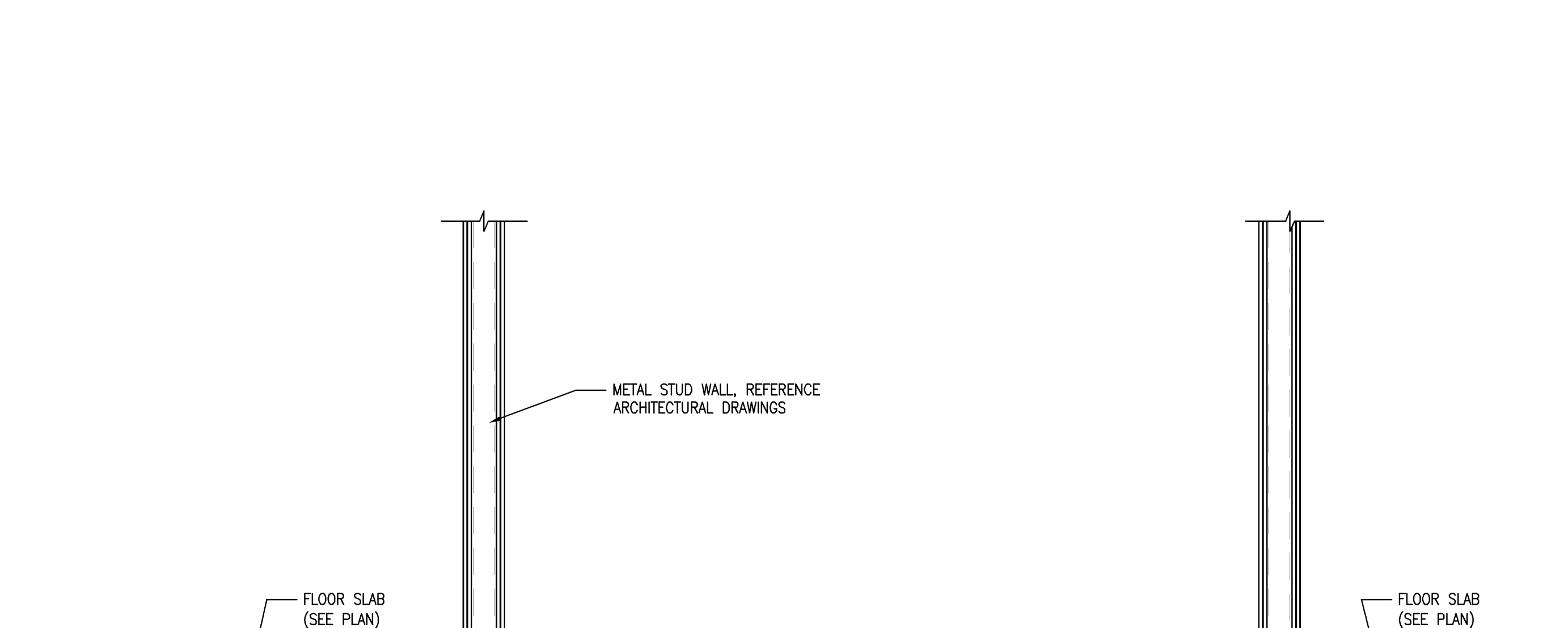
**WALL SECTION**  
SCALE: 3/4" = 1'-0"  
S02.01.04, S02.01.05 **6**



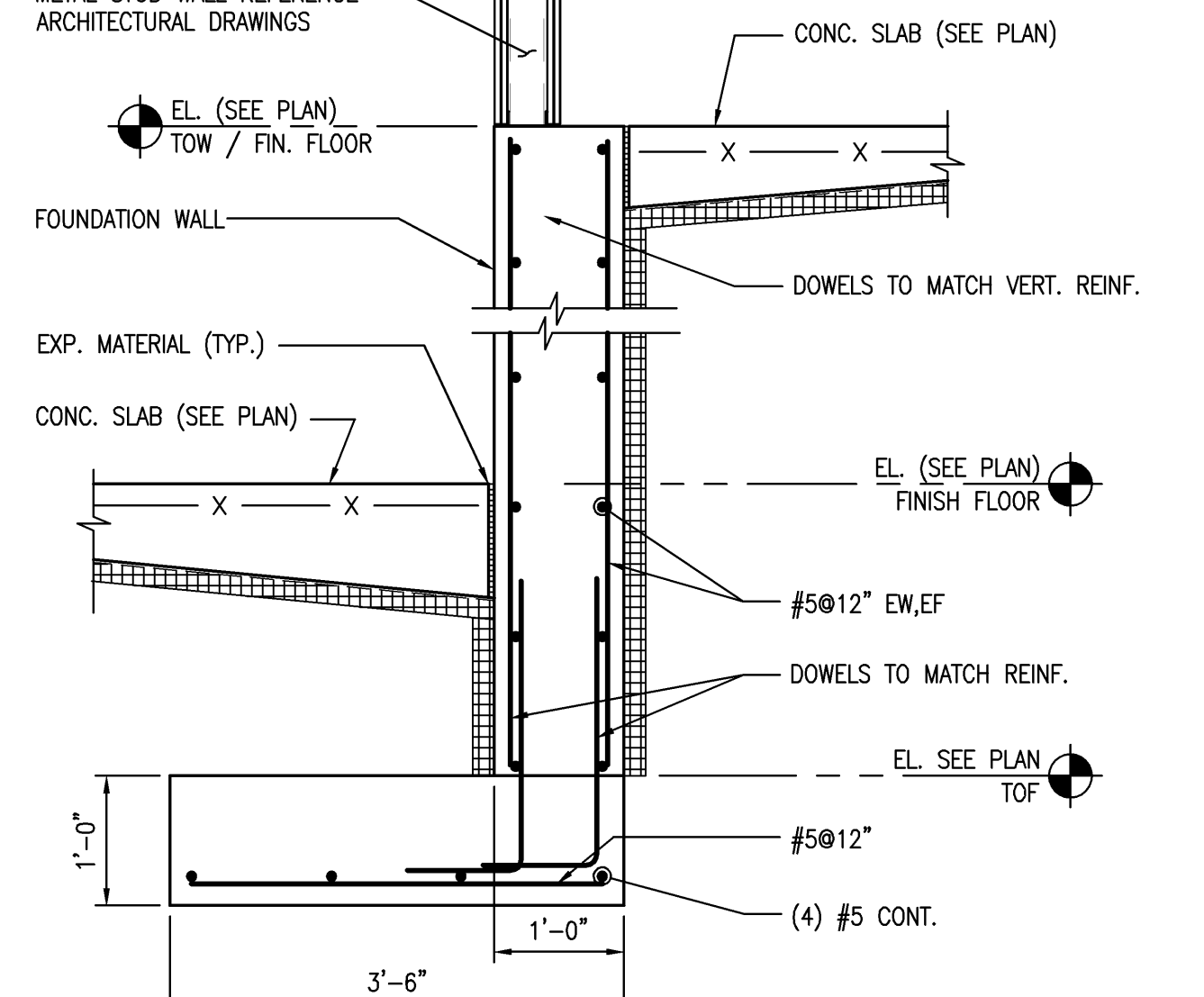
**WALL SECTION**  
SCALE: 3/4" = 1'-0"  
S02.01.03, S02.01.04 **2**



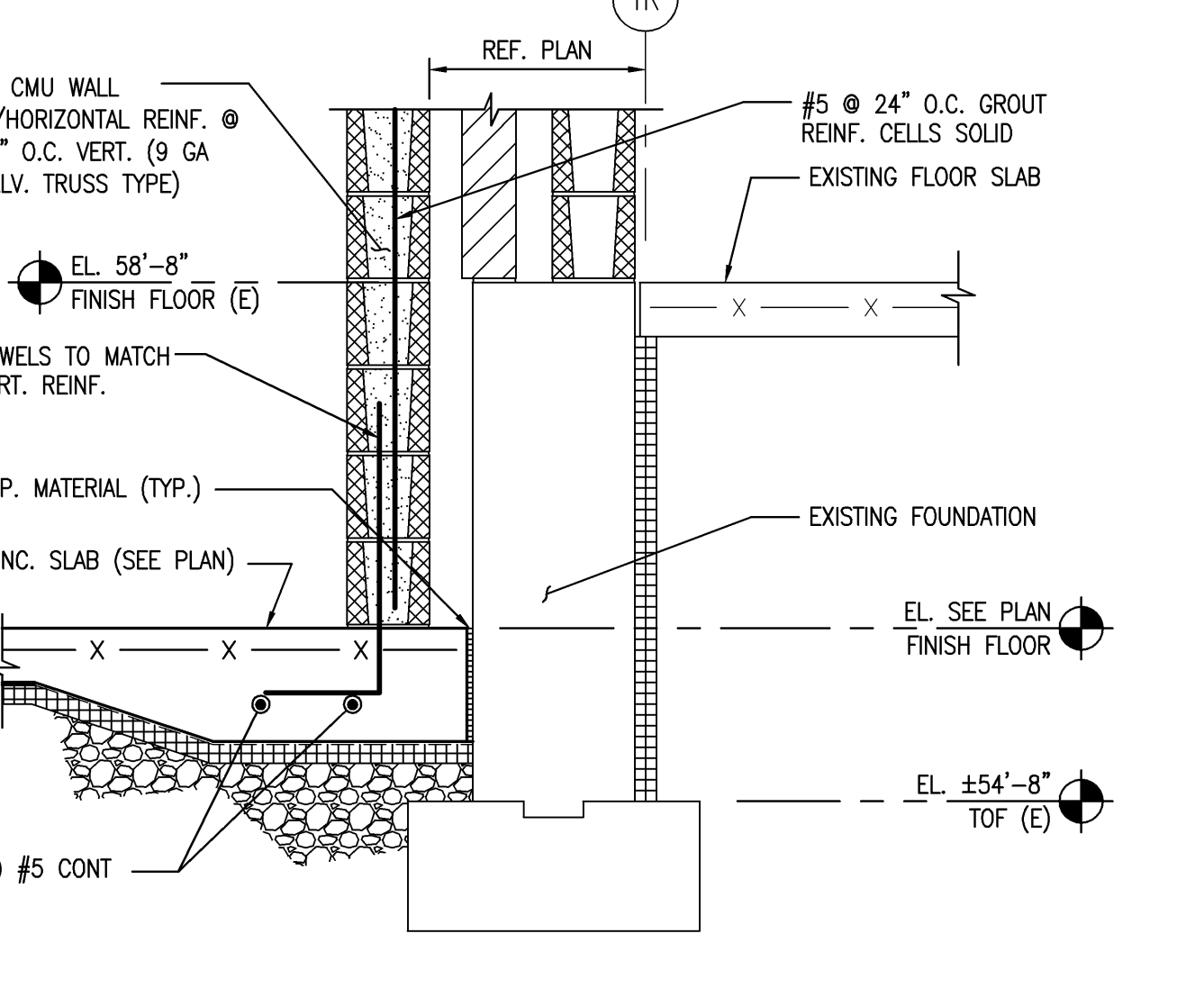
**WALL SECTION @ PIER**  
SCALE: 3/4" = 1'-0"  
S02.01.05 **16**



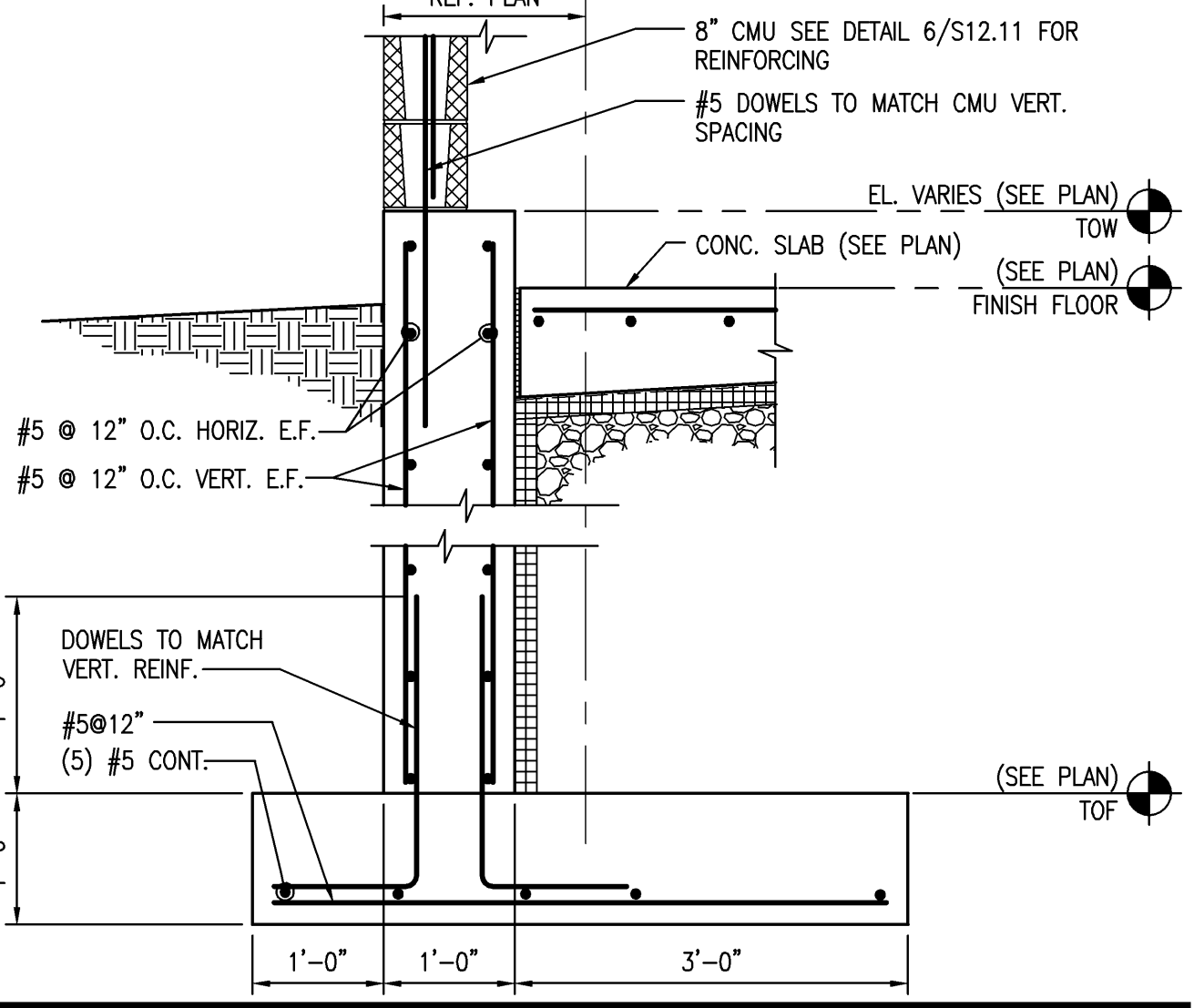
**SECTION AT ELEVATOR #8 PIT & CMU WALL**  
SCALE: 3/4" = 1'-0"  
S02.01.05 **10**



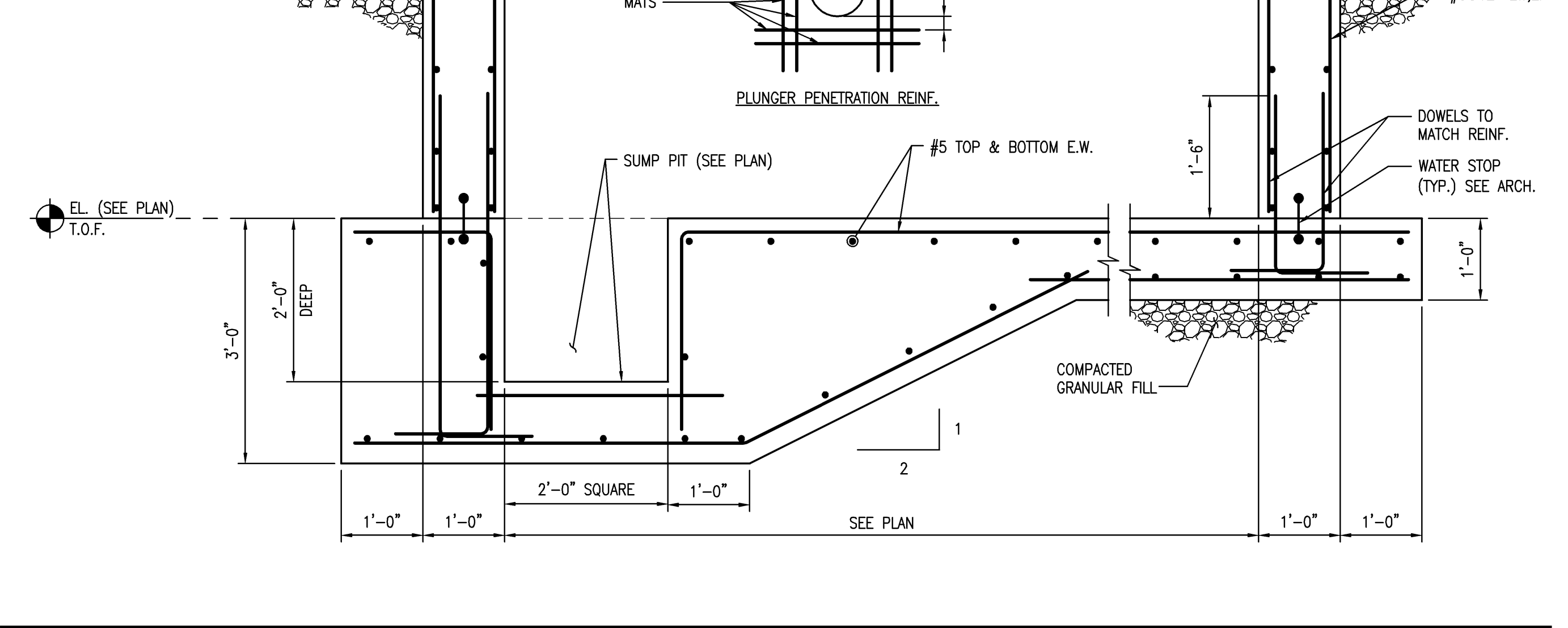
**WALL SECTION**  
SCALE: 3/4" = 1'-0"  
S02.01.04, S02.01.05 **7**



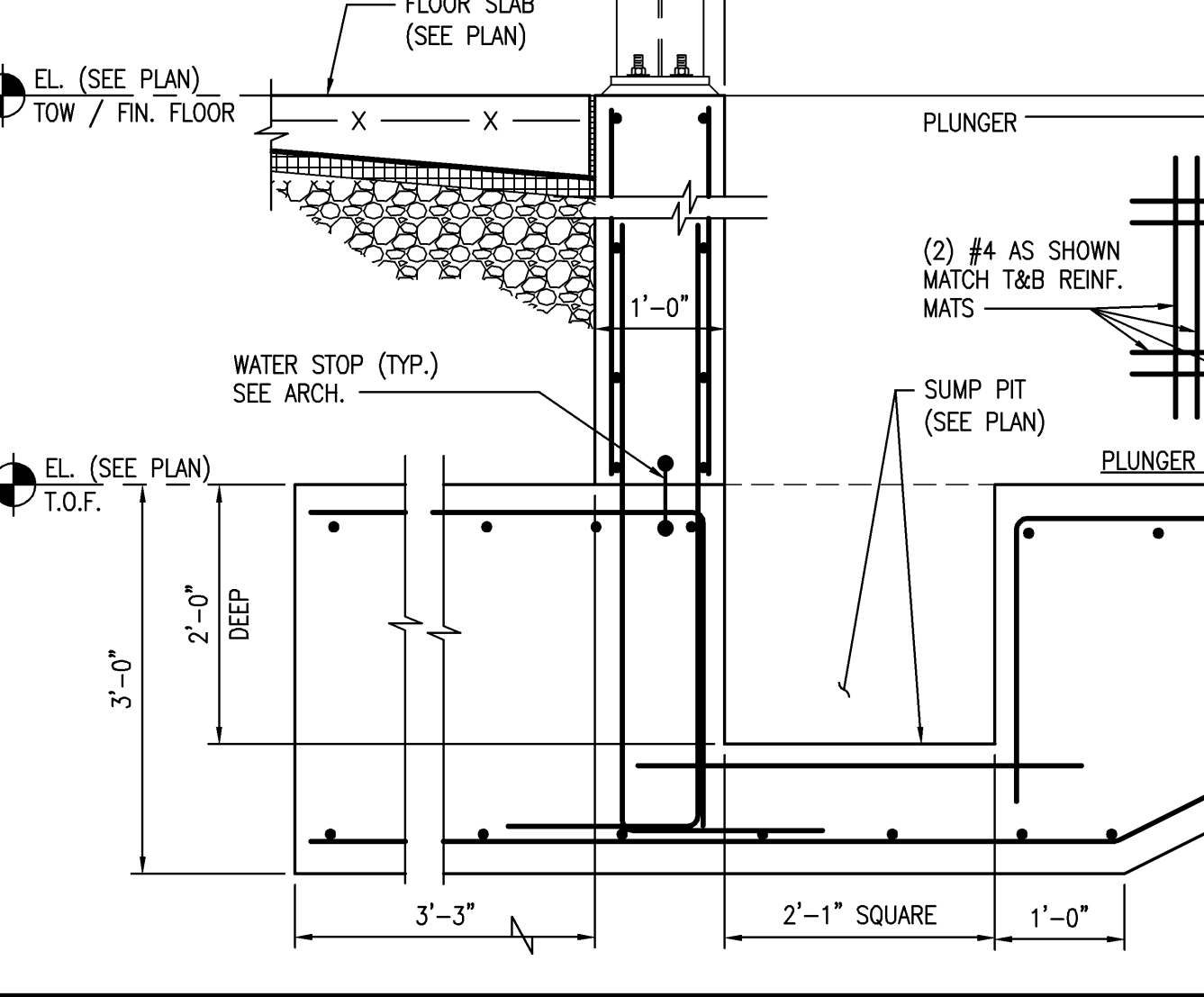
**WALL SECTION**  
SCALE: 3/4" = 1'-0"  
S02.01.03 **3**



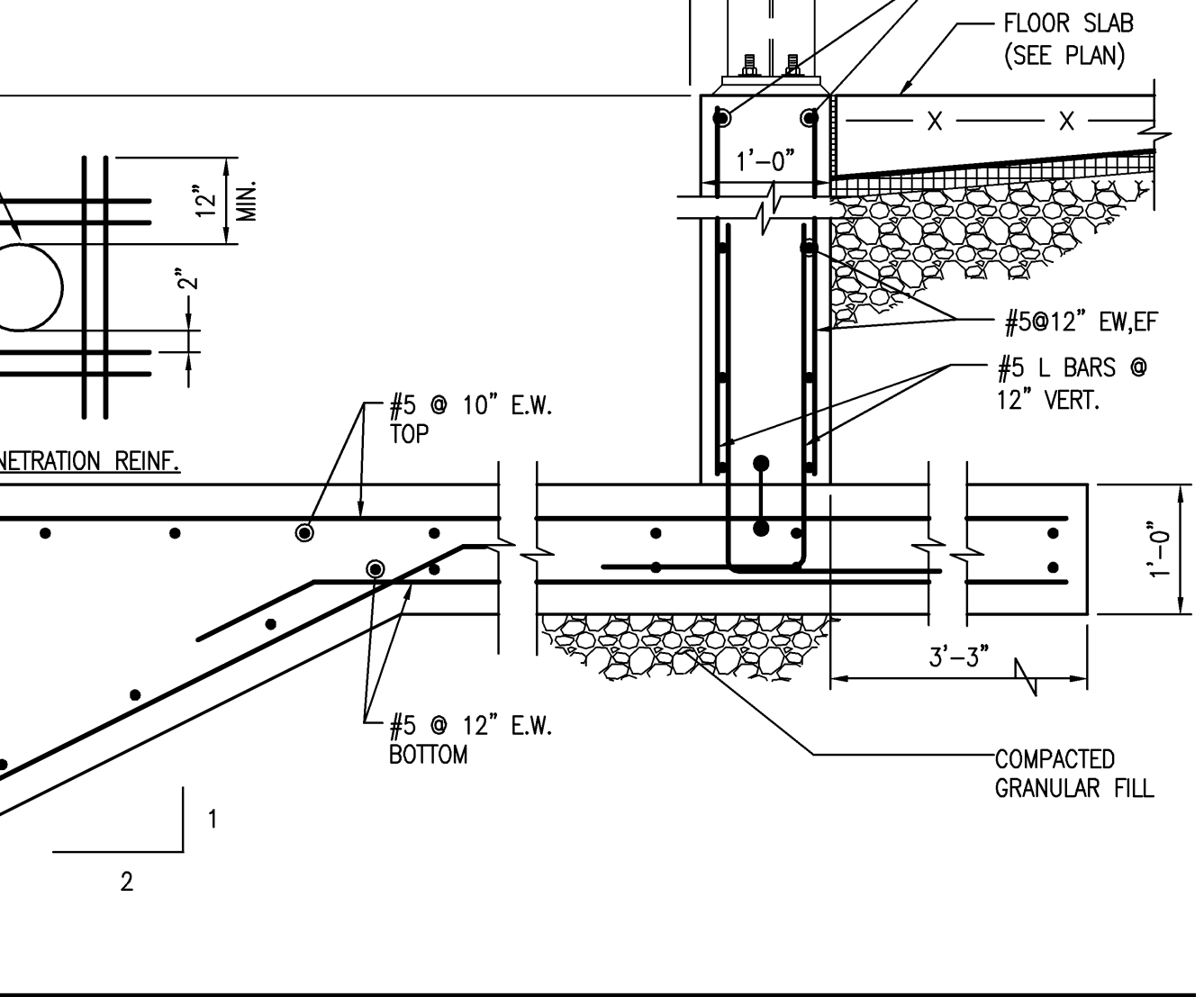
**WALL SECTION**  
SCALE: 3/4" = 1'-0"  
S02.01.05, S02.01.07 **17**



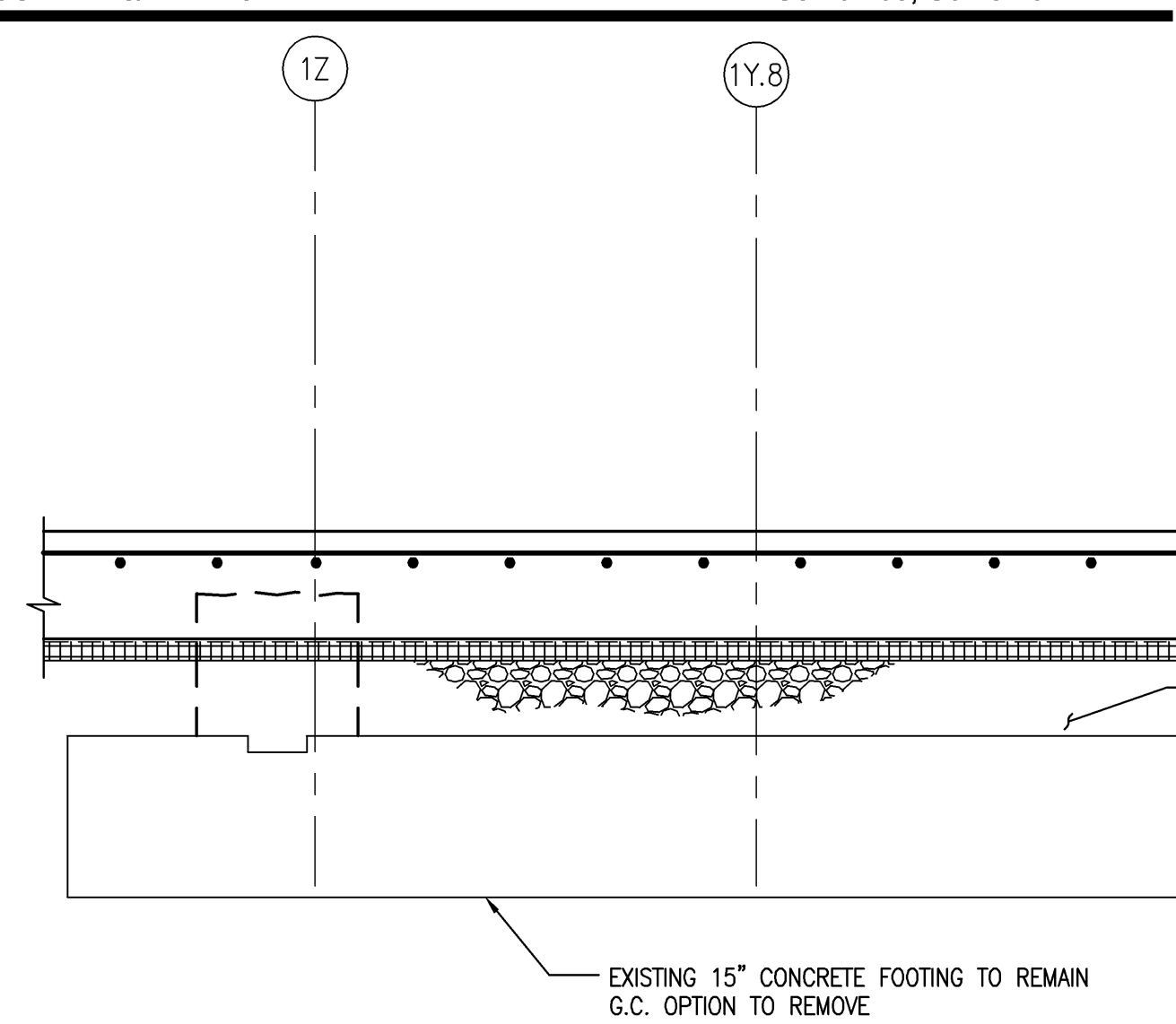
**SECTION AT ELEVATOR PIT**  
SCALE: 3/4" = 1'-0"  
S02.01.05 **4**



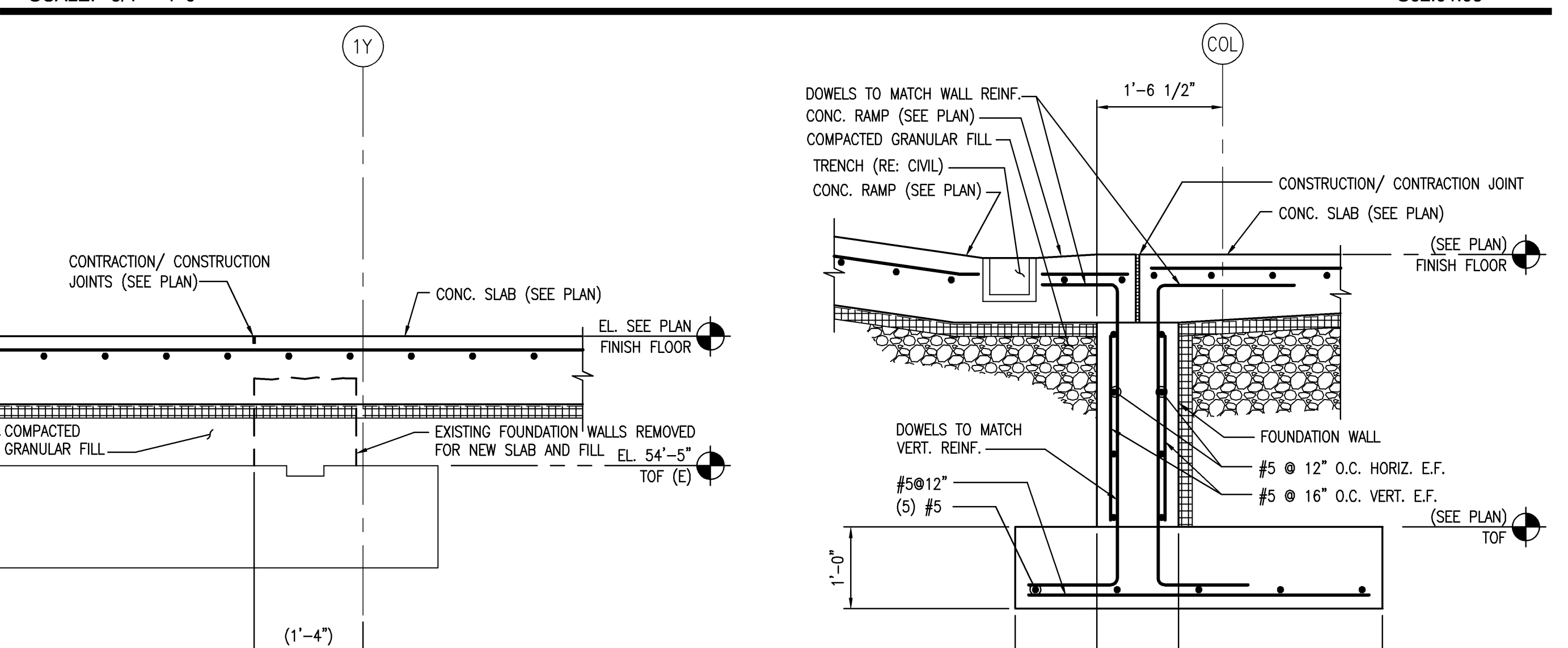
**SECTION AT ELEVATOR PIT**  
SCALE: 3/4" = 1'-0"  
S02.01.05 **4**



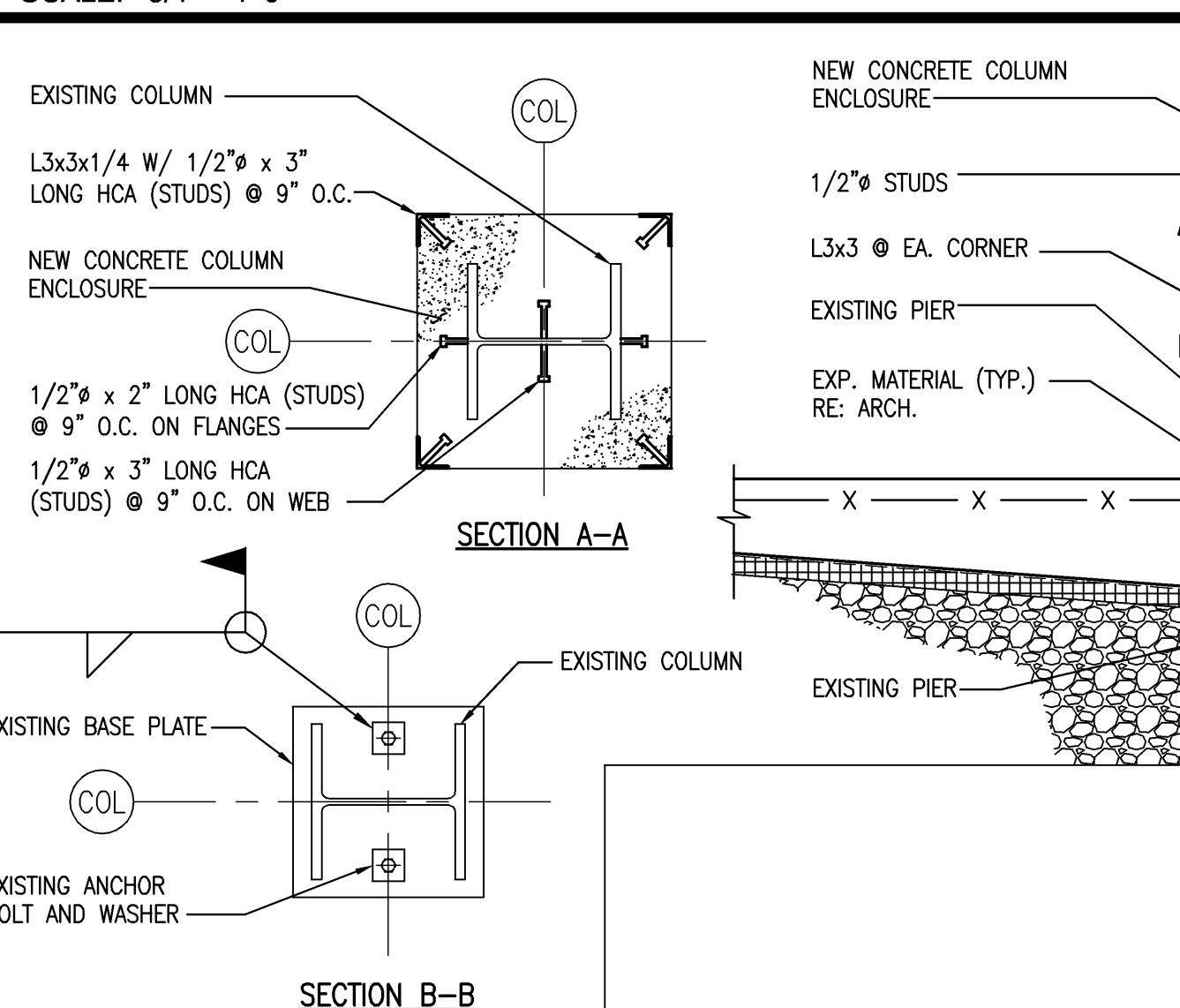
**SECTION AT ELEVATOR PIT**  
SCALE: 3/4" = 1'-0"  
S02.01.05 **4**



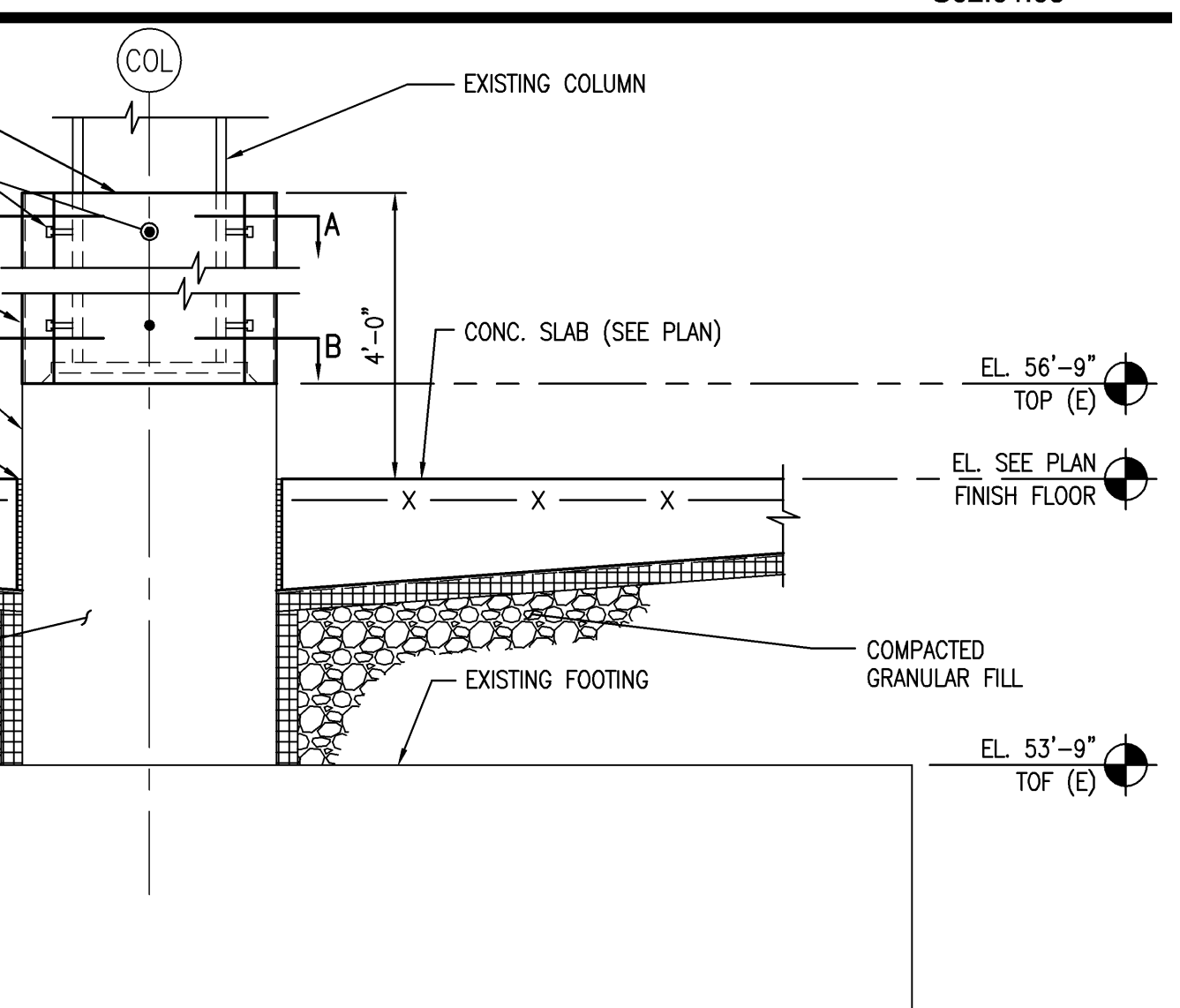
**WALL SECTION @ SLAB**  
SCALE: 3/4" = 1'-0"  
S02.01.04 **14**



**WALL SECTION @ RAMP**  
SCALE: 3/4" = 1'-0"  
S02.01.04 **11**



**SECTION AT EXISTING COLUMN PIER**  
SCALE: 3/4" = 1'-0"  
S02.01.03, S02.01.04 **5**



**SECTION AT EXISTING COLUMN PIER**  
SCALE: 3/4" = 1'-0"  
S02.01.03, S02.01.04 **5**

**SHEET NOTES**

BLOCK COURSING SHOWN IS A GRAPHIC REPRESENTATION ONLY AND IS NOT INTENDED FOR CONSTRUCTION. REFERENCE ARCHITECTURAL DRAWINGS FOR COURSING ELEVATION.

REFERENCE ARCHITECTURAL DRAWINGS FOR ALL INSULATING AND WATERPROOFING REQUIREMENTS.

REFERENCE S02.01.00 FOR ALL UNDERSLAB DRAINAGE REQUIREMENTS.

REFERENCE SHEETS S12.01 & S12.02 FOR TYPICAL FOUNDATION AND CONCRETE REINFORCING STANDARDS.

2020 K Street, NW  
Suite 200  
Washington, DC 20006  
Telephone 202.771.5200  
Facsimile 202.872.8587

**Gensler**

**oest ASSOCIATES, INC.**  
343 Oyster Road, South Portland, ME 04106 P (207) 761-7700 F (207) 774-2844 www.oest.com  
engineers • architects • surveyors • construction managers

**Portland International Jetport**

1001 Westbrook Street  
Portland, Maine 04102

**oest ASSOCIATES, INC.**  
343 Oyster Road, South Portland, ME 04106 P (207) 761-7700 F (207) 774-2844 www.oest.com  
engineers • architects • surveyors • construction managers

Issue	Date & Issue Description	By	Check
01	09/22/08 DESIGN DEVELOPMENT	JDE	---
02	12/03/08 75% CONSTRUCTION DOCUMENTS	JDE	---
03	01/23/09 95% CONSTRUCTION DOCUMENTS	JDE	---
04	10/26/09 ISSUED FOR PERMIT	JDE	---

Project Name  
PJM Terminal Enhancement

Project Number  
08-8395-000  
CAD File Name  
T:\S330101\SHETS\S12.11.DWG

Description  
FOUNDATION SECTIONS & DETAILS

Scale  
AS NOTED

**S12.11**

©2009 Gensler