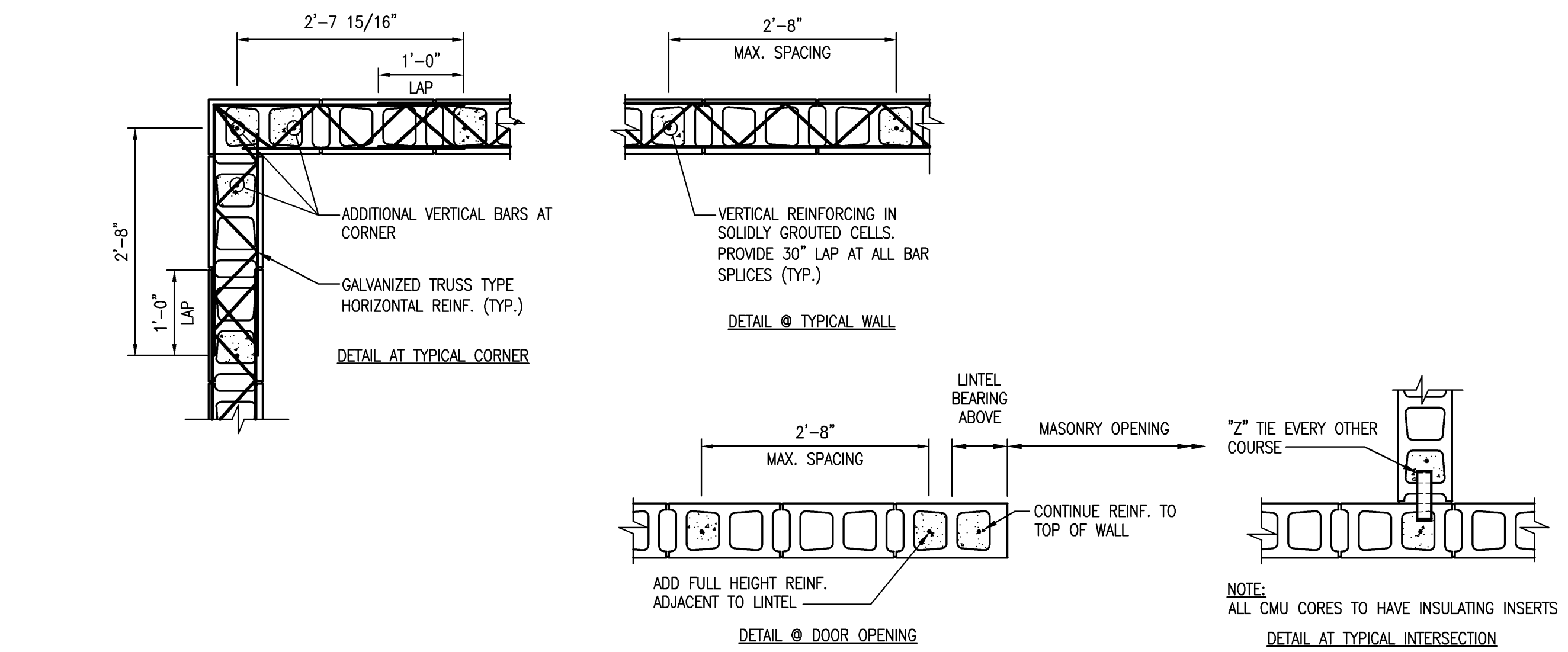
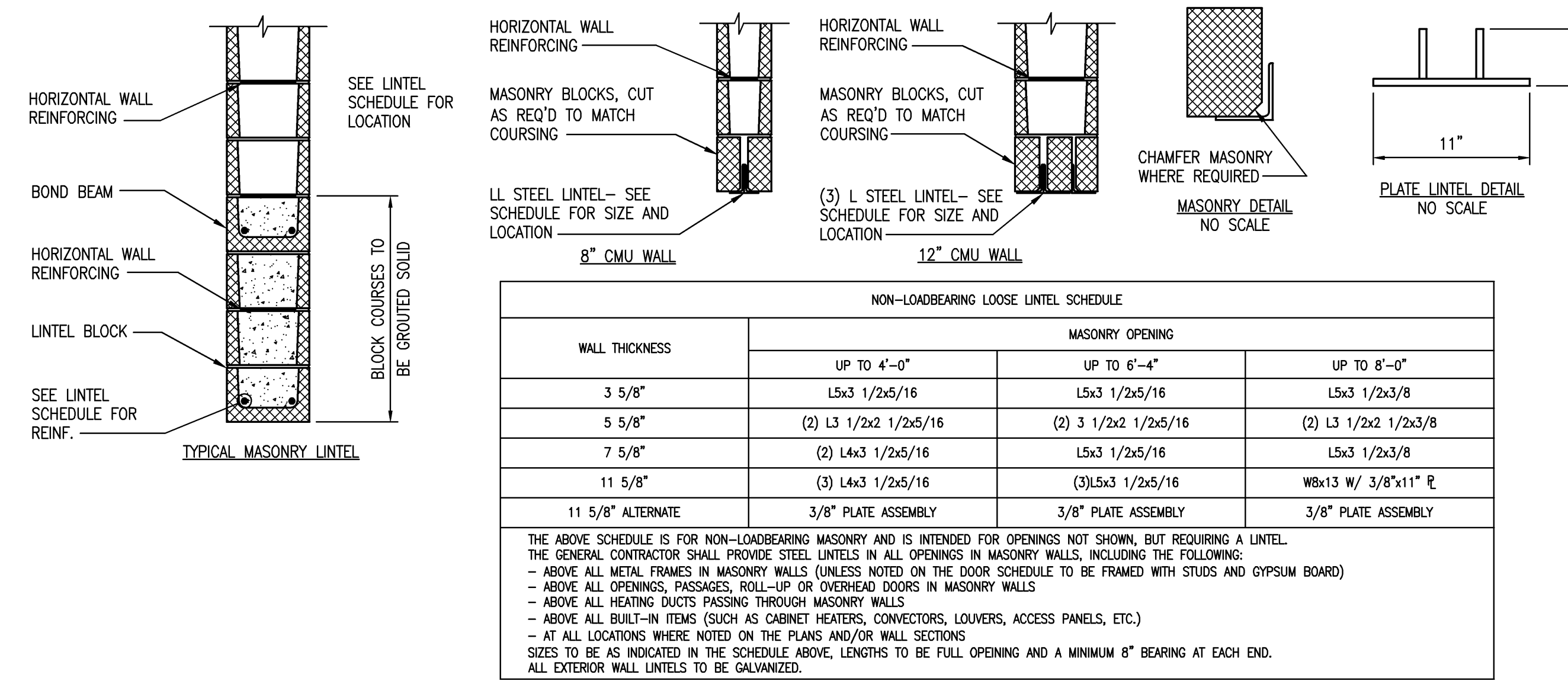


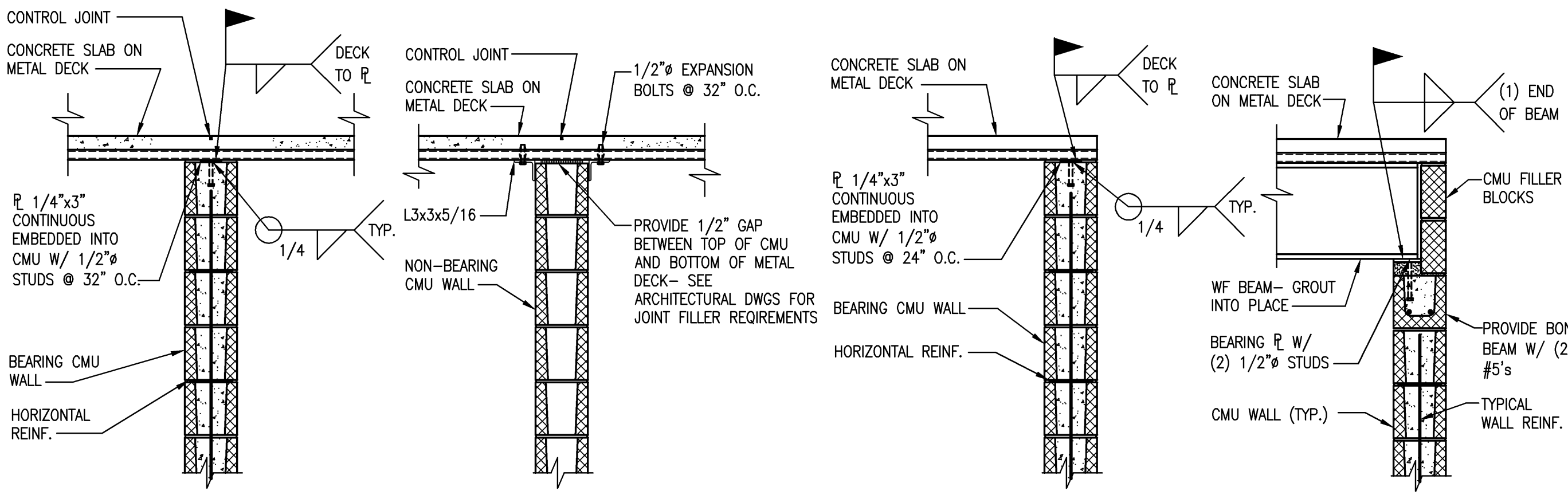
TYPICAL REINFORCING STEEL AROUND OPENINGS
SCALE: 3/4" = 1'-0"



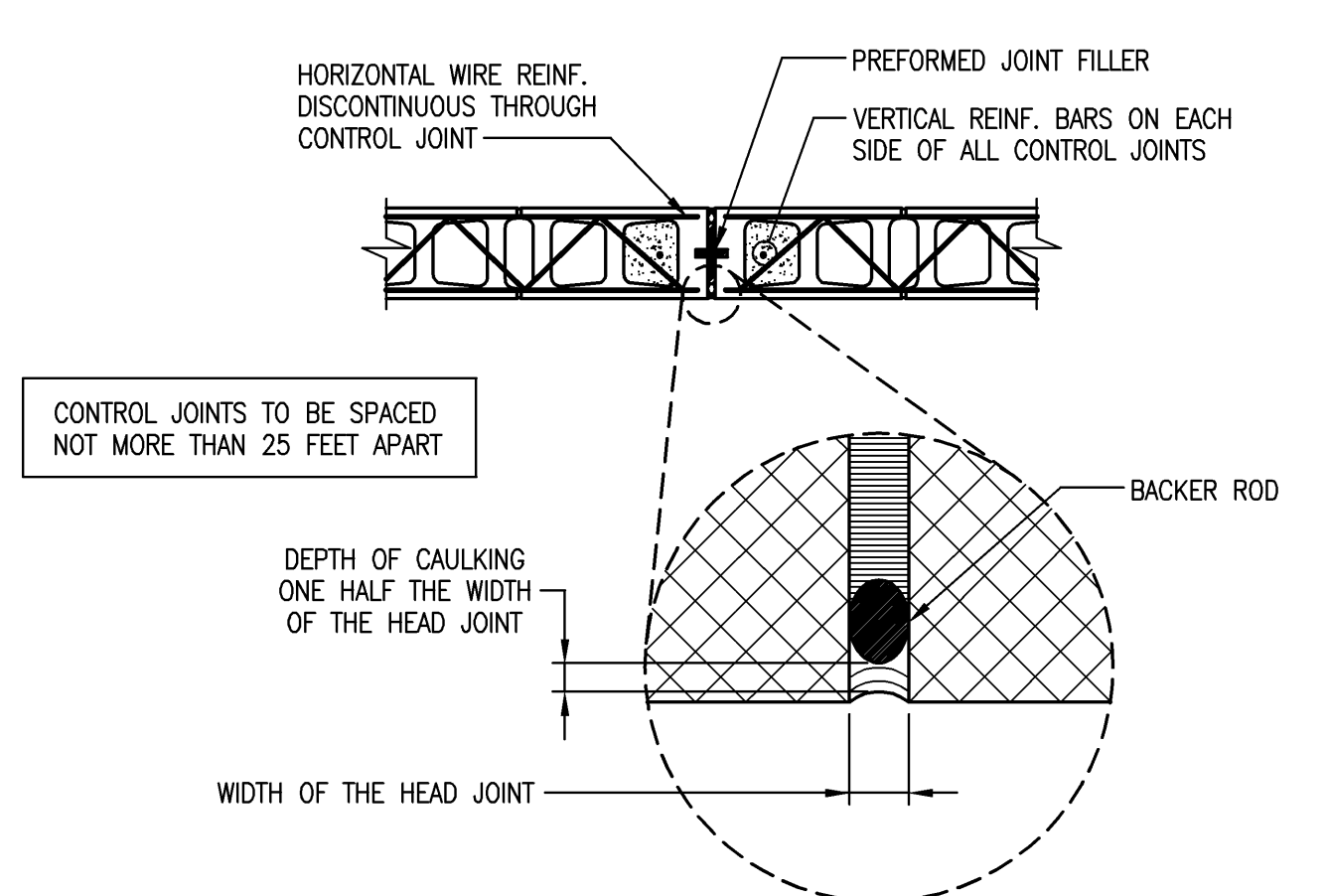
TYPICAL CMU REINFORCING DETAILS
SCALE: 3/4" = 1'-0"



TYPICAL CMU LINTEL DETAILS AND SCHEDULE
SCALE: 3/4" = 1'-0"



TYPICAL CMU CONNECTION DETAILS
SCALE: 3/4" = 1'-0"



VERT. MASONRY CONTROL JOINT
SCALE: 3/4" = 1'-0"

NOT USED

DETAIL
SCALE: 3/4" = 1'-0"

Issue	Date & Issue Description	By	Check
-- 01	12/03/08	JDE	--
-- 02	07/23/09	JDE	--
-- 03	10/26/09	JDE	--

ISSUED FOR PERMIT

Project Name
PJM Terminal Enhancement

Project Number
08.6396.000

CAD File Name
T:\5330101\SHEETS\S12.05.DWG

Description
TYPICAL DETAILS - MASONRY

Scale
AS NOTED

S12.05

©2009 Gensler