

Portland International Jetport

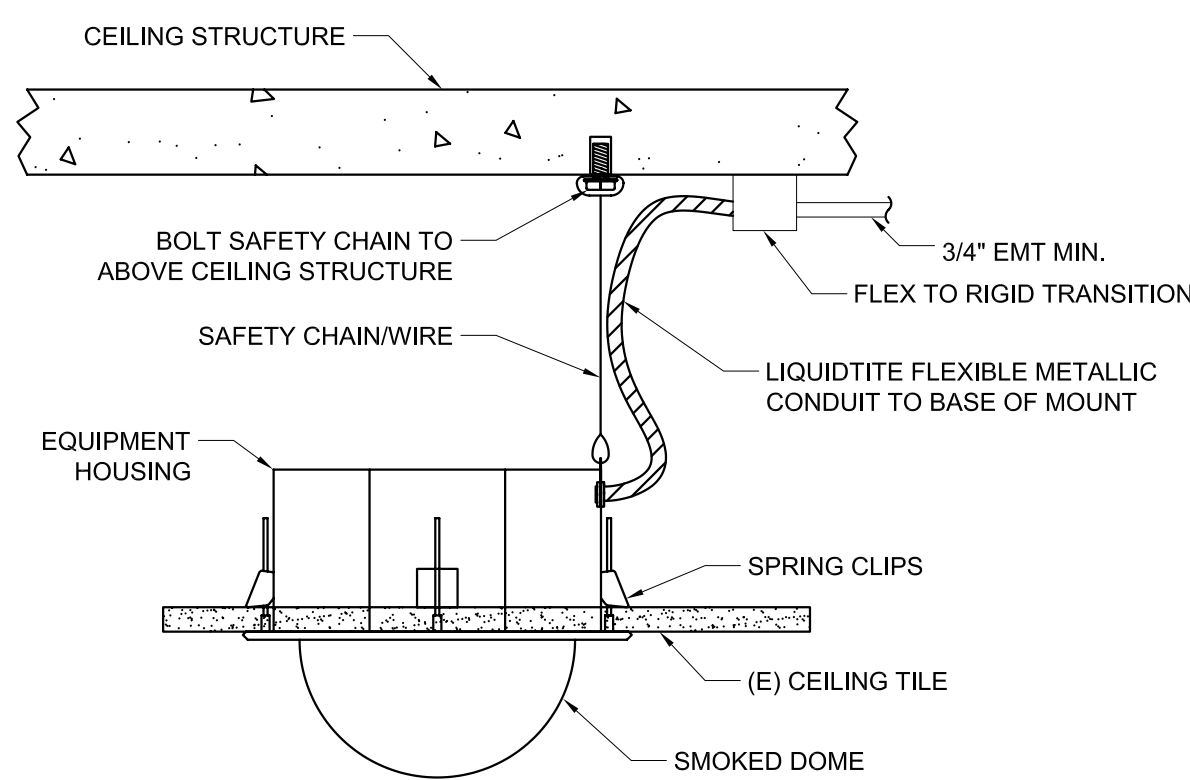
1001 Westbrook Street  
Portland, Maine 04102

2020 K Street, Northwest  
Suite 200  
Washington DC 20006  
Telephone: 202.721.5200  
Facsimile: 202.872.8587

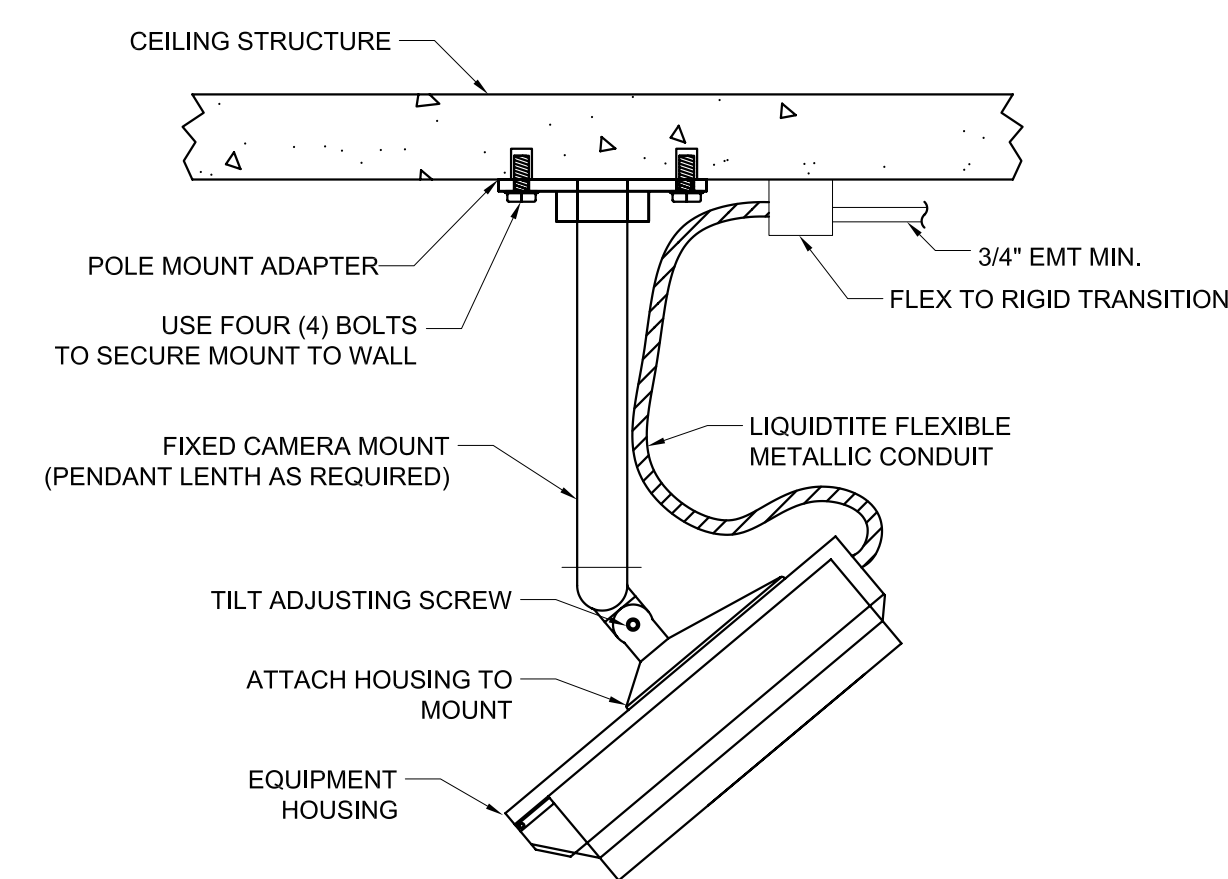
**Gensler**



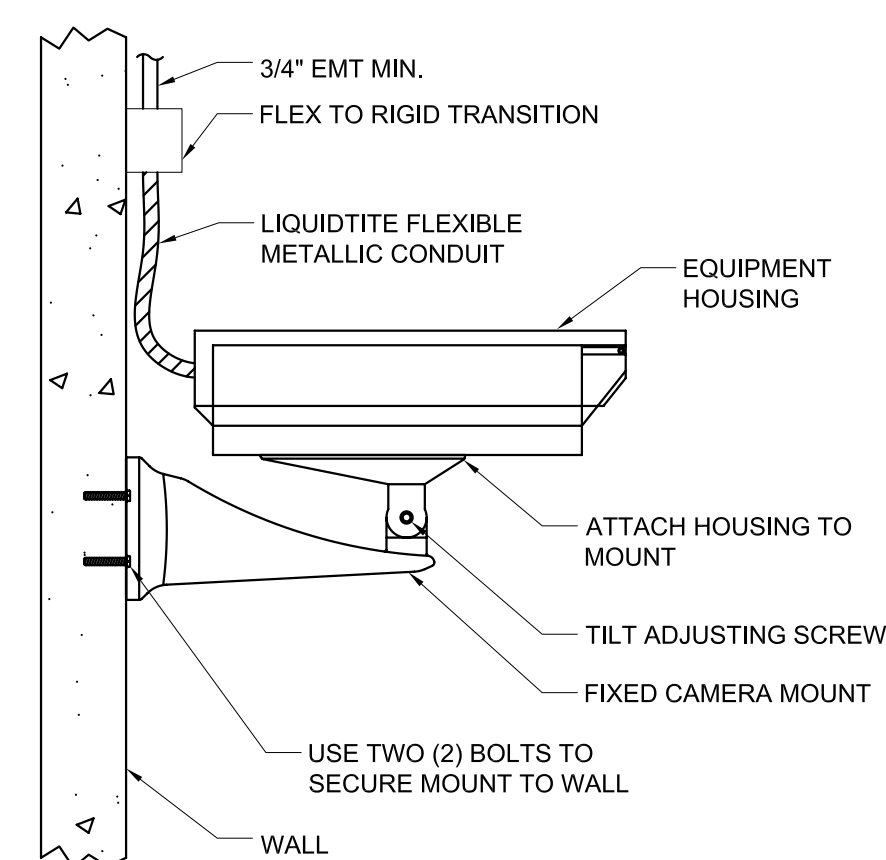
Arora Engineers, Inc.  
61 Wilmington - West Chester  
File  
Suite # 100  
Chadds Ford, PA 19317  
T: (610) 459-7900  
F: (610) 459-7950



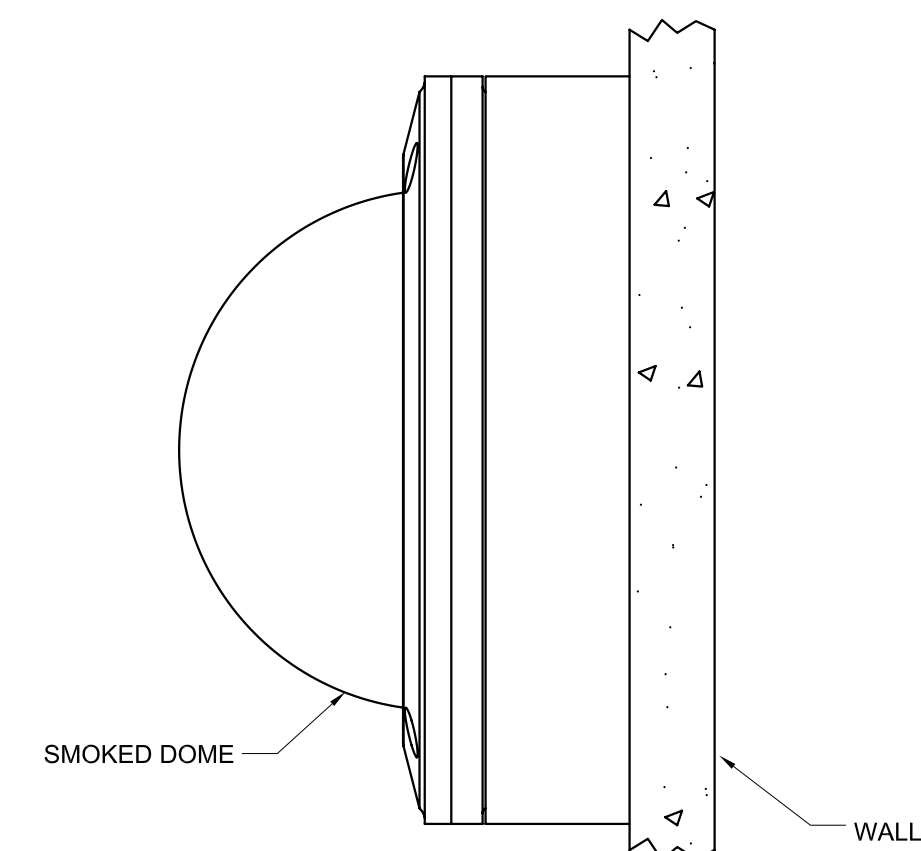
1 INDOOR FIXED DOME CAMERA  
SS12.20



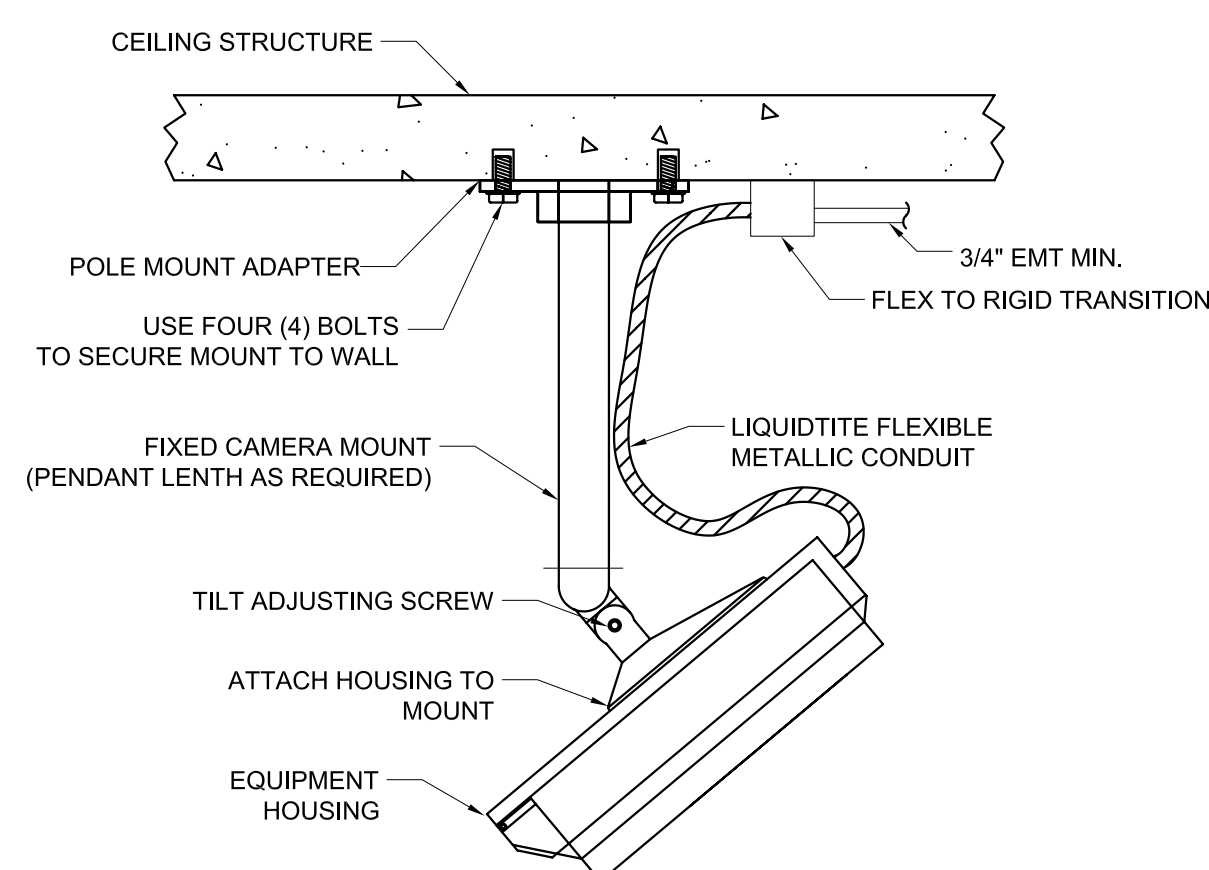
5 OUTDOOR CEILING MOUNT FIXED CAMERA  
SS12.20



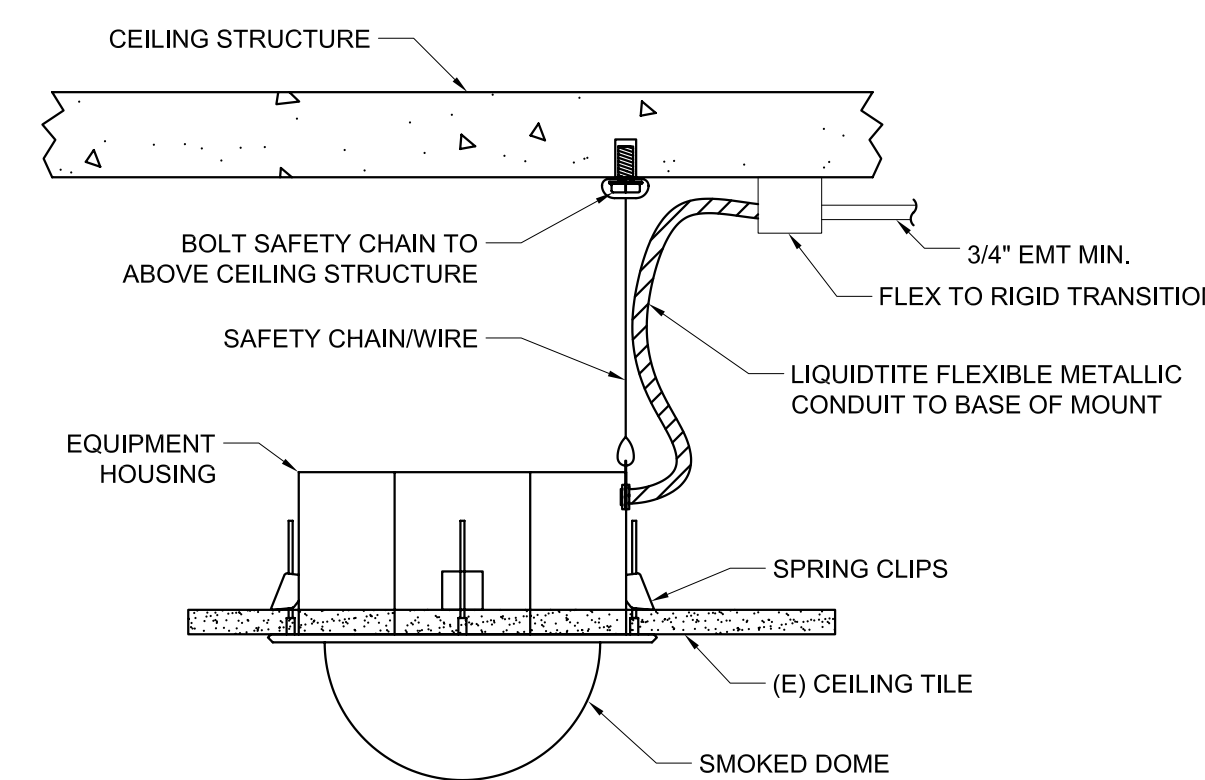
2 INDOOR COLUMN MOUNT FIXED CAMERA  
SS12.20



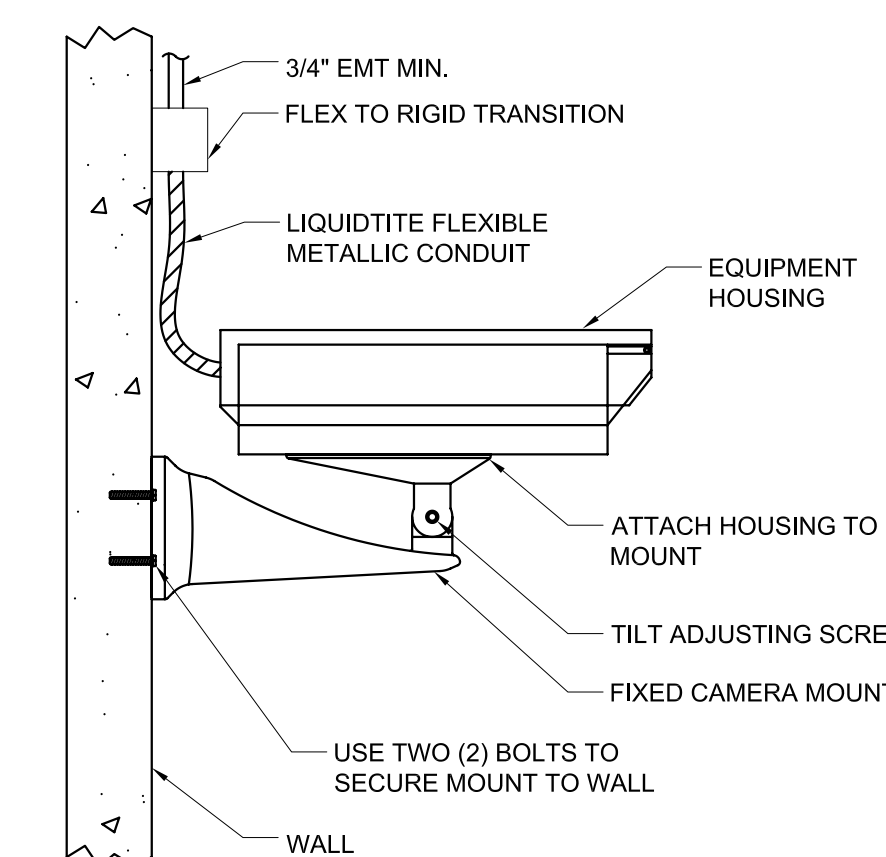
6 INDOOR WALL MOUNT DOME CAMERA  
SS12.20



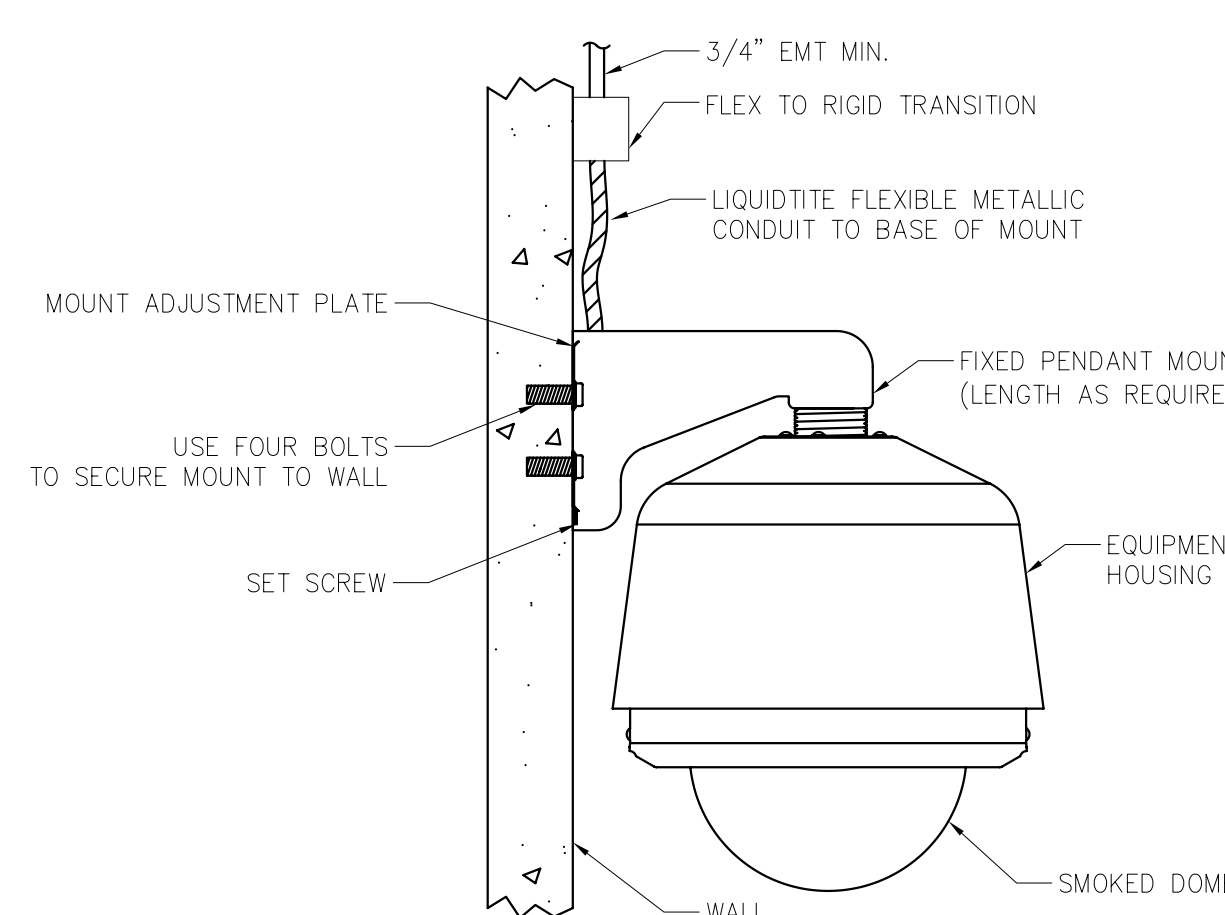
3 INDOOR CEILING MOUNT FIXED CAMERA  
SS12.20



7 INDOOR CEILING MOUNTED PTZ DOME CAMERA  
SS12.20

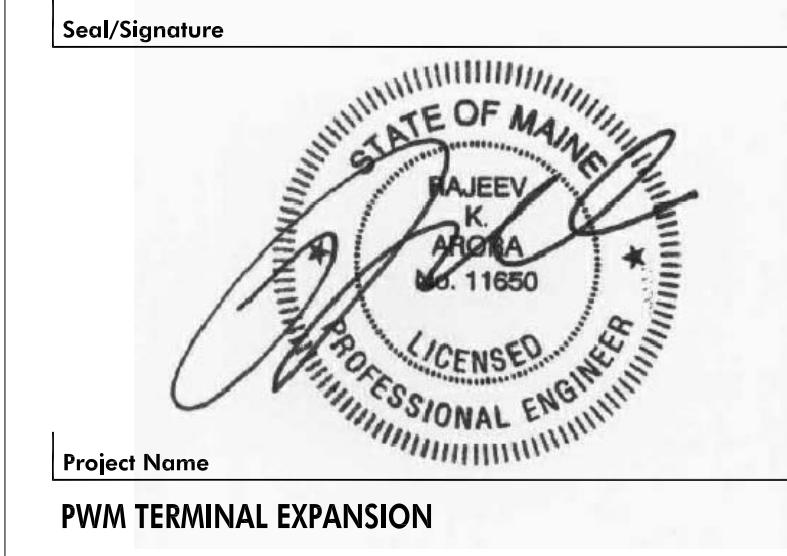


4 OUTDOOR COLUMN MOUNT FIXED CAMERA  
SS12.20



8 INDOOR/OUTDOOR WALL/COLUMN MOUNTED PTZ CAMERA  
SS12.20

Issue	Date & Issue Description	By	Check
	10/26/09		
	100% ISSUED FOR PERMIT		



Project Name  
PJM TERMINAL EXPANSION

Project Number  
SS12.20

CAD File Name  
SS12.20  
Description  
SECURITY & SURVEILLANCE  
CCTV DETAILS

Scale  
As Indicated

**SS12.20**