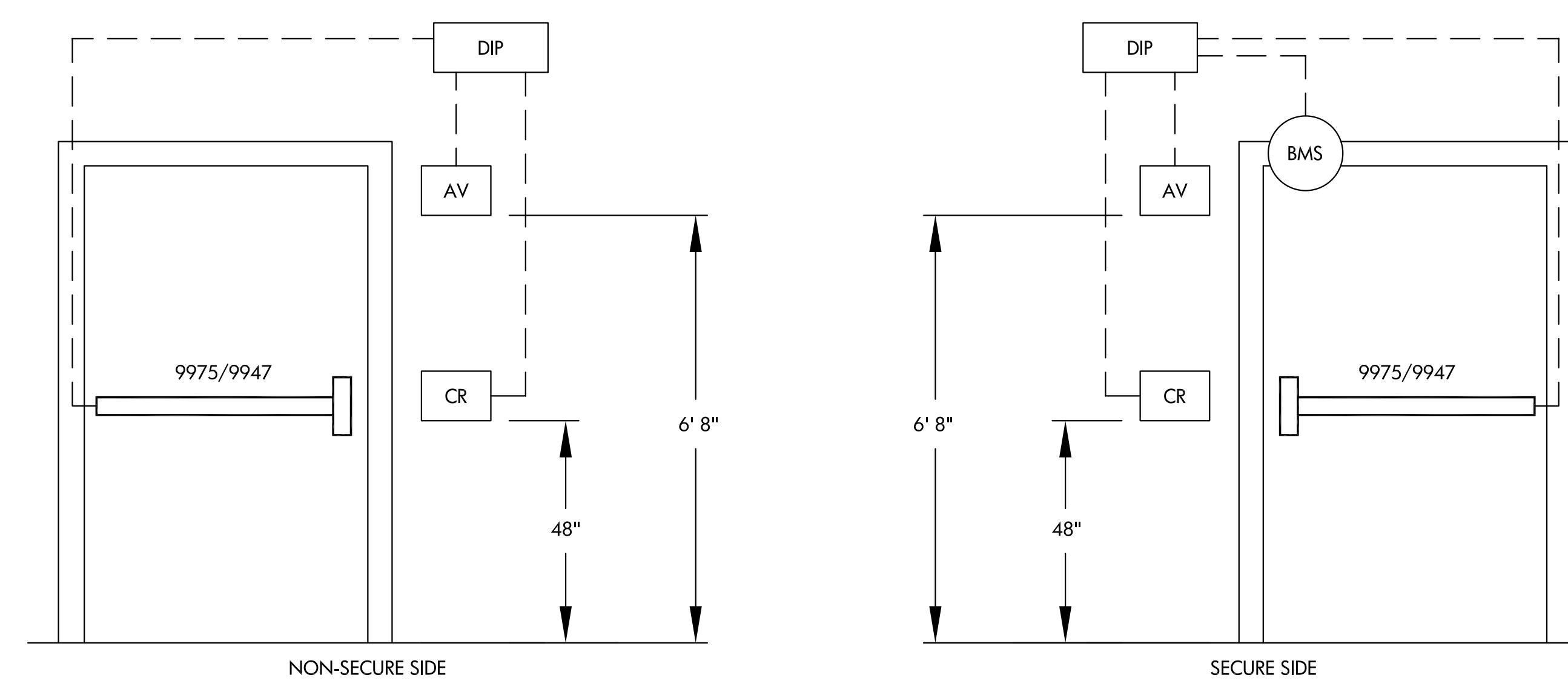
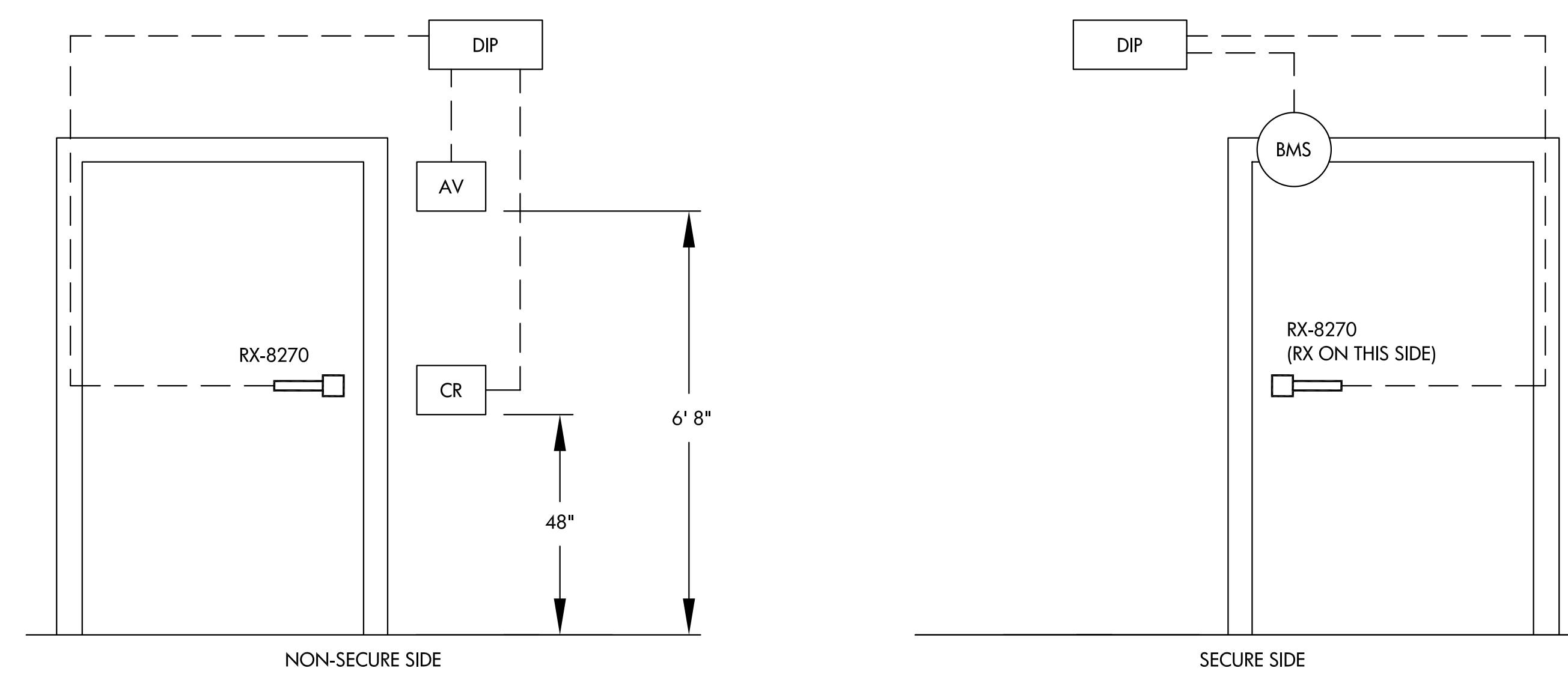


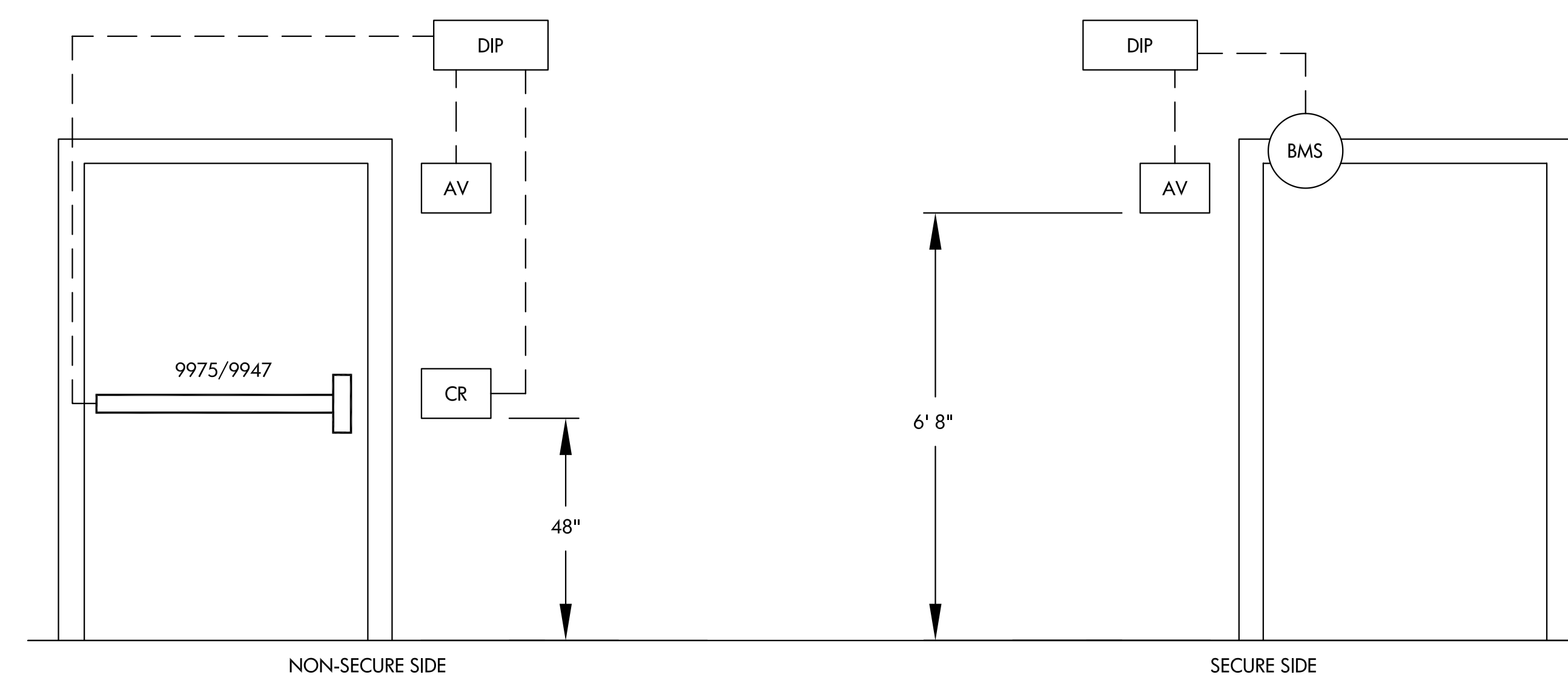
1 8270 LOCK W/ TWO CRs
SS12.00 NTS



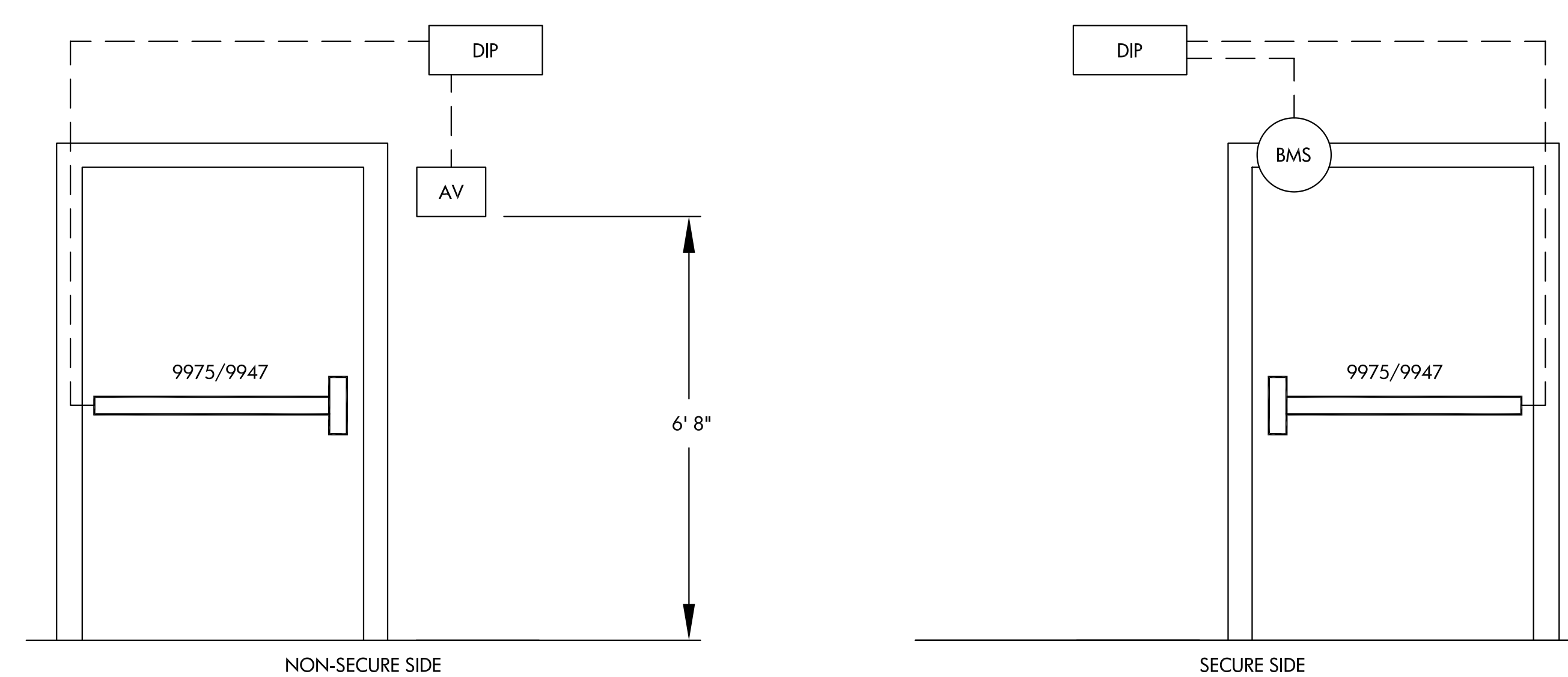
4 9975 OR 9947 LOCK W/ TWO CRs
SS12.00 NTS



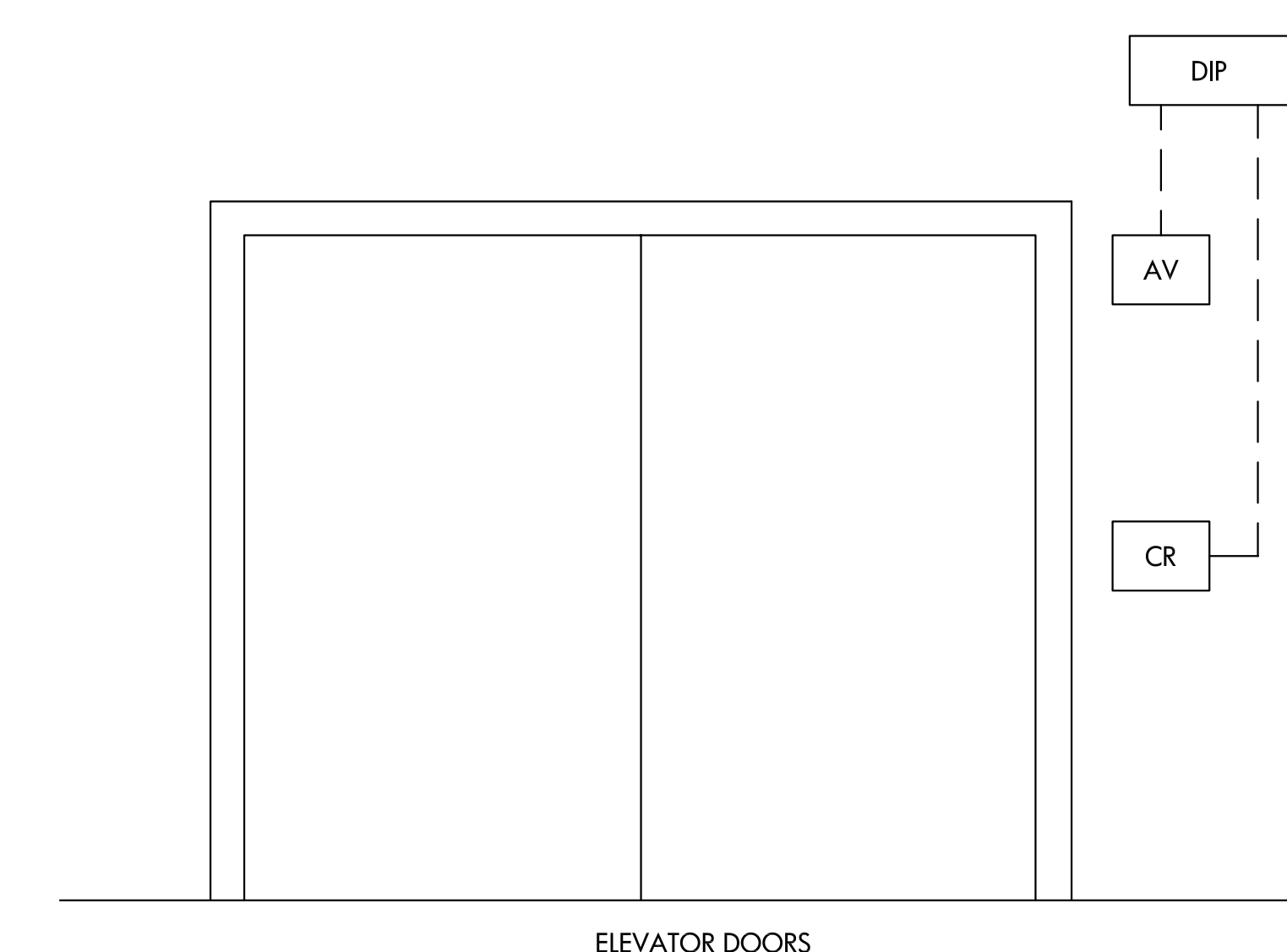
2 8270 LOCK W/ ONE CR
SS12.00 NTS



5 9975 OR 9947 LOCK W/ ONE CR
SS12.00 NTS



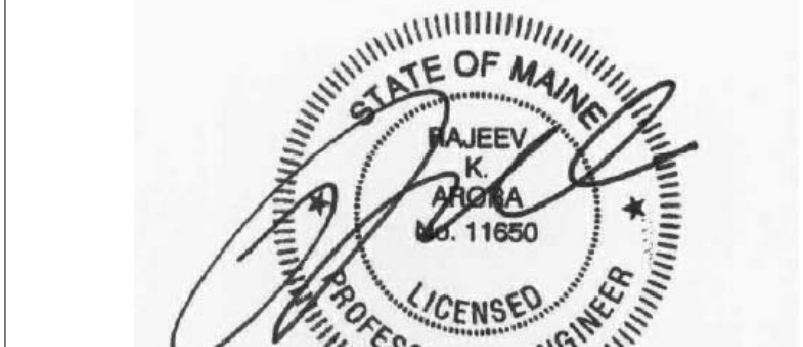
3 9975 OR 9947 LOCK W/ NO CRs
SS12.00 NTS



6 ELEVATOR #8 CALL REQUEST
SS12.00 NTS

Issue	Date & Issue Description	By	Check
	10/26/09		
	100% ISSUED FOR PERMIT		

Seal/Signature



Project Name
PWM TERMINAL EXPANSION

Project Number

CAD File Name
SS12.00

Description
SECURITY & SURVEILLANCE
SECURITY DOOR INSTALLATION DETAILS - SHEET 1

Scale
As Indicated

SS12.00

© 2006 Gensler