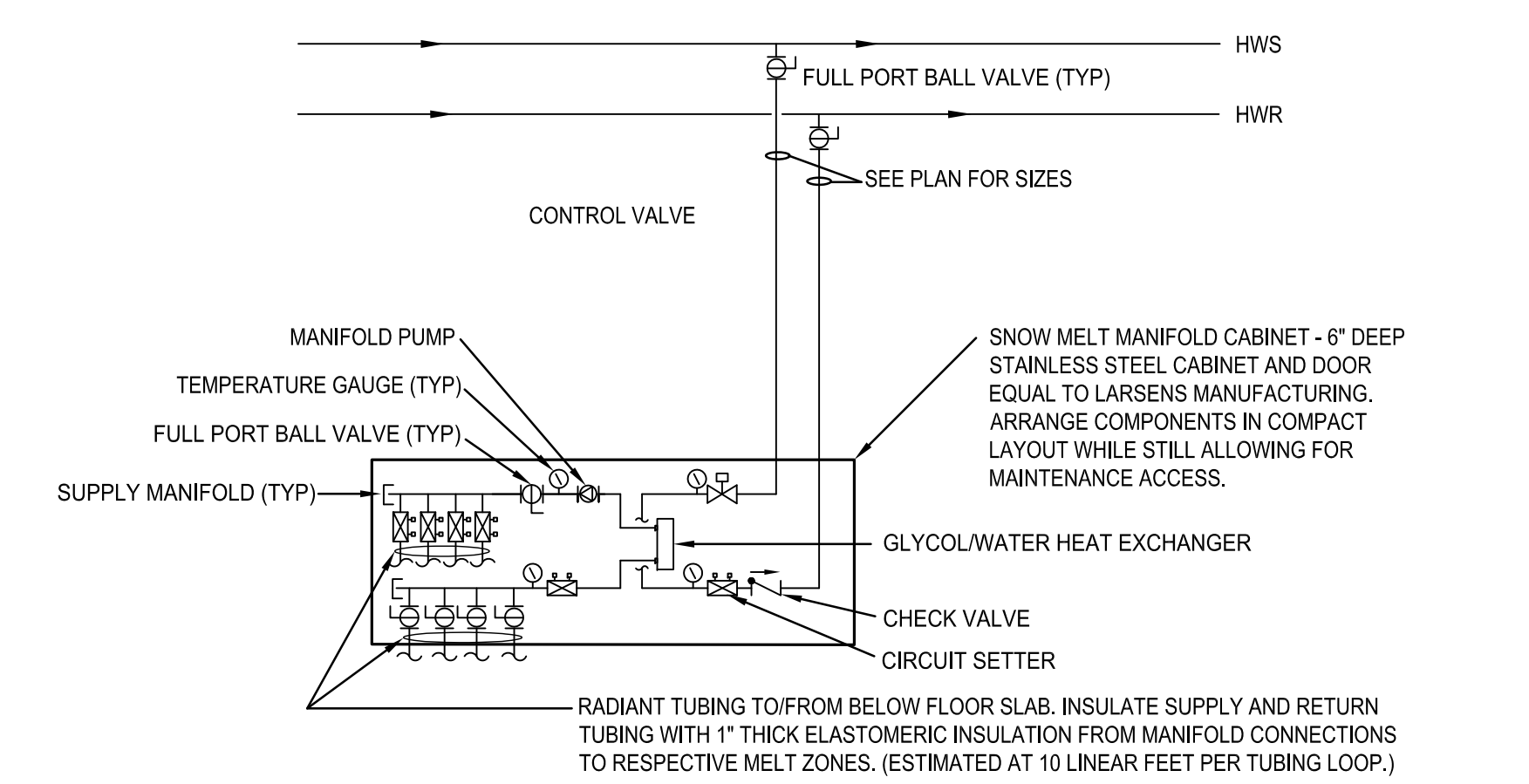


SHEET NOTES

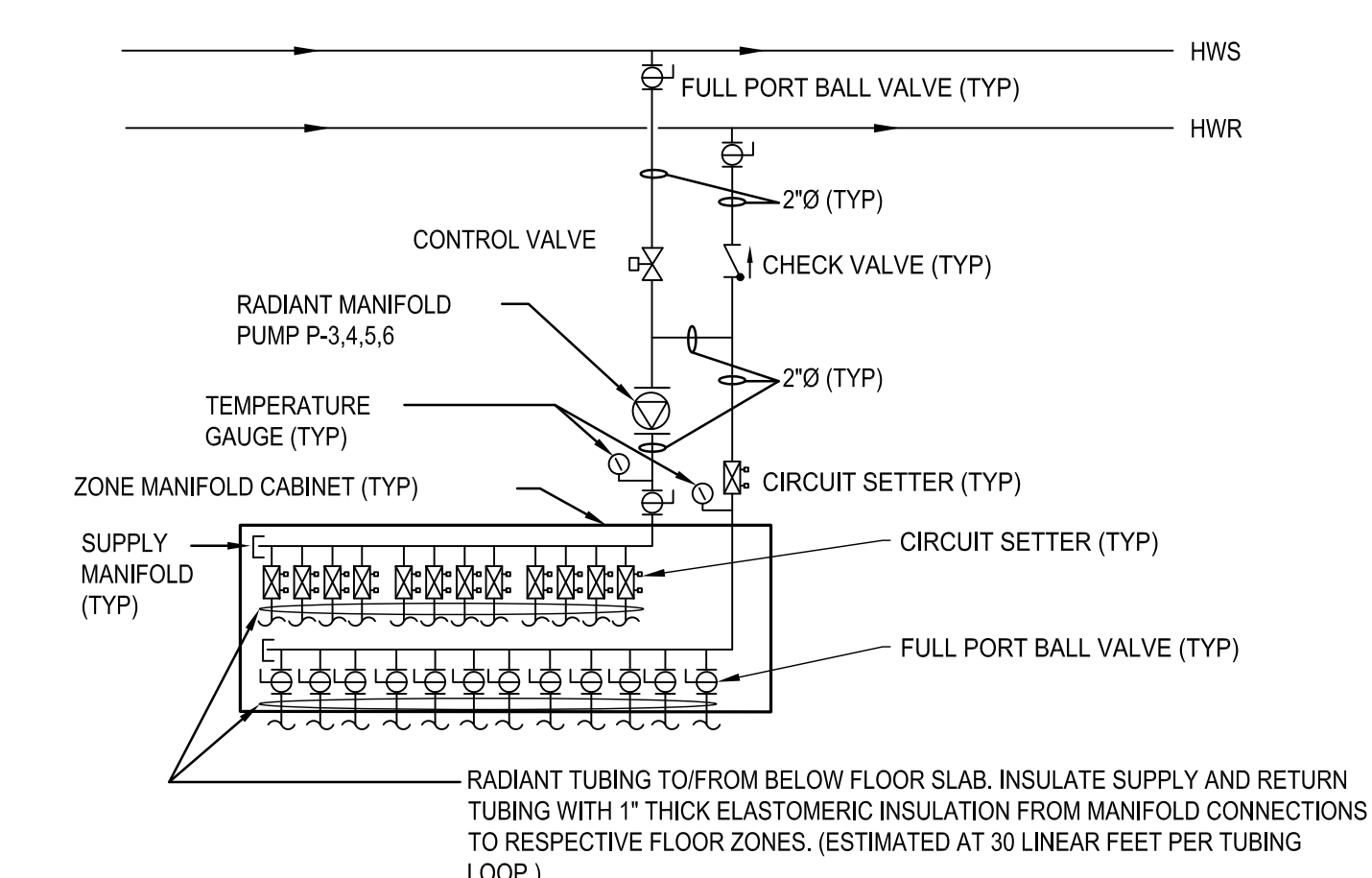
Portland International Jetport
 1001 Westbrook Street
 Portland, Maine 04102

Gensler
 2020 K Street, NW
 Suite 200
 Washington, DC 20006
 Telephone 202.721.5200
 Facsimile 202.872.8587

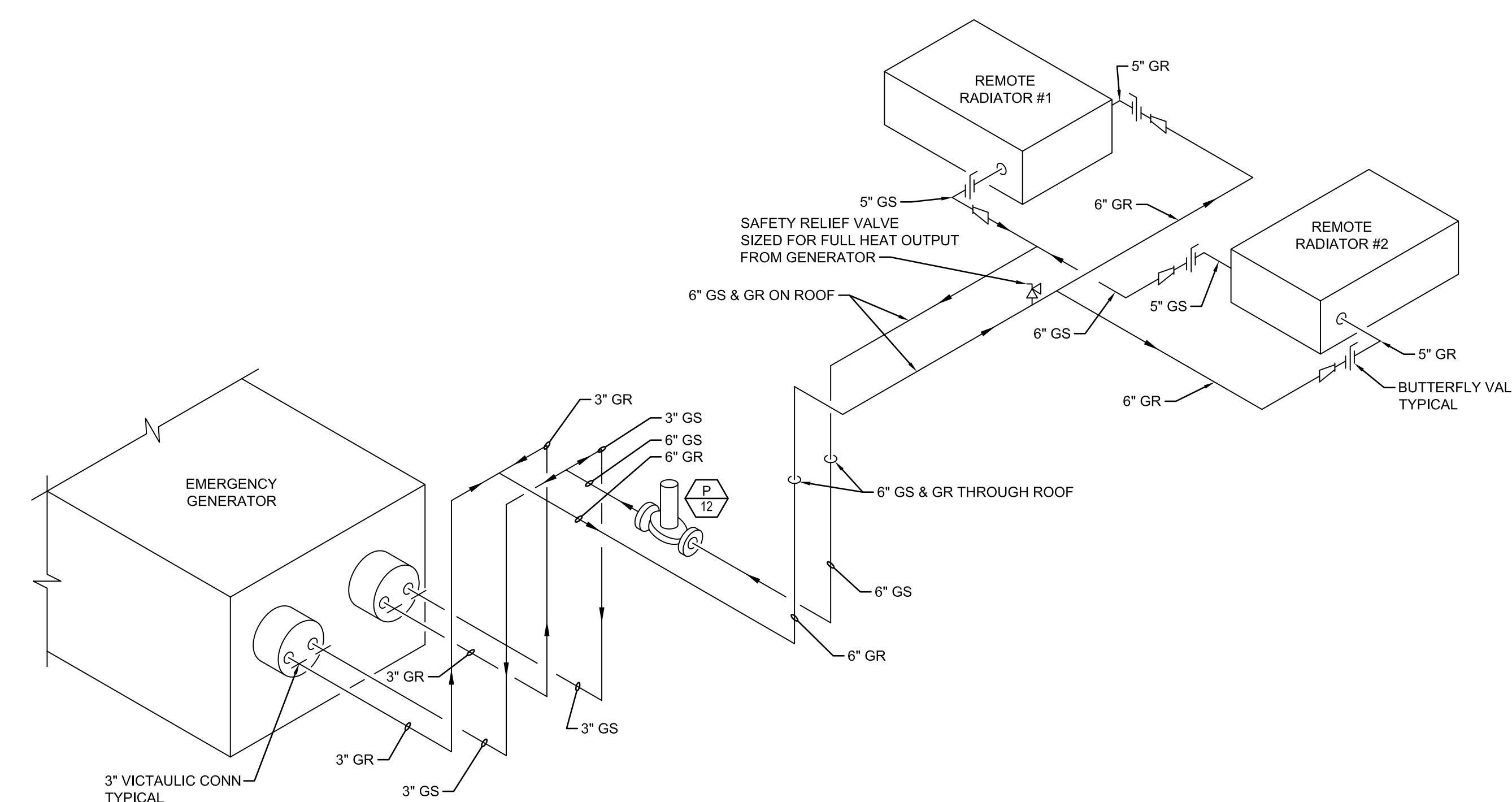
oest ASSOCIATES, INC.
 360 Goshen Road, South Portland, ME 04106 P (207) 741-1770 F (207) 774-2461 www.oest.com
 engineers • architects • surveyors • construction managers



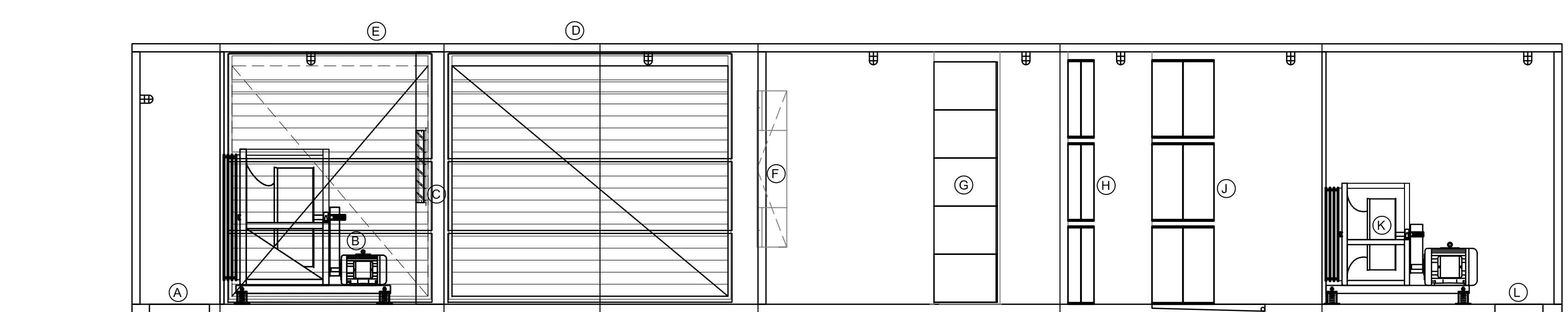
SNOW MELT MANIFOLD AND PIPING SCHEMATIC 1
 SCALE: NOT TO SCALE



RADIANT FLOOR MANIFOLD AND PIPING DETAIL 2
 SCALE: NOT TO SCALE

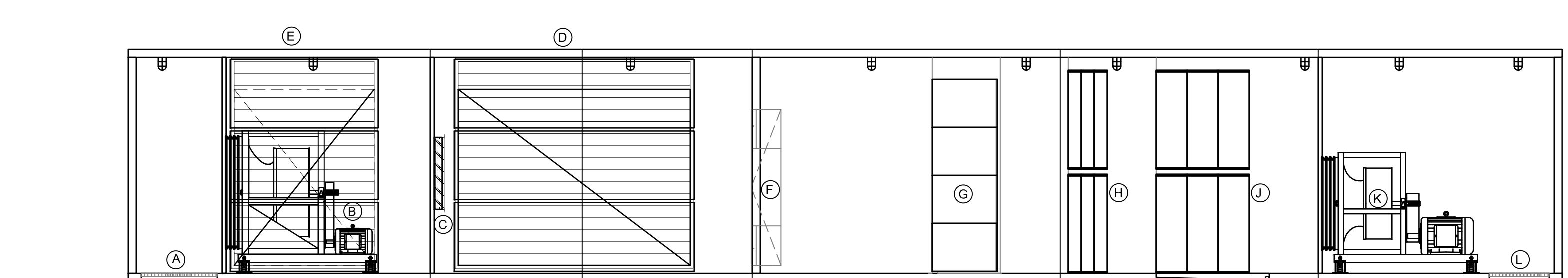


GENERATOR REMOTE RADIATOR PIPING DETAIL 3
 SCALE: NOT TO SCALE



AHU-1 UNIT CONFIGURATION ELEVATION 4
 SCALE: NOT TO SCALE

- AIR HANDLING UNIT 1 EQUIPMENT LIST**
- A RA OPENING
 - B RETURN FAN SECTION
 - C RA DAMPER - 218"W x 36"H
 - D OA DAMPER w/ Hood - 138"W x 120"H
 - E EA DAMPER w/ Hood - 98"W x 120"H
 - F BLENDER SECTION - (2) 84"H x 84"W
 - G FILTER SECTION - 30% Prefiler & Electronic Dynamic Filter
 - H HEATING COIL SECTION - (8) 37.5"H x 88"W Water Coils
 - J COOLING COIL SECTION - (8) 37.5"H x 88"W Water Coils
 - K SUPPLY FAN SECTION
 - L DA OPENING



AHU-1 UNIT CONFIGURATION ELEVATION 5
 SCALE: NOT TO SCALE

- AIR HANDLING UNIT 2 EQUIPMENT LIST**
- A RA OPENING
 - B RETURN FAN SECTION
 - C RA DAMPER - 174"W x 36"H
 - D OA DAMPER w/ Hood - 116"W x 102"H
 - E EA DAMPER w/ Hood - 78"W x 102"H
 - F BLENDER SECTION - (2) 78"H x 78"W
 - G FILTER SECTION - 2' 30% Prefiler and Electronic Dynamic Filter
 - H HEATING COIL SECTION - (8) 45"H x 70"W Water Coils
 - J COOLING COIL SECTION - (8) 45"H x 70"W Water Coils
 - K SUPPLY FAN SECTION
 - L DA OPENING

GENERAL NOTES

A SEE SHEET M00.00 FOR LEGEND AND GENERAL NOTES.

Issue	Date & Issue Description	By	Check
01	10/26/09 ISSUED FOR PERMIT	PWZ	RHB

Seal/Signature



Project Name
 P1W Terminal Enhancement
 10/26/09

Project Number
 09.6395.000
 CAD File Name
 T:\5330101\Sheets\M12.14.dwg

Description
 MECHANICAL DETAILS

Scale
 NOT TO SCALE

M12.14