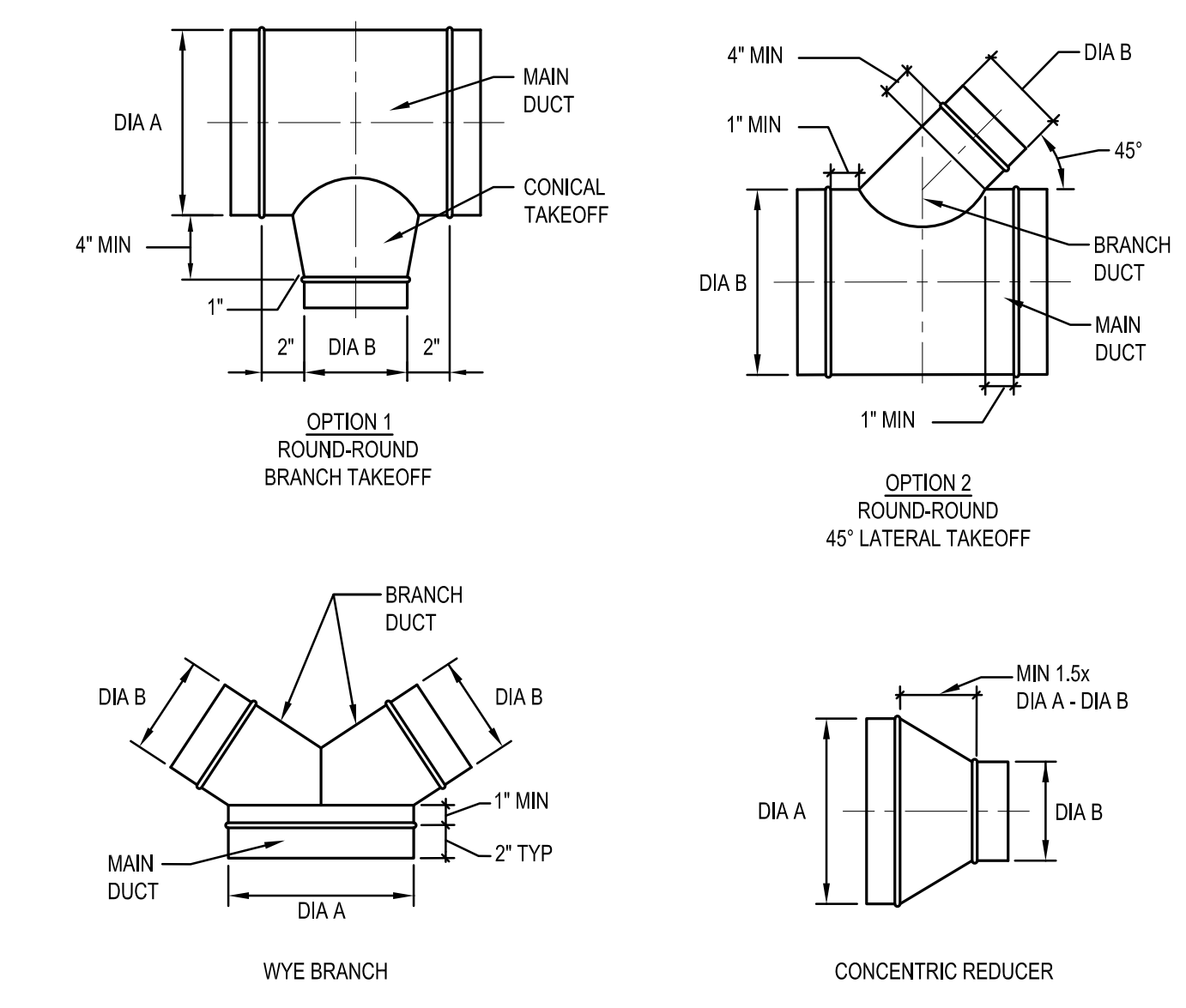


**SHEET NOTES**

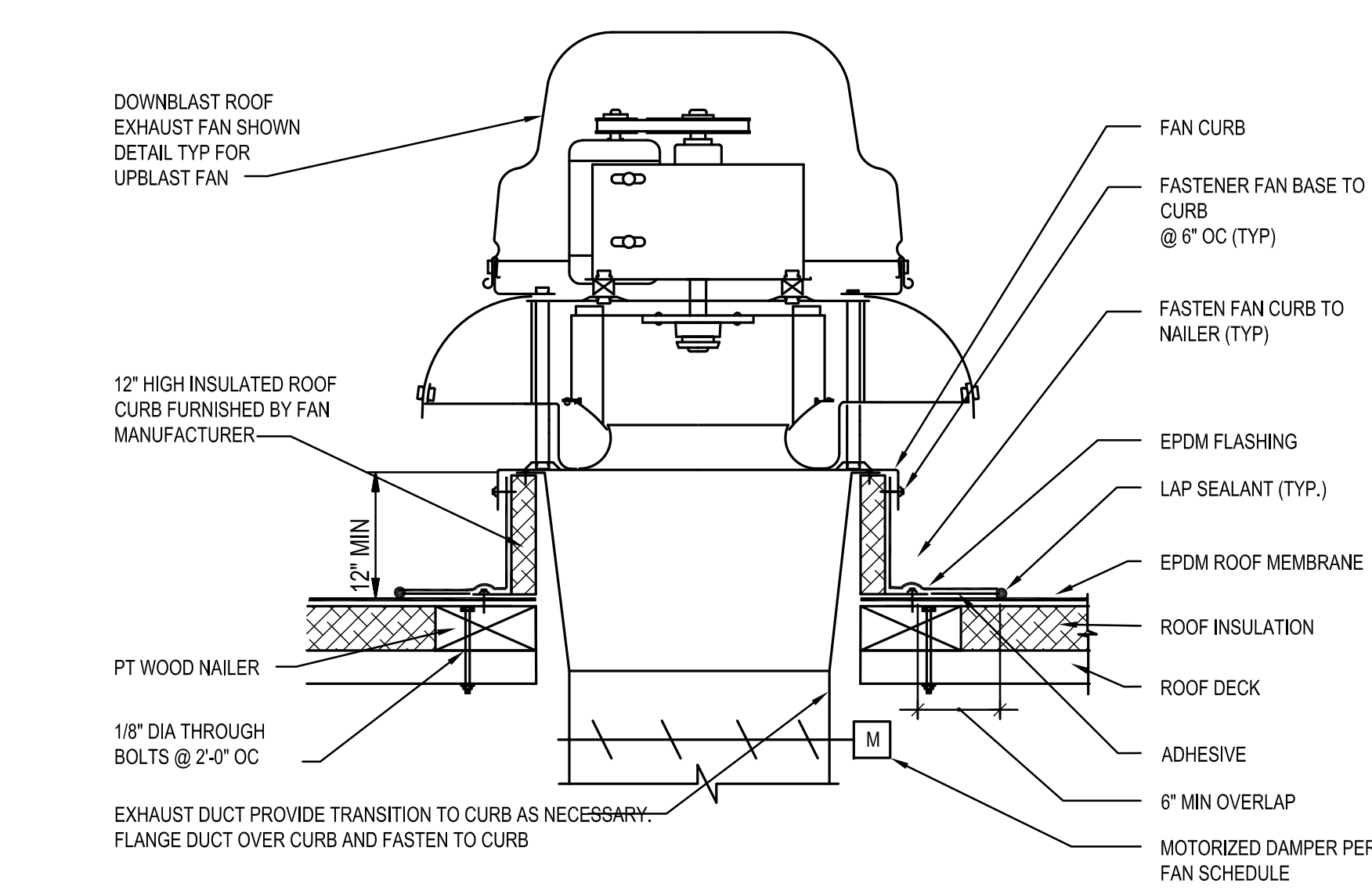
**Portland International Jetport**  
 1001 Westbrook Street  
 Portland, Maine 04102

**Gensler**  
 2020 K Street, NW  
 Suite 200  
 Washington, DC 20006  
 Telephone 202.721.5200  
 Facsimile 202.872.8587

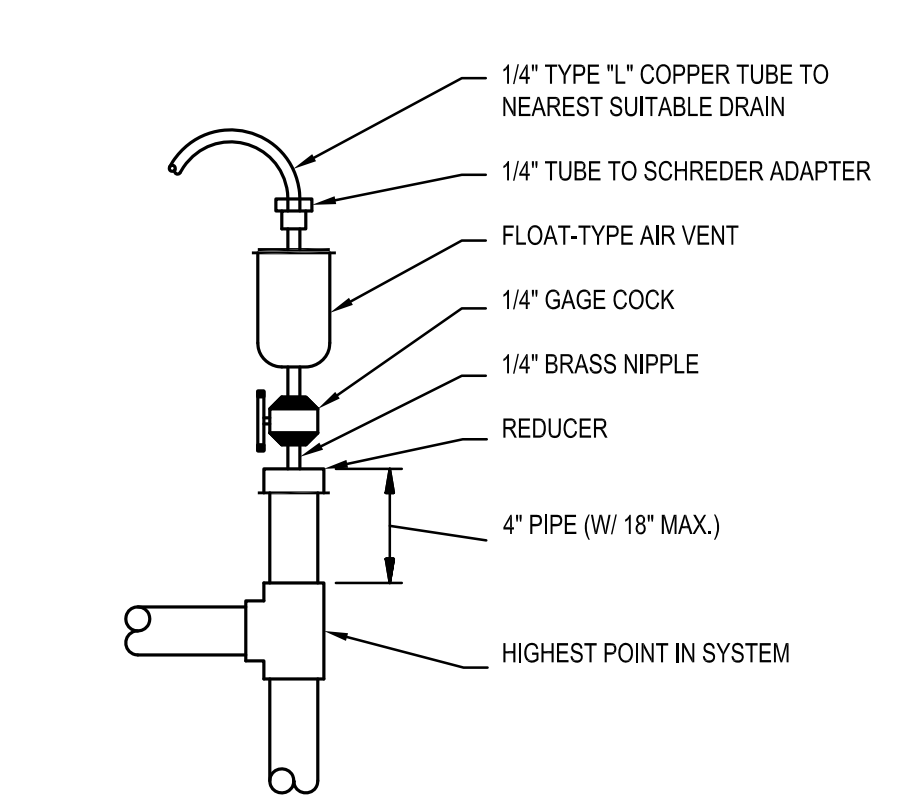
**nest ASSOCIATES, INC.**  
 360 Goffstown Road, South Portland, ME 04106 P (207) 741-1770 F (207) 774-2446 www.nest.com  
 engineers • architects • surveyors • construction managers



**DETAIL - TYPICAL ROUND DUCT FITTING**  
 SCALE: NOT TO SCALE **1**



**DETAIL - ROOF EXHAUST FAN/CURB**  
 SCALE: NOT TO SCALE **2**



**DETAIL - AUTOMATIC AIR VENT ASSEMBLY**  
 SCALE: NOT TO SCALE **3**

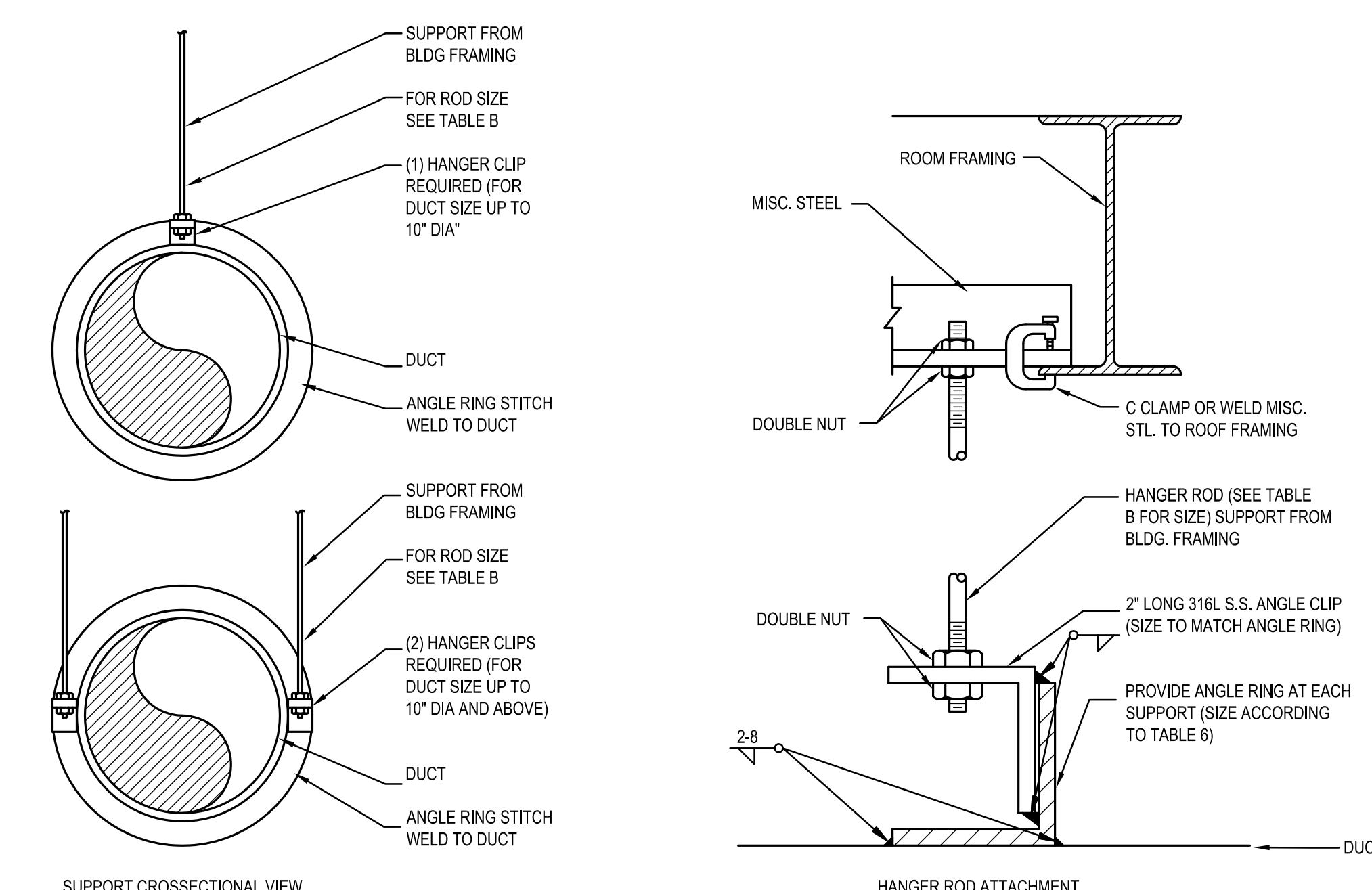
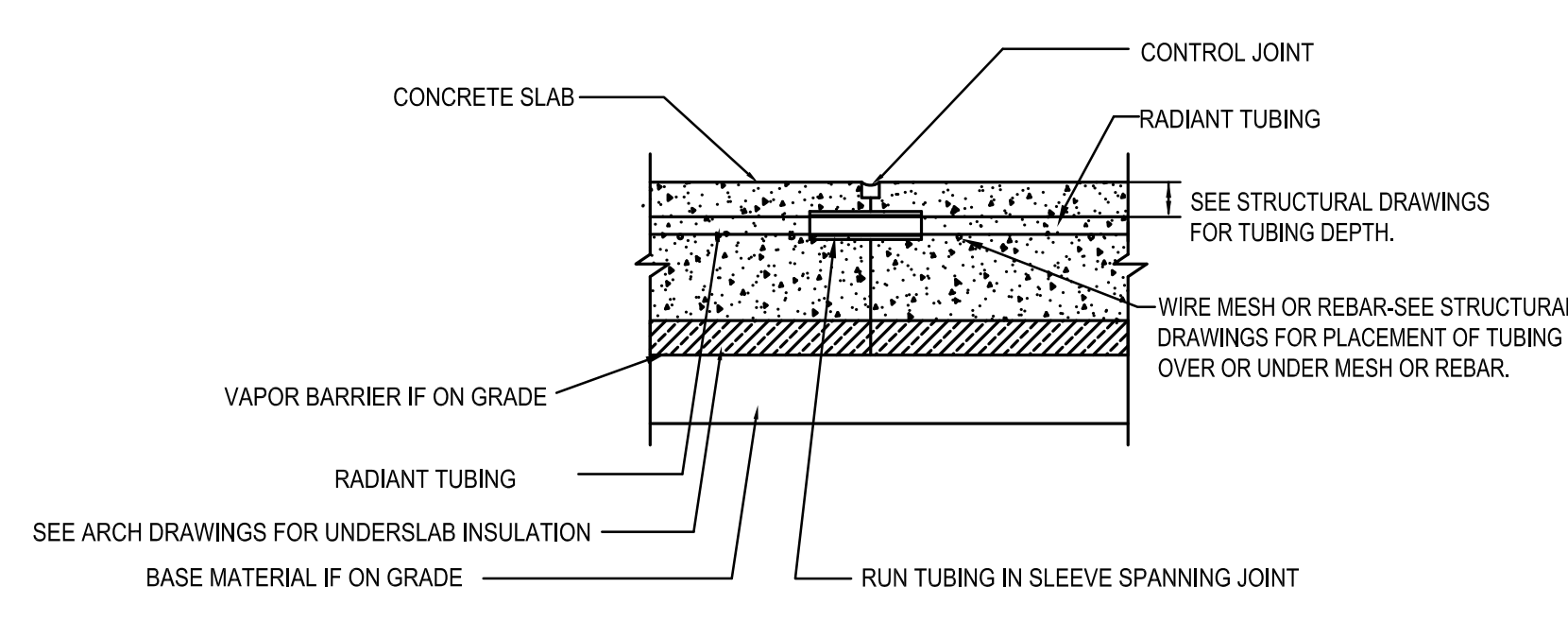


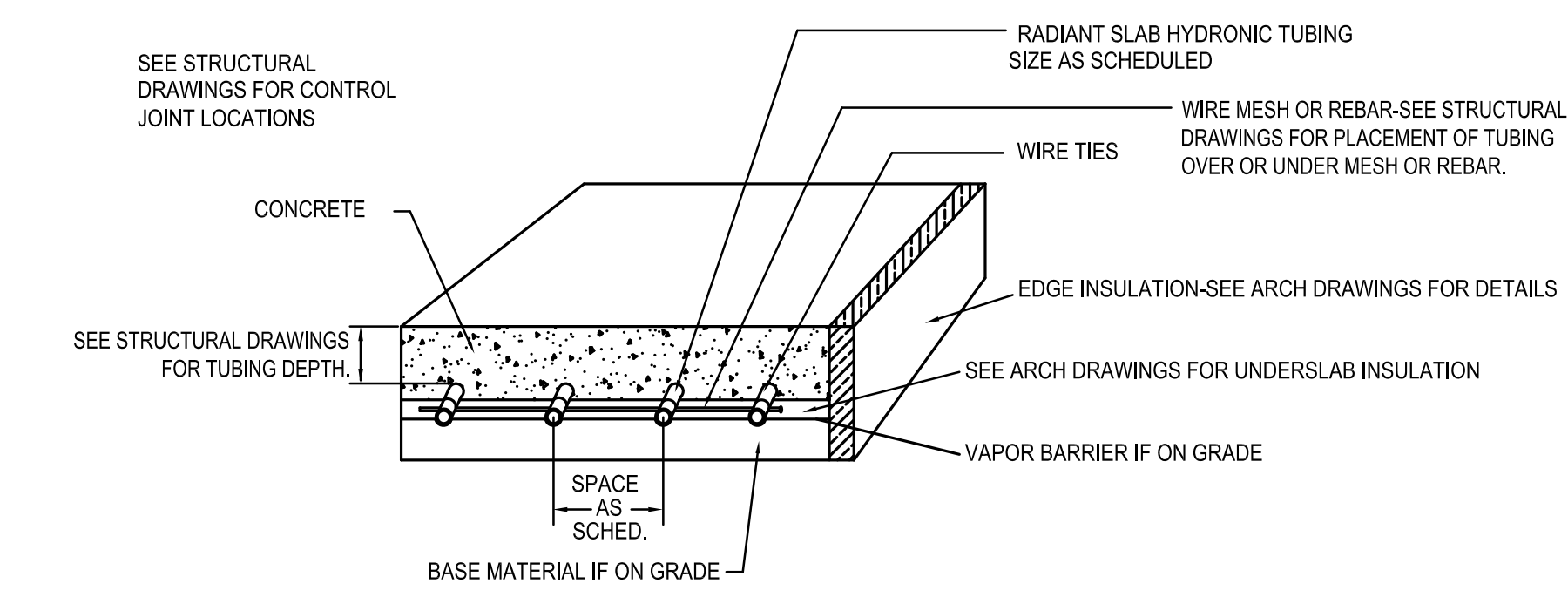
TABLE B DUCT HANGER SCHEDULE		
DUCT DIA. (IN.)	NO. OF HANGER RODS PER SUPPORT (4.0x (IN.))	RING SIZE (IN.)
THRU 10"	1-5/16"	1 1/2x1 1/2x1/8
11"-17"	2-3/8"	1 1/2x1 1/2x1/8
18"-24"	2-3/8"	1 1/2x1 1/2x1/8
25"-30"	2-3/8"	2x2x1/8

**NOTE:**  
 1. ALL HARDWARE SHALL BE 316L STAINLESS STEEL.  
 2. FOR ALL FLOOR SLABS CONTAINING RADIANT HEATING TUBING, CONTRACTOR SHALL NOT DRILL OR CUT INTO THE SLAB TOP OR BOTTOM FOR ANY EQUIPMENT, DUCTWORK OR PIPING SUPPORTS OR HANGERS. ALL HANGERS AND SUPPORTS SHALL CONNECT TO BUILDING STEEL OR SUPPLEMENTAL STEEL ATTACHED TO BUILDING STEEL. STRUCTURAL ENGINEER SHALL APPROVE ANY WELDING PROPOSED TO ATTACH SUPPORTS OR HANGERS.

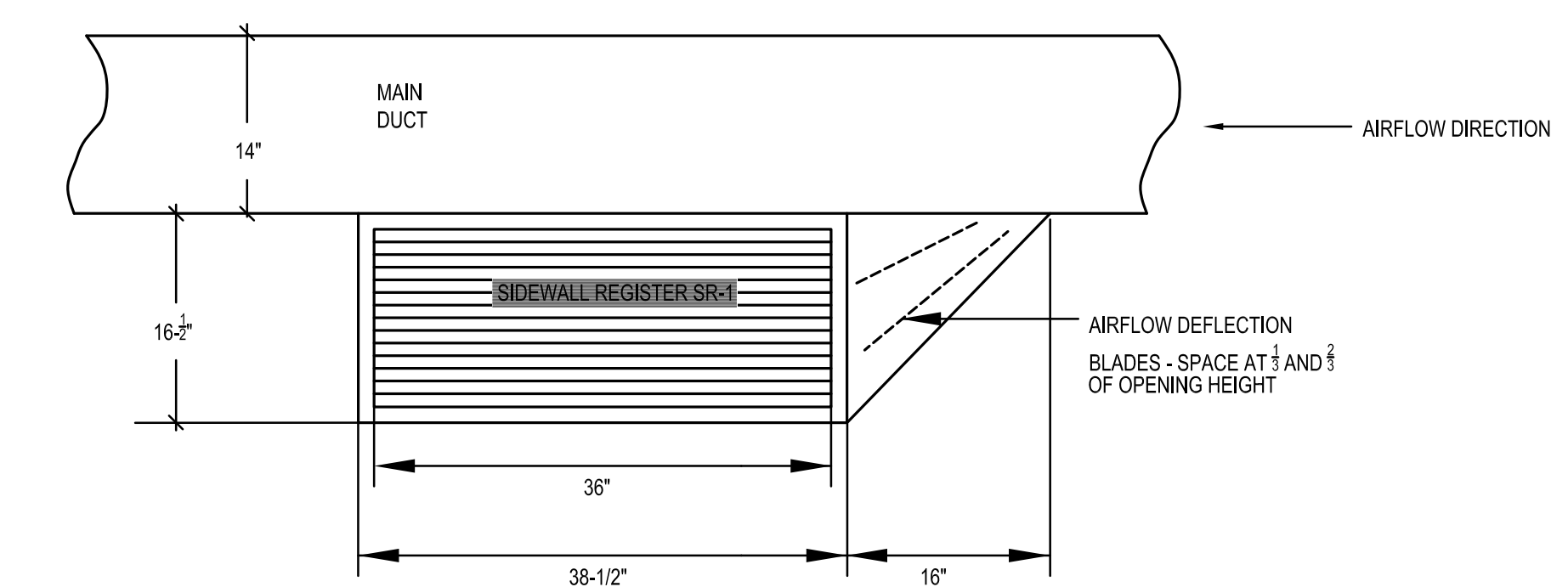
**DETAIL - ROUND DUCT HANGER**  
 SCALE: NOT TO SCALE **4**



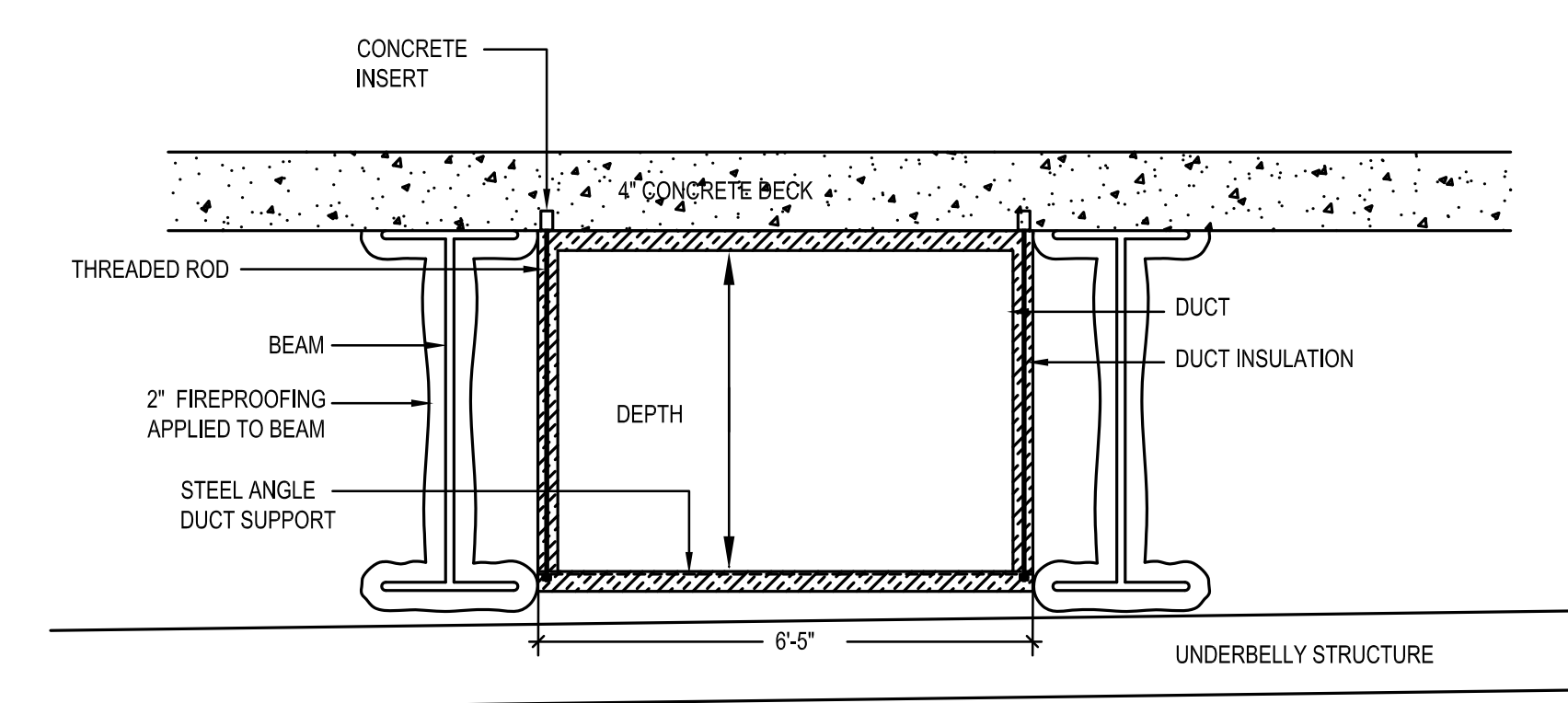
**DETAIL - RADIANT SLAB TUBING CONTROL JOINT PENETRATION DETAIL**  
 SCALE: NOT TO SCALE **9**



**DETAIL - TYPICAL RADIANT FLOOR PIPING**  
 SCALE: NOT TO SCALE **8**



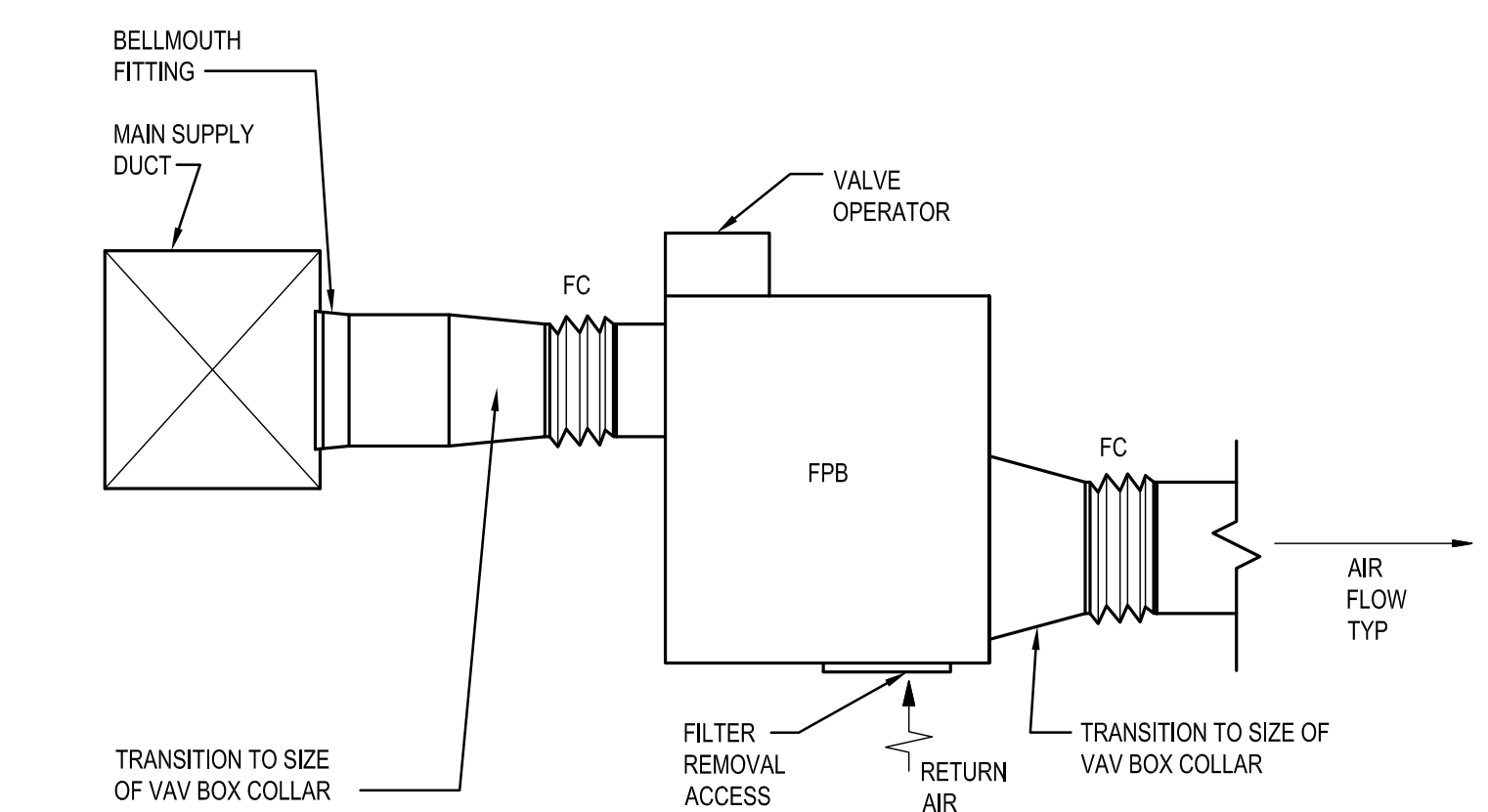
**DETAIL - SUPPLY REGISTER TAKEOFF AT BAGGAGE HANDLING**  
 SCALE: NOT TO SCALE **7**



THE UNDERBELLY IS A CONGESTED AREA AND CLEARANCES ARE EXTREMELY TIGHT. MECHANICAL CONTRACTOR SHALL REVIEW ARCHITECTURAL AND STRUCTURAL DRAWINGS AND INSTALLED WORK PRIOR TO EXECUTION OF MECHANICAL WORK. HE SHALL CLOSELY COORDINATE THE INSTALLATION OF DUCTWORK AND PIPING WITH THE STRUCTURE AND THE EQUIPMENT OF OTHER TRADES TO FIT IN THE AVAILABLE SPACE.

**NOTE:**  
 1. DUCTWORK AND SUPPORTS SHALL COMPLY WITH SMACNA HIGH PRESSURE DUCT CONSTRUCTION AND INSTALLATION STANDARDS.  
 2. UNLESS NOTED OTHERWISE, DUCT SHALL BE CONSTRUCTED FOR 10"wg PRESSURE CLASS.  
 3. PENETRATE DUCT BEFORE INSTALLING BETWEEN BEAMS.  
 4. EXERCISE CARE TO AVOID DAMAGING FIRE PROOFING.

**DETAIL - DUCT CROSS SECTION AT UNDERBELLY**  
 SCALE: NOT TO SCALE **6**



**NOTE:**  
 1. HEIGHT OF BRANCH TAKE OFF SHALL BE MINIMUM 2' LESS THAN HEIGHT OF MAIN DUCT. PROVIDE TRANSITION FROM BRANCH DUCT TO MAIN AS REQUIRED. SUBSTITUTE RECTANGULAR TO ROUND TRANSITION IN LIEU OF BELLMOUTH FITTING WHERE NECESSARY.  
 2. SECURE FLEXIBLE CONNECTORS WITH STAINLESS STEEL DRAW BANDS.

**DETAIL - VAV BOX - FAN POWERED**  
 SCALE: NOT TO SCALE **5**

**GENERAL NOTES**

A SEE SHEET M00.00 FOR LEGEND AND GENERAL NOTES.

Issue	Date & Issue Description	By	Check
01	12/03/08	PWZ	RHB
02	01/23/09	PWZ	RHB
02	10/26/09	PWZ	RHB

ISSUED FOR PERMIT

Project Name  
 PWM Terminal Enhancement

Project Number  
 09-6395-000  
 CAD File Name  
 T:5330101Sheets\M12.13.dwg  
 Description  
 MECHANICAL DETAILS

Scale  
 NOT TO SCALE

**M12.13**  
 ©2009 Gensler