

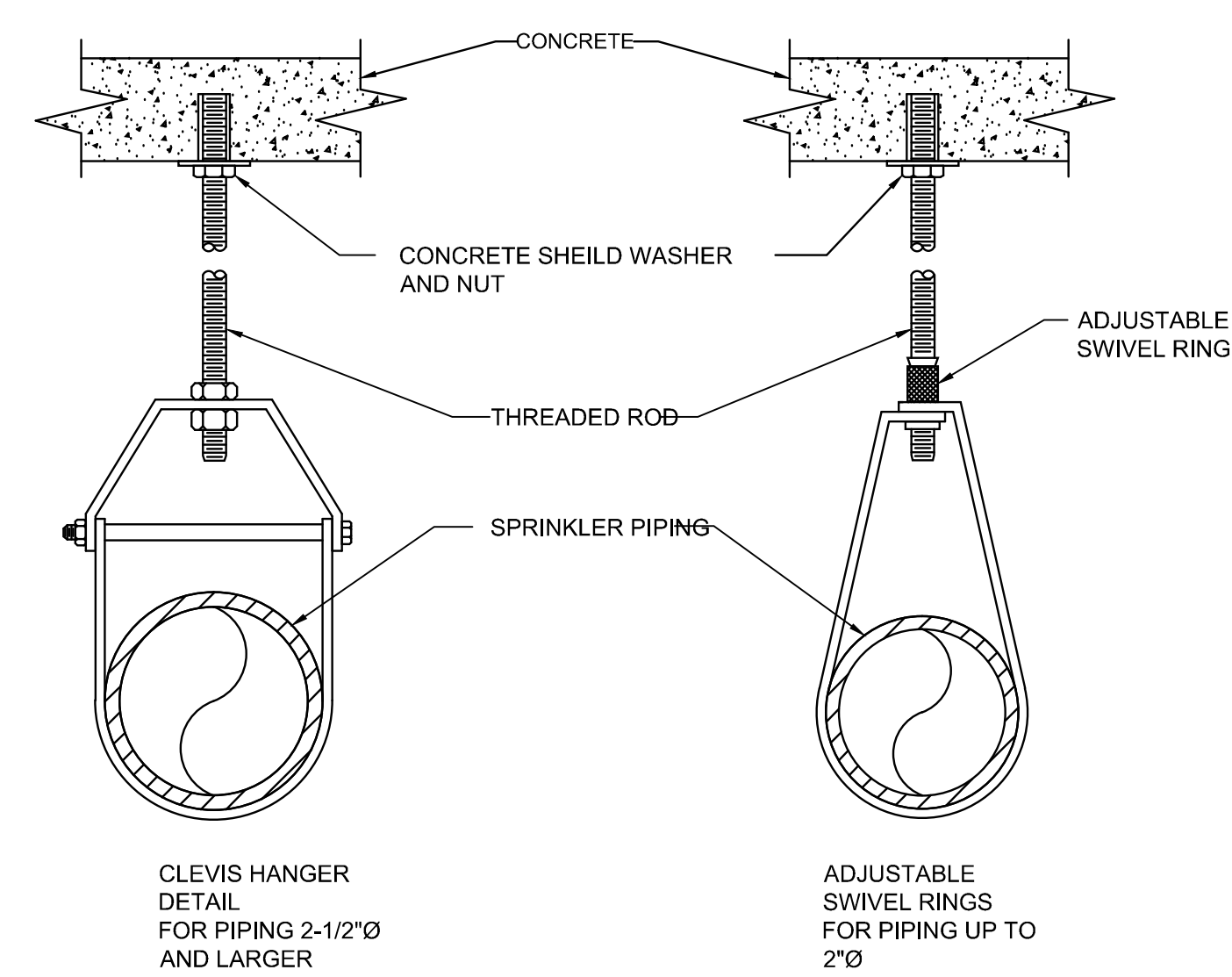
SHEET NOTES

Portland International Jetport
 1001 Westbrook Street
 Portland, Maine 04102

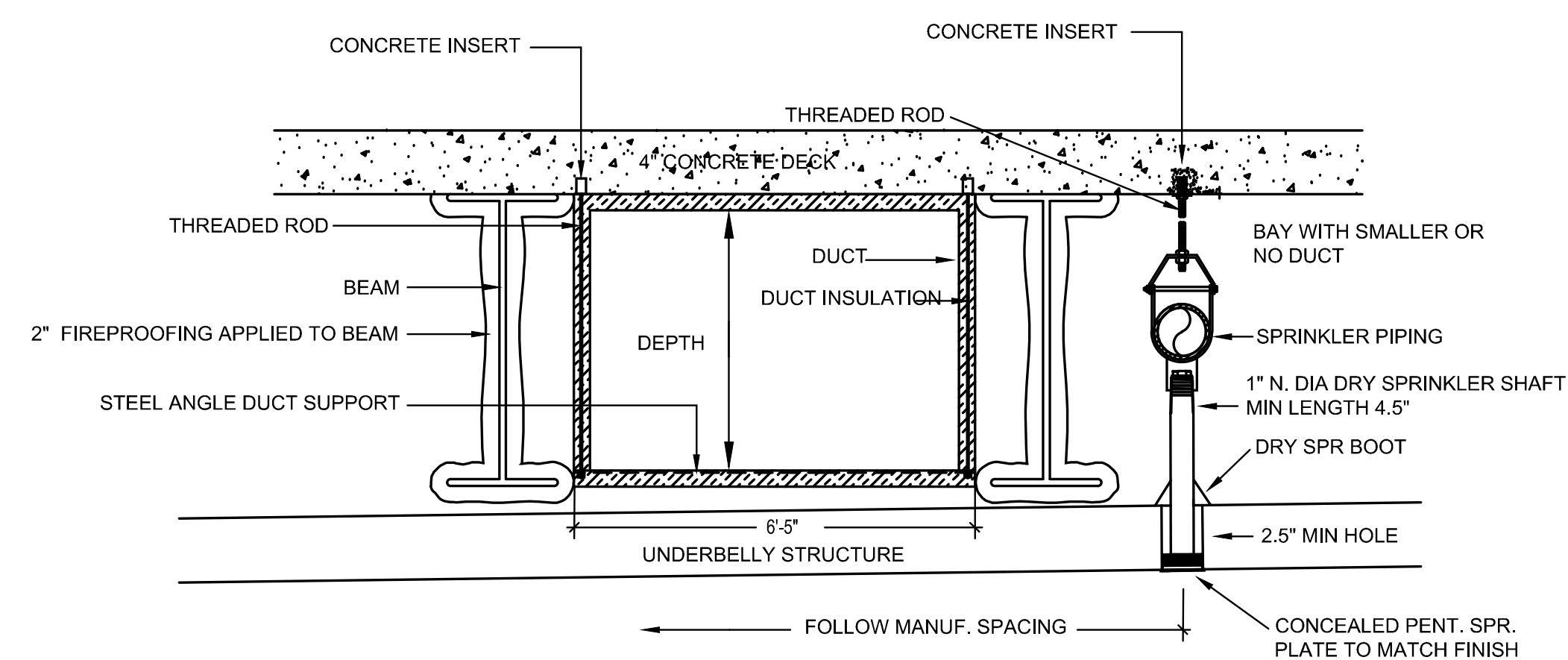
Gensler
 2020 K Street, NW
 Suite 200
 Washington, DC 20006
 Telephone 202.721.5200
 Facsimile 202.872.8587

oest ASSOCIATES, INC.
 340 Capron Road South Portland, ME 04106 P (207) 761-7770 F (207) 774-1244 www.oest.com
 engineers • architects • surveyors • construction managers

FIRE RISK MANAGEMENT, INC.
 1 First Street
 South Portland, ME 04106
 (207) 442-7200
 www.fire-risk.com



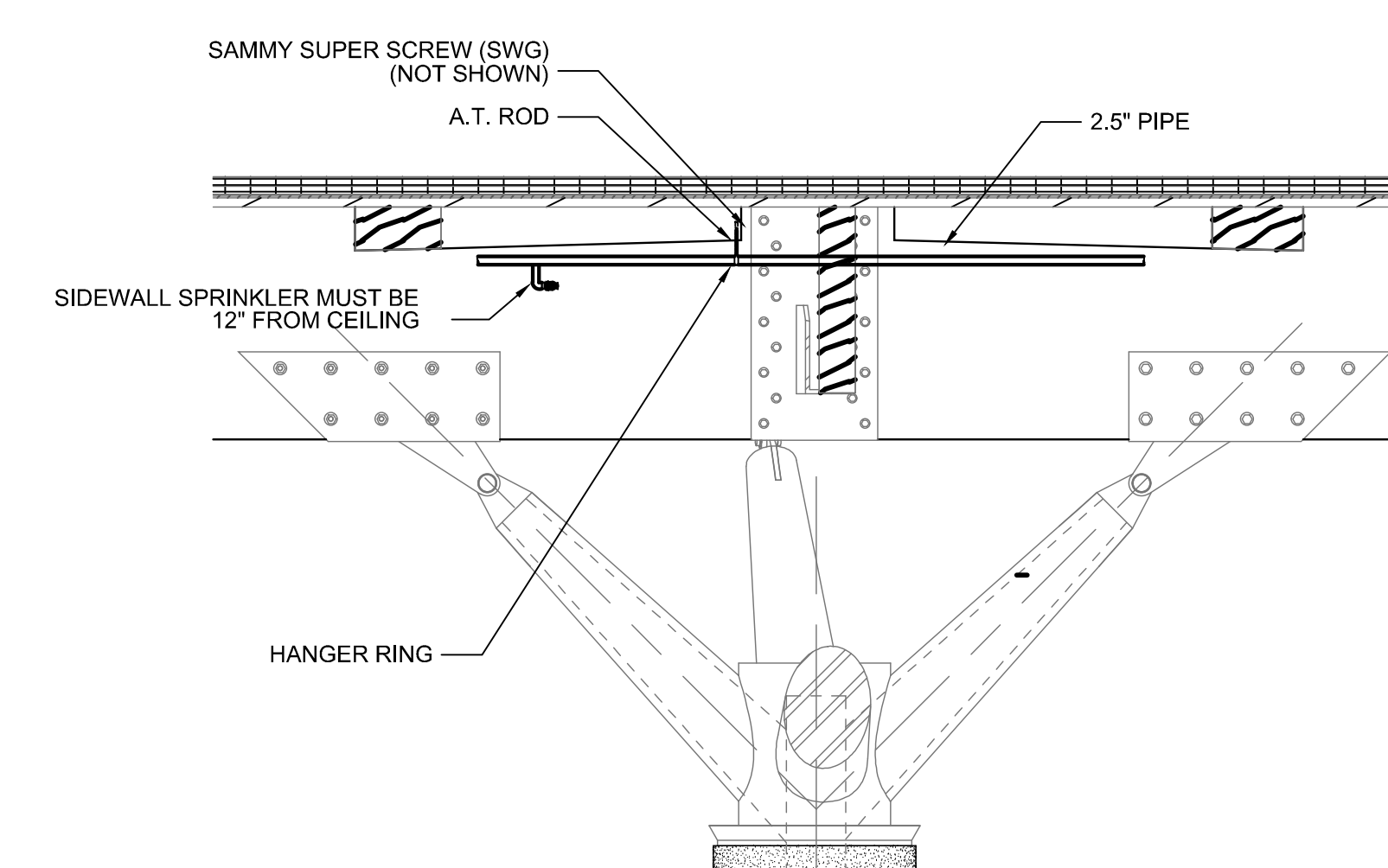
TYPICAL PIPE HANGER DETAIL
 SCALE: NTS **10**



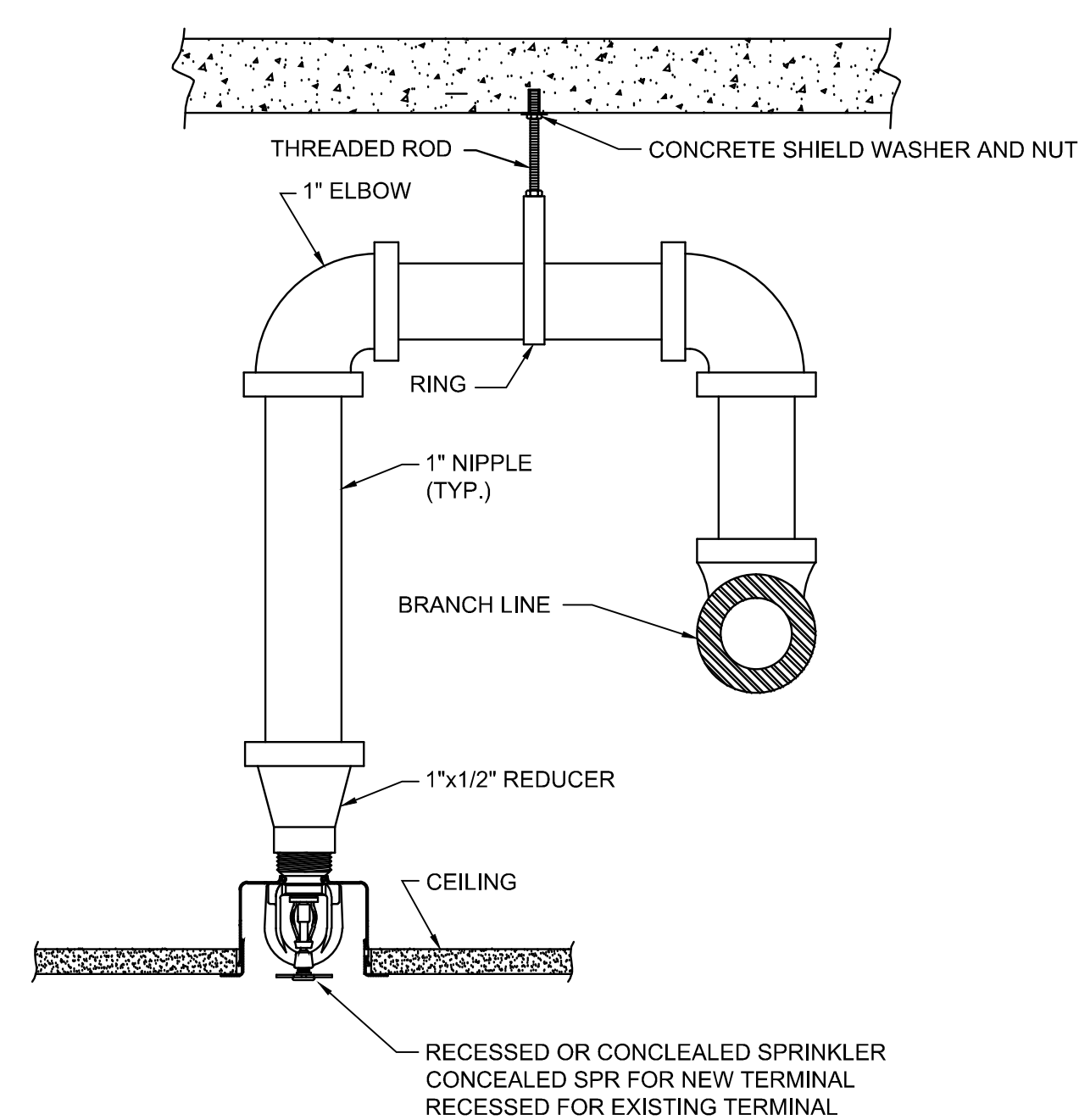
THE UNDERBELLY IS A CONGESTED AREA AND CLEARANCES ARE EXTREMELY TIGHT. FIRE PROTECTION CONTRACTOR SHALL REVIEW ARCHITECTURAL AND STRUCTURAL DRAWINGS AND INSTALLED WORK PRIOR TO EXECUTION OF MECHANICAL WORK. HE SHALL CLOSELY COORDINATE THE INSTALLATION OF PIPING & SPRINKLERS WITH THE STRUCTURE AND THE EQUIPMENT OF OTHER TRADES TO FIT IN THE AVAILABLE SPACE.

- NOTES:
1. FOLLOW MANUFACTURER'S SPECS FOR DRY-TYPE PENDANT INSTALLATION
 2. THE AIR-PRESSURE IN THE CEILING MUST NOT EXCEED THAT OF THE SPACE BELOW PER TYCO DS-C SPECS.
 3. EXERCISE CARE TO AVOID DAMAGING FIRE PROOFING.

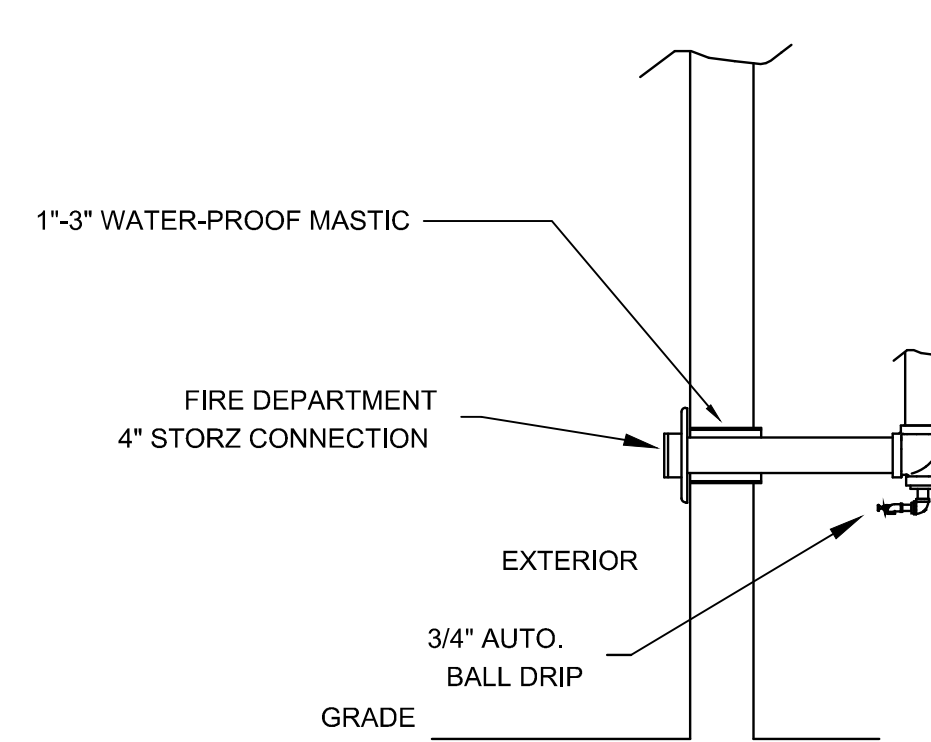
DETAIL - PIPE CROSS SECTION AT CONGESTED UNDERBELLY
 SCALE: NTS **11**



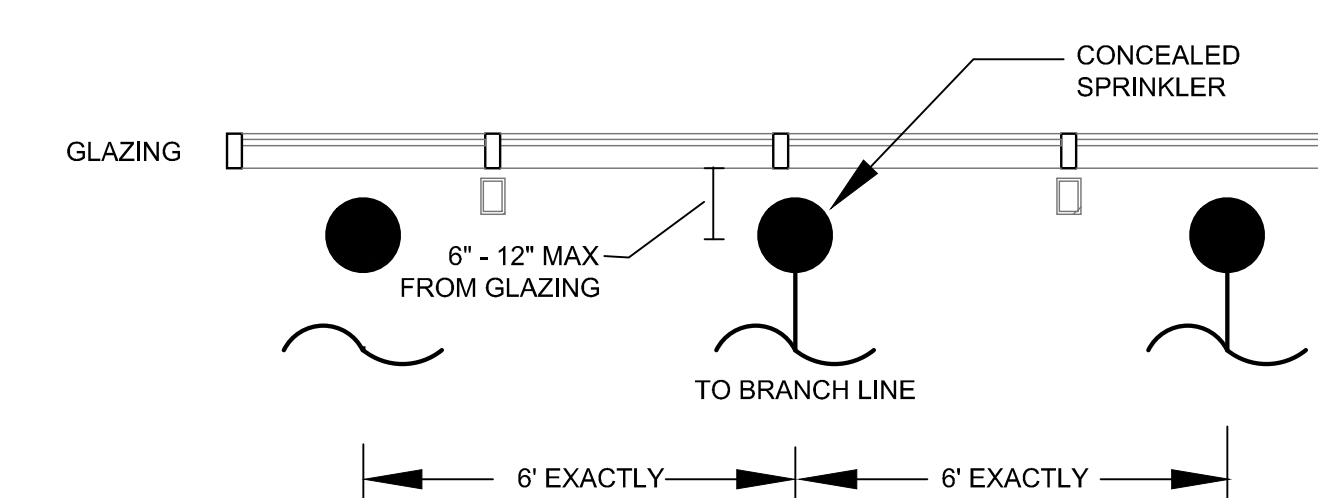
DETAIL - SPRINKLER PIPING AT TREE COLUMN
 SCALE: NTS **12**



TYPICAL "ARM OVER" DETAIL
 SCALE: NTS **7**

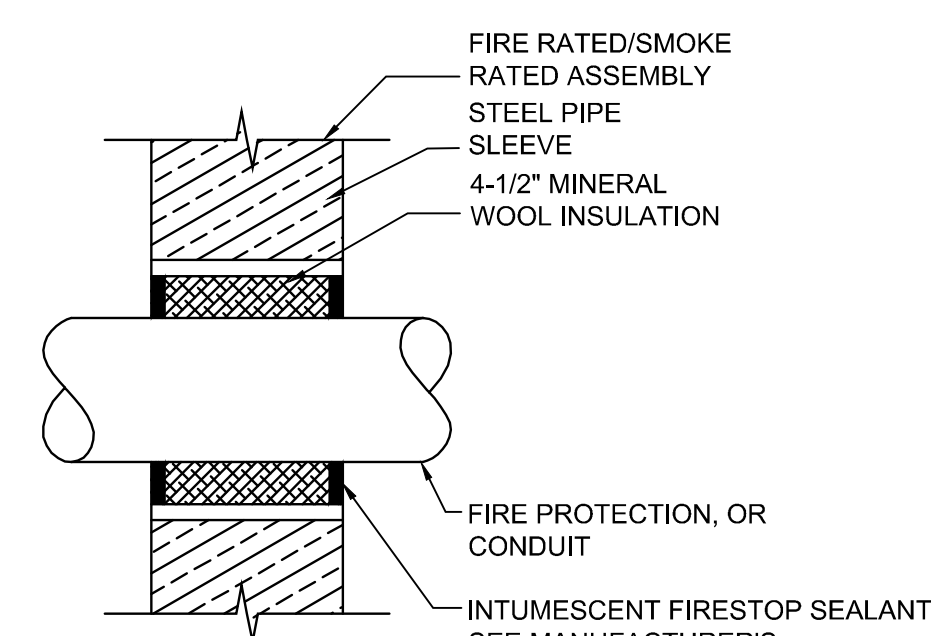


DETAIL - FIRE DEPARTMENT CONNECTION
 SCALE: NTS **8**



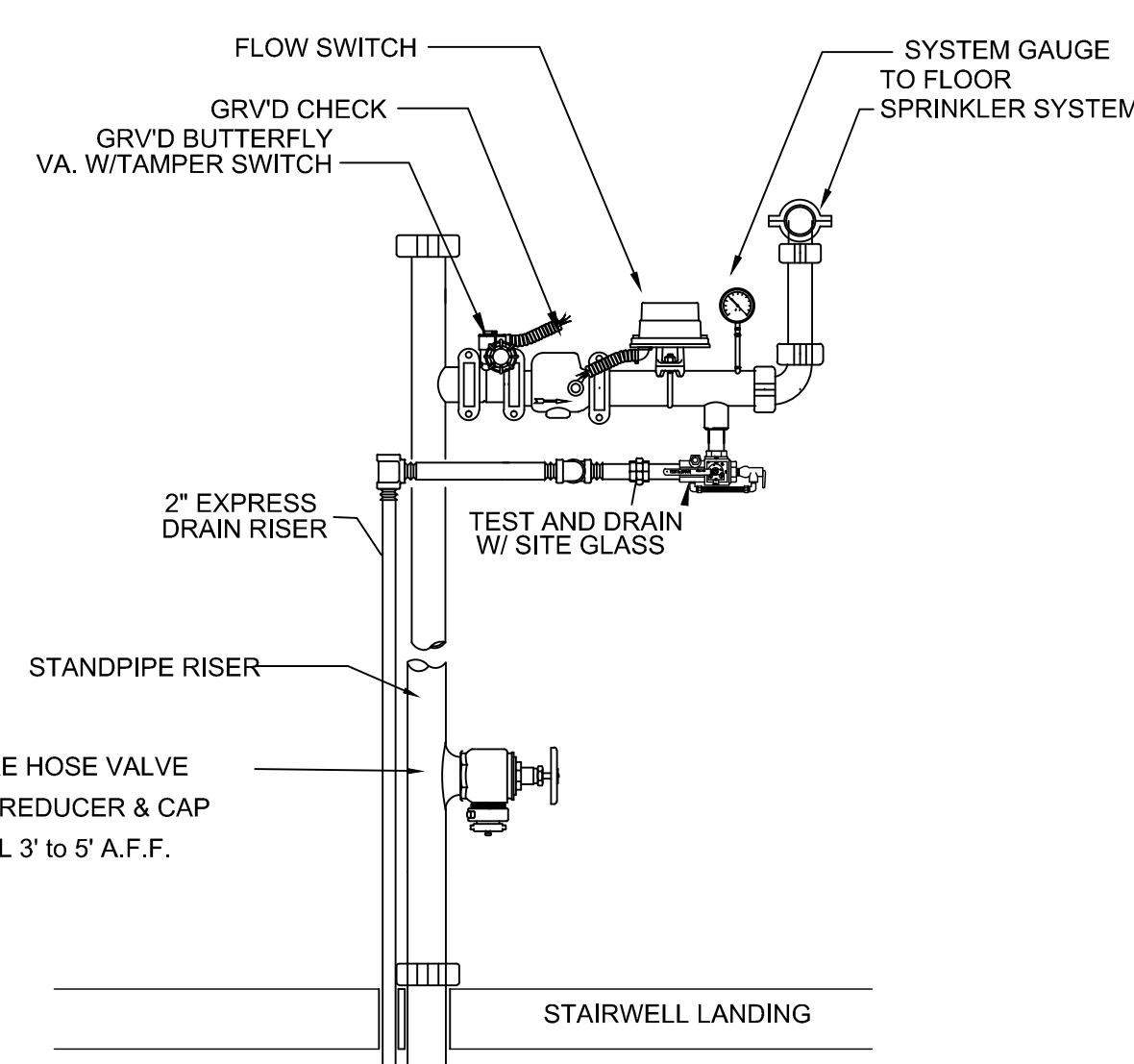
- NOTES:
1. EACH SPRINKLER SHALL PROVIDE A MINIMUM OF 18 GPM
 2. IF 6 FT. EXACT SPACING CANNOT BE MET - SPRINKLERS SHALL BE INSTALLED WITH LESS THAN 6 FT. SPACING WITH CROSS BAFFLES PER NFPA 13.

DETAIL - SPRINKLERS PROVIDING GLAZING PROTECTION
 SCALE: 3/8" = 1" **9**

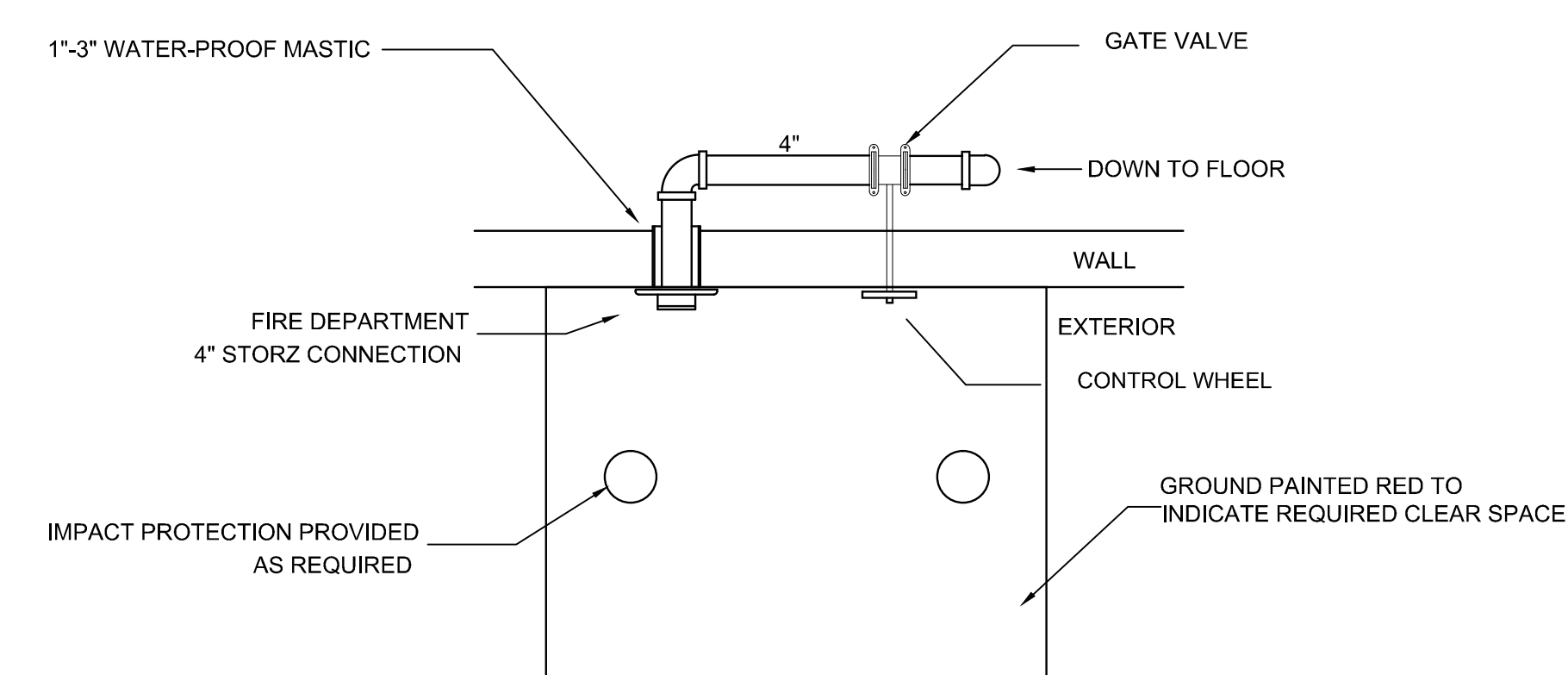


NOTE:
 FIRE STOPPING METHOD BASED ON HLT1 UL SYSTEM WL1058. REFER TO MFG LITERATURE FOR SPECIFIC PRODUCT LIMITATIONS. SUBSTITUTE OTHER UL APPROVED FIRE STOPPING METHODS, IF NECESSARY, TO MEET REQUIREMENTS OF INSTALLATION

CONDUIT/ PIPE PENETRATIONS THRU FIRE/ SMOKE RATED ASSEMBLY
 SCALE: NTS **4**



DETAIL - COMBINATION RISER W/ FDV & ZCVS (STARWELL)
 SCALE: NTS **5**



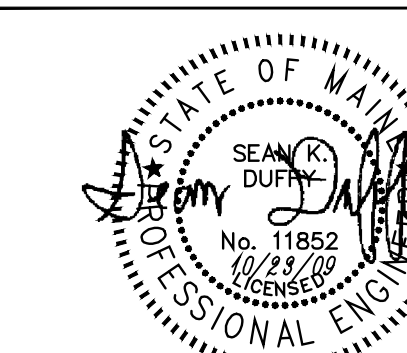
DETAIL - WALL FIRE HYDRANT
 SCALE: NTS **6**

GENERAL NOTES

A SEE SHEET FP00.01 FOR LEGEND, SCHEDULES & GENERAL NOTES.

Issue	Date & Issue Description	By	Check
01	12/03/08	SRD	WMC
02	01/23/09	MHY	JLD
03	10/26/09	RDV	JLD

Seal/Signature



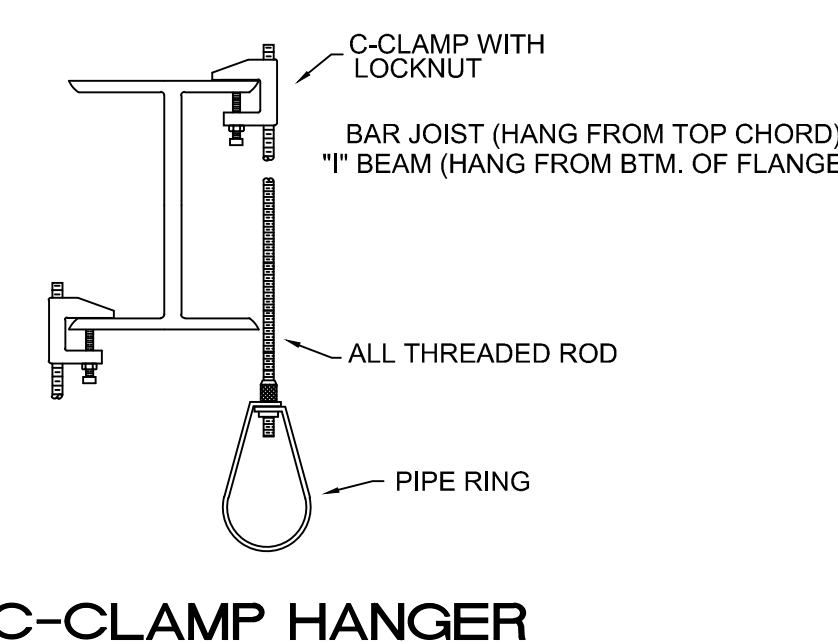
Project Name
 P/W Terminal Expansion

Project Number
 08.0395.000
 CAD File Name
 FP12.01.dwg
 Description
 FIRE PROTECTION DETAILS

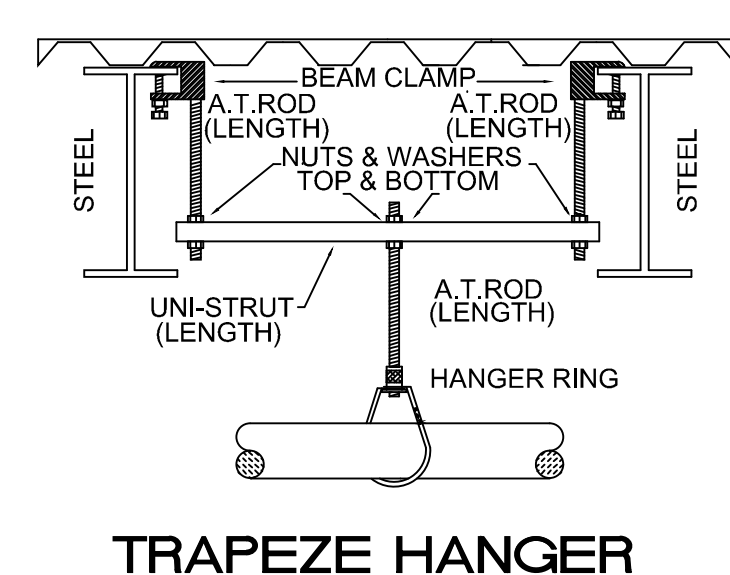
Scale
 AS NOTED

FP12.01

©2009 Gensler



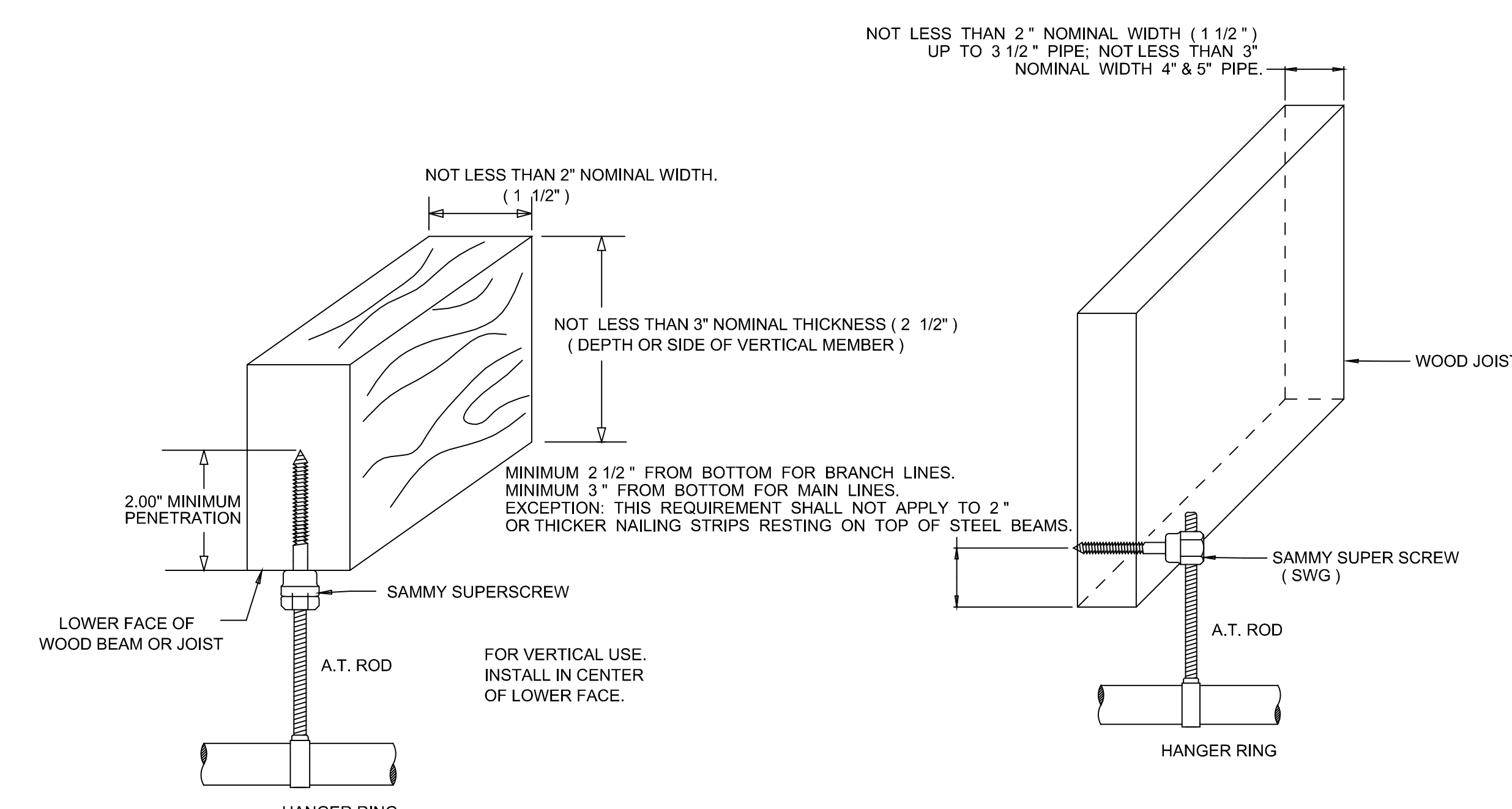
C-CLAMP HANGER



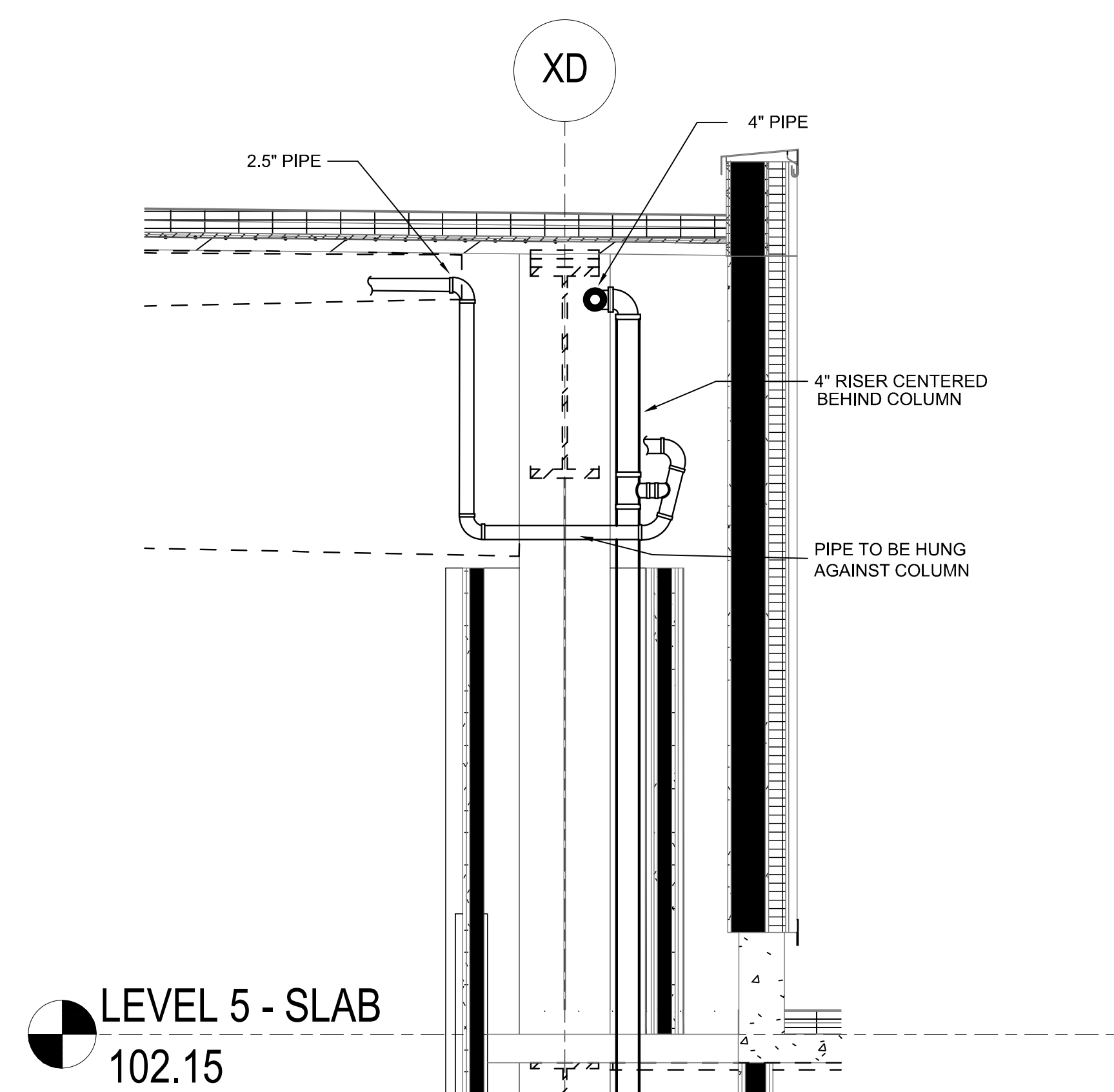
TRAPEZE HANGER

** INSTALLED AS PER NFPA 13 - (10'-0") **

PIPE HANGER DETAIL @ STEEL STRUCTURE (UNPROTECTED)
 SCALE: NTS **1**



PIPE HANGER DETAILS @ WOOD MEMBERS
 SCALE: NTS **2**



4 INCH MAIN SPRINKLER RUN ON 5TH FLOOR
 SCALE: NTS **3**