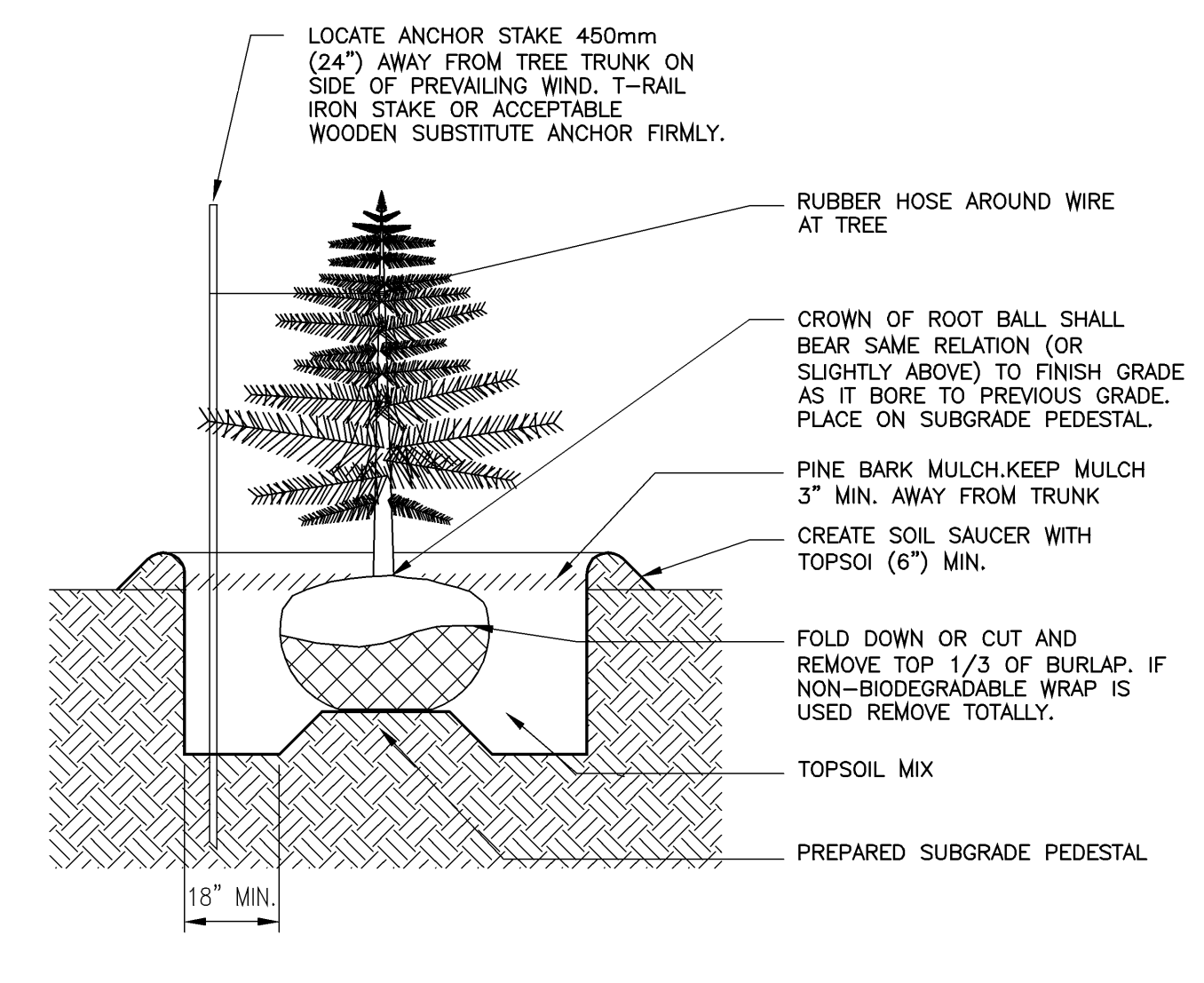
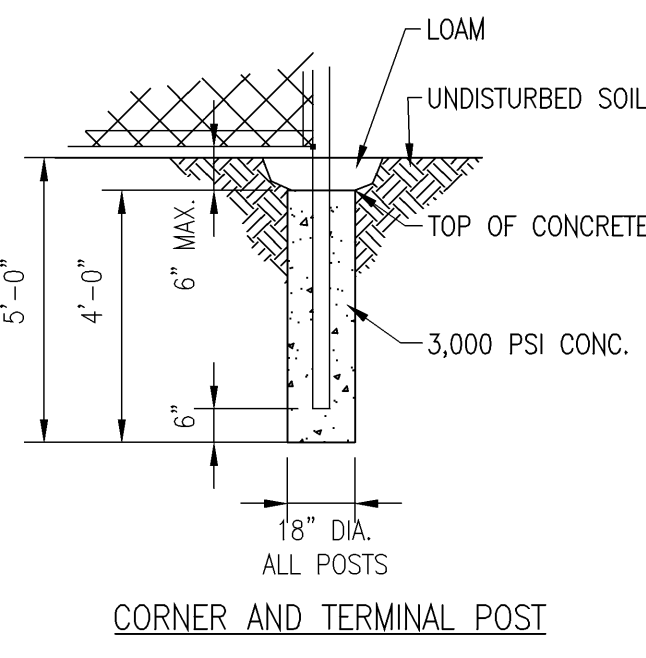
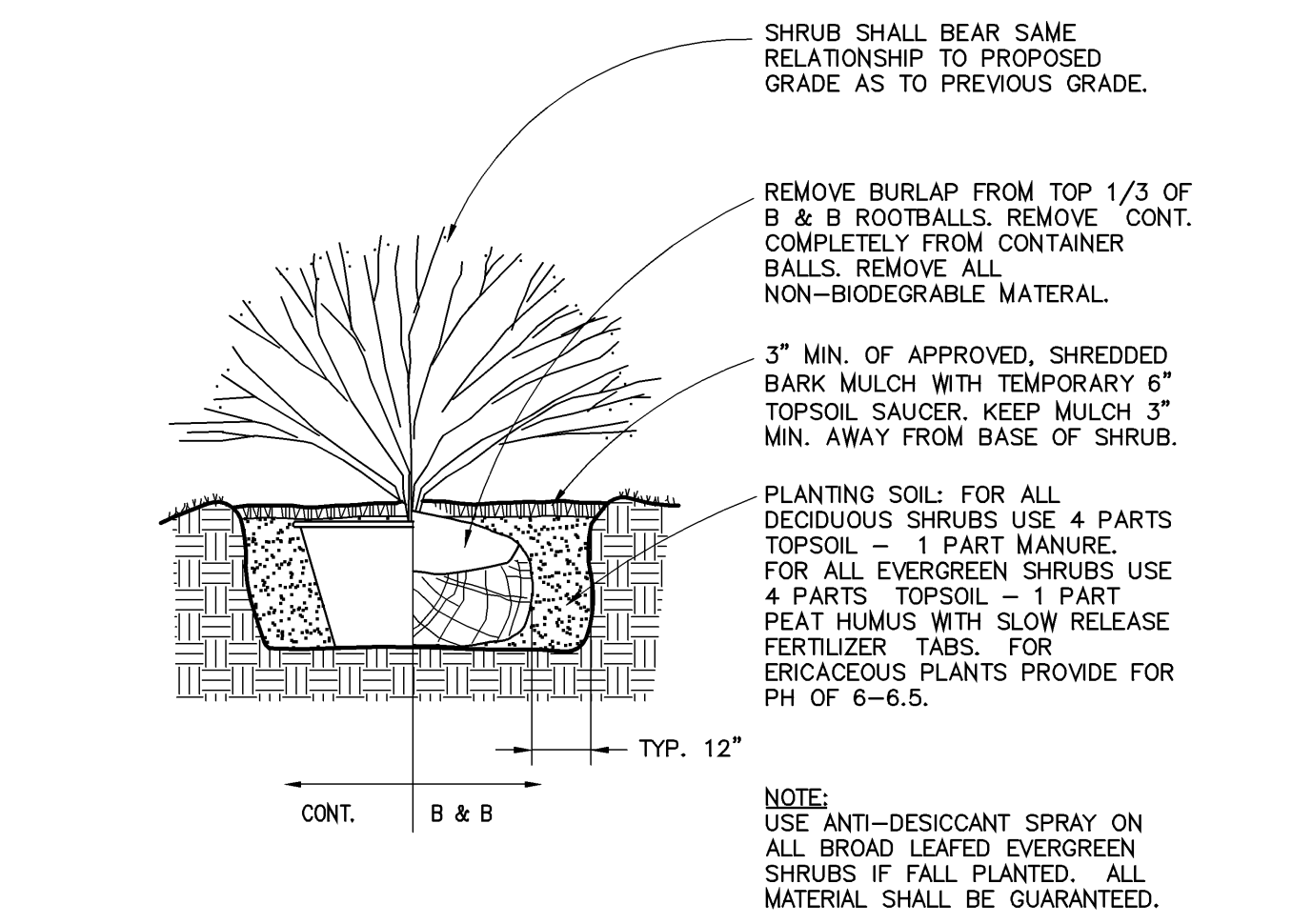


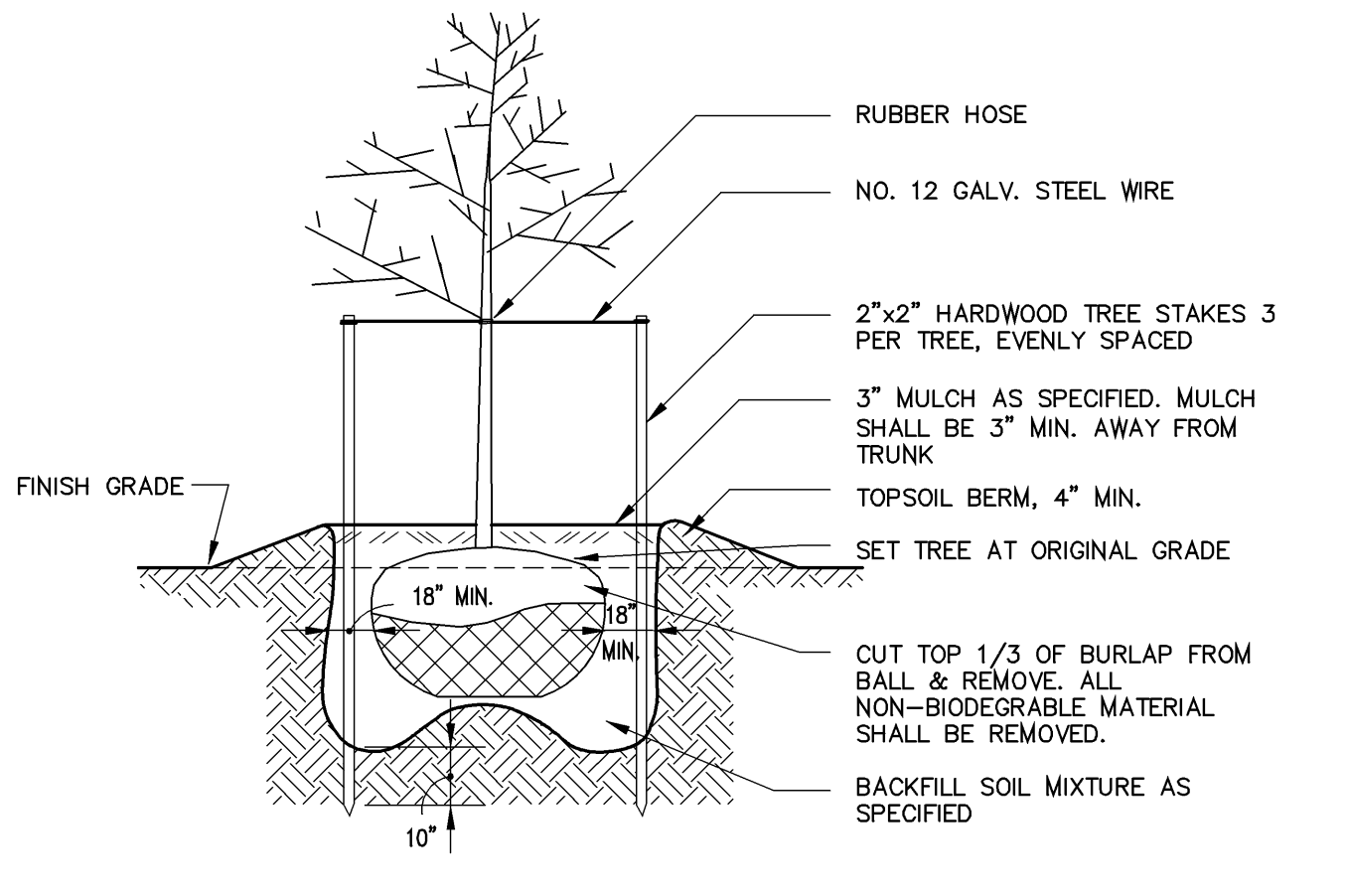
**CHAIN LINK FENCE**  
SCALE: NOT TO SCALE



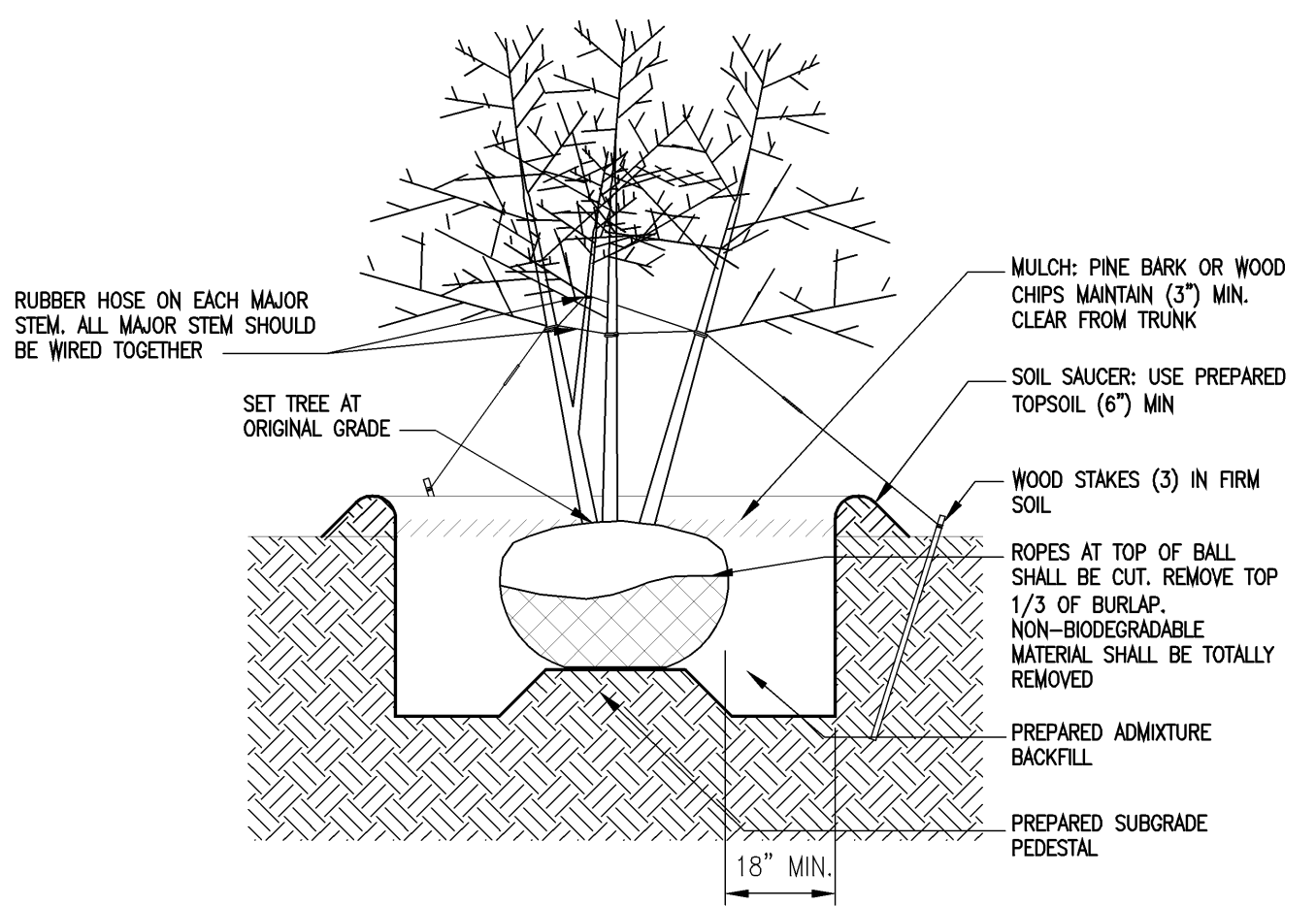
**TREE PLANTING**  
SCALE: NOT TO SCALE



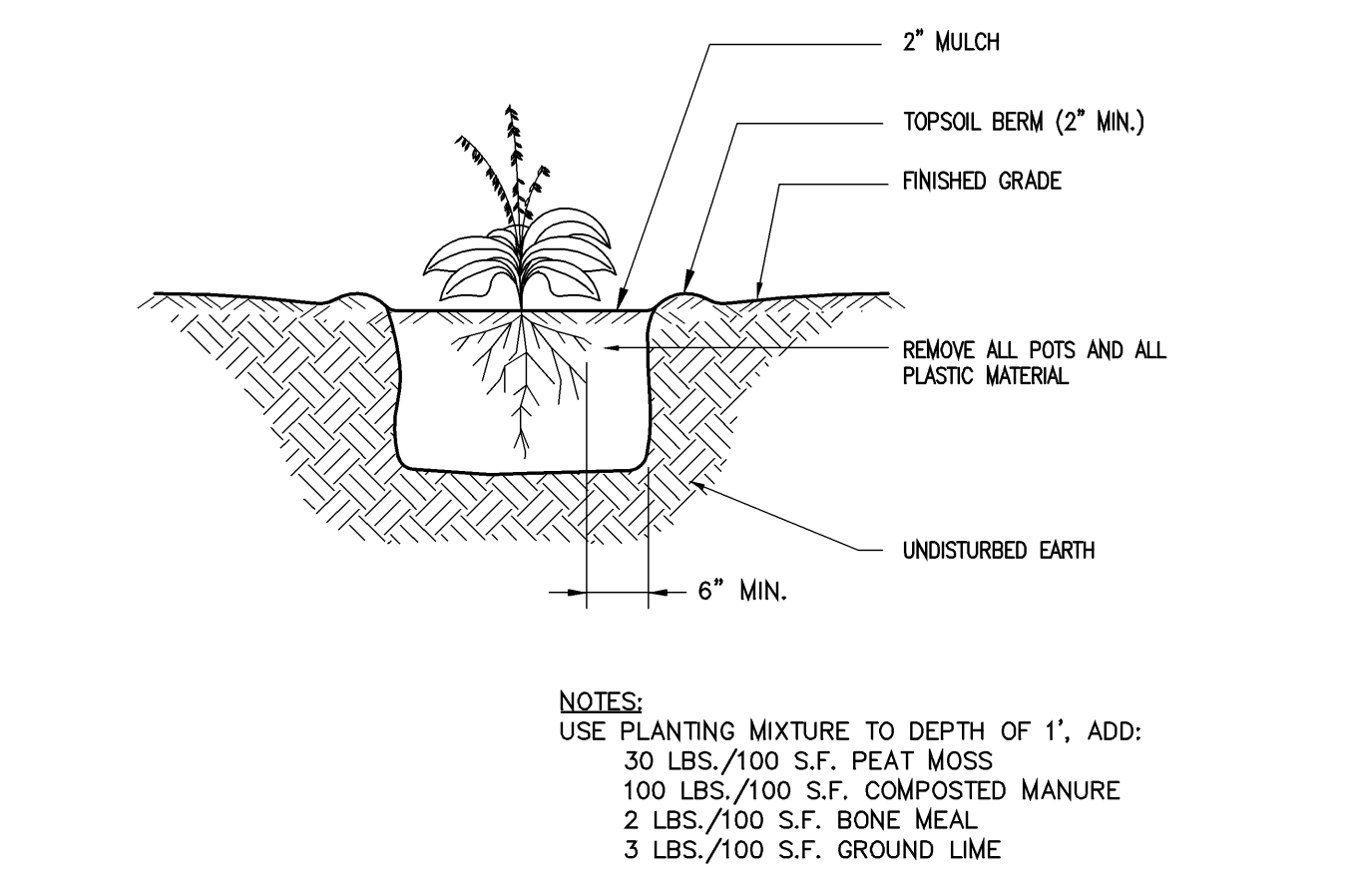
**SHRUB PLANTING**  
SCALE: NOT TO SCALE



**STAKING & GUYING DETAIL**  
SCALE: NOT TO SCALE



**MULTI STEM TREE PLANTING**  
SCALE: NOT TO SCALE



**PERENNIAL PLANTING**  
SCALE: NOT TO SCALE

**SHEET NOTES**

**Portland International Jetport**  
1001 Westbrook Street  
Portland, Maine 04102

2020 K Street, NW  
Suite 200  
Washington, DC 20006  
Telephone 202.721.5200  
Facsimile 202.872.8587

**Gensler**

**oest ASSOCIATES, INC.**  
343 Goffman Road, South Portland, ME 04106 P (207) 741-7700 F (207) 774-2141 www.oest.com  
engineers • architects • surveyors • construction managers

**GENERAL NOTES**

Issue	Date & Issue Description	By	Check
1	09/22/08	W/W	AWL
2	12/03/08	W/W	AWL
3	01/23/09	---	---
4	10/26/09	W/W	FFM

ISSUED LANSCAPE ARCHITECT

MERCER M. BONNEY  
No. 3041  
REGISTERED PROFESSIONAL ARCHITECT  
STATE OF MAINE

23 October 2009

Project Name  
PJM Terminal Enhancement

Project Number  
09-8396-000

CAD File Name  
T:\5330101\SHEETS\C12.06.DWG

Description  
LANDSCAPING DETAILS

Scale  
AS NOTED

**C12.06**

©2009 Gensler