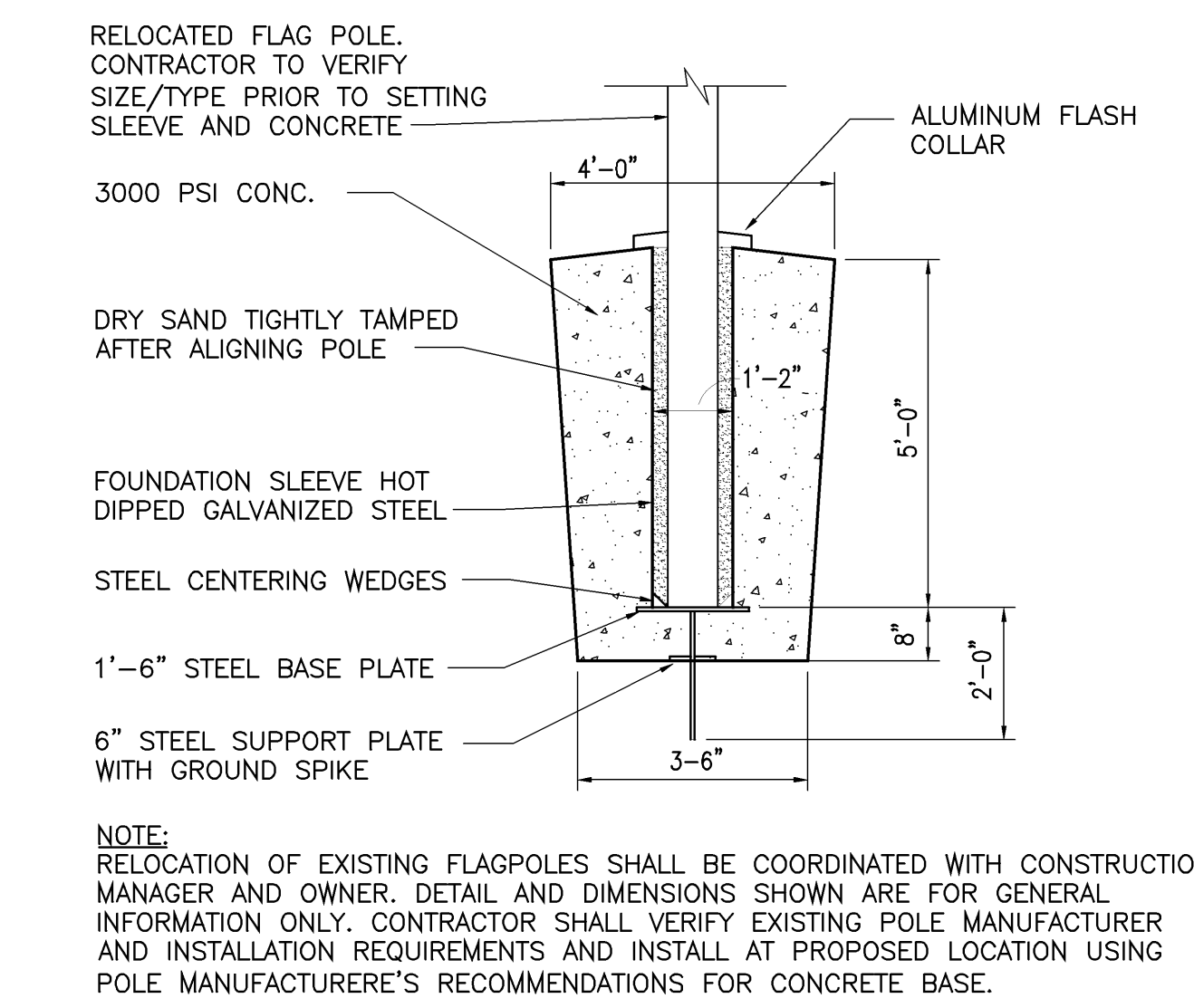
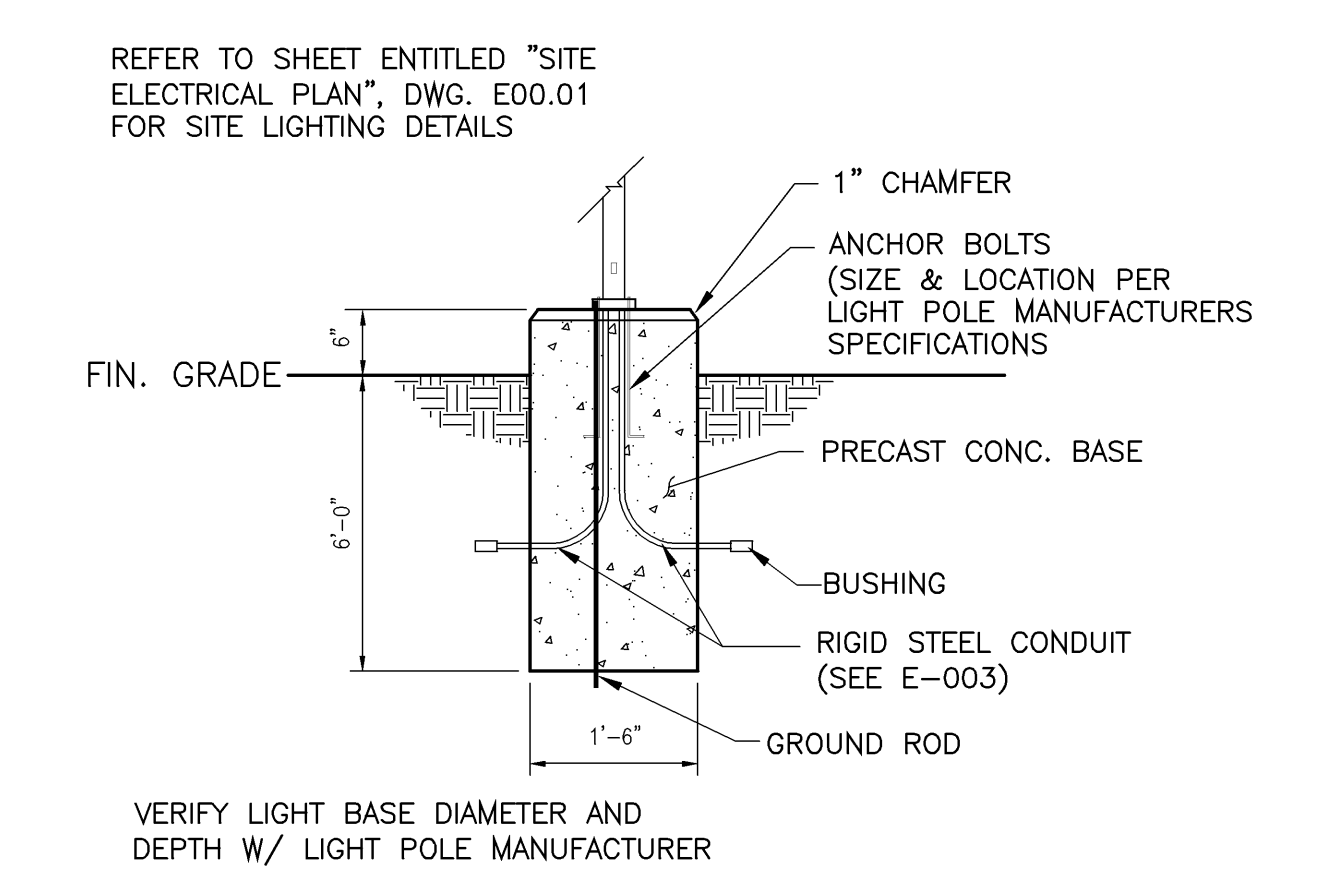


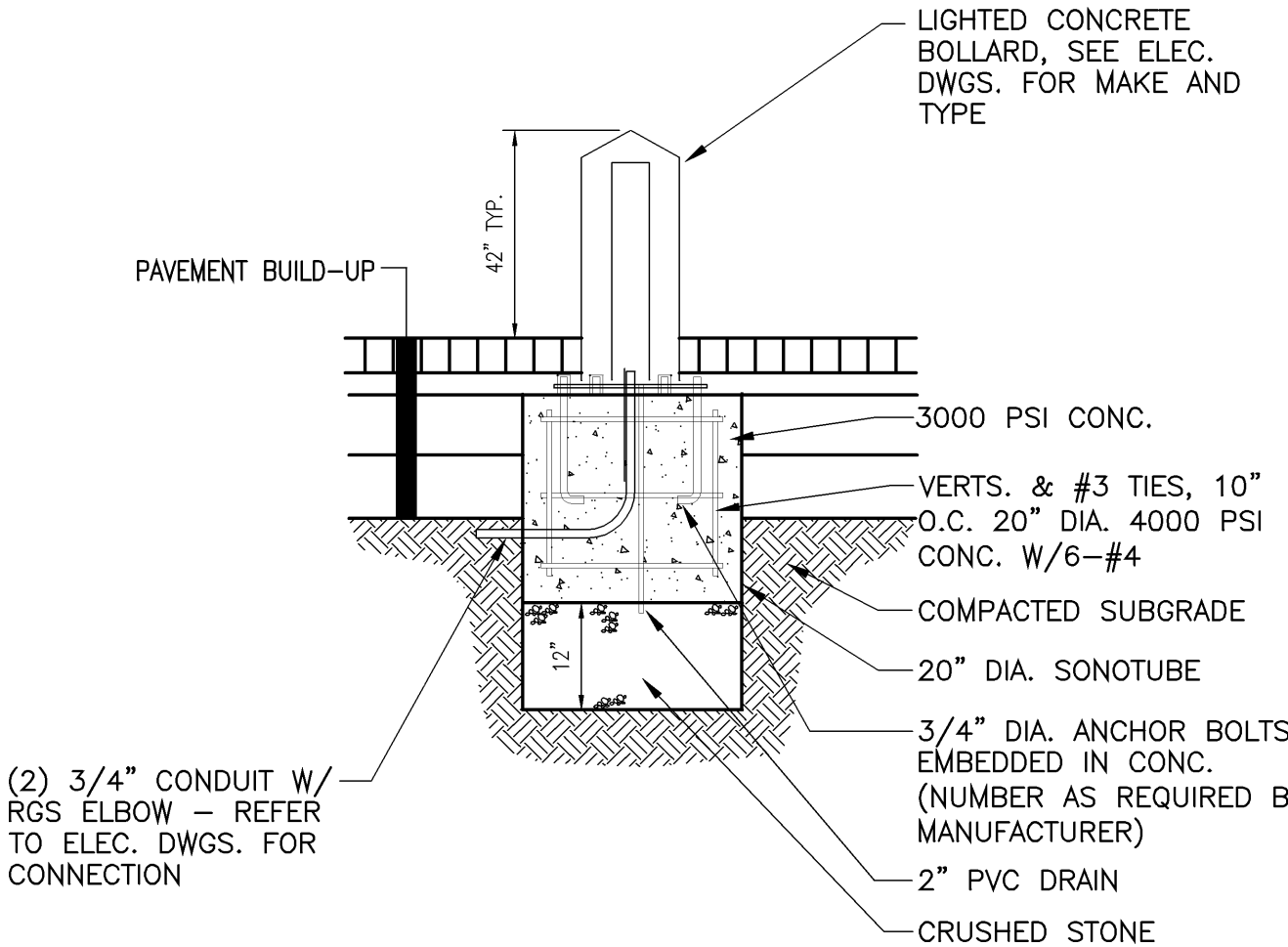
**PAVEMENT MARKINGS**  
SCALE: NOT TO SCALE **17**



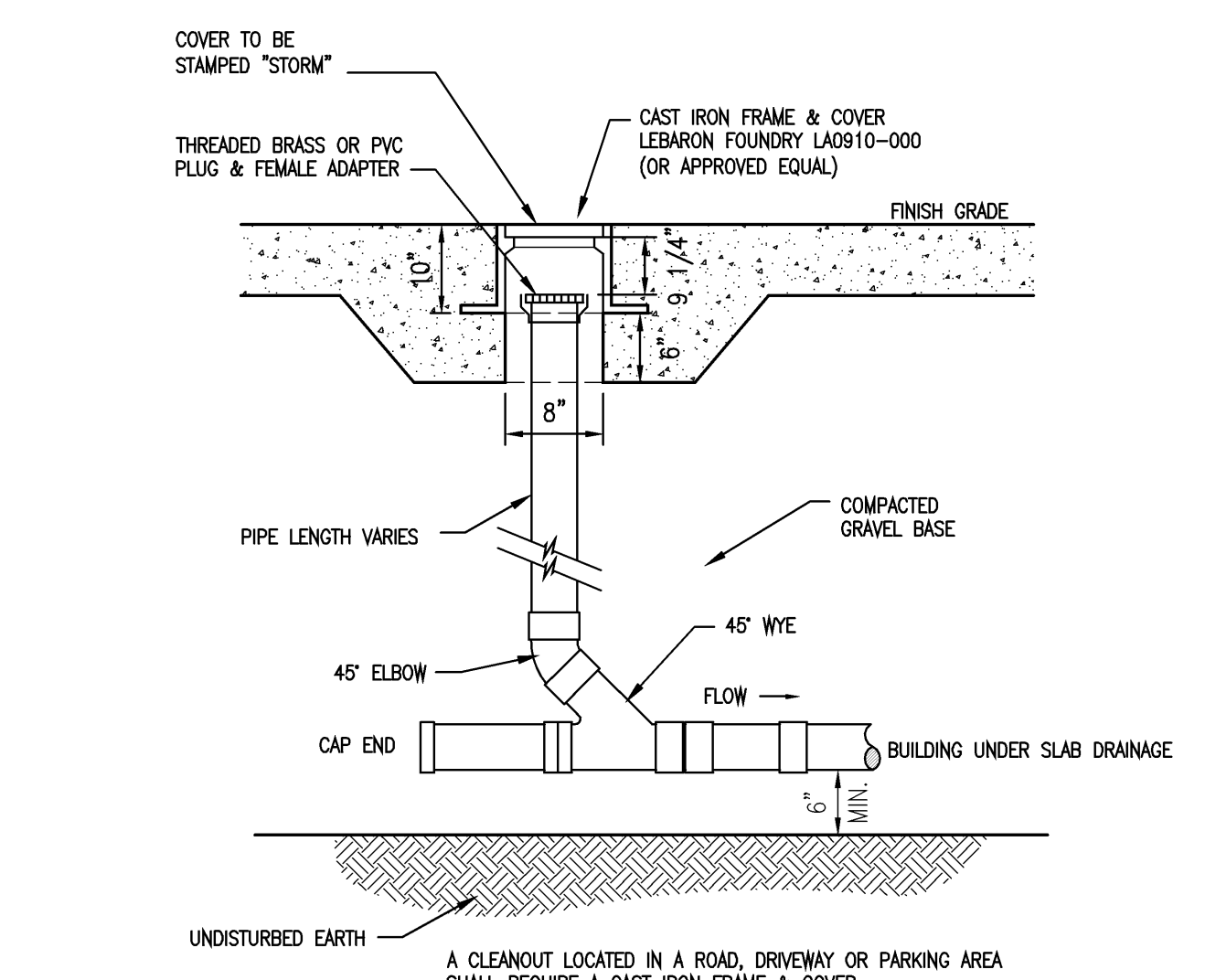
**FLAG POLE BASE**  
SCALE: NOT TO SCALE **18**



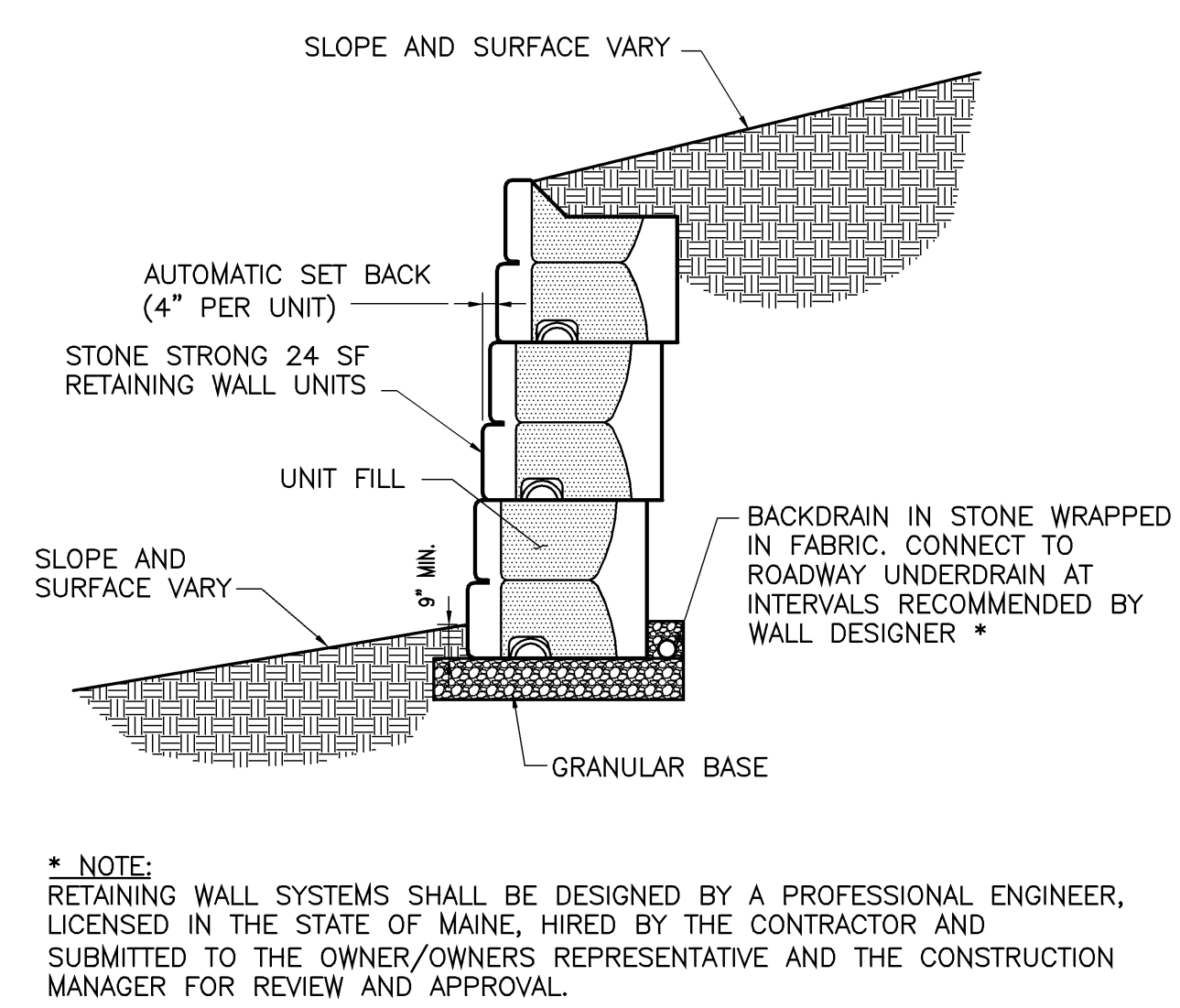
**LIGHT STANDARD BASE**  
SCALE: NOT TO SCALE **19**



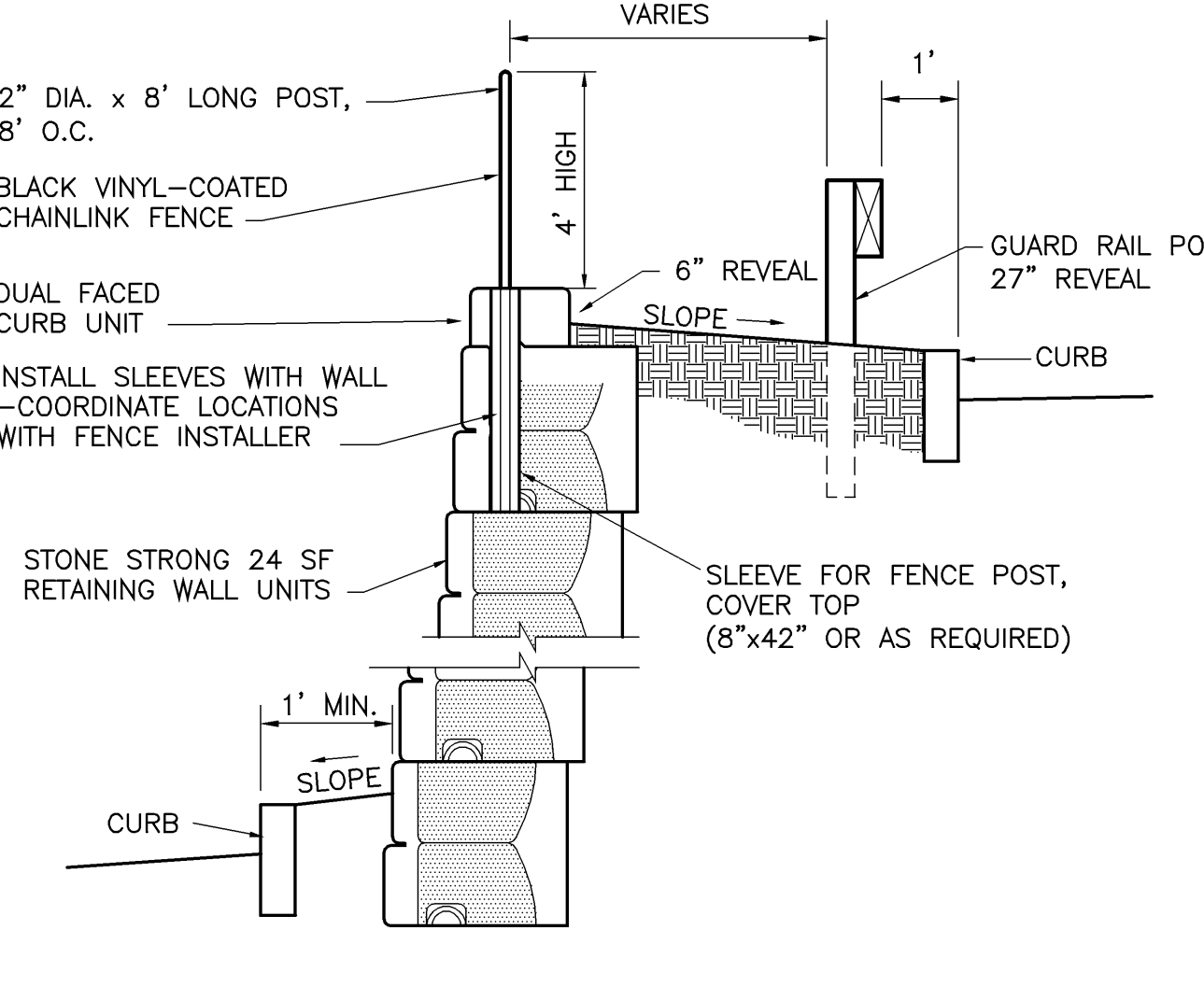
**BOLLARD LIGHT BASE**  
SCALE: NOT TO SCALE **20**



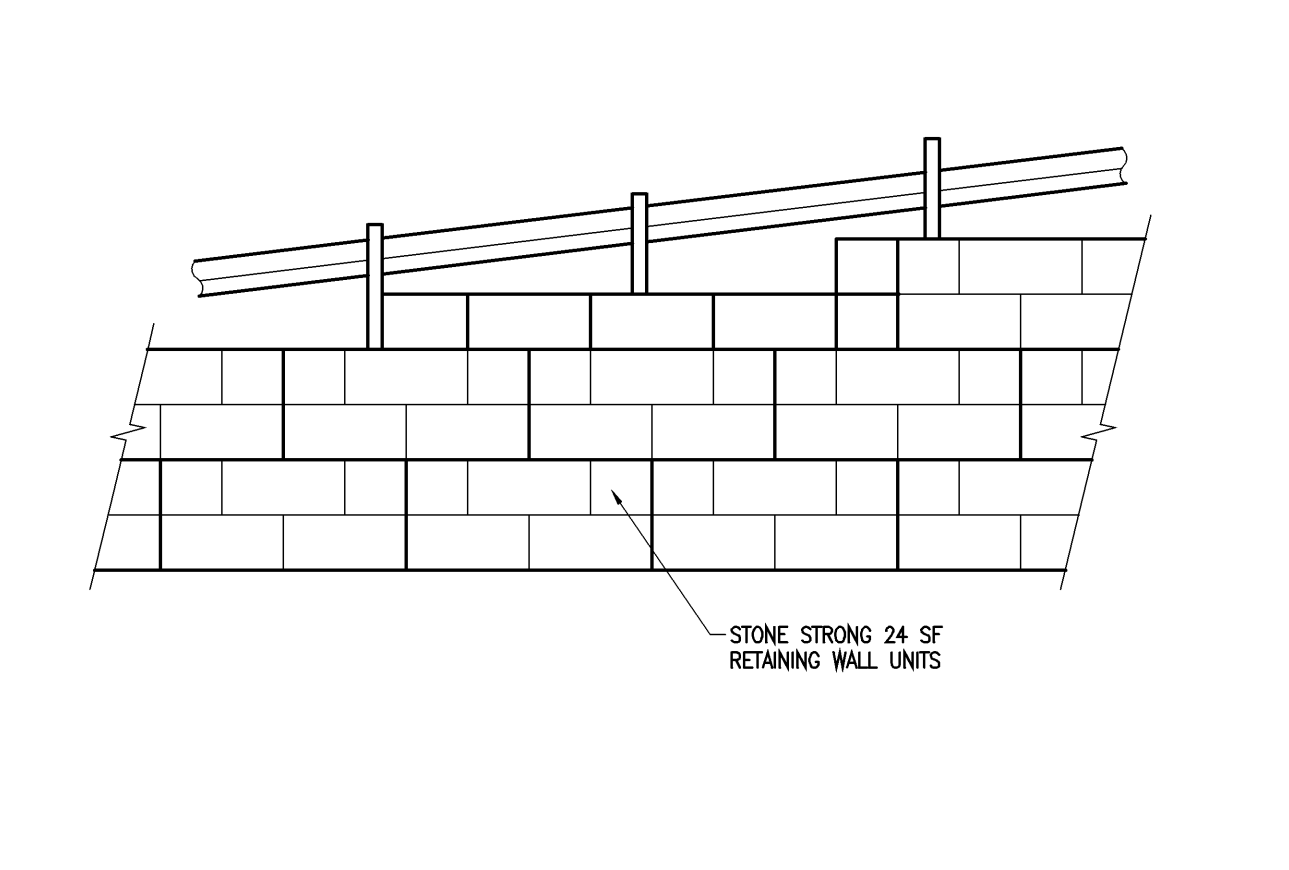
**FOUNDATION DRAIN CLEANOUT**  
SCALE: NOT TO SCALE **21**



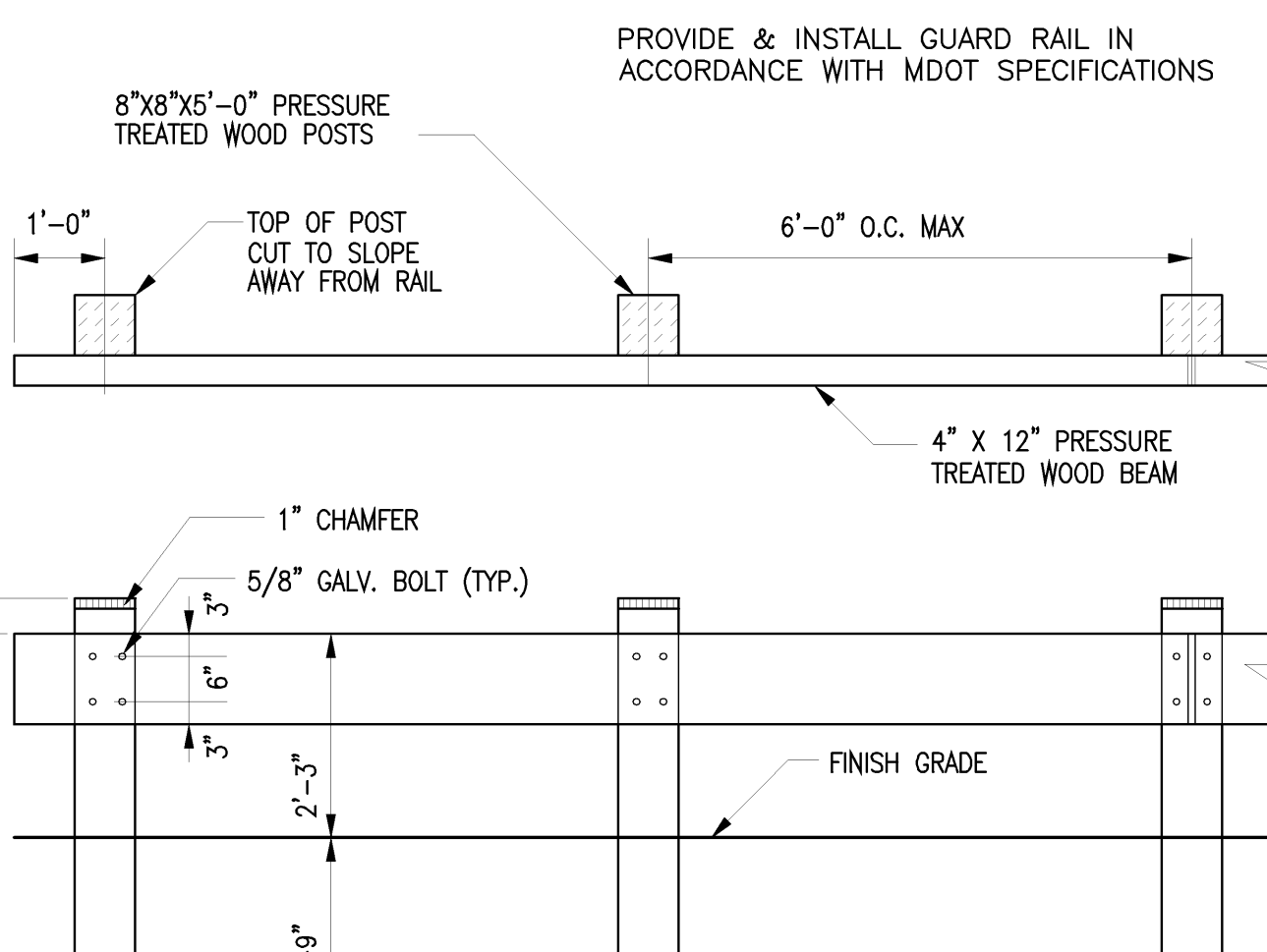
**RETAINING WALL**  
SCALE: NOT TO SCALE **12**



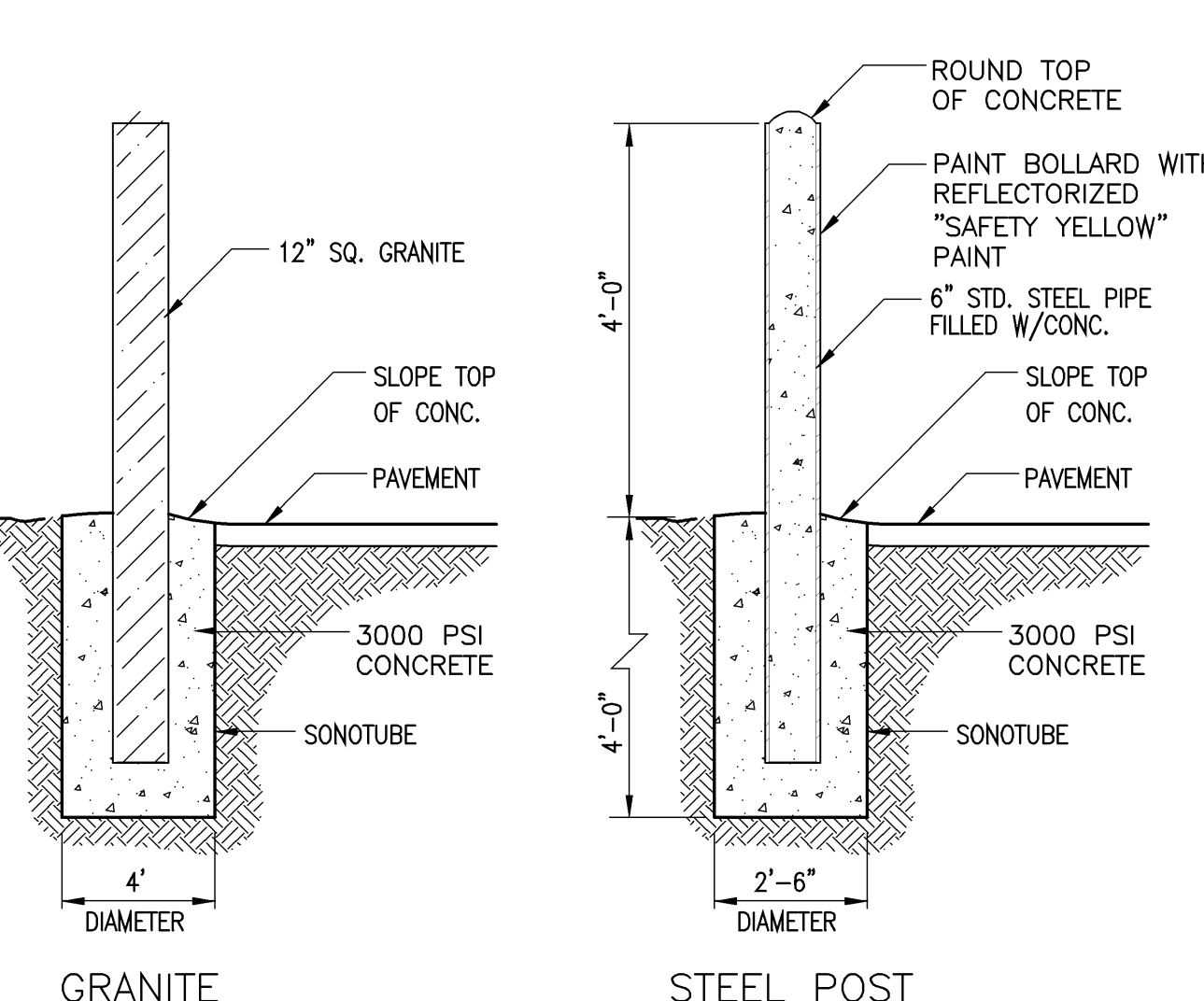
**RETAINING WALL GUARD RAIL**  
SCALE: NOT TO SCALE **13**



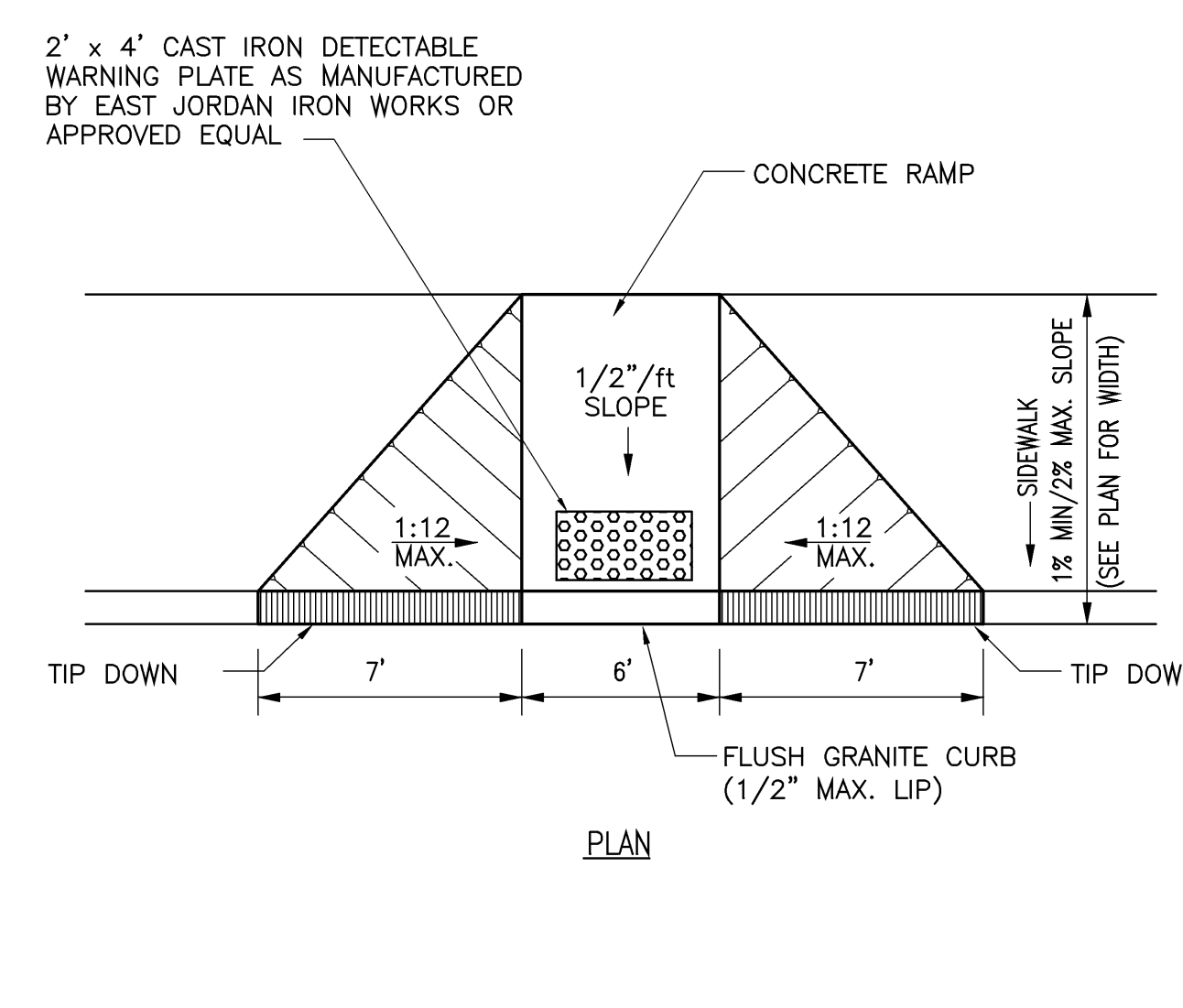
**GUARD RAIL CONFIGURATION**  
SCALE: NOT TO SCALE **14**



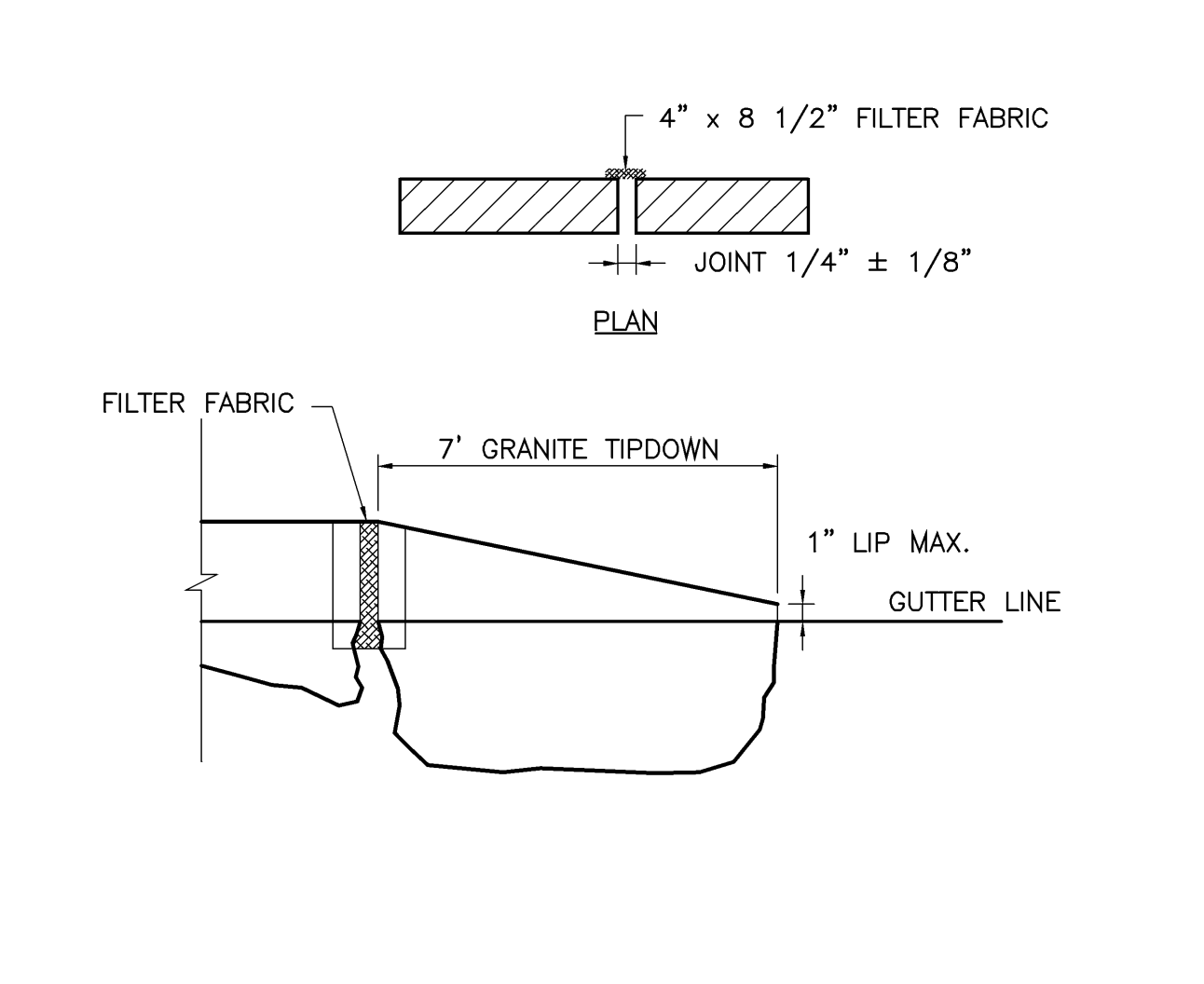
**GUARD RAIL**  
SCALE: NOT TO SCALE **15**



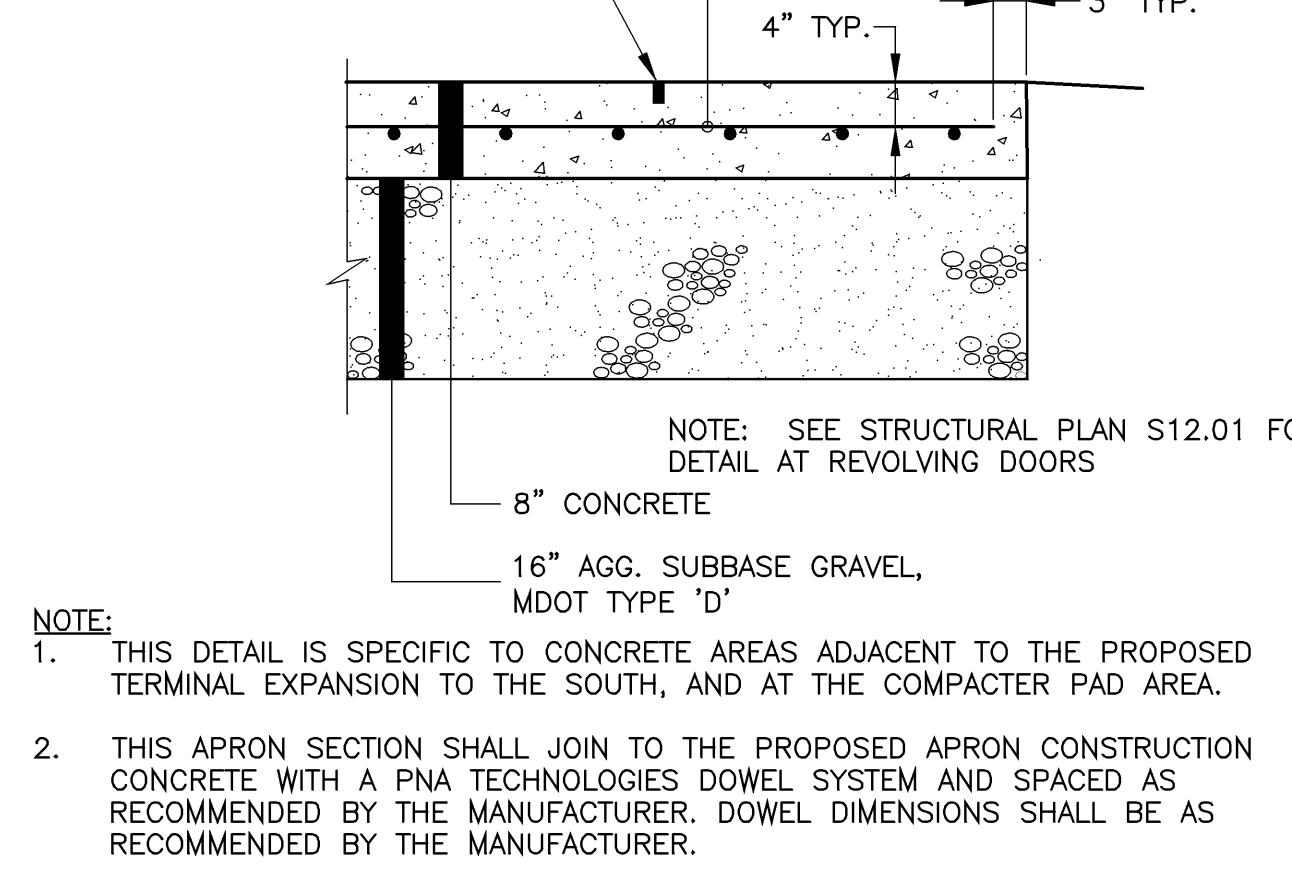
**SITE BOLLARDS**  
SCALE: NOT TO SCALE **16**



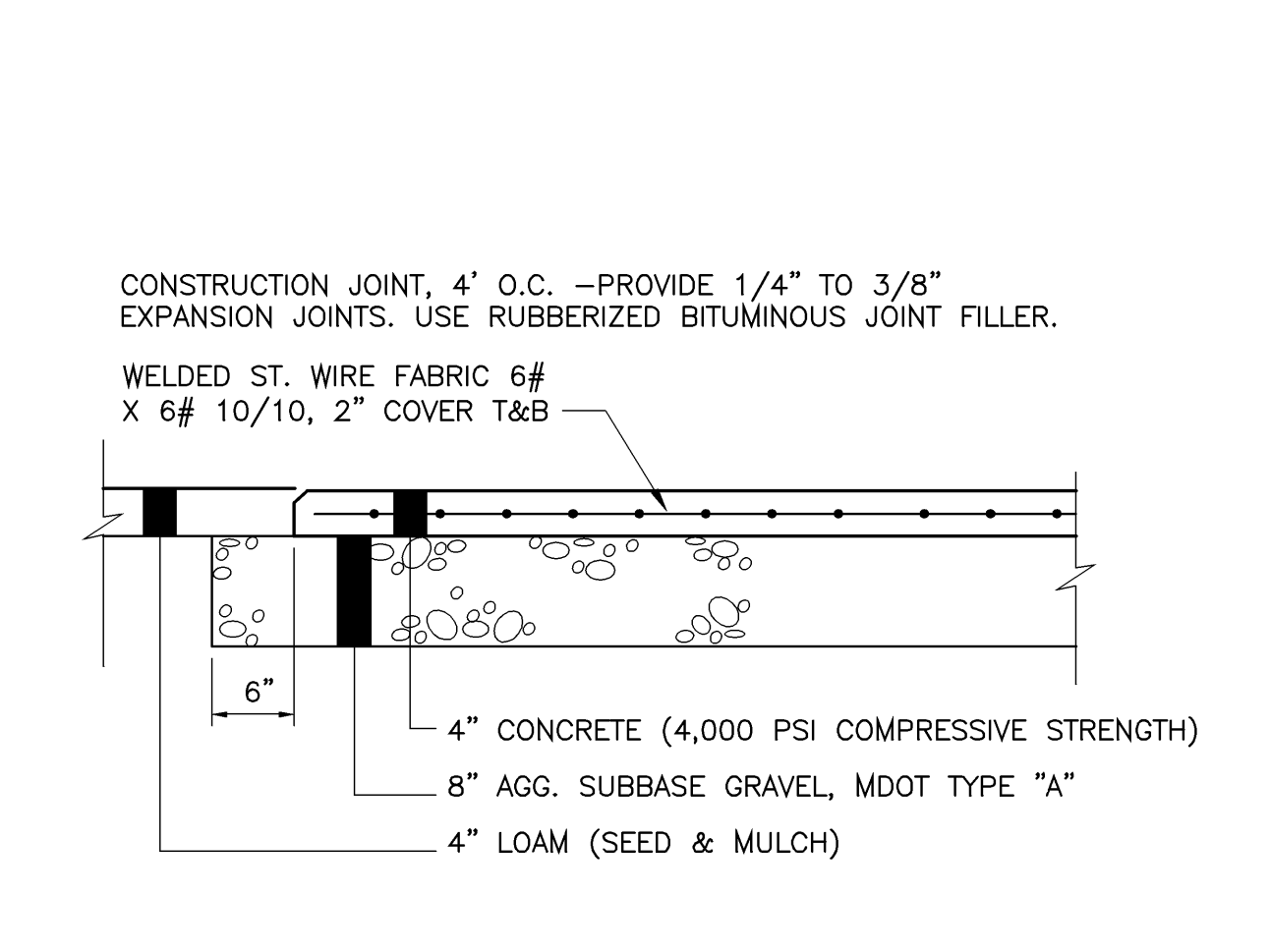
**PEDESTRIAN RAMP**  
SCALE: NOT TO SCALE **8**



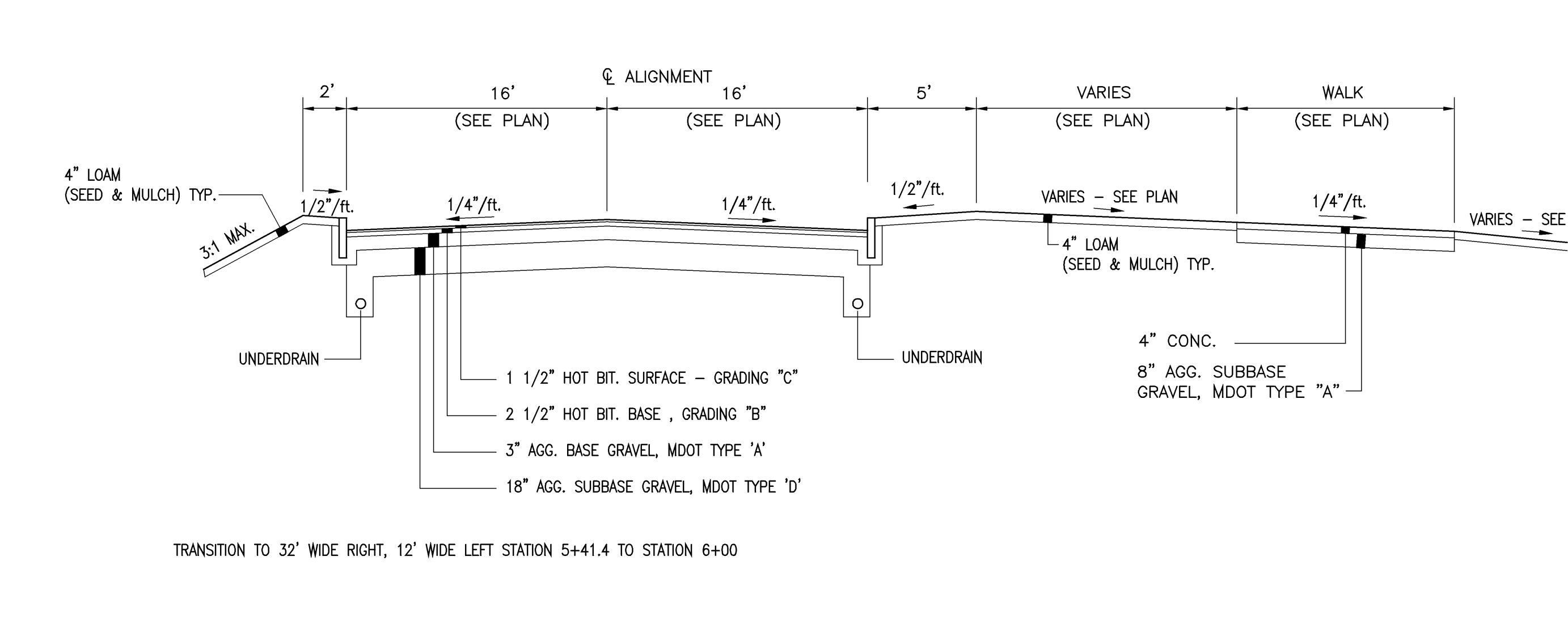
**TIP DOWN CURB**  
SCALE: NOT TO SCALE **9**



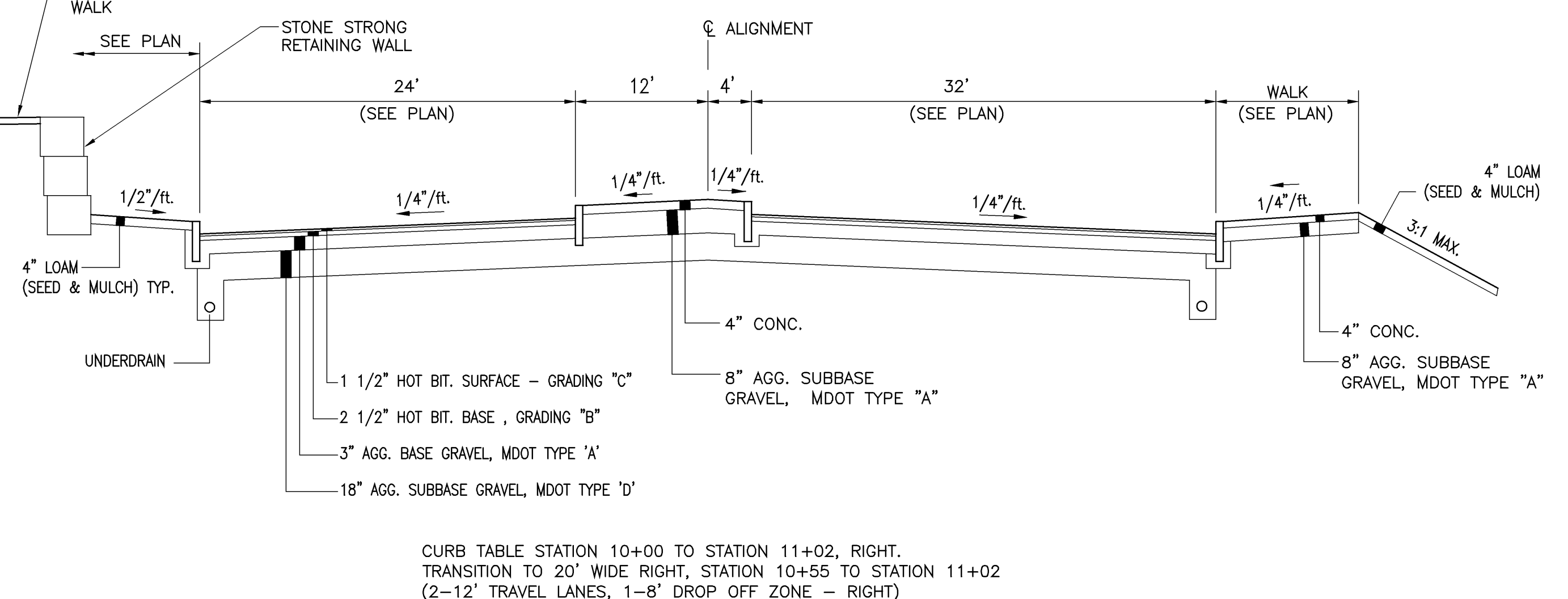
**CONCRETE APRONS**  
SCALE: NOT TO SCALE **10**



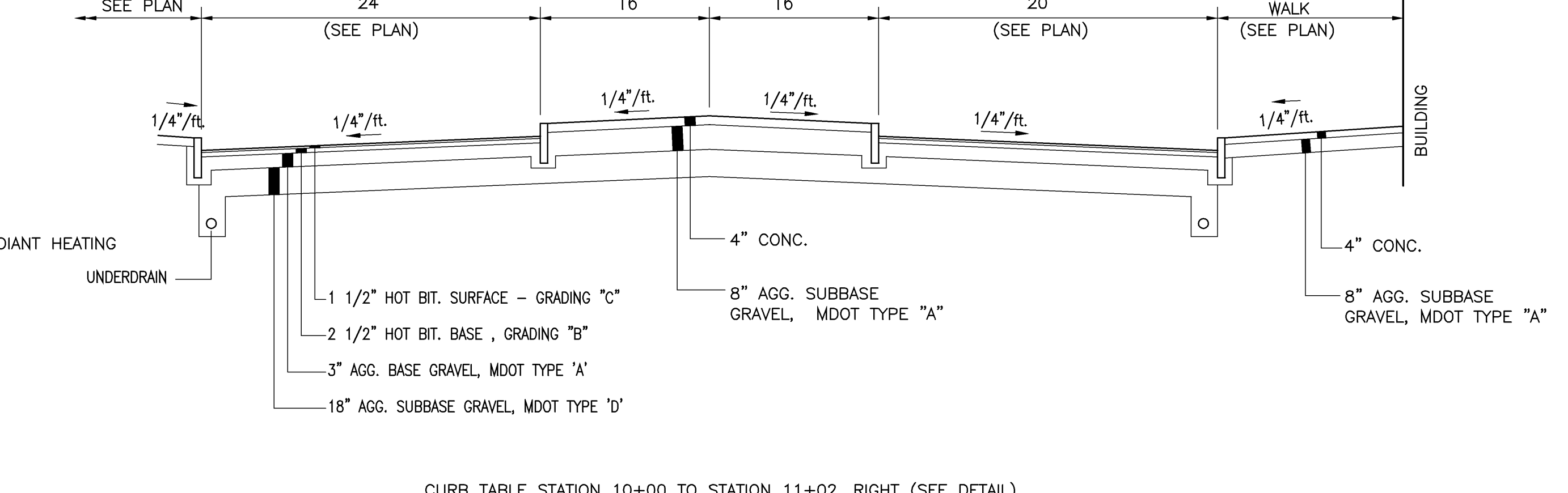
**CONCRETE WALK**  
SCALE: NOT TO SCALE **11**



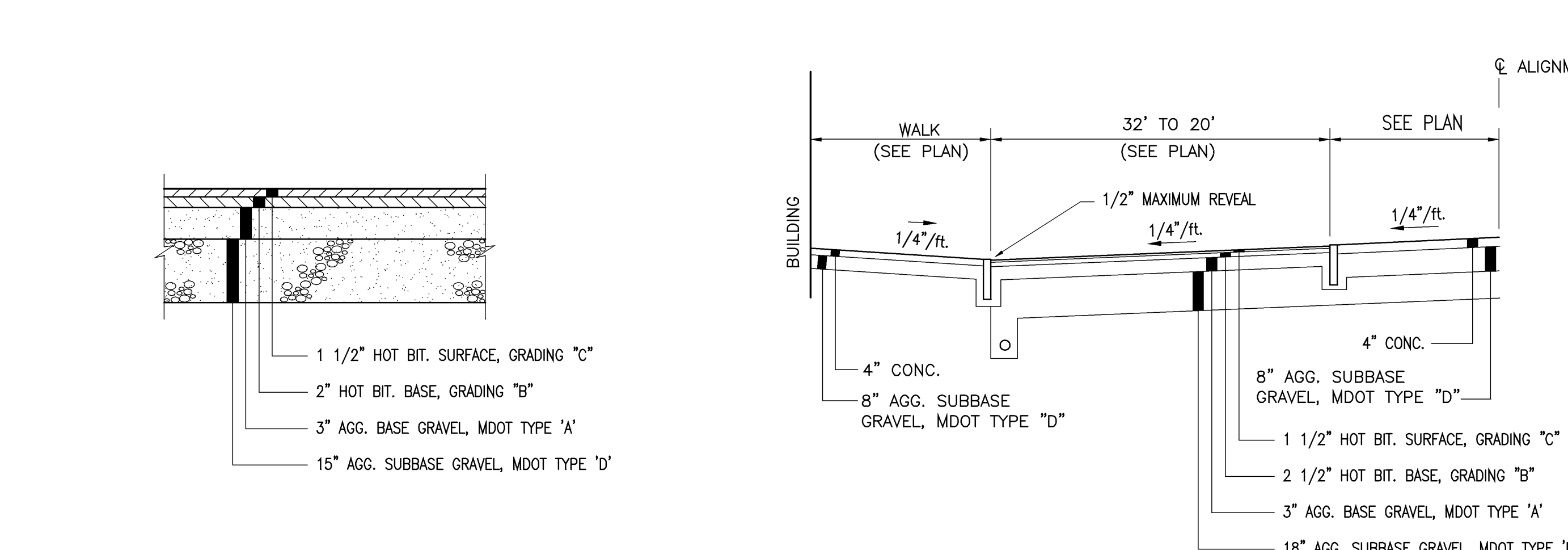
**ACCESS ROADWAY SECTION - STA. 3+07.8 THRU STA. 5+41.4**  
SCALE: NOT TO SCALE **1**



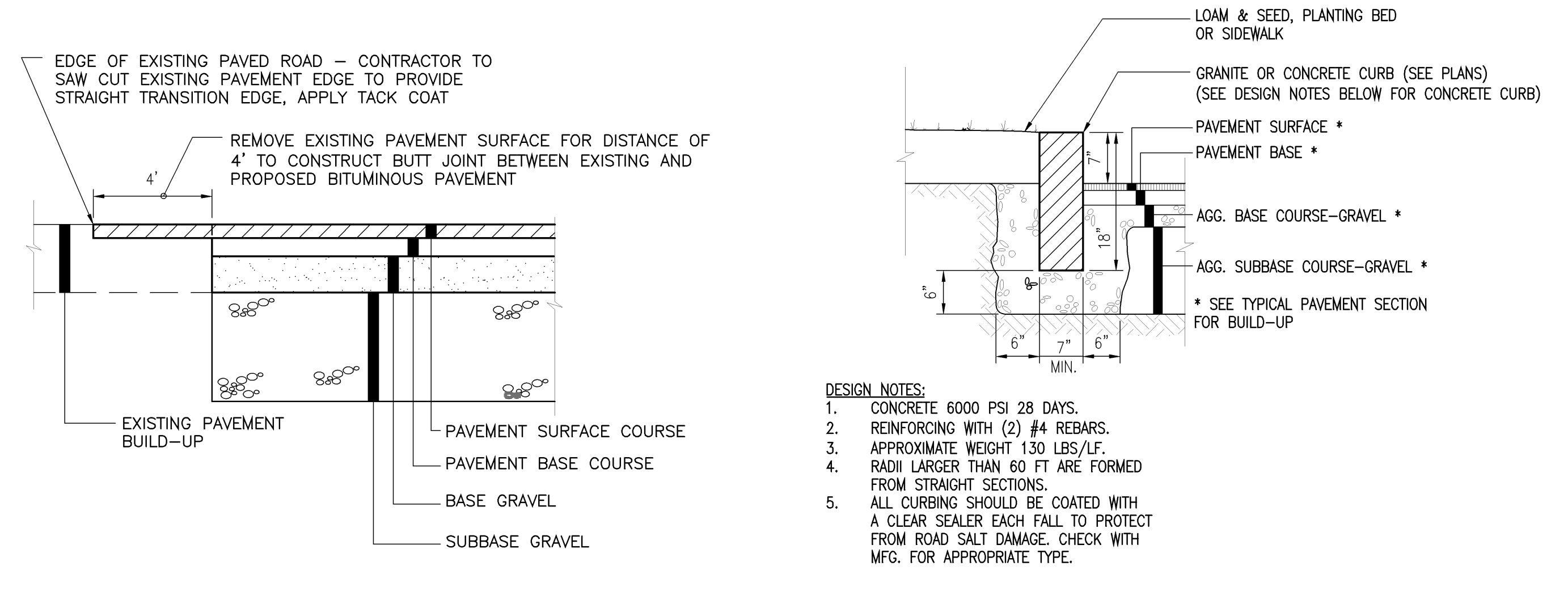
**ACCESS ROADWAY SECTION - STA. 6+10 THRU STA. 10+55**  
SCALE: NOT TO SCALE **2**



**ACCESS ROADWAY SECTION - STA. 11+02 THRU STA. 12+31**  
SCALE: NOT TO SCALE **3**



**ROADWAY CURB TABLE DETAIL**  
SCALE: NOT TO SCALE **4**



**PAVEMENT TRANSITION**  
SCALE: NOT TO SCALE **6**

**SHEET NOTES**

**GENERAL NOTES**

**Portland International Jetport**  
1001 Westbrook Street  
Portland, Maine 04102

**Gensler**  
**oest ASSOCIATES, INC.**  
engineers • architects • surveyors • construction managers

Rev	Date	Issue Description	By	Check
1	09/22/08	DESIGN DEVELOPMENT	W/W	AWL
2	12/03/08	75% CONSTRUCTION DOCUMENTS	W/W	AWL
3	01/23/09	95% CONSTRUCTION DOCUMENTS	W/W	AWL
4	10/26/09	ISSUED FOR PERMIT	W/W	FEM

Project Name  
PJM Terminal Enhancement

Project Number  
09.0395.000

CAD File Name  
T:\5330101\SHEETS\C12.01.DWG

Description  
ROADWAY SECTIONS & DETAILS

Scale  
AS NOTED

**C12.01**

©2009 Gensler

