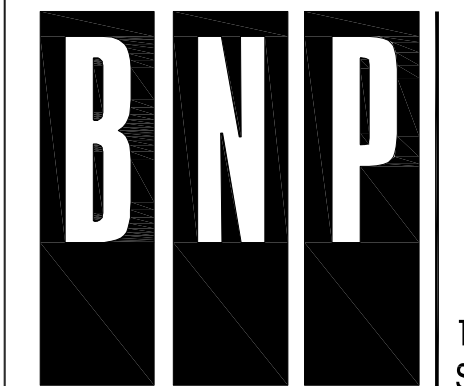


**SHEET NOTES**

**Portland International  
Jetport**  
1001 Westbrook Street  
Portland, Maine 04102

**Gensler**

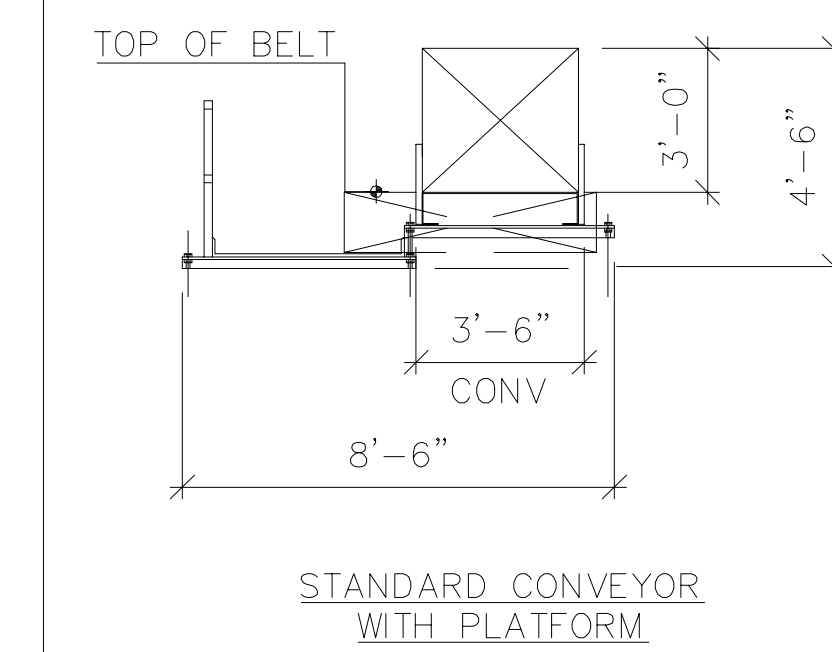
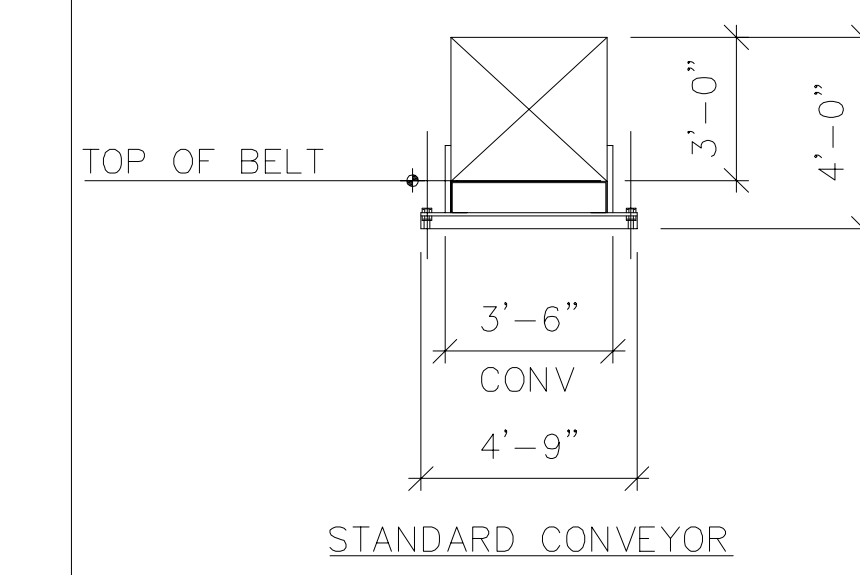
2020 K Street, NW  
Suite 200  
Washington, DC 20006  
Telephone 202.721.5200  
Facsimile 202.872.8587



PHONE: 203.792.3000  
FAX: 203.792.4900  
BNPHQ@BNPASSOCIATES.COM

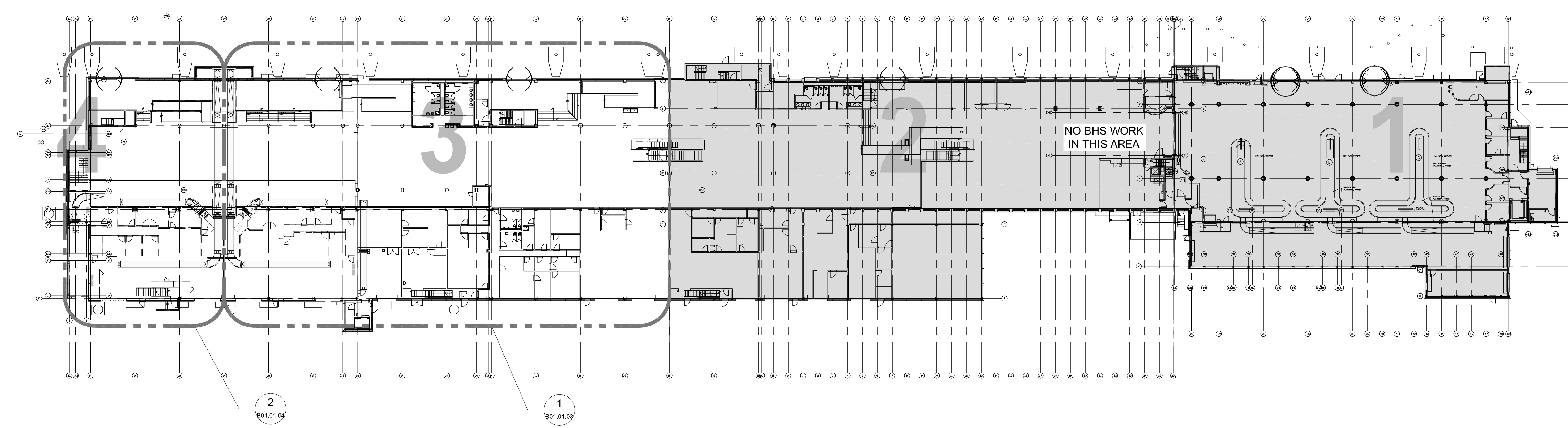
101 EAST RIDGE OFFICE PARK  
SUITE 103  
DANBURY, CT 06810 USA

**LEGEND**



**GENERAL NOTES**

| Issue | Date & Issue Description | By  | Check |
|-------|--------------------------|-----|-------|
| 01    | 7/15/09                  | BNP | JWKS  |
| 02    | 9/15/09                  | BNP | JWKS  |
| 03    | 10/26/09                 | BNP | JWKS  |

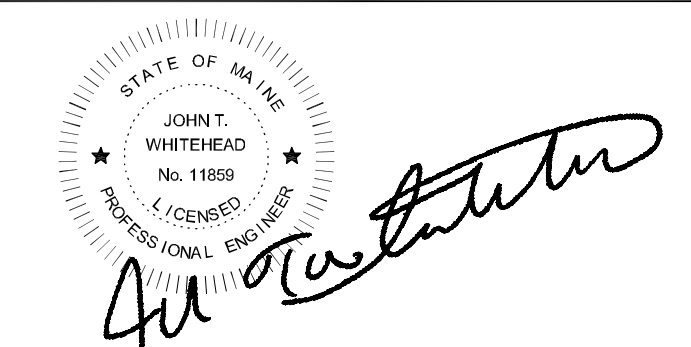


1 BAGGAGE HANDLING PLAN - OVERALL LEVEL 1  
B01.01.00 1/32" = 1'-0"

**KEY PLAN**



See Signature



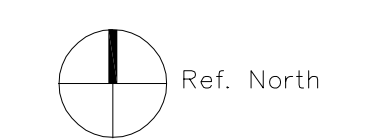
Project Name  
PJM Terminal Expansion

Project Number  
09.6395.000

CAD File Name  
B01.01.00.dwg

Description  
BAGGAGE HANDLING PLAN - LEVEL 1 - OVERALL

Scale



**B01.01.00**

©2008 Gensler