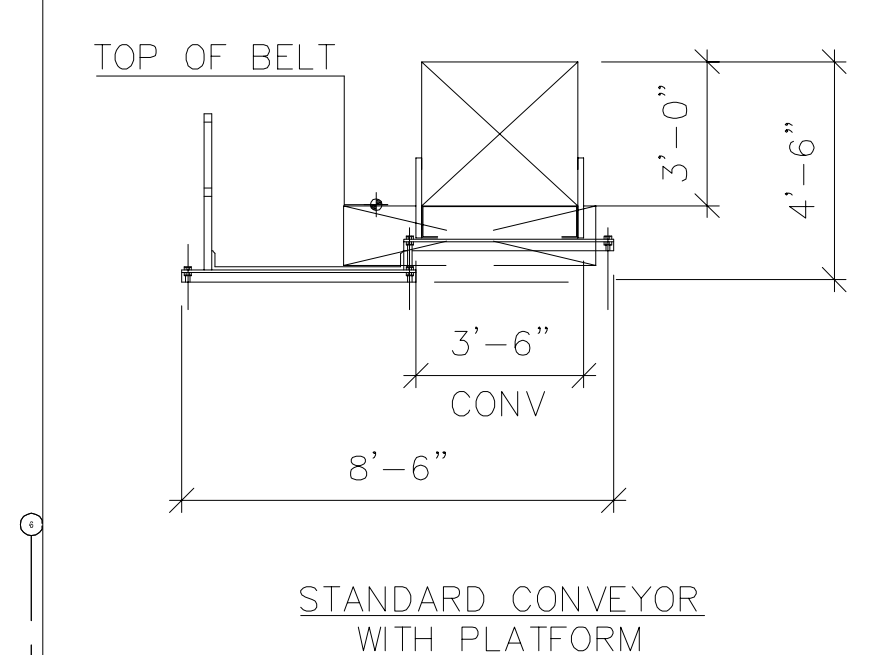
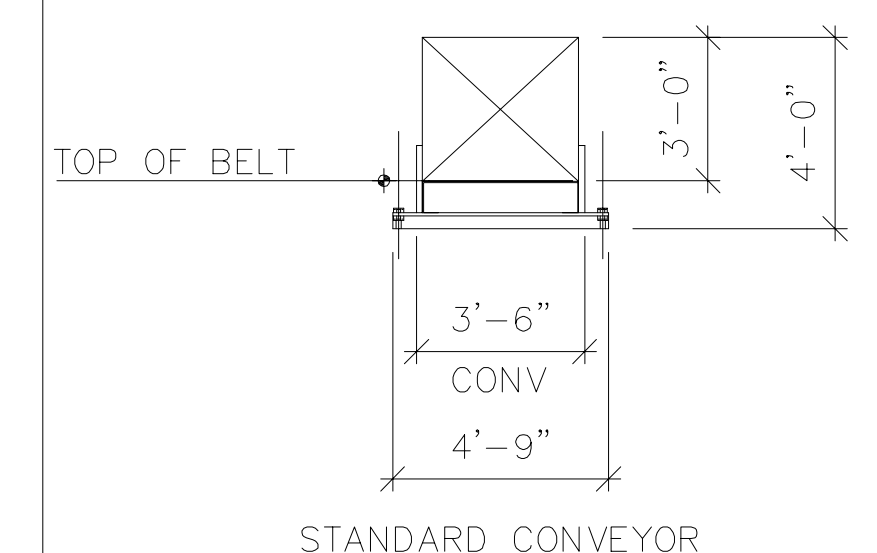


SHEET NOTES

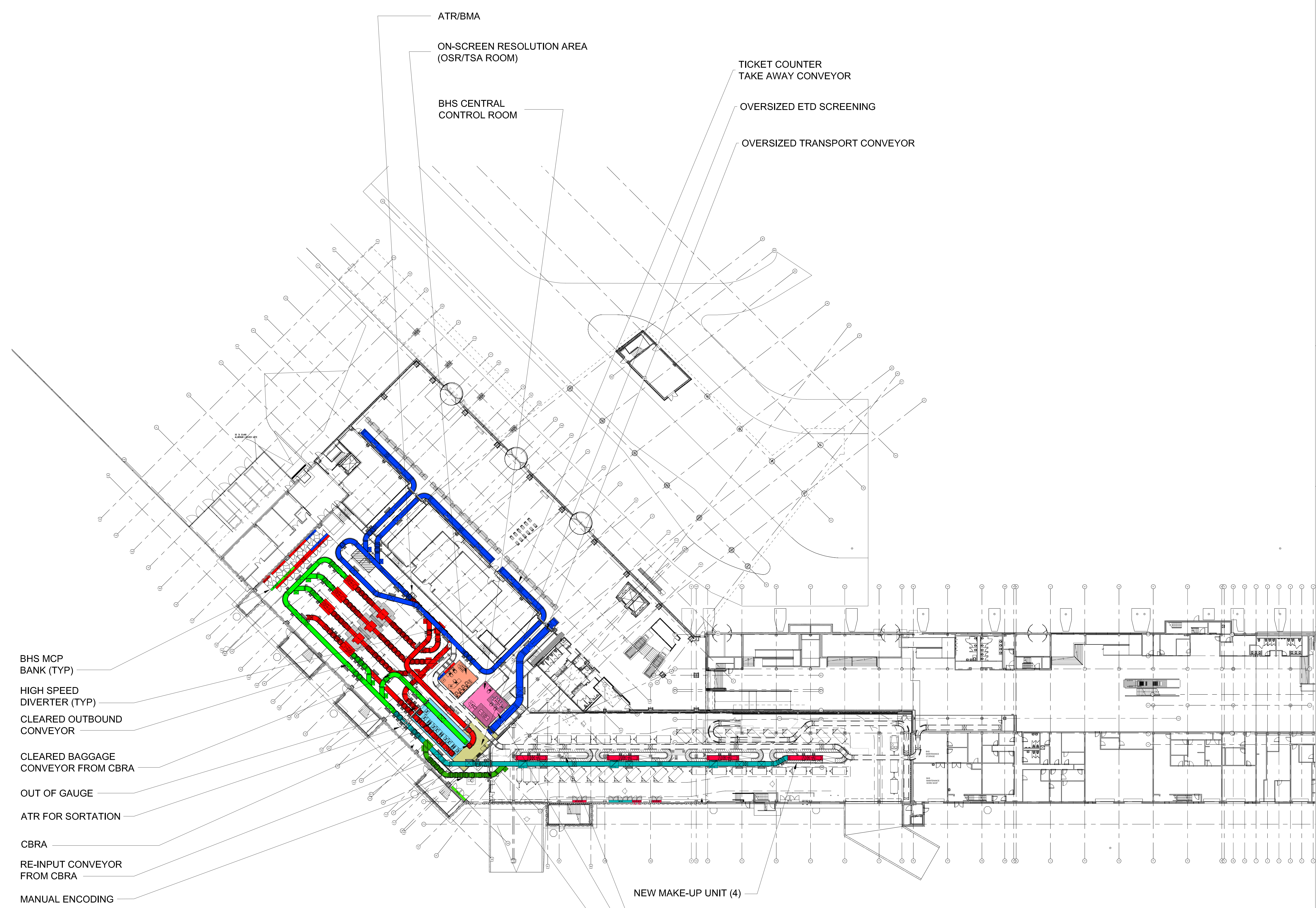
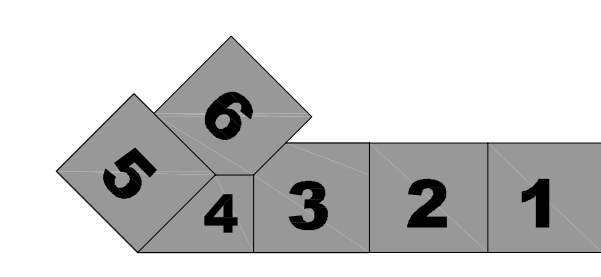
LEGEND



GENERAL NOTES

- THE FOLLOWING, TOGETHER WITH THE PROJECT SPECIFICATIONS AND BHS DRAWINGS SHALL APPLY:
- A. CHECK AND FIELD VERIFY ALL BHS RELATED DIMENSIONS ON THE JOB SITE BEFORE PROCEEDING WITH WORK, AND BE RESPONSIBLE FOR THEIR ACCURACY. IF DISCREPANCIES ARE FOUND BETWEEN THE BHS DRAWINGS, SPECIFICATIONS AND FIELD CONDITIONS, THEY SHALL BE REPORTED TO THE OWNER'S REPRESENTATIVE.
 - B. NO DIMENSIONS SHALL BE SCALED, DRAWINGS DIMENSIONS SHOWN SHALL BE USED.
 - C. REFERENCE STRUCTURAL DRAWINGS FOR BEAM LOCATIONS.
 - D. FOR ADDITIONAL BHS RIGHT-OF-WAY DETAILS SEE B12 SERIES.
 - E. ALL TICKET COUNTERS AND BAG WELL SCALES NOT BY BHS CONTRACTOR.
 - F. BHS CONTRACTOR TO COORDINATE WITH ALL OTHER TRADES TO MAINTAIN BAGGAGE SYSTEM RIGHT-OF-WAY.
 - G. ALL DIMENSIONS ARE FROM COLUMN CENTER LINE TO FACE OF CONVEYOR SIDE GUARD, UNLESS OTHERWISE NOTED.
 - H. ALL OTHER TRADES TO MAINTAIN 3'-0" CLEAR RIGHT-OF-WAY FROM TOP OF BELT TO NEAREST OBSTRUCTION. HANGING OF ANY EQUIPMENT COMPONENTS MECHANICAL, ELECTRICAL, PLUMBING, HVAC... FROM THE CONVEYOR, CATWALK OR ASSOCIATED SUPPORTS IS NOT ALLOWED.
 - I. ALL BHS RIGHT-OF-WAY SHALL TAKE PRECEDENCE OVER ALL OTHER BUILDING SERVICES (MECHANICAL DUCT WORK AND PIPES, ELECTRICAL CONDUIT, SECURITY CONDUIT, FIRE PROTECTION PIPING, PLUMBING PIPES, ETC.)
 - J. ALL FINISHED FLOOR DIMENSIONS ARE TAKEN FROM THE HIGH POINT OF THE FINISHED FLOOR.

KEY PLAN



- BHS MCP BANK (TYP)
- HIGH SPEED DIVERTER (TYP)
- CLEARED OUTBOUND CONVEYOR
- CLEARED BAGGAGE CONVEYOR FROM CBRA
- OUT OF GAUGE
- ATR FOR SORTATION
- CBRA
- RE-INPUT CONVEYOR FROM CBRA
- MANUAL ENCODING

- NEW MAKE-UP UNIT (4)
- CLEAR BAGGAGE MAKE-UP AREA
- BHS CONTROL ROOM
- CLEARED OVERSIZE BAGGAGE SLIDE

- LEGEND:**
- █ TICKET COUNTER CONVEYORS/ OVERSIZE CONVEYORS
 - █ SUSPECT BAG AND RE-INPUT CONVEYORS
 - █ CLEAR BAG ENCODE CONVEYORS
 - █ MAIN LINE CONVEYORS
 - █ MANUAL ENCODING CONVEYORS
 - █ MAKE-UP FEED CONVEYORS

1 BAGGAGE HANDLING PLAN- SYSTEM OVERLAY
B00.02 5/128" = 1'-0"

Issue	Date & Issue Description	By	Check
01	7/15/09	BNP	JWKS
02	9/15/09	BNP	JWKS
03	10/26/09	BNP	JWKS

See Signature

Project Name
PJM Terminal Expansion
Project Number
09.0395.000
CAD File Name
B00.03.dwg
Description
BAGGAGE HANDLING PLAN - BHS SYSTEM OVERLAY