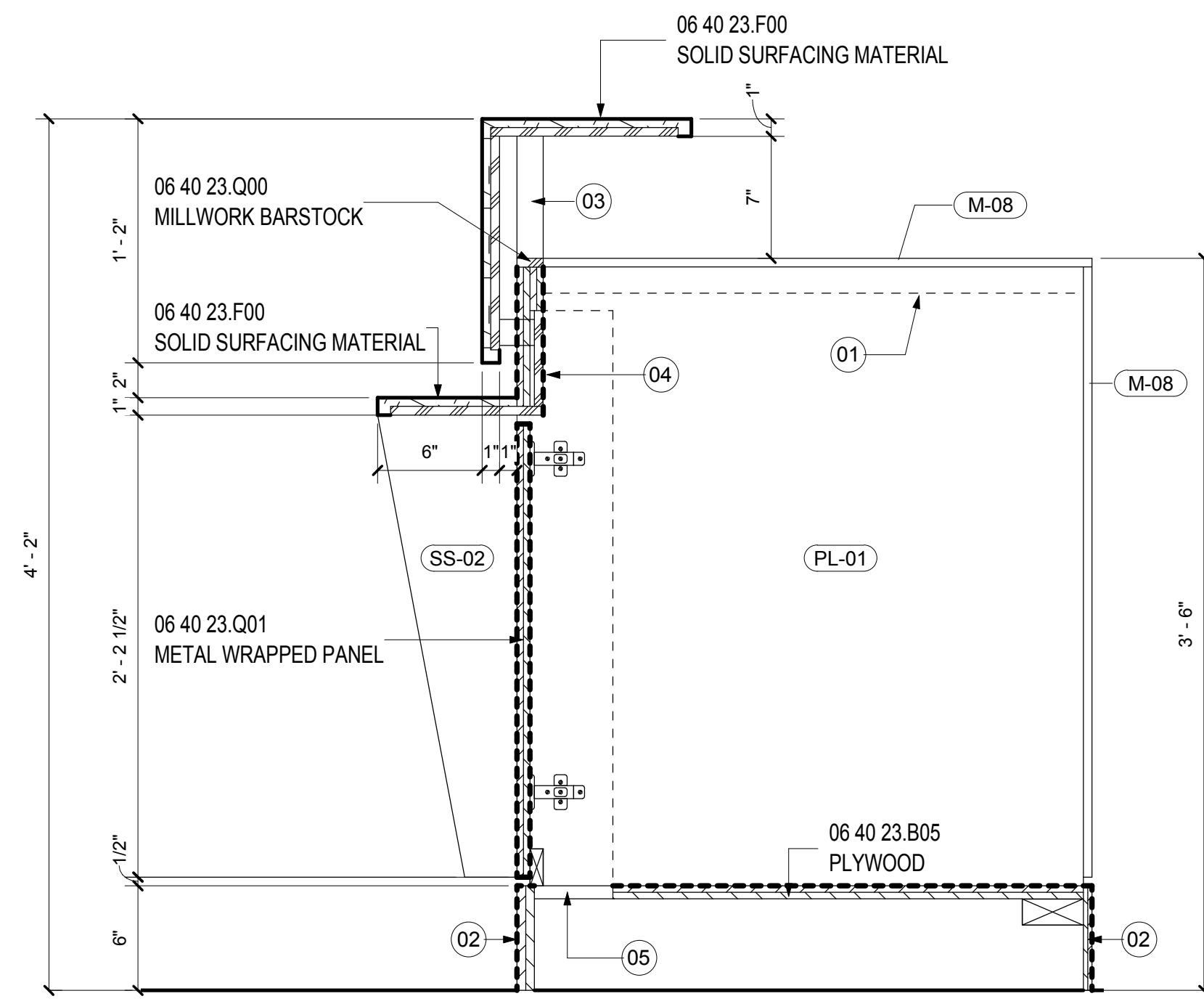
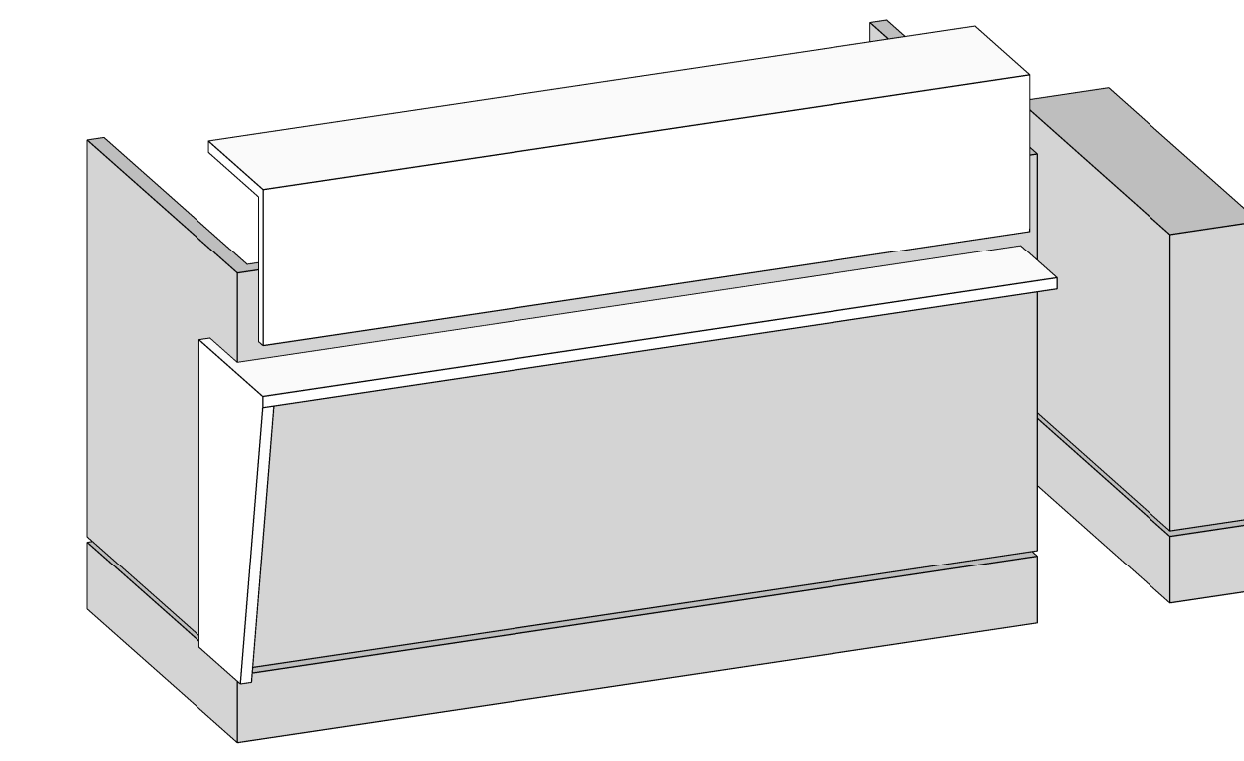
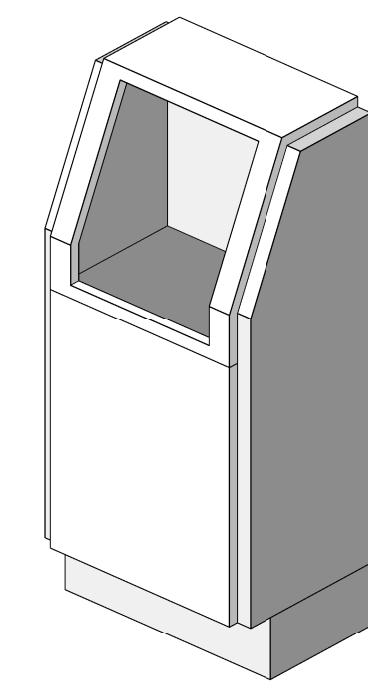


SHEET NOTES

- 01 AIR CARRIER STANDARD MILLWORK INSERT. CONTRACTOR TO PROVIDE AND VERIFY DIMENSIONS AND CONFIGURATION PRIOR TO FABRICATION
- 02 RUN METAL BASE CONTINUOUS TO MINIMIZE JOINTS
- 03 METAL SUPPORT AS REQUIRED; PAINTED P-01
- 04 COORDINATE EXTENT OF REQUIRED BACKWALL WITH AIR CARRIER'S EQPT/MILLWORK INSERTS
- 05 PROVIDE CUT OUT FOR CONCEALED ELECTRICAL DISTRIBUTION. COORDINATE MOUNTING AND ROUTING OF ELECTRICAL AND DATA.
- 06 AIR CARRIER PROVIDED EQUIP/MET. CONTRACTOR TO PROVIDE AND VERIFY DIMENSIONS AND CONFIGURATION PRIOR TO FABRICATION
- 07 SCHEDULED EQUIPMENT. REFER TO A03 SERIES AND PROJECT MANUAL FOR ADDITIONAL INFORMATION
- 08 MILLWORK DOOR TO SWING INDEPENDENTLY OF METAL FRAME. HINGES AND MAGNETIC CATCH LATCH TO BE HIDDEN.
- 09 STEEL TUBE FRAMING AND CONNECTION TO BE DESIGNED, SIGNED AND SEALED AS PART OF MILLWORK PACKAGE
- 10 STEEL BASE PLATE SHALL NOT EXTEND PAST MILLWORK BASE
- 11 PROVIDE SLOT(S) FOR VENTILATION
- 12 FLIGHT INFORMATION DISPLAY SYSTEM. COORDINATE MOUNTING AND P&C. REFER TO TELECOMMUNICATION DRAWINGS FOR ADDITIONAL INFORMATION. NO EXPOSED WIRES
- 13 STRUCTURAL STEEL. REFER TO STRUCTURAL DRAWINGS FOR ADDITIONAL INFORMATION
- 14 CONCEAL POWER AND DATA CABELING WITHIN STRUCTURAL STEEL
- 15 STAINLESS STEEL FOOTREST
- 16 3MM PVC EDGE TO MATCH ADJACENT PLAM
- 17 METAL ENCLOSURE PAINTED P-02
- 18 STAINLESS STEEL PULL
- 19 FAA REQUIRED SIGNAGE. REFER TO SIGNAGE AND WAYFIND DRAWINGS. COORDINATE MOUNTING AND RECESS DEPTH PRIOR TO FABRICATION
- 20 TSA PROVIDED LIGHT FIXTURE. COORDINATE ELECTRICAL WIRE ROUTING AND MOUNTING.
- 21 COORDINATE DEPTH WITH SELECTED SCREEN AND MOUNTING BRACKET
- 22 SELF SERVICE DEVICE (SSD) PROVIDED BY OTHERS. MILLWORKER TO COORDINATE OPENING DIMENSIONS AND WIRING ACCESS
- 23 PERFORATED ACCESS PANEL TO ALLOW ACCESS TO CPU DRIVER. COORDINATE WITH SCHEDULED EQUIPEMENT AND MOUNTING BRACKET
- 24 COORDINATE HEIGHT WITH AIRLINE EQUIPMENT



GATE COUNTER SECTION

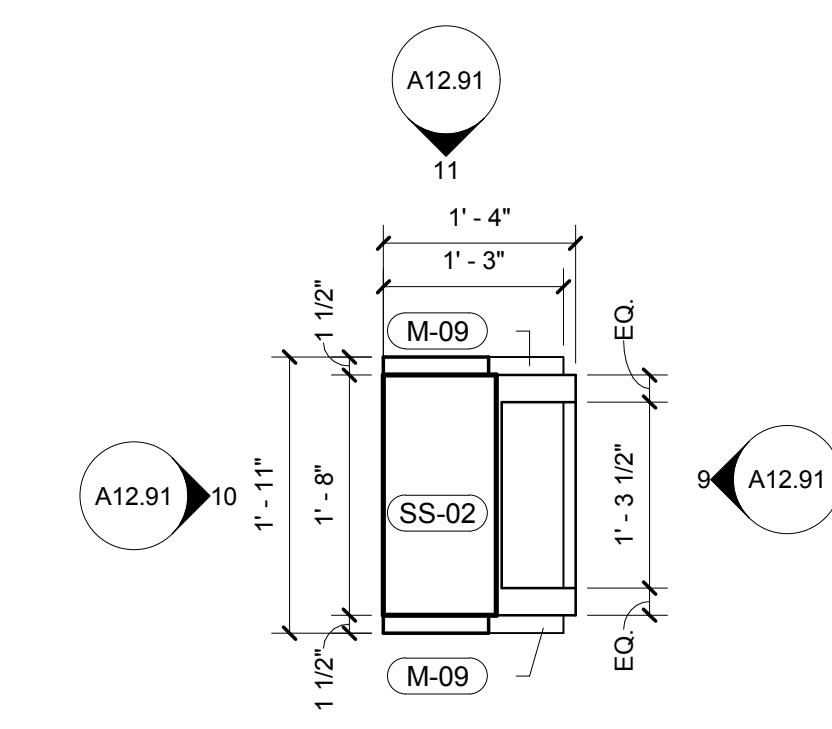
SCALE: 1/2" = 1'-0"

A12.91

12

SSD KIOSK

SCALE:



SSD KIOSK PLAN

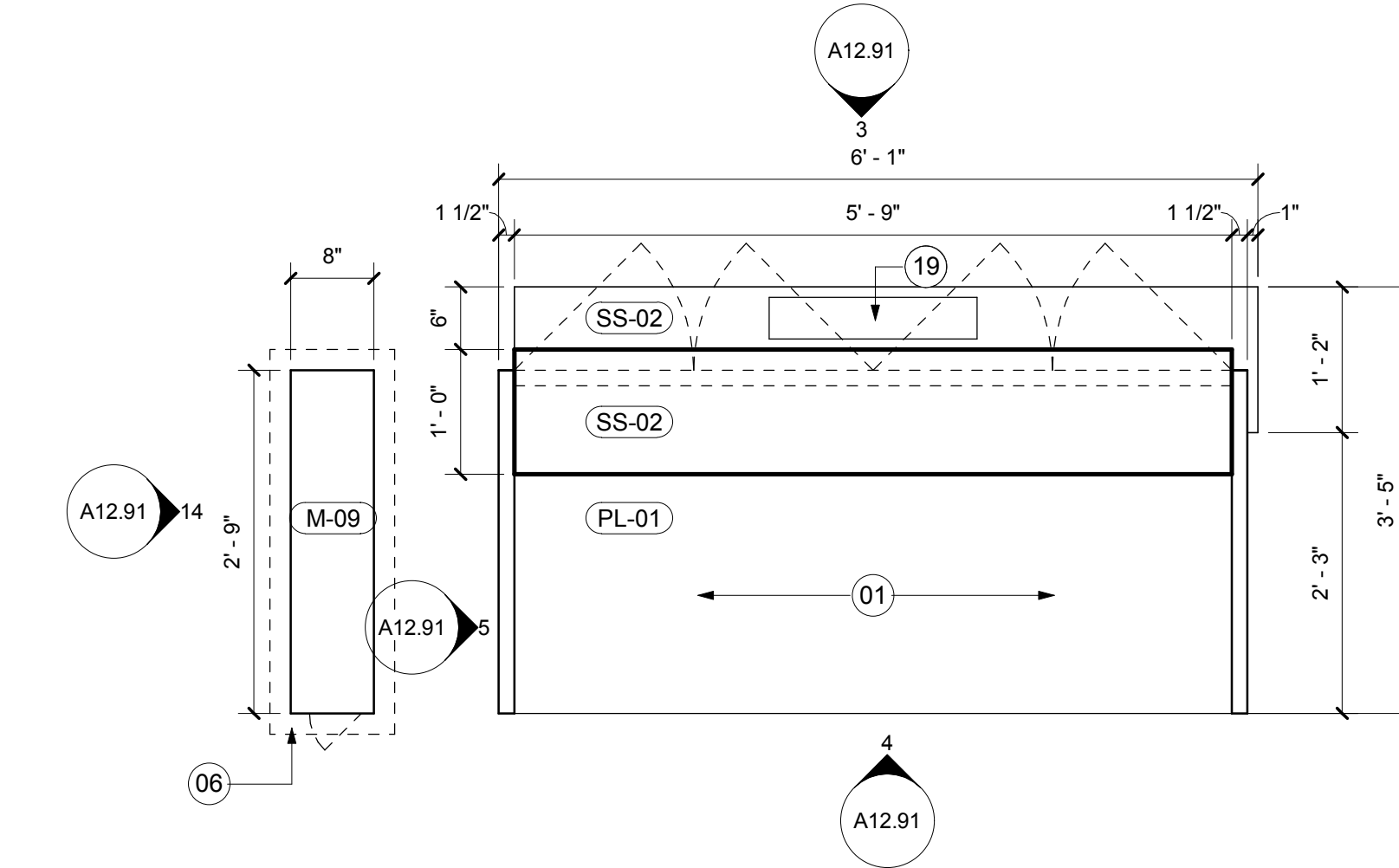
SCALE: 3/4" = 1'-0"

A02.02.05

8

GATE COUNTER

SCALE:

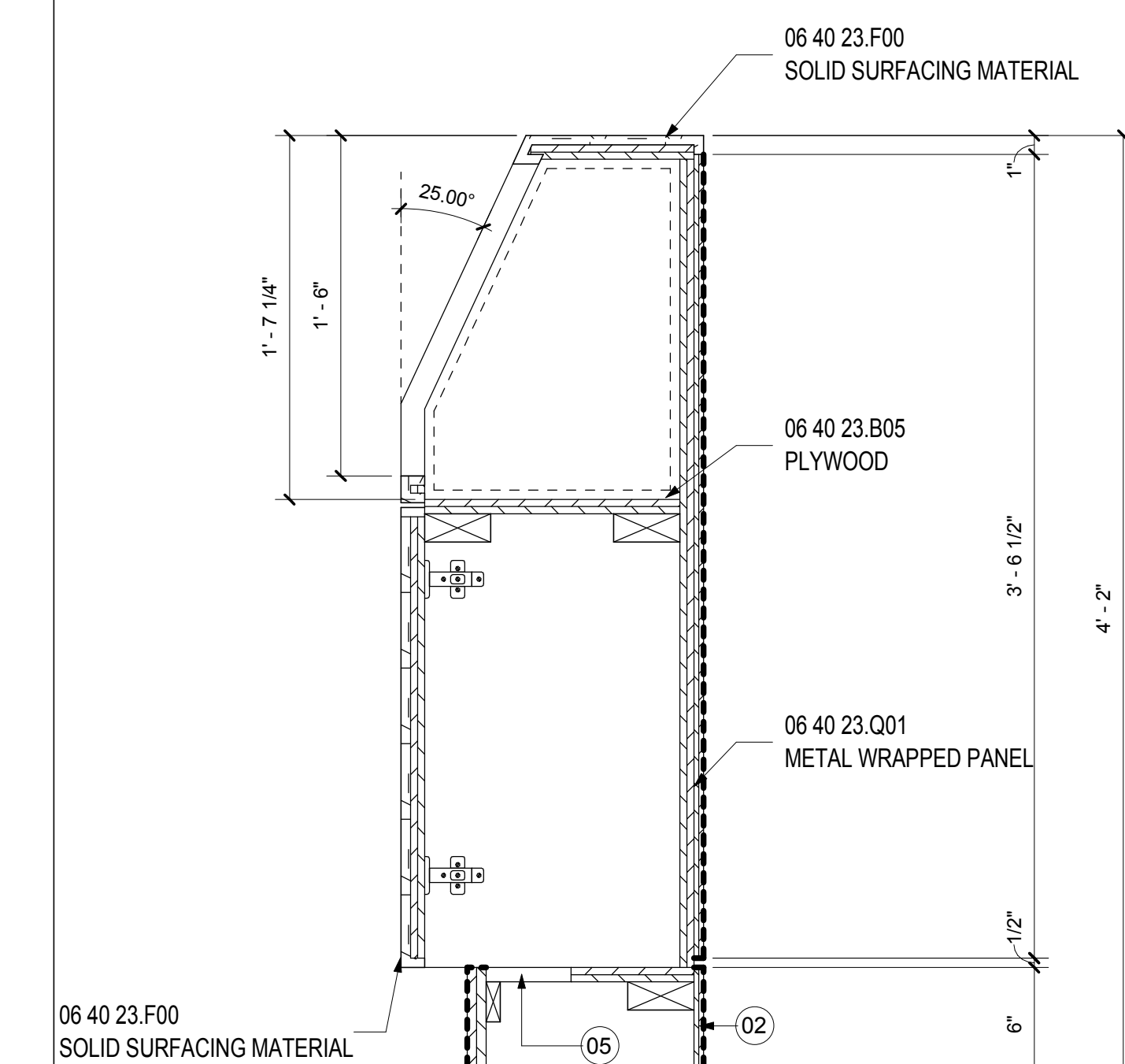


GATE COUNTER PLAN

SCALE: 3/4" = 1'-0"

A02.03.02

2



MILWORK KIOSK SECTION

SCALE: 1/2" = 1'-0"

A12.91

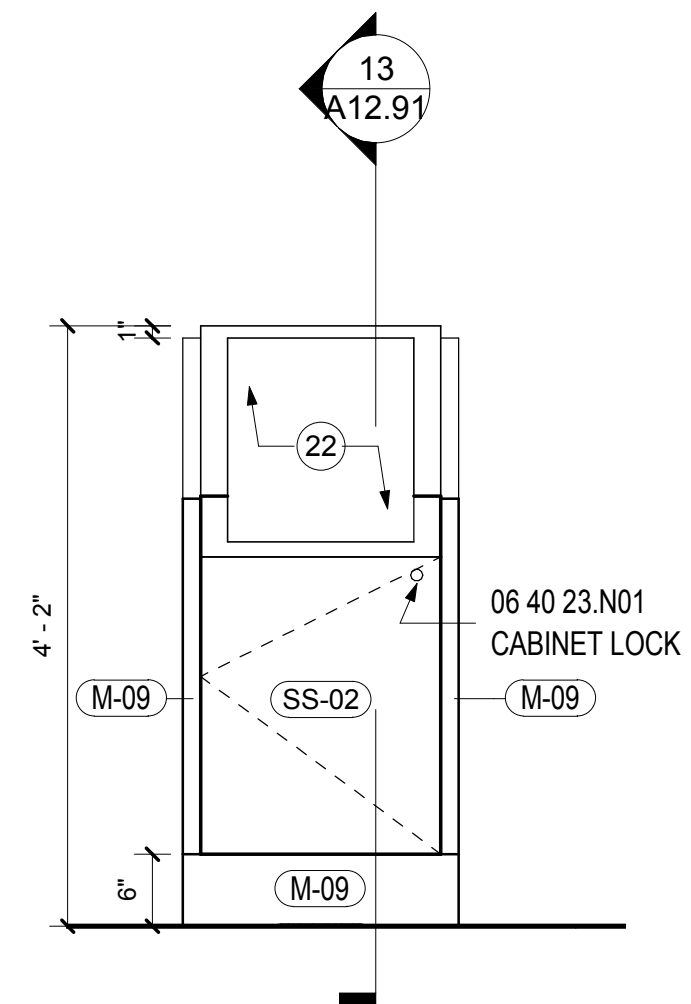
13

MILWORK KIOSK ELEV. - FRONT

SCALE: 3/4" = 1'-0"

A12.91

9



MILWORK KIOSK ELEV. - BACK

SCALE: 3/4" = 1'-0"

A12.91

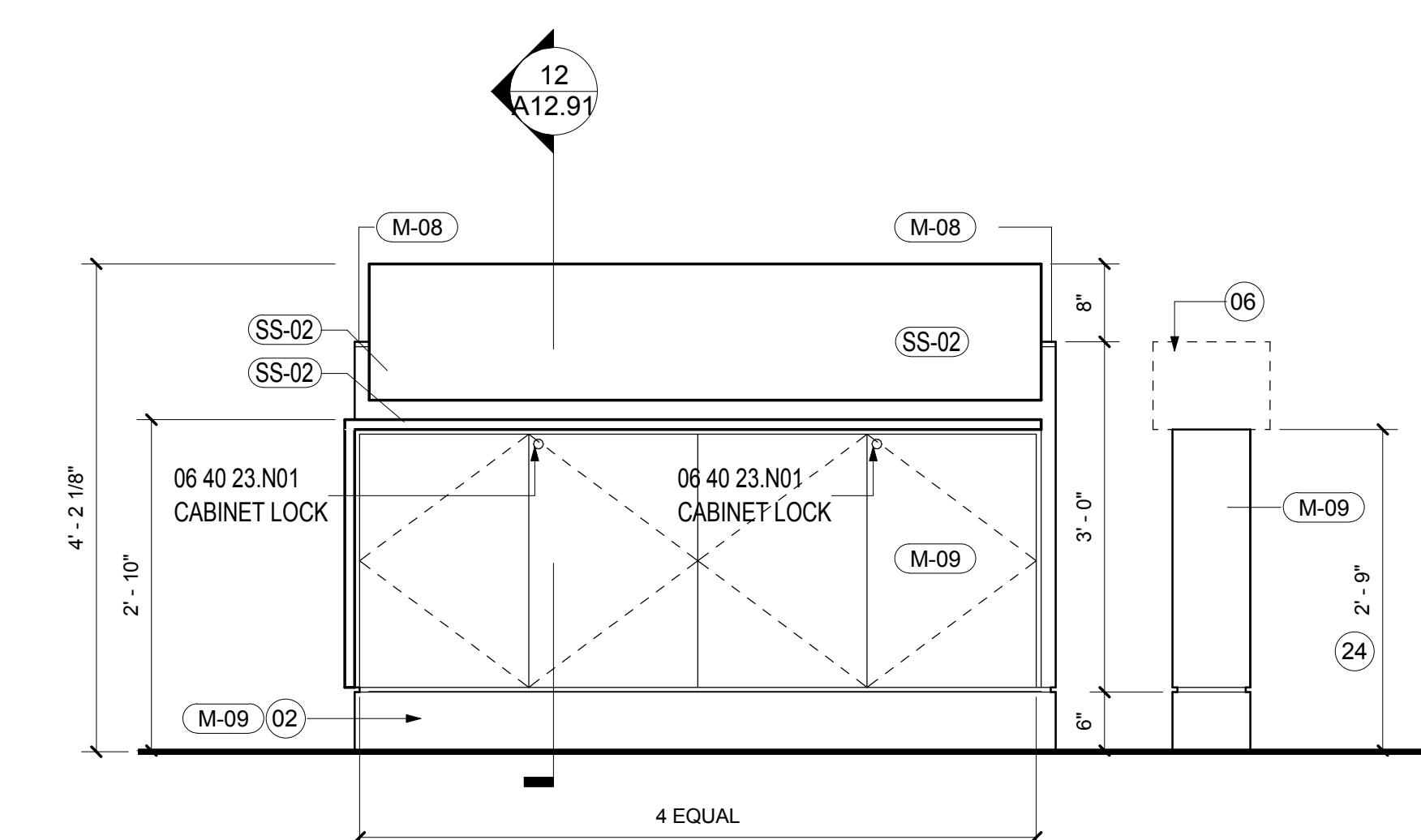
10

GATE COUNTER ELEV. - FRONT

SCALE: 3/4" = 1'-0"

A12.91

3

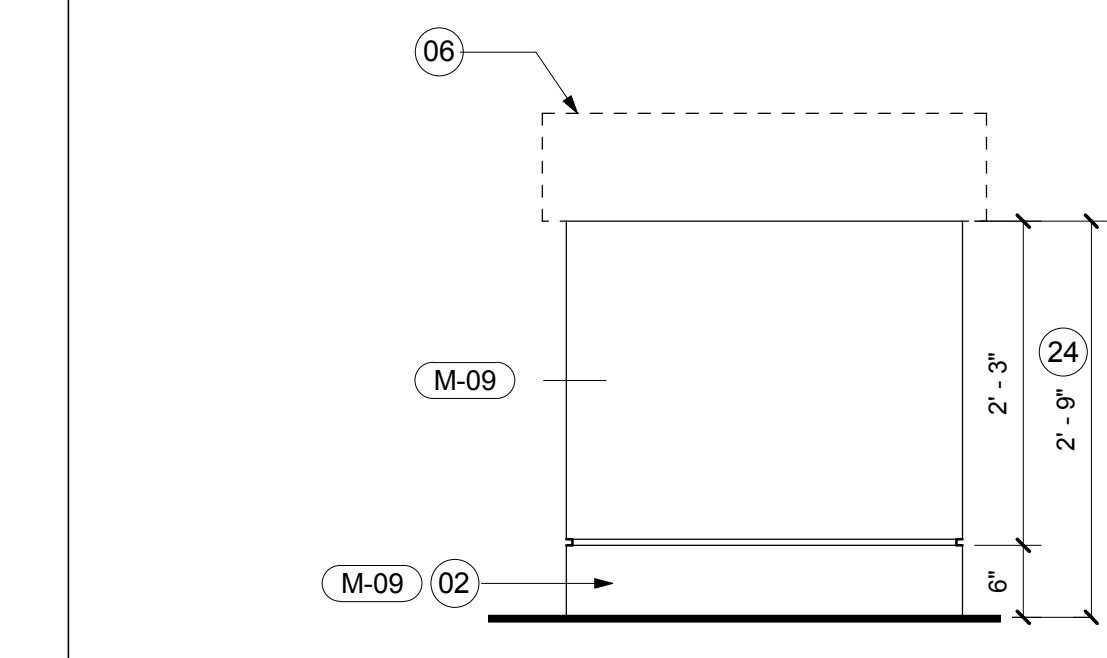
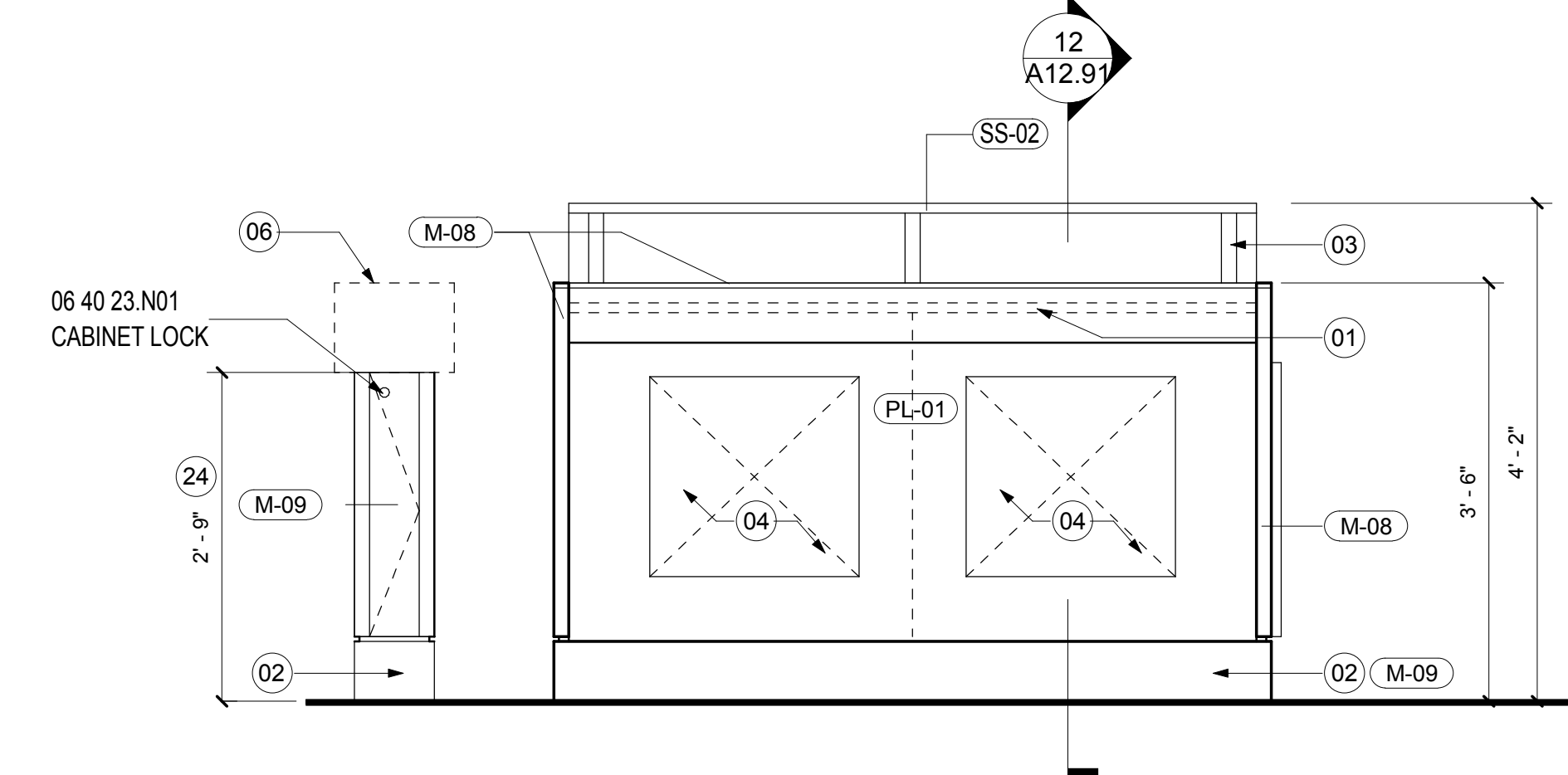


GATE COUNTER ELEV. - BACK

SCALE: 3/4" = 1'-0"

A12.91

4

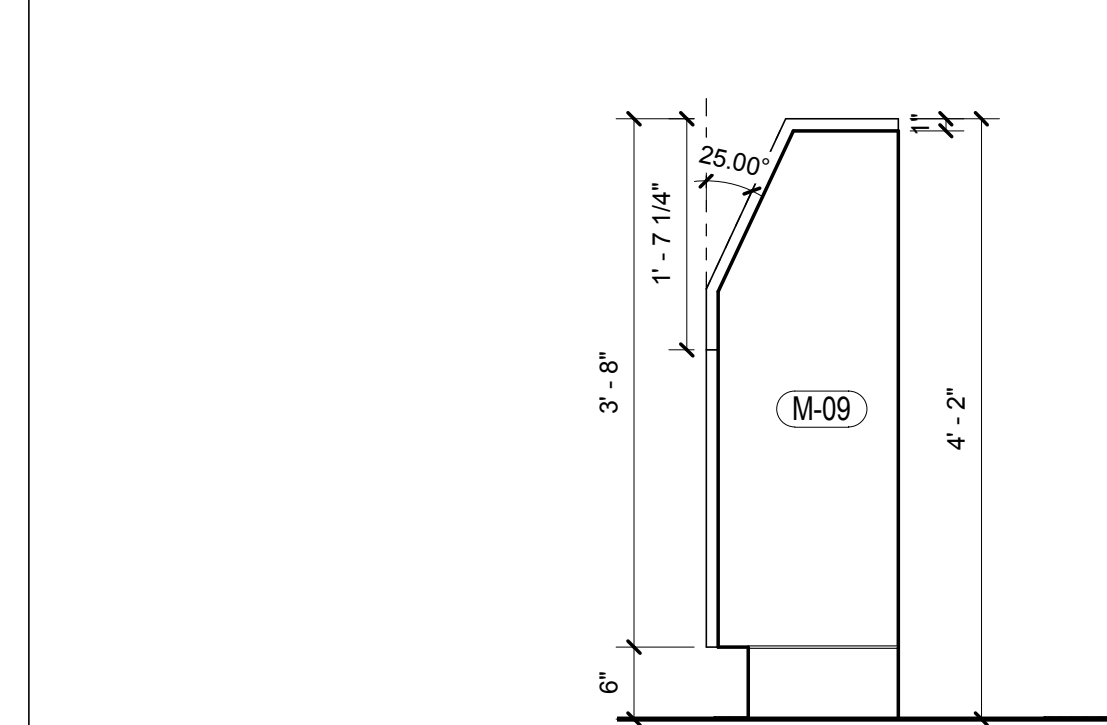


TICKET LIFT ELEV.

SCALE: 3/4" = 1'-0"

A12.91

14



MILWORK KIOSK ELEV. - SIDE

SCALE: 3/4" = 1'-0"

A12.91

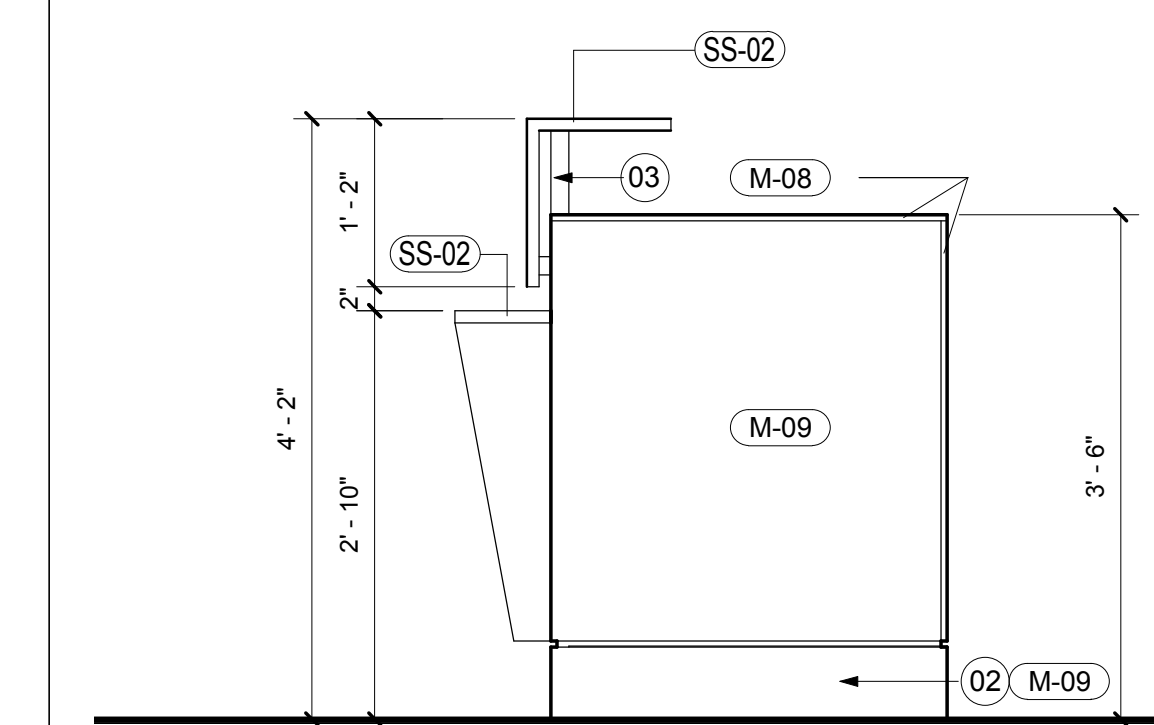
11

GATE COUNTER ELEV. - SIDE

SCALE: 3/4" = 1'-0"

A09.63

6



GATE COUNTER ELEV. - SIDE

SCALE: 3/4" = 1'-0"

A09.63

5

GENERAL NOTES

- A COORDINATE ALL CLEAR WIDTHS WITH AIRLINE'S EQPT/MILLWORK INSERTS PRIOR TO FABRICATION.
- B ALL CABINET INTERIORS TO BE PL-01 U.O.N
- C REFER TO EQUIPMENT SCHEDULE IN PROJECT MANUAL APPENDIX A.
- D EASE ALL EXPOSED STAINLESS STEEL BARSTOCK EDGES

Seal/Signature

Project Name
PWM Terminal Enhancement

Project Number
09-6395-000

Description
MILLWORK DETAILS

Scale
As indicated

A12.91

© 2009 Gensler