

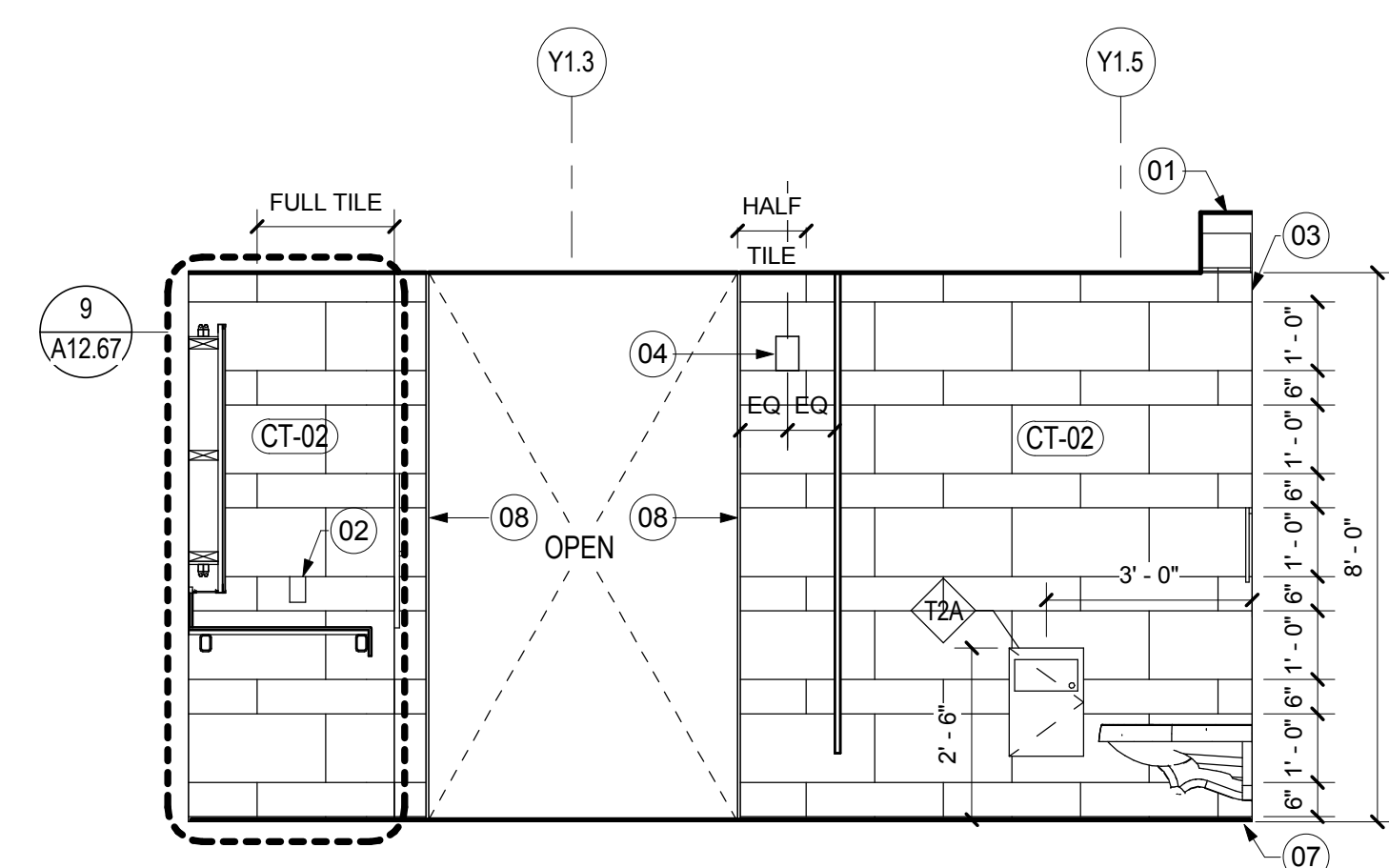
SHEET NOTES

- 01 SCHEDULED LIGHT FIXTURE.
- 02 GFI RECEPTACLE MOUNTED VERTICALLY AT 42" AFF MAX. ALIGN TO RECEPTACLE WITH GROUT LINE. RE: DETAIL FOR EXACT LOCATION HORIZONTALLY.
- 03 LOCATION OF CUT TILE.
- 04 STROBE MOUNTED AT 80" AFF CENTERLINE OF DEVICE.
- 05 SEAM OF MIRROR.
- 06 STAINLESS STEEL EDGE PROTECTION PROFILE TYPICAL AT ALL OUTSIDE CORNERS OF TILE. RE: DETAIL 10/A12.67.
- 07 STAINLESS STEEL COVE SHAPED WALL/FLOOR TRANSITION. RE: DETAIL 8/A12.67.
- 08 STAINLESS STEEL MT-04 END CAP

Portland International Jetport
 1001 Westbrook Street
 Portland, Maine 04102

2020 K Street, Northwest
 Suite 200
 Washington DC 20006
 Telephone 202.721.5200
 Facsimile 202.872.8587

Gensler

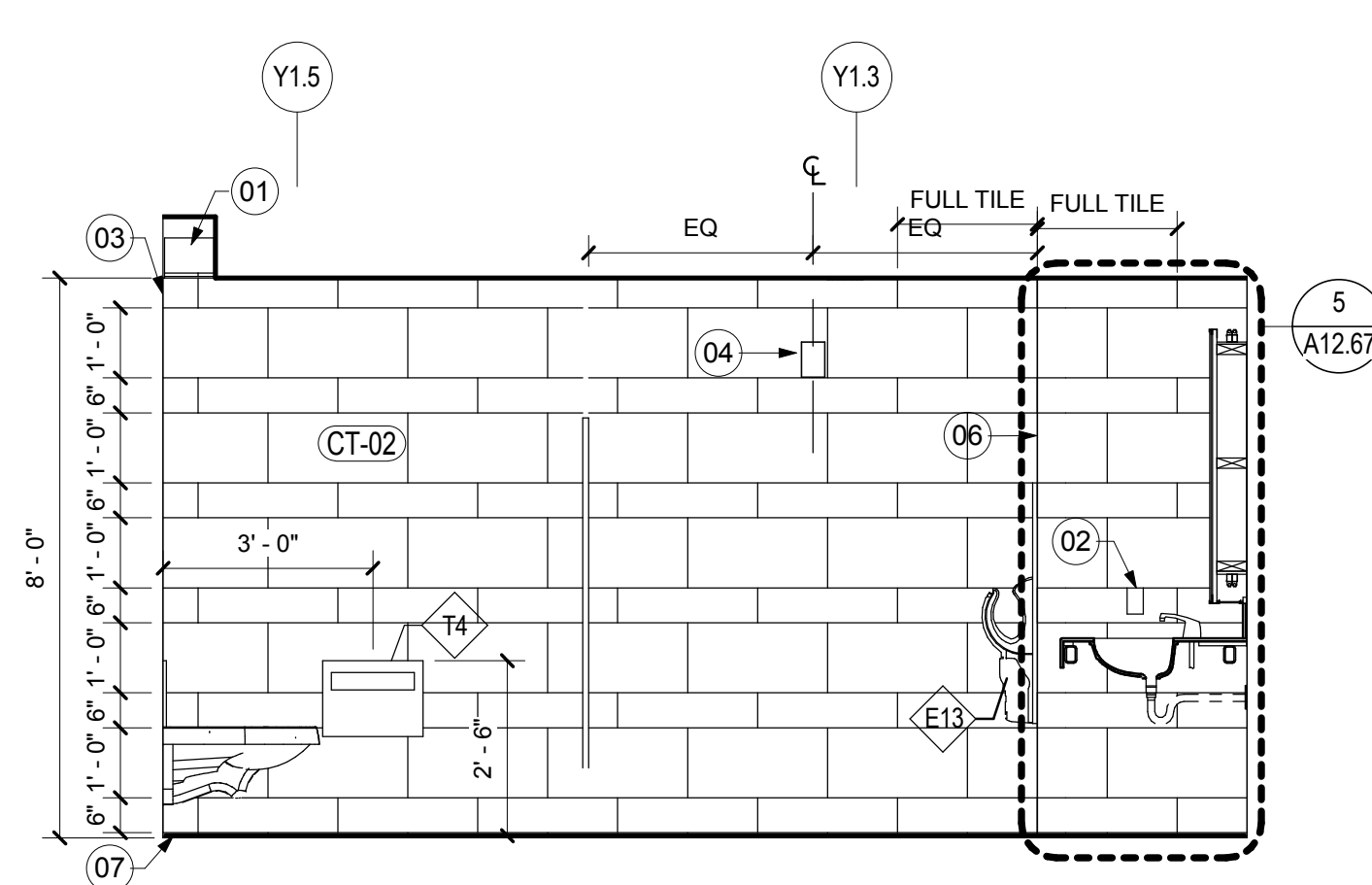


WOMENS 2507 - SOUTH

SCALE: 3/8" = 1'-0"

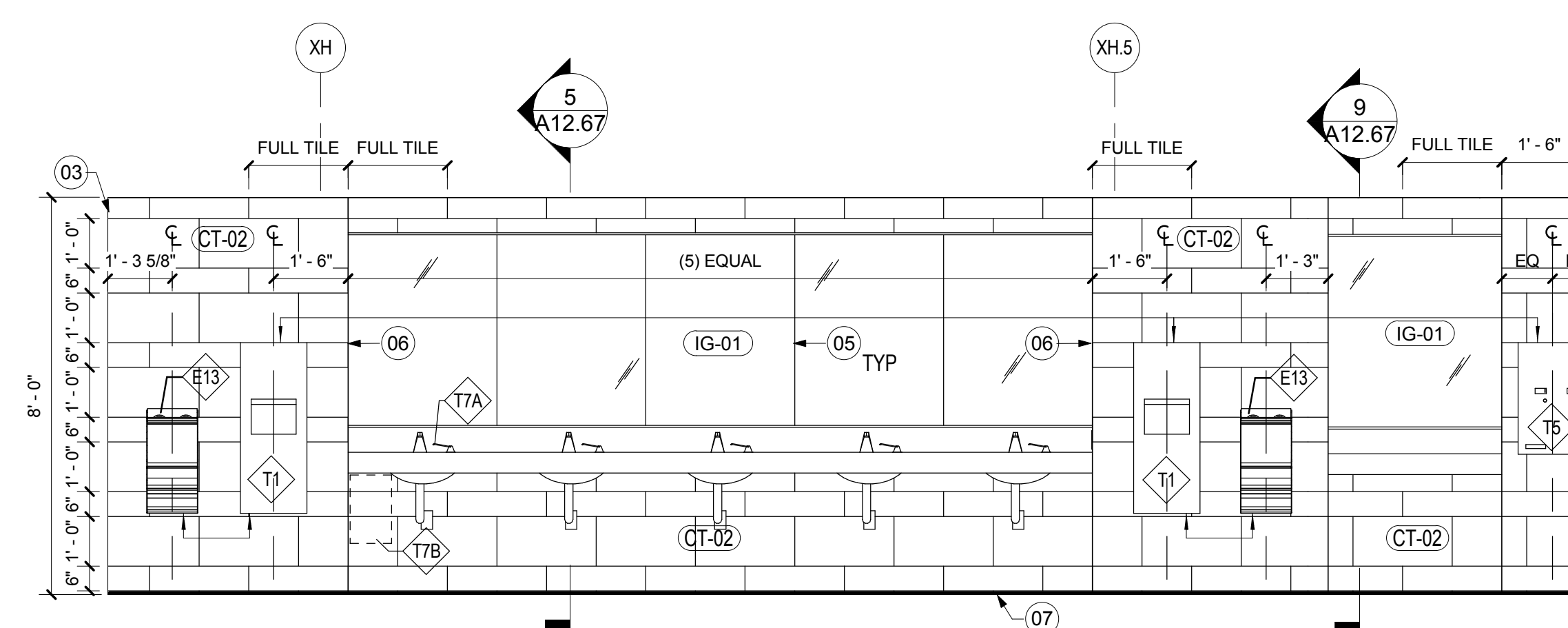
1C WOMENS 2507 - NORTH

SCALE: 3/8" = 1'-0"



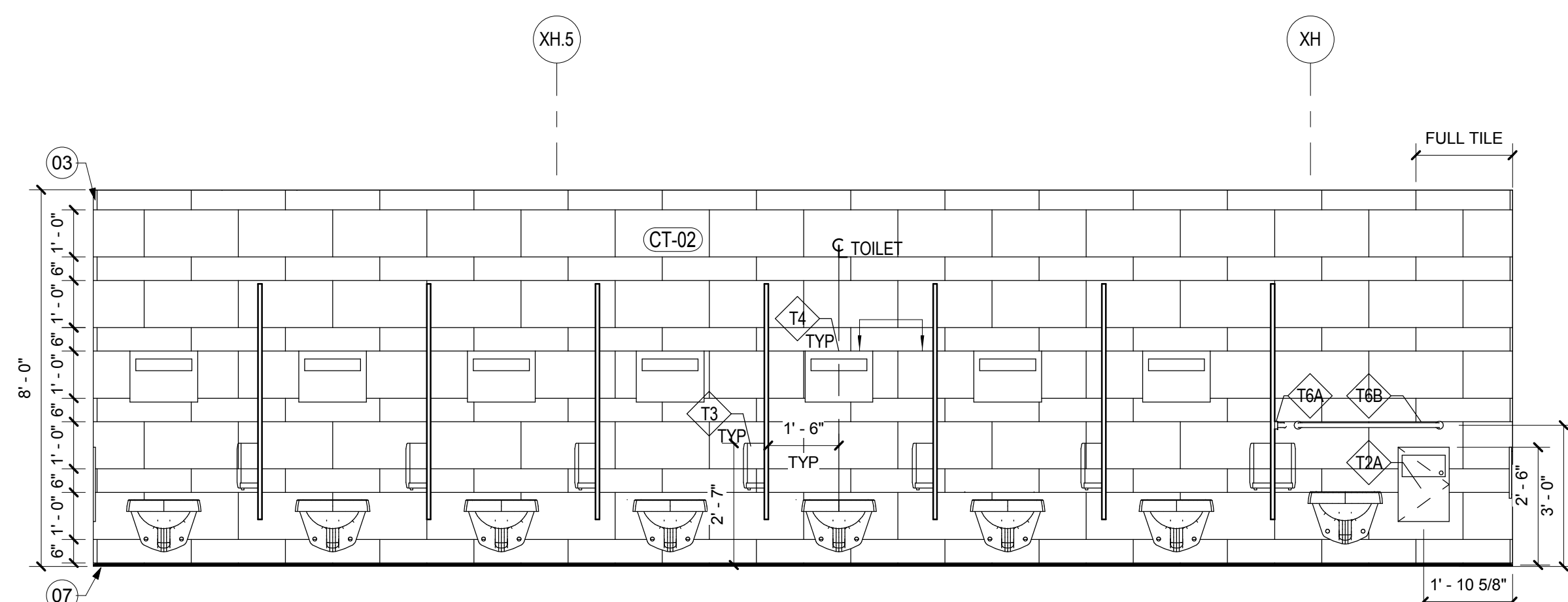
1B WOMENS 2507 - EAST

SCALE: 3/8" = 1'-0"



1A

A08.01



WOMENS 2507 - WEST WALL

SCALE: 3/8" = 1'-0"

2B

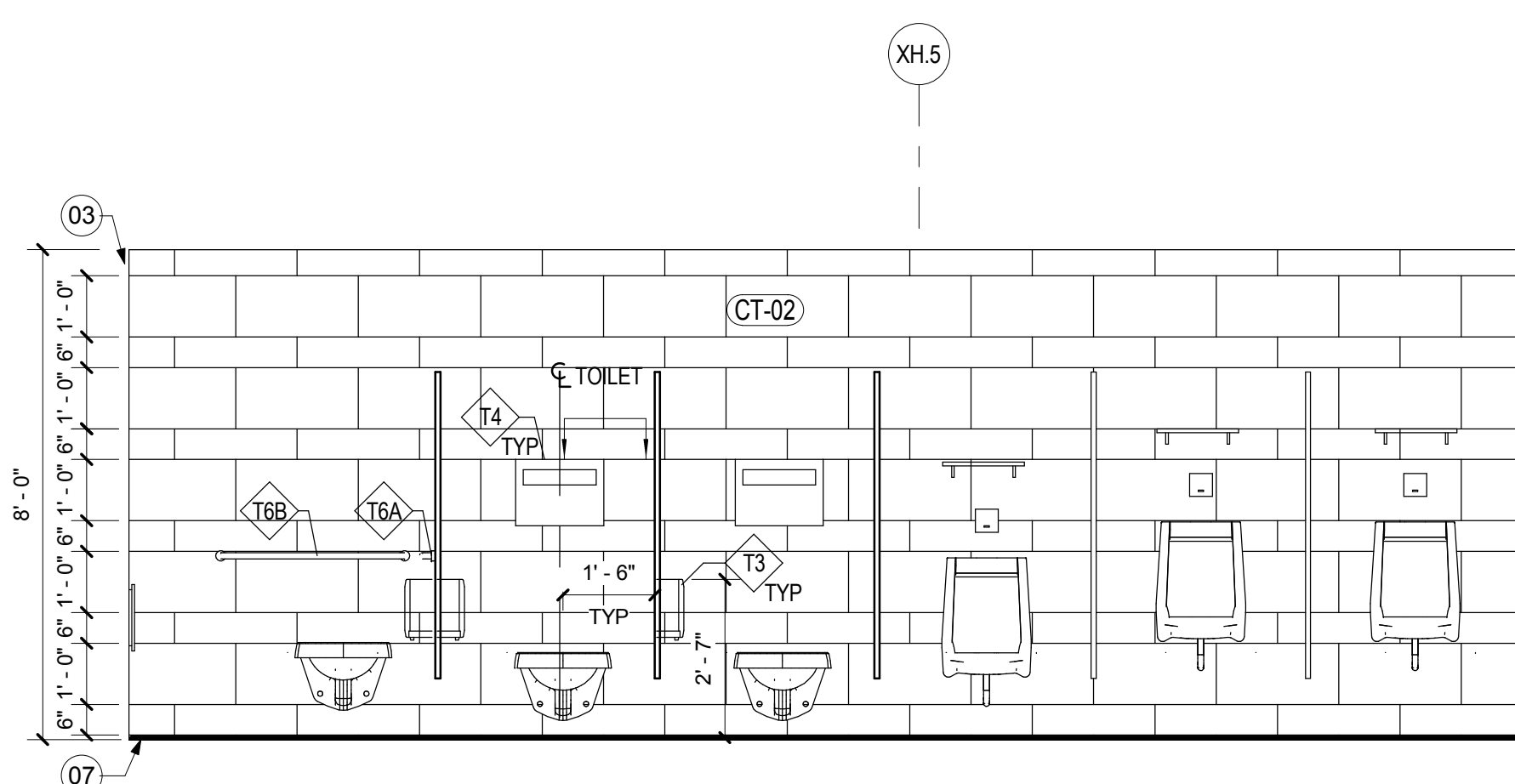
A08.01

WOMENS 2507 - WEST

SCALE: 3/8" = 1'-0"

2A

A08.01



MENS 2510 - EAST WALL

SCALE: 3/8" = 1'-0"

3B

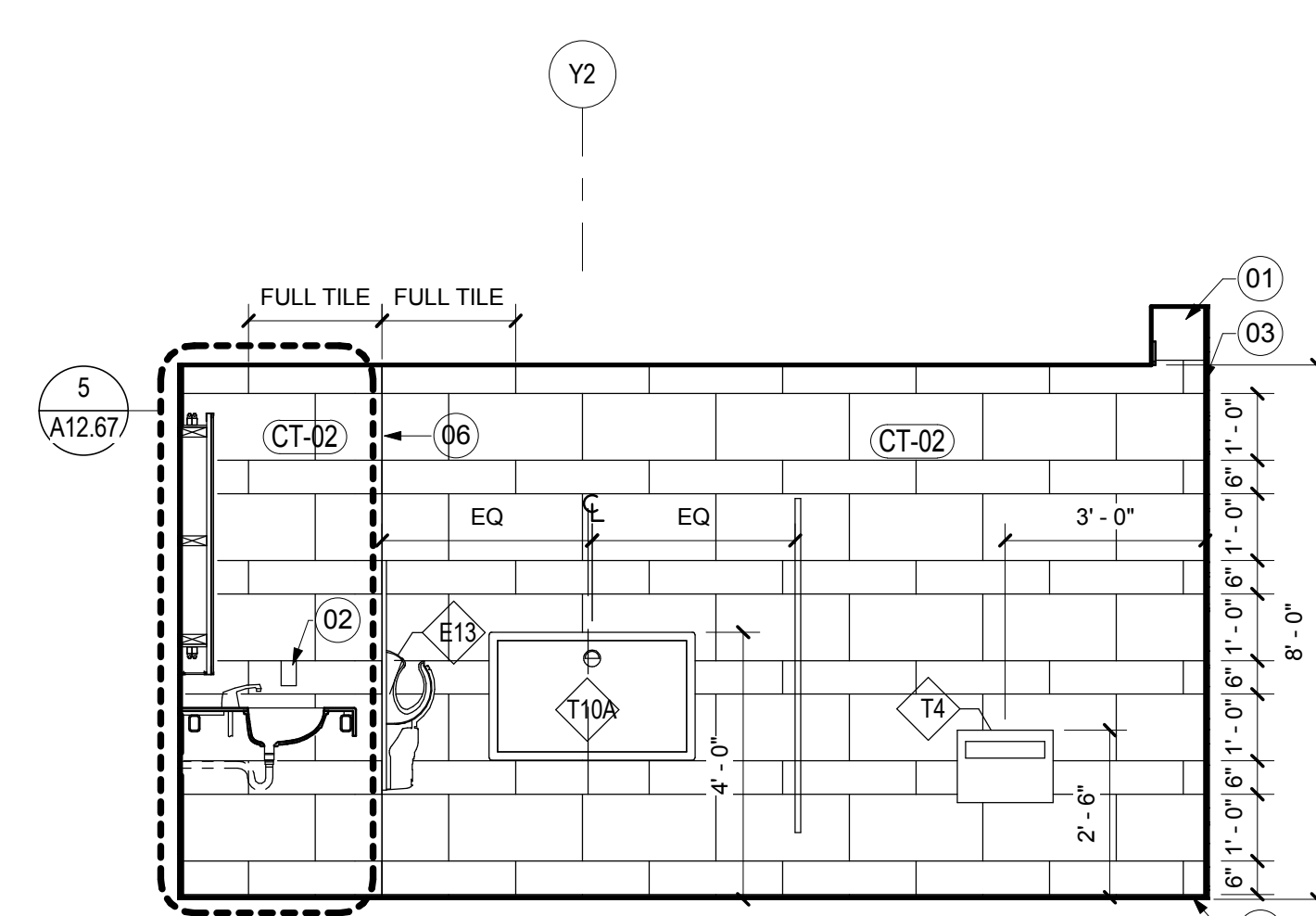
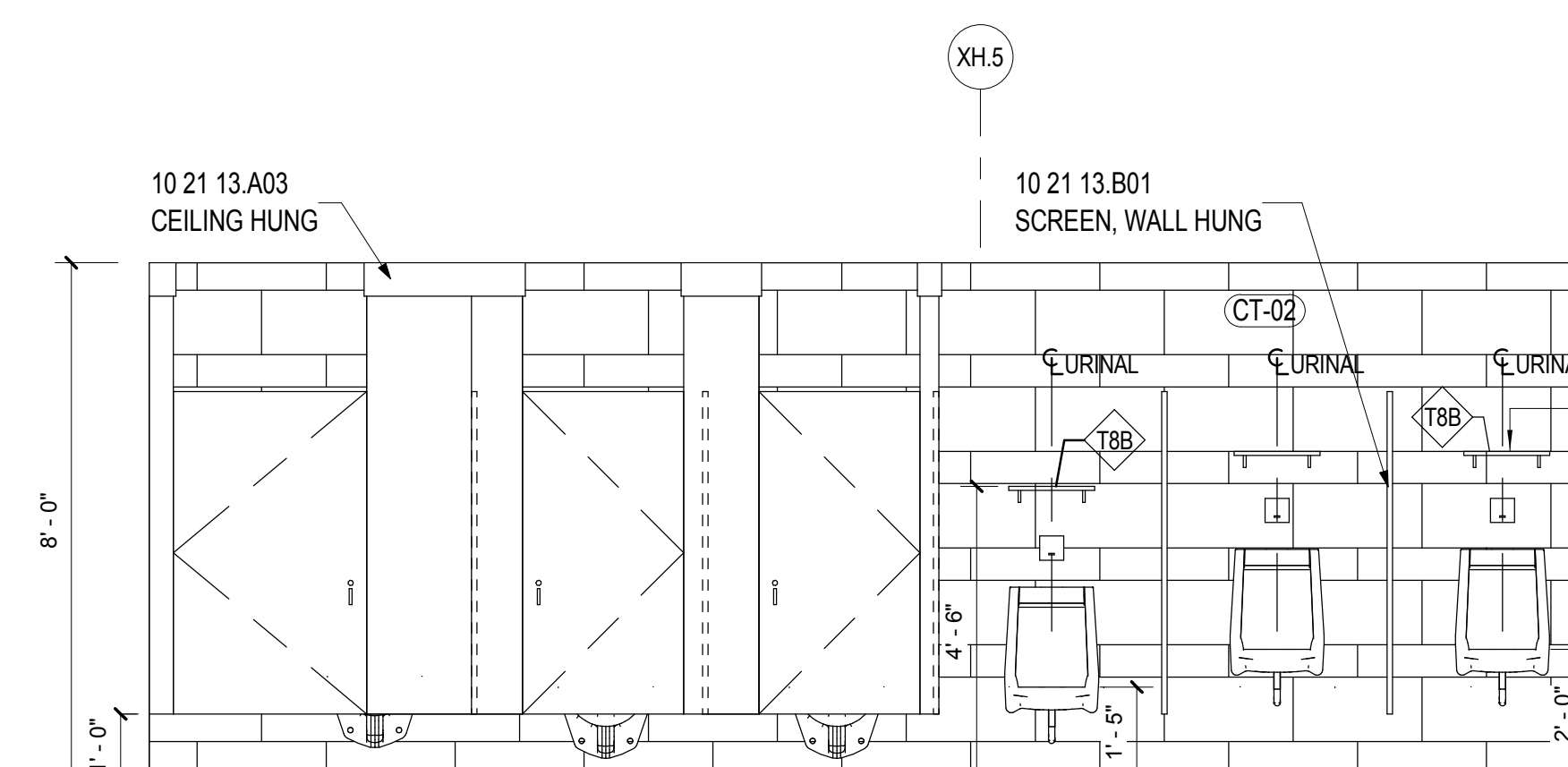
A08.01

MENS 2510 - EAST

SCALE: 3/8" = 1'-0"

3A

A08.01

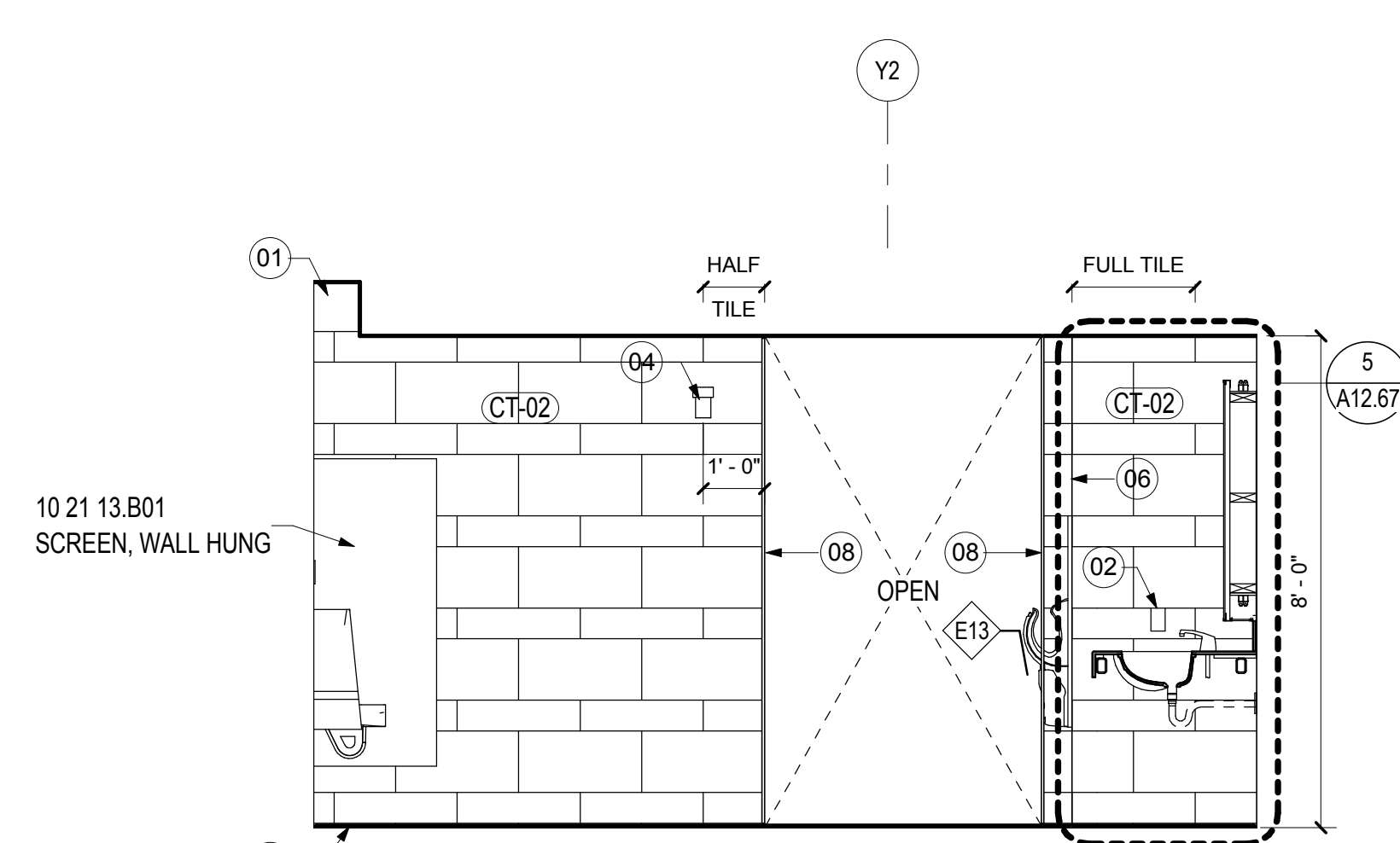


MENS 2510 - NORTH

SCALE: 3/8" = 1'-0"

4C MENS 2510 - SOUTH

SCALE: 3/8" = 1'-0"

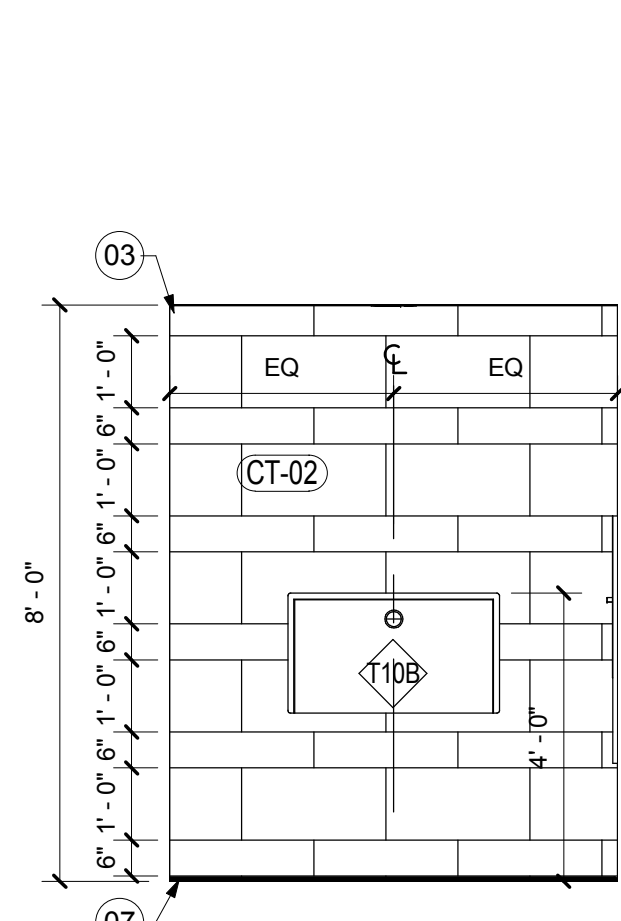
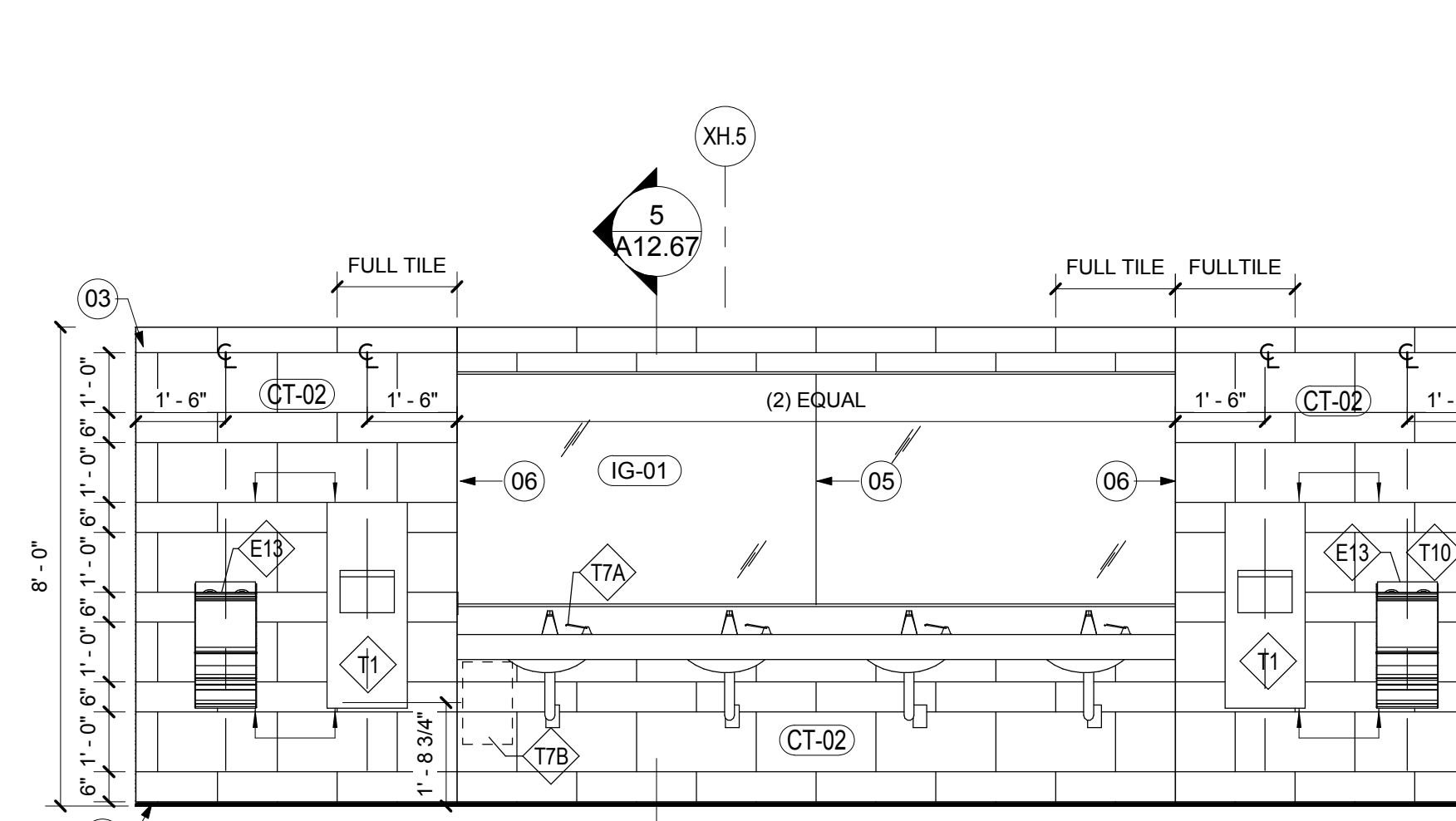


4B MENS 2510 - WEST

SCALE: 3/8" = 1'-0"

4A

A08.01

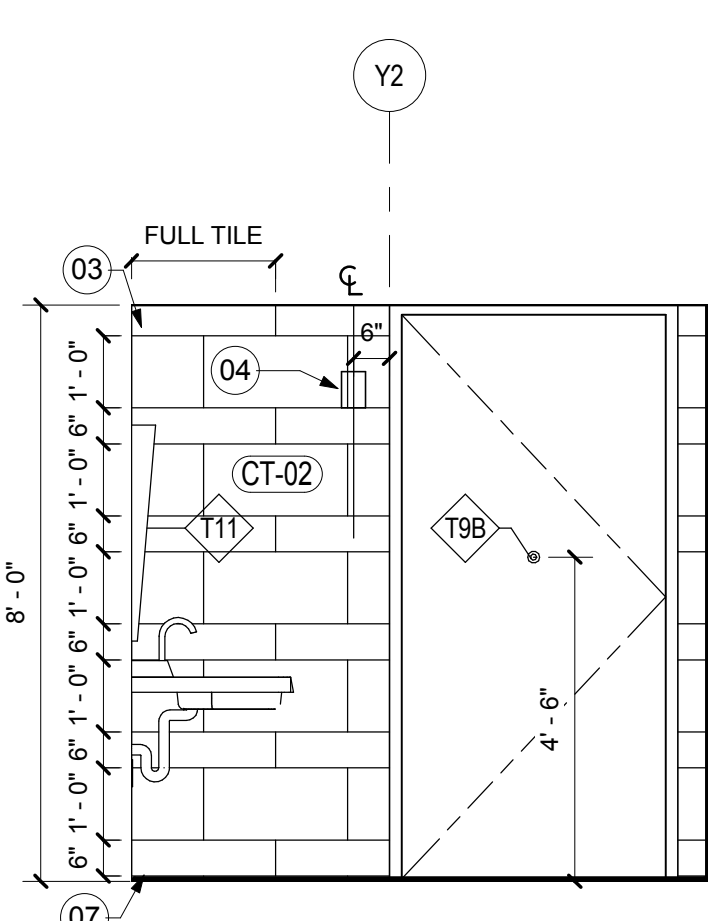


COMPANION 2512 - WEST

SCALE: 3/8" = 1'-0"

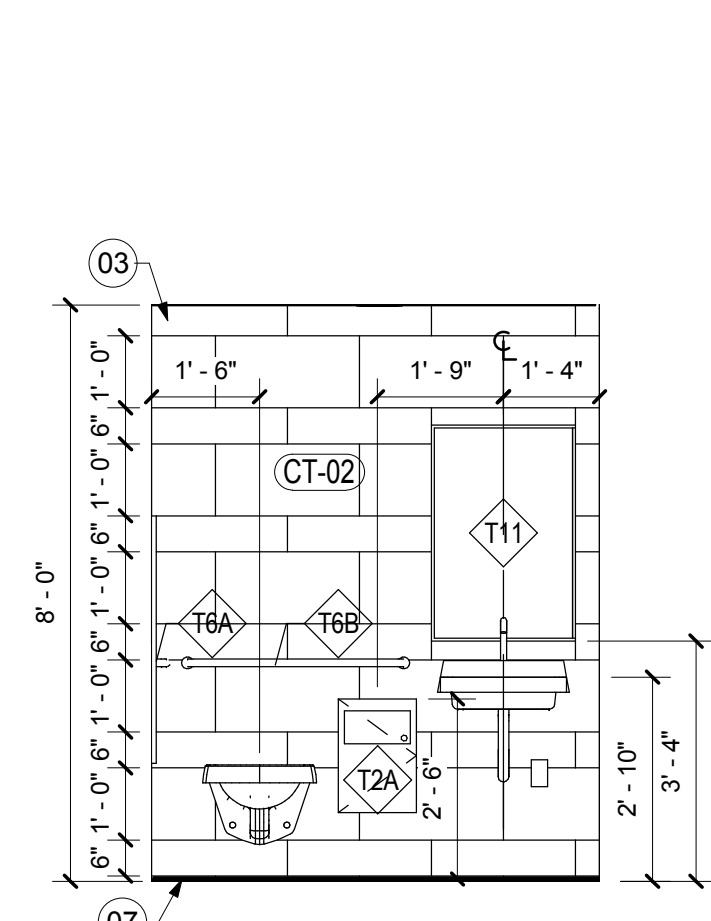
5D COMPANION 2512 - SOUTH

SCALE: 3/8" = 1'-0"



5C COMPANION 2512 - EAST

SCALE: 3/8" = 1'-0"



5B COMPANION 2512 - NORTH

SCALE: 3/8" = 1'-0"

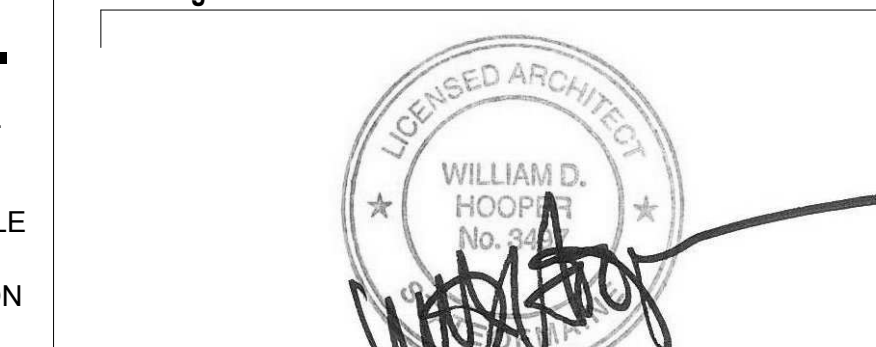
5A

A08.01

GENERAL NOTES

- A. ALL DIMENSIONS ARE TO FINISHED FACE OF MATERIAL. COORDINATE WITH FINISH THICKNESS.
- B. RE: A00.13 FOR ACCESSORY MOUNTING HEIGHTS U.O.N. ON ELEVATIONS.
- C. RE: PROJECT MANUAL FOR ACCESSORY SCHEDULE AND FURTHER INFORMATION.
- D. RE: PLUMBING SPECIFICATIONS FOR INSTALLATION OF ALL PLUMBING EQUIPMENT.
- E. RE: PROJECT MANUAL FOR LIGHTING SPECIFICATIONS.
- F. ALL PIPES UNDER LAVATORY TO BE INSULATED. RE: PROJECT MANUAL FOR MORE INFORMATION.
- G. TOILET PARTITIONS TO BE CEILING HUNG. RE: PROJECT MANUAL FOR MORE INFORMATION.

Seal/Signature



Project Name
 PWM Terminal Enhancement

Project Number
 09 6395.000

Description
 INTERIOR ELEVATIONS

Scale
 As indicated

A11.31

© 2009 Gensler