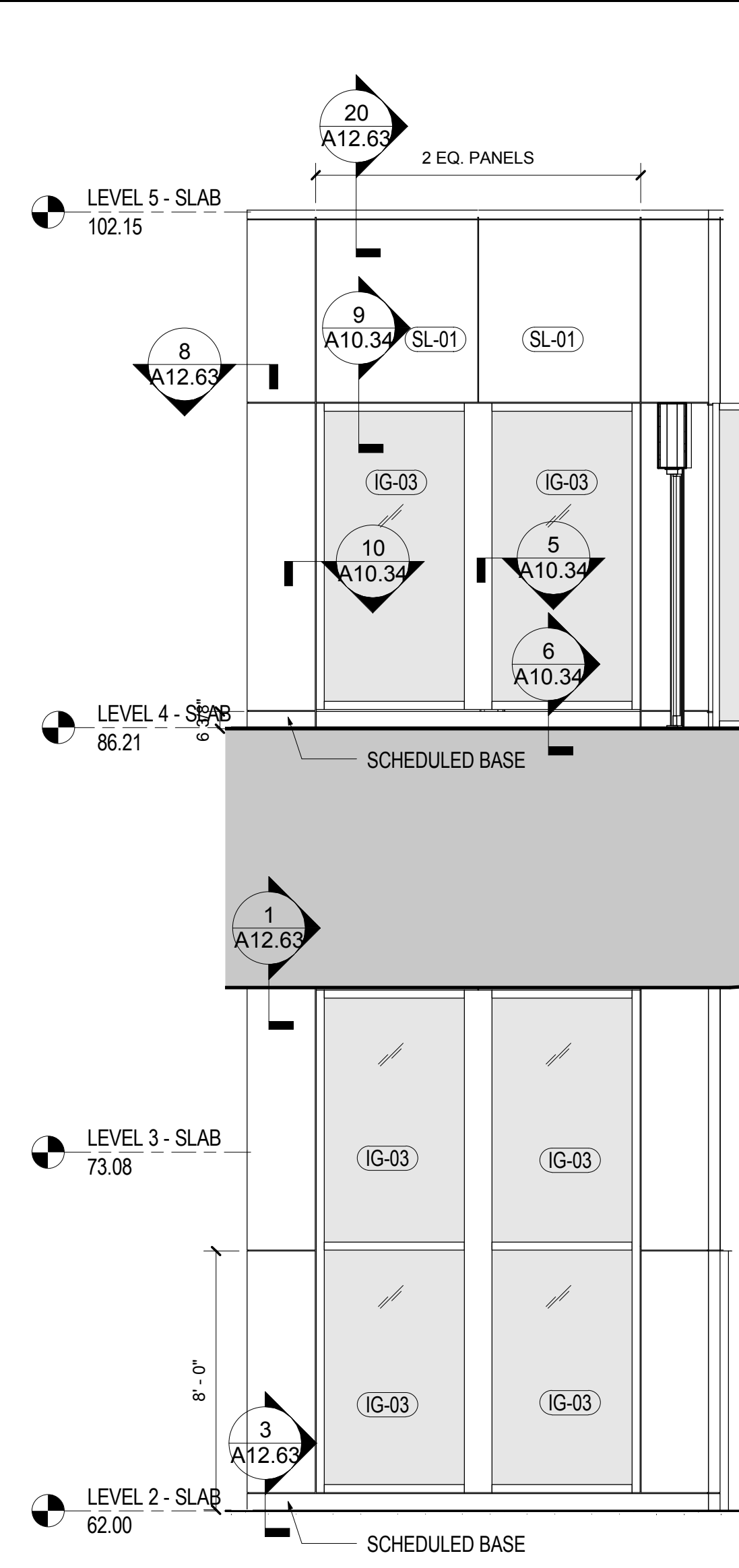
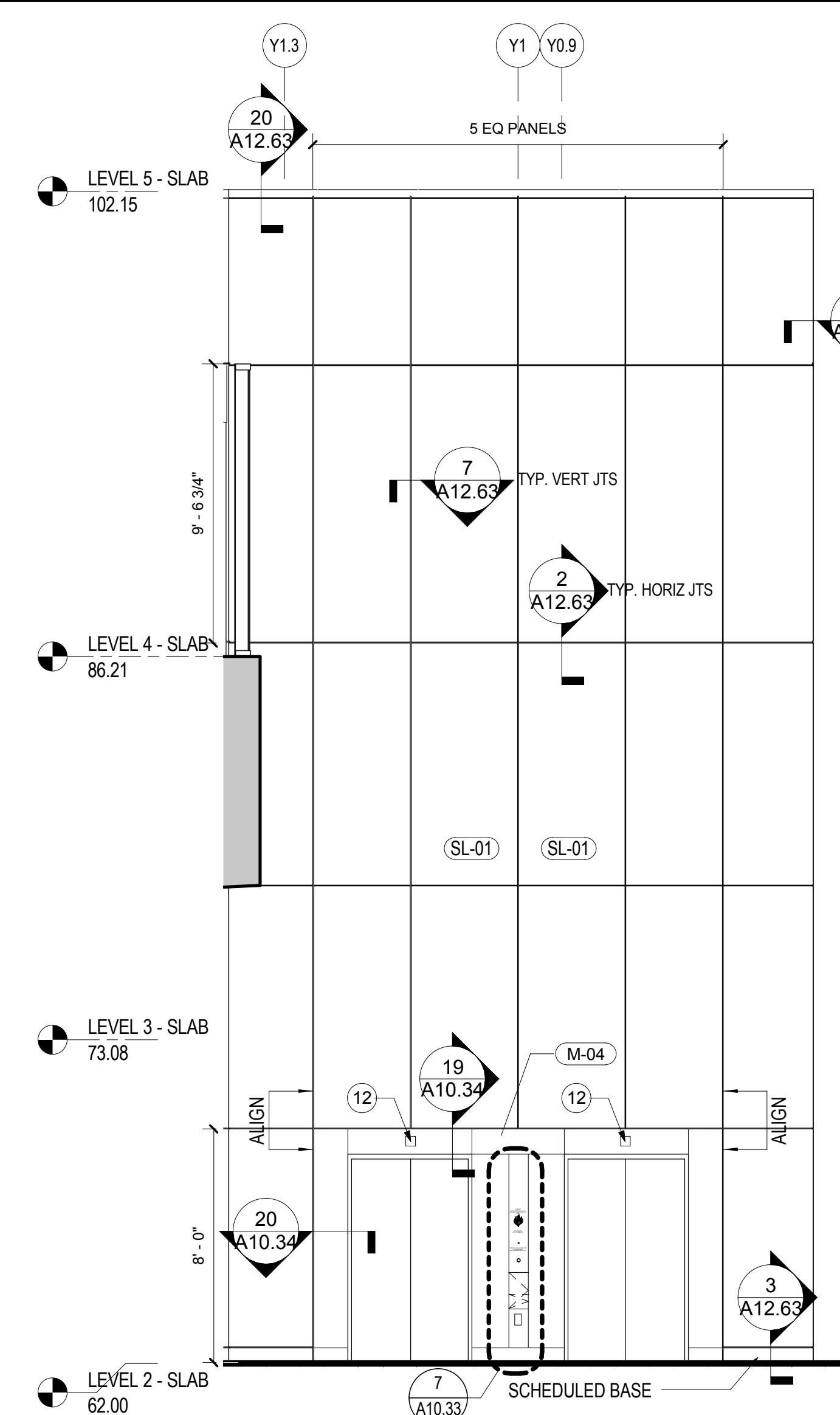


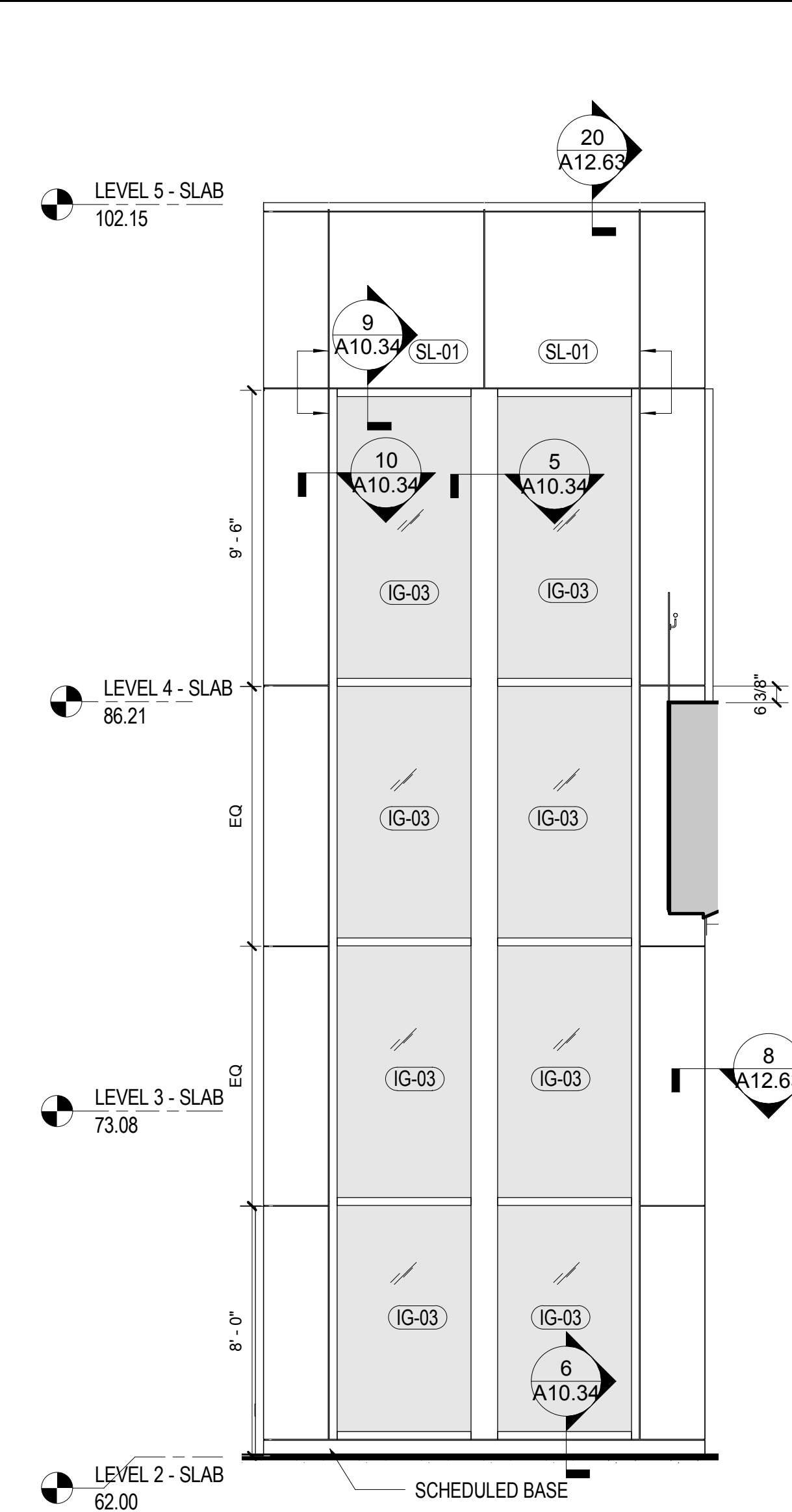
**ELEVATOR - NORTH @ TICKETING**  
SCALE: 1/4" = 1'-0" A09.52



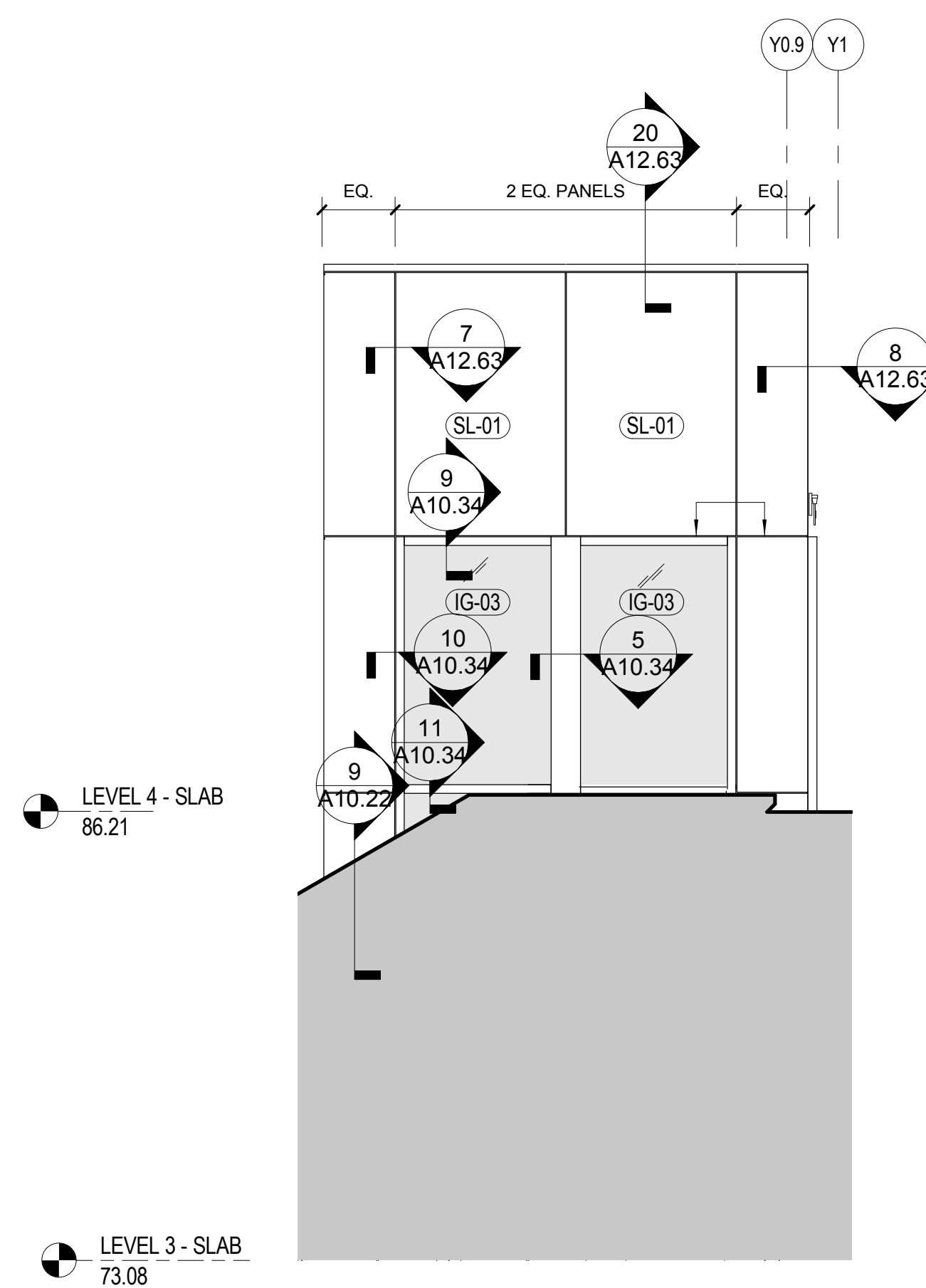
**ELEVATOR - WEST @ TICKETING**  
SCALE: 1/4" = 1'-0" A09.52



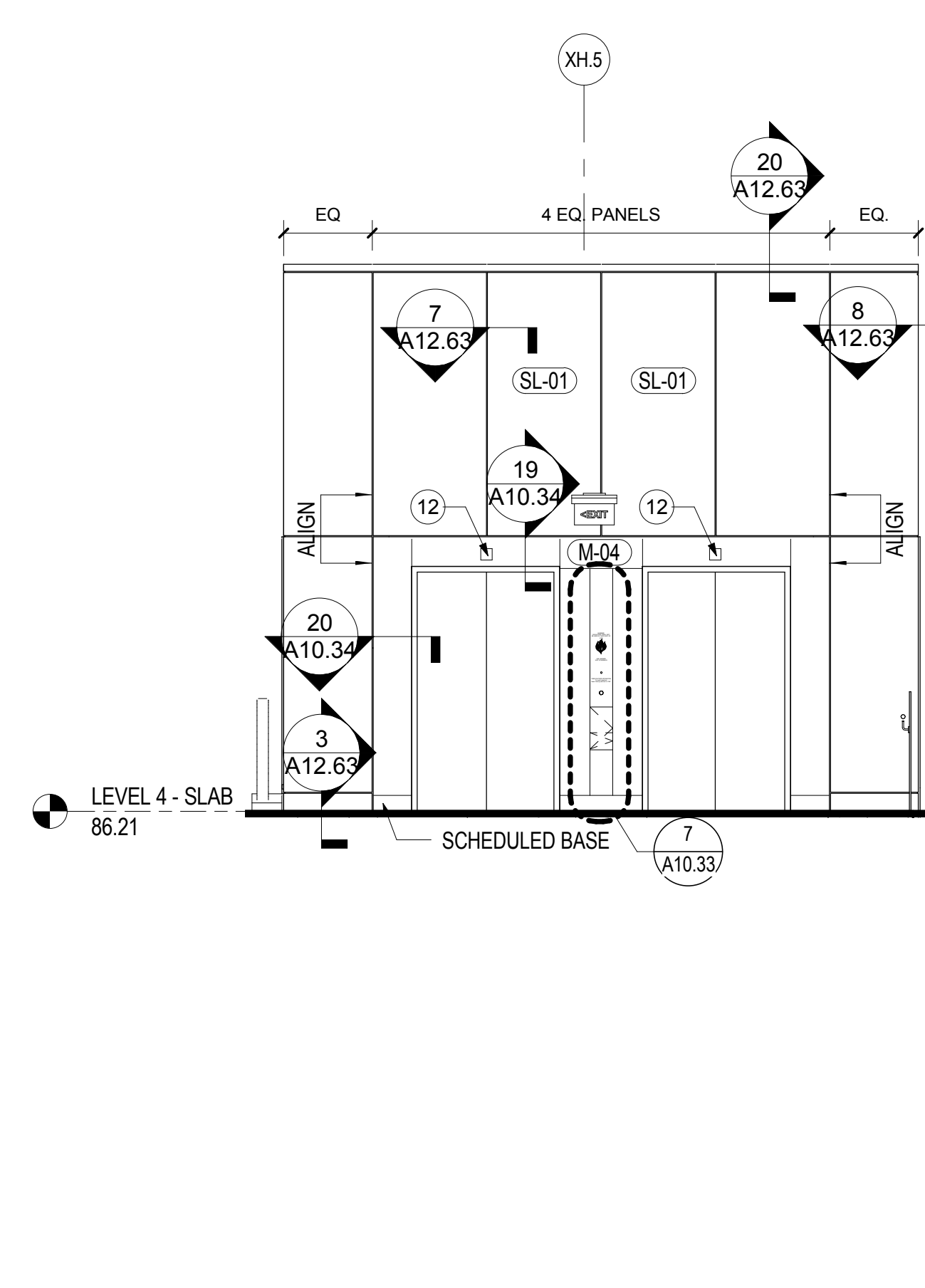
**ELEVATOR - SOUTH @ TICKETING**  
SCALE: 1/4" = 1'-0" A10.30



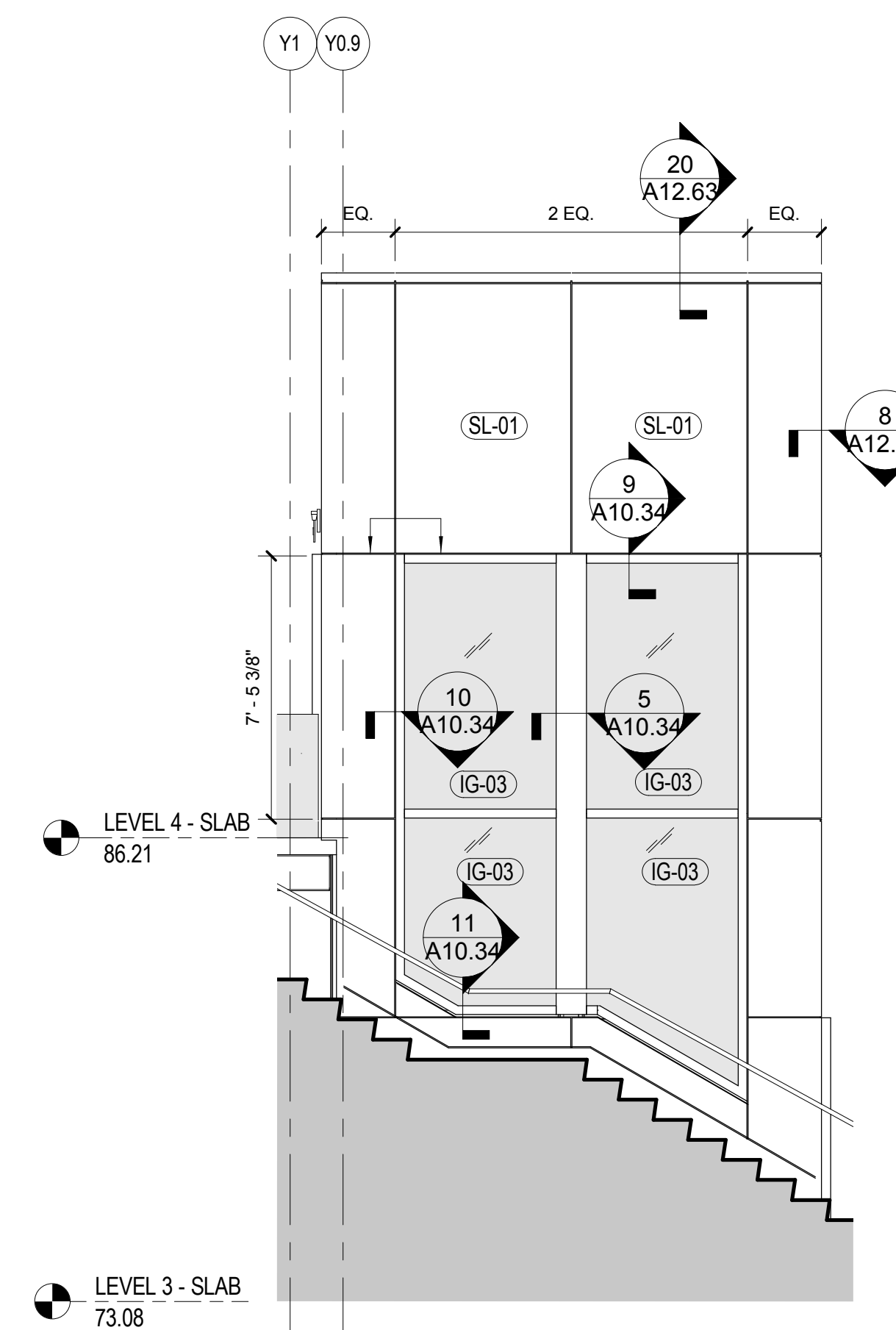
**ELEVATOR - EAST @ TICKETING**  
SCALE: 1/4" = 1'-0" A10.30



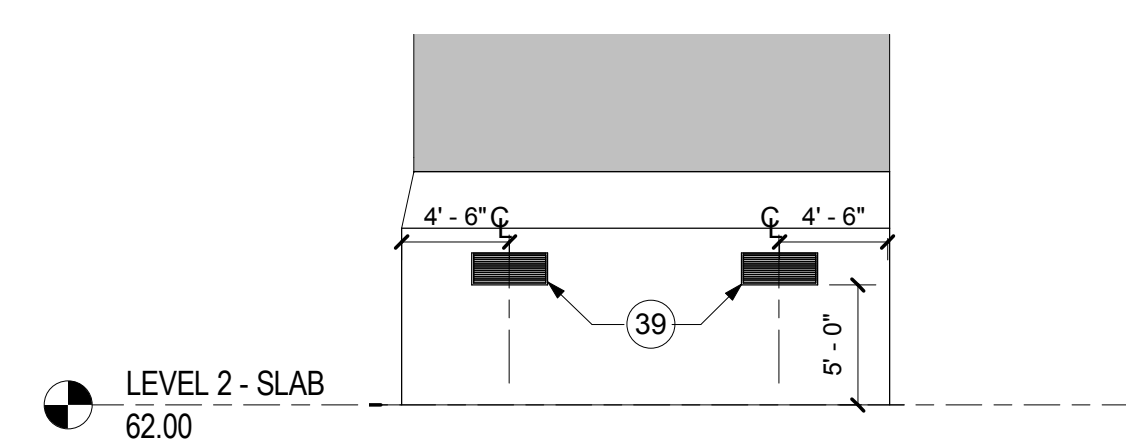
**ELEVATOR - NORTH @ SSCP**  
SCALE: 1/4" = 1'-0" A08.01



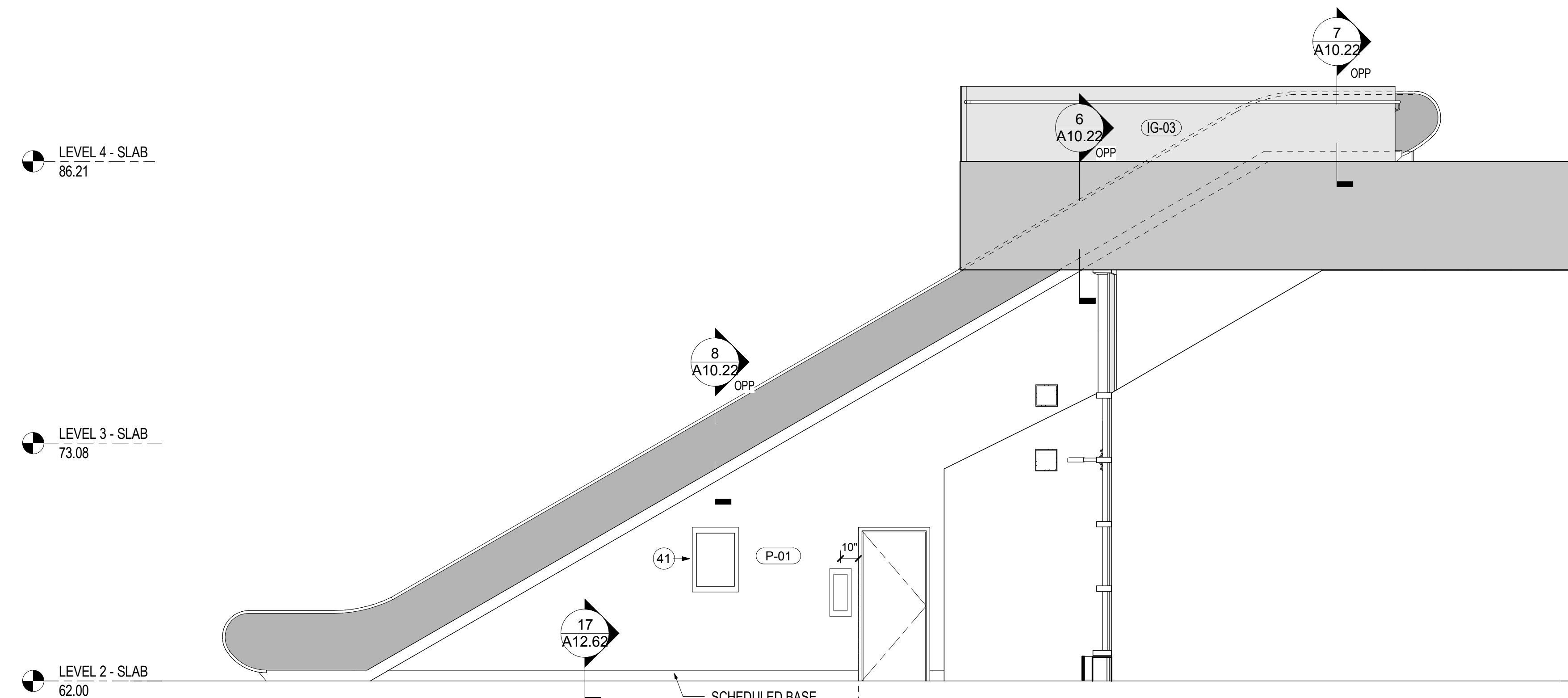
**ELEVATOR - WEST @ SSCP**  
SCALE: 1/4" = 1'-0" A10.31



**ELEVATOR - SOUTH @ SSCP**  
SCALE: 1/4" = 1'-0" A08.01



**ELEV MACHINE RM ELEV**  
SCALE: 1/8" = 1'-0" A02.02.04



**ESCALATORS #3 SIDE (ESCL #4 SIM OPP)**  
SCALE: 1/4" = 1'-0" A10.20

**SHEET NOTES**

- 01 LINE OF SOFFIT
- 02 ARCHITECTURAL EXPOSED CONCRETE COLUMN
- 03 FINISHED STEEL POST, TO BE PAINTED P-06
- 04 SIGNAGE AND WAYFINDING; REFER TO A07.00 SERIES DRAWINGS FOR ADDITIONAL INFORMATION
- 05 FIRE/SECURITY OVERHEAD COILING DOOR. RE: BAGGAGE DRAWINGS FOR DETAILS AND MORE INFORMATION. COORDINATE WALL AND FIRE/SECURITY DOOR LOCATIONS WITH BAGGAGE DRAWINGS
- 06 METAL FIN TUBE ENCLOSURE TO BE FACTORY FINISHED TO MATCH MULLION COLOR ABOVE. REFER TO MECHANICAL DRAWINGS FOR ADDITIONAL INFORMATION
- 07 MULLION ON CORRIDOR SIDE TO BE PAINTED P-06
- 08 PROVIDE FIREMAN'S PHONE & KEY BOX WHERE OCCURS. COORDINATE WITH FIRE PROTECTION DRAWINGS. RE: DETAIL 4/A10.33
- 09 ALL ELEMENTS OF EXPOSED DECK CEILING ASSEMBLY: EXPOSED STEEL, PIPING CONDUITS AND COMPONENTS TO BE PAINTED P-02.
- 10 LINEAR DIFFUSER: REFER TO MECHANICAL DRAWINGS FOR ADDITIONAL INFORMATION
- 11 CONTROL JOINT. REFER TO 3/A12.62
- 12 ELEVATOR HALL LANTERN
- 13 TEMPORARY DEMISING PARTITION
- 14 EXPOSED STEEL AND COMPONENTS TO BE PAINTED P-02
- 15 ADVERTISEMENT PANEL: COORDINATE MOUNTING AND POWER REQUIREMENTS WITH VENDOR.
- 16 CONTINUOUS METAL PLATE TO MATCH ADJACENT METAL PANELS. ALL CUT OUTS TO BE DONE IN SHOP WITH APPROVED DEVICE DIMENSIONS
- 17 BAGGAGE TAKE AWAY CONVEYOR. RE: TO BAGGAGE DRAWINGS FOR MORE INFORMATION.
- 18 PASSENGER INFORMATION DISPLAY SYSTEM: COORDINATE MOUNTING AND POWER REQUIREMENTS.
- 19 FLIGHT INFORMATION DISPLAY SYSTEM: COORDINATE MOUNTING AND POWER REQUIREMENTS.
- 20 VINYLE WALL GRAPHIC. REFER TO A07.00 SHEETS
- 21 MULLION AND SNAP CAP TO BE FACTORY PAINTED TO MATCH P-01
- 22 SECURITY PASSENGER INFORMATION DISPLAY SYSTEM: COORDINATE MOUNTING AND POWER REQUIREMENTS.
- 23 ALIGN PANEL START POINT AND TRANSITION WITH CONTROL JOINT ABOVE AT CEILING.
- 24 HALL LANTERN. PROVIDE ELEVATOR MANUFACTURER'S STANDARD HALL LANTERN
- 25 3/4" REVEAL TO BE ON CENTERLINE WITH MULLION BELOW, U.O.N.
- 26 SCHEDULED SLIDING GLASS DOORS. RE: A03.30 FOR DOOR SCHEDULE
- 27 FOR BACK WALL ELEVATION REFER TO SHEET A11.02
- 28 PATCH, MATCH AND REPAIR EXISTING WALL AND BASE FINISHES AS REQUIRED.
- 29 EXPANSION JOINT COVER. RE: A02 SERIES FOR TYPE.
- 30 FIRE SHUTTER
- 31 PROVIDE WALL PROTECTION SYSTEM CORNER GUARD.
- 32 FINISHED STEEL POST, TO BE PAINTED P-01 ON INTUMESCENT COATING
- 33 AREA OF MOCK UP
- 34 LINE OF ARCHITECTURAL PLENUM BEYOND. RE: TO RCP FOR SLOPE AND ADDITIONAL INFORMATION.
- 35 SNAP CAP AND MULLION TO BE FACTORY PAINTED P-07 TO MATCH M-01 FINISH
- 36 STAINLESS STEEL ACCESS PANEL FOR INTERCOM MICROPHONE. REFER TO AV DRAWINGS FOR ADDITIONAL INFORMATION AND REQUIREMENTS
- 37 GATE ID. REFER TO THE A07 SERIES FOR ADDITIONAL INFORMATION
- 38 GATE INFORMATION DISPLAY SYSTEM. RE: TO POWER AND COMMUNICATION PLANS AND SCHEDULE FOR EQUIPMENT SPECIFICATIONS. COORDINATE WITH ELECTRICAL AND COMM DRAWINGS. NO VISIBLE CORDS OR WIRING.
- 39 MECHANICAL GRILLE AT ELEVATOR MACHINE RM. RE: MECHANICAL DRAWINGS FOR ADDITIONAL INFORMATION.
- 40 BAGGAGE HANDLING SYSTEM CONTROL STATION. RE: TO BAGGAGE HANDLING SYSTEM DRAWINGS FOR ADDITIONAL INFORMATION
- 41 ANNUNCIATOR. RE: TO FIRE ALARM DRAWINGS FOR ADDITIONAL INFORMATION
- 42 RADIANT MANIFOLD. RE: TO MECHANICAL DRAWINGS FOR ADDITIONAL INFORMATION
- 43 BOTTOM OF SCHEDULED FIXTURE AT MECHANICAL WALL IS TO MATCH TOP ELEVATION OF WIND GIRT.
- 44 FIRE SHUTTER TRACK
- 45 CENTERLINE OF REVEAL TO MATCH CENTERLINE OF WIND GIRT
- 46 EXPOSED STEEL TO HAVE INTUMESCENT PAINT WITH SPECIFIED FINISH TOP COAT
- 47 MAINTAIN 1' - 6" FROM TOP OF COLUMN TO BOTTOM OF BEAM
- 48 SCHEDULED SPEAKERS. RE: AUDIO VISUAL DRAWINGS FOR ADDITIONAL INFORMATION. COORDINATE WITH COLUMN DETAILS
- 49 SOUND Baffle. RE: DETAIL 5/A12.68
- 50 RE: SHEET A12.75 FOR DETAILS

**GENERAL NOTES**

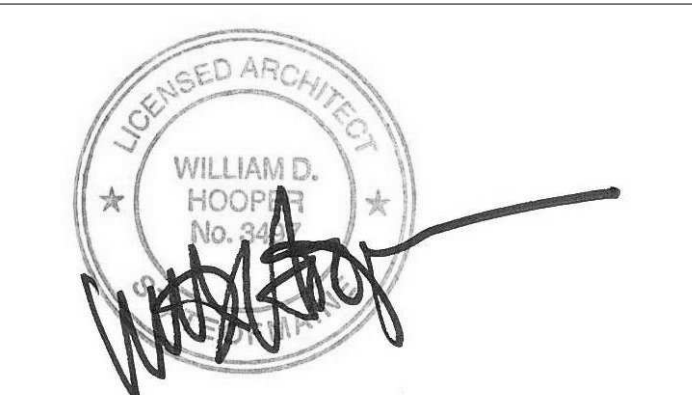
- A REFER TO SHEET A00.13 FOR TYPICAL MOUNTING HEIGHTS, U.O.N.
- B REFER TO SHEET A12.70 - A12.72 FOR COLUMN COVER SIZES AND DETAILS
- C REFER TO PLANS FOR ALL HORIZONTAL DIMENSIONS U.O.N.
- D HORIZONTAL REVEALS TO TRACK AROUND ELEVATOR ENCLOSURE
- E REFER TO PLANS FOR ALL DEVICES, FEC, AND DIFIBULATOR HORIZONTAL LOCATIONS
- F REFER TO SHEET A00.13 FOR MOUNTING DIAGRAMS

**Portland International Jetport**  
1001 Westbrook Street  
Portland, Maine 04102

**Gensler**  
2020 K Street, Northwest  
Suite 200  
Washington, DC 20006  
Telephone 202.721.5200  
Facsimile 202.872.8587

Issue	Date & Issue Description	By	Check
01	12/01/09		
02	75% CONSTRUCTION DOCUMENTS		
02	01/23/09		
03	95% CONSTRUCTION DOCUMENTS		
03	10/26/09		
	ISSUED FOR PERMIT		

Seal/Signature



Project Name  
PWM Terminal Enhancement

Project Number  
09.6395.000

Description  
INTERIOR ELEVATIONS

Scale  
As indicated

**A11.03**

© 2009 Gensler