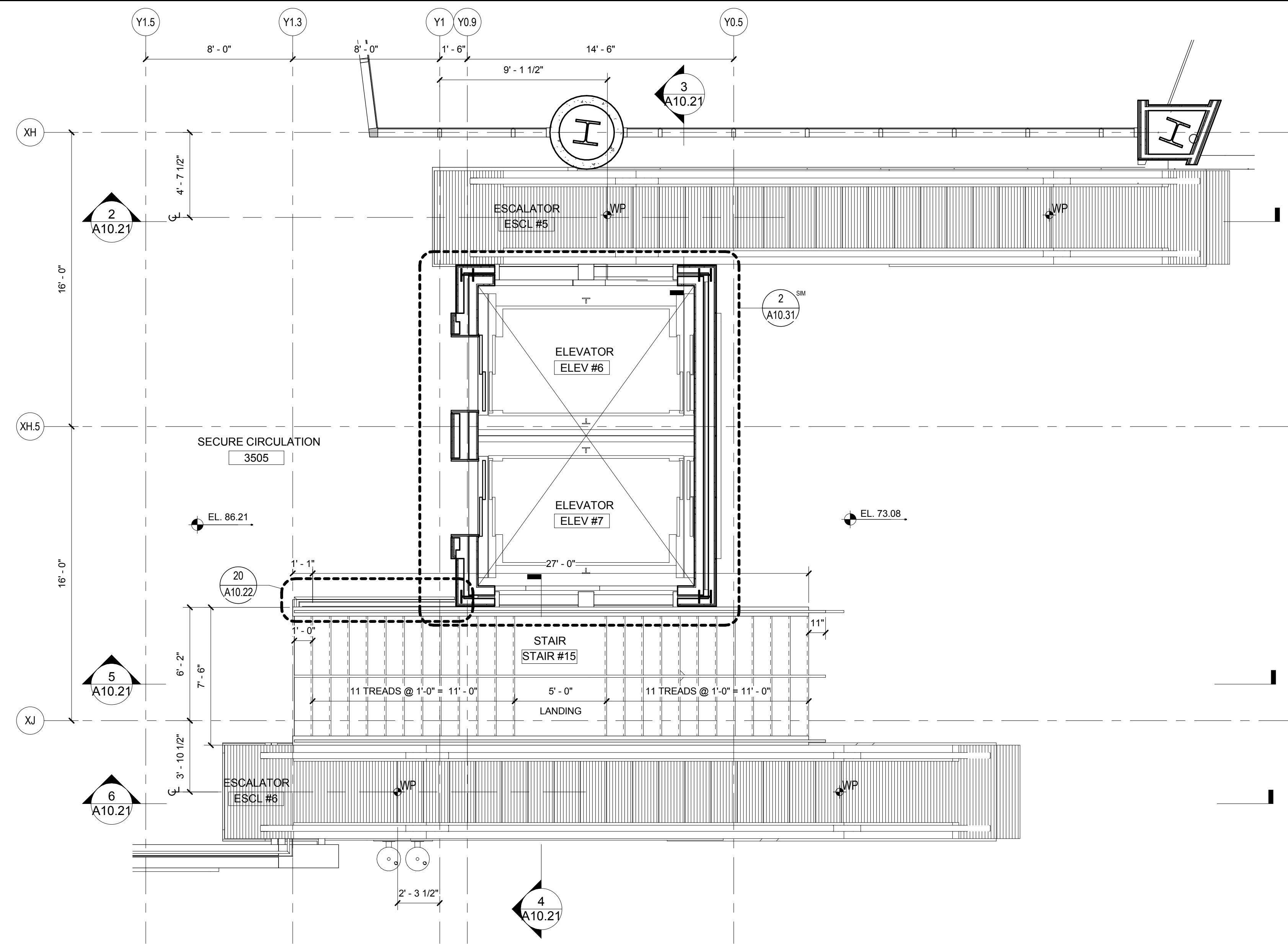


SECTION - STAIR #15
SCALE: 1/4" = 1'-0"

A10.21

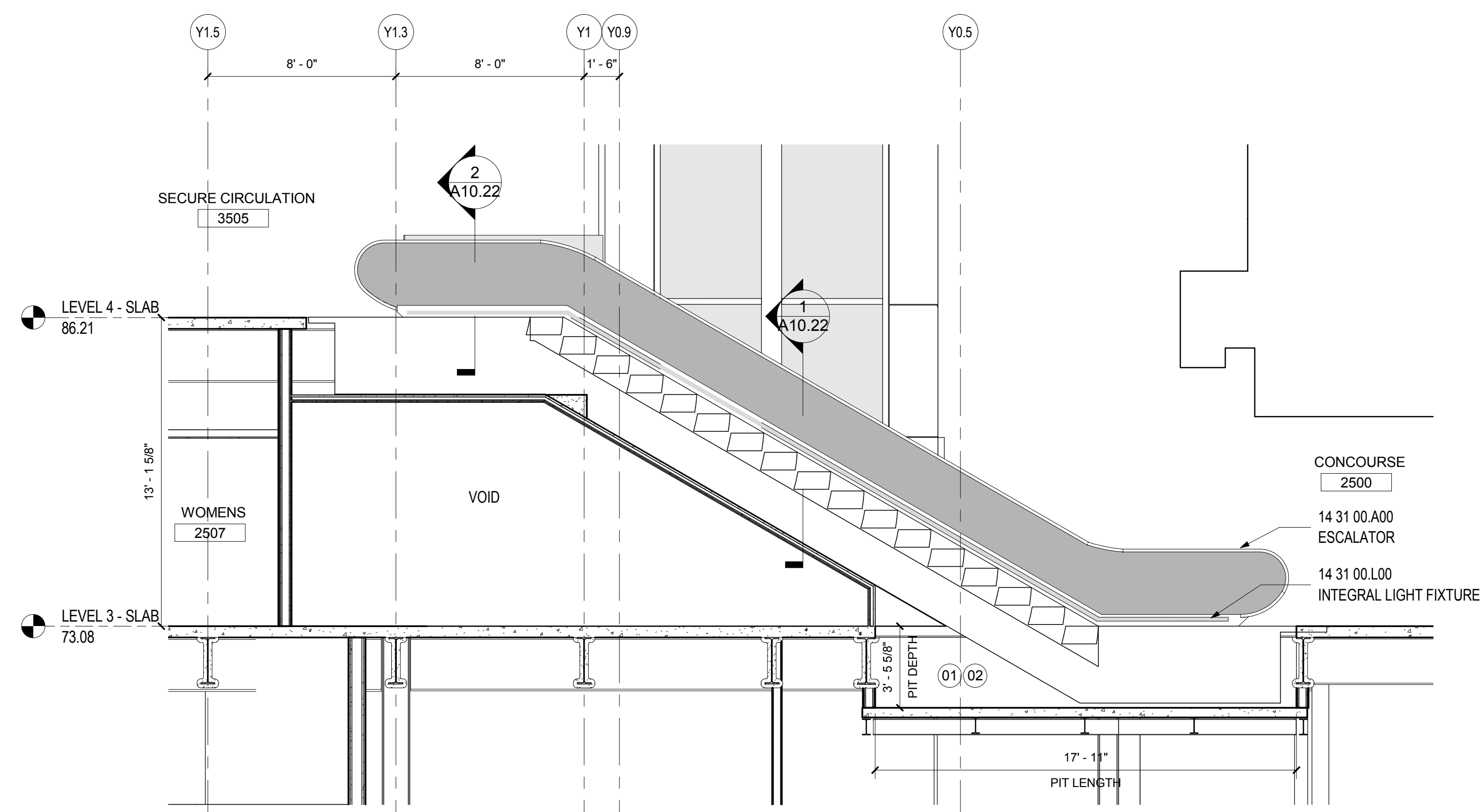
5



PLAN LEVEL 4 - ESCALATORS #5 & 6 / STAIR #15
SCALE: 1/4" = 1'-0"

A02.03.02

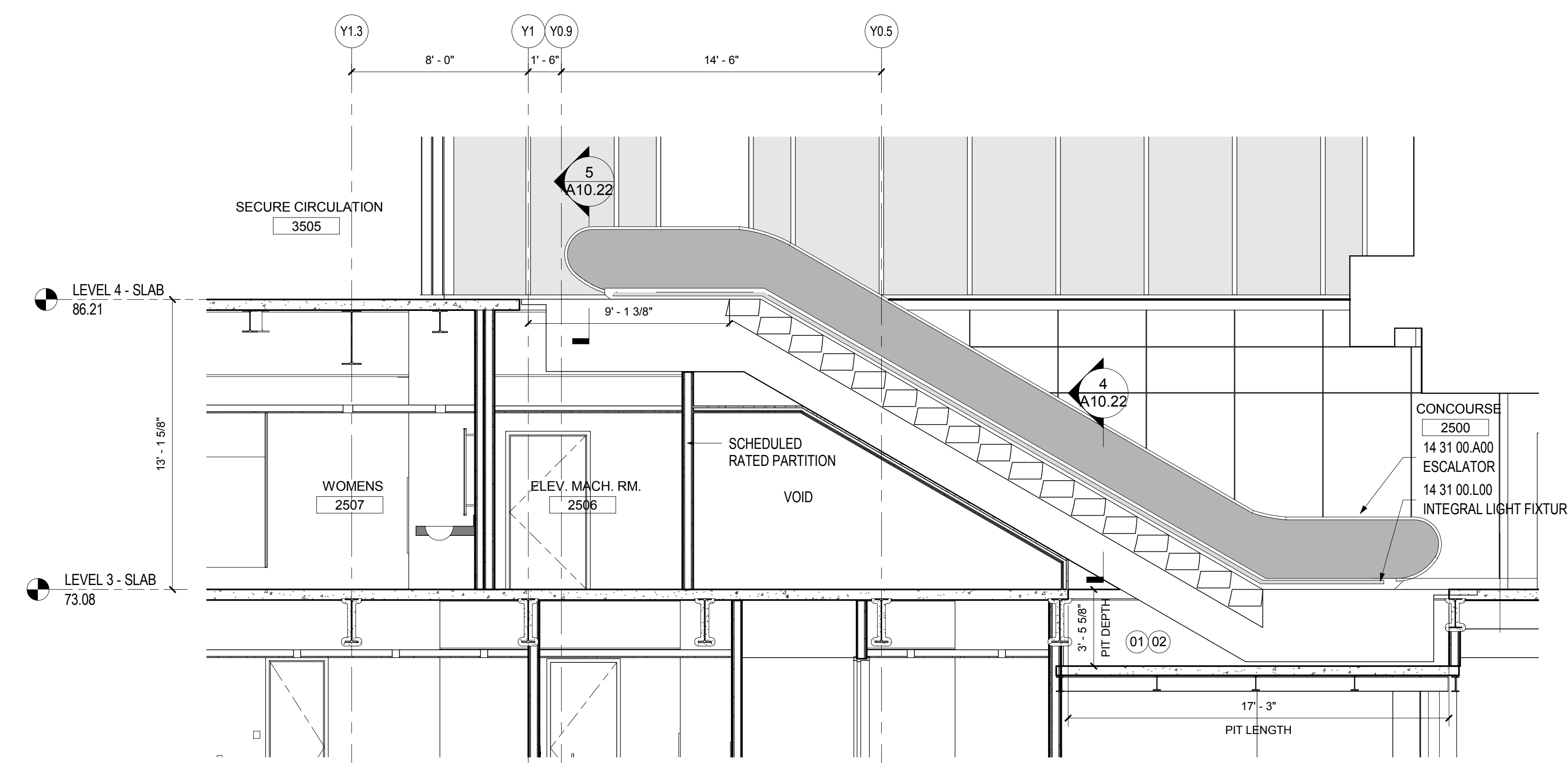
1



SECTION - ESCALATOR #6
SCALE: 1/4" = 1'-0"

A10.21

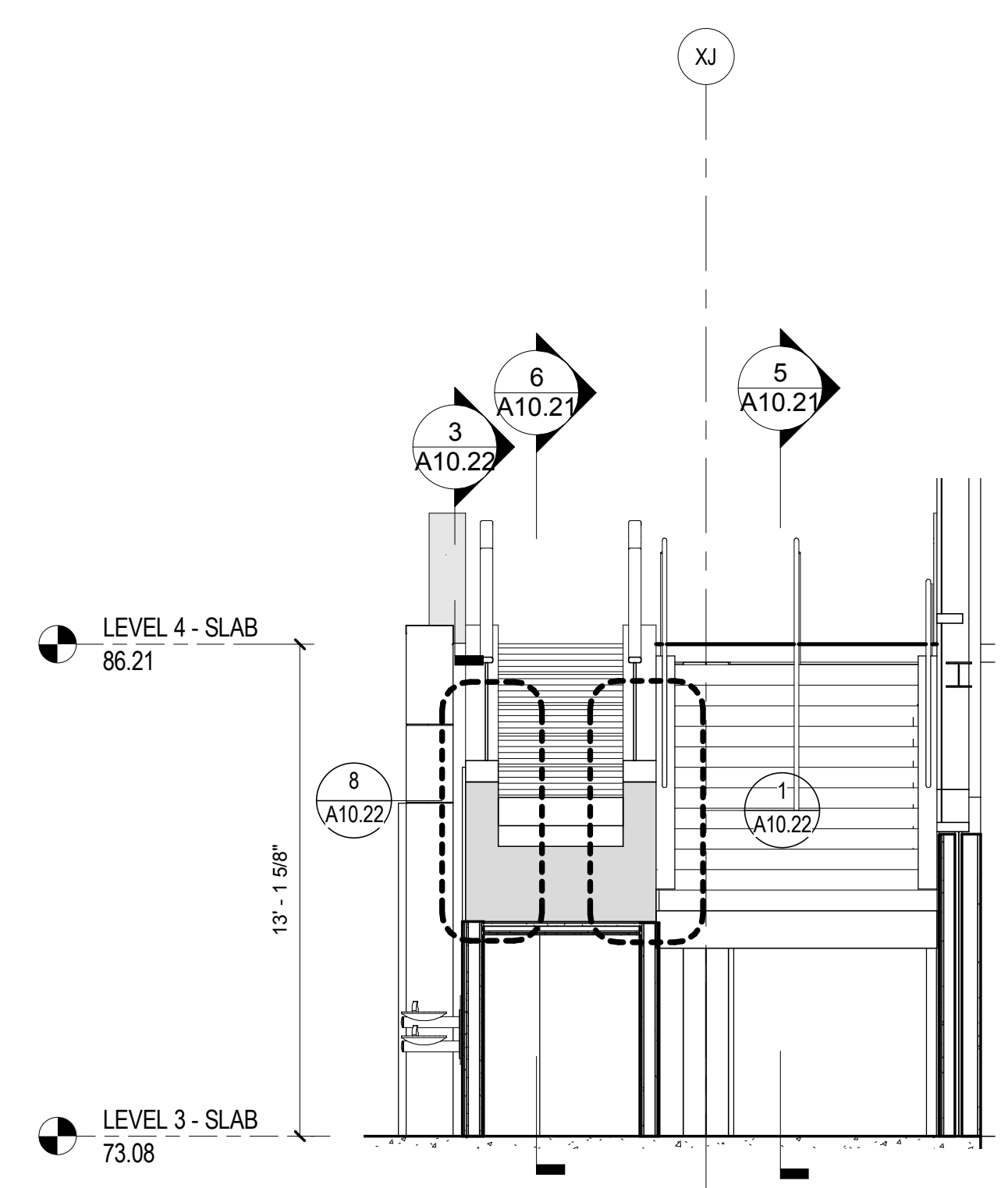
6



SECTION - ESCALATOR #5
SCALE: 1/4" = 1'-0"

A10.21

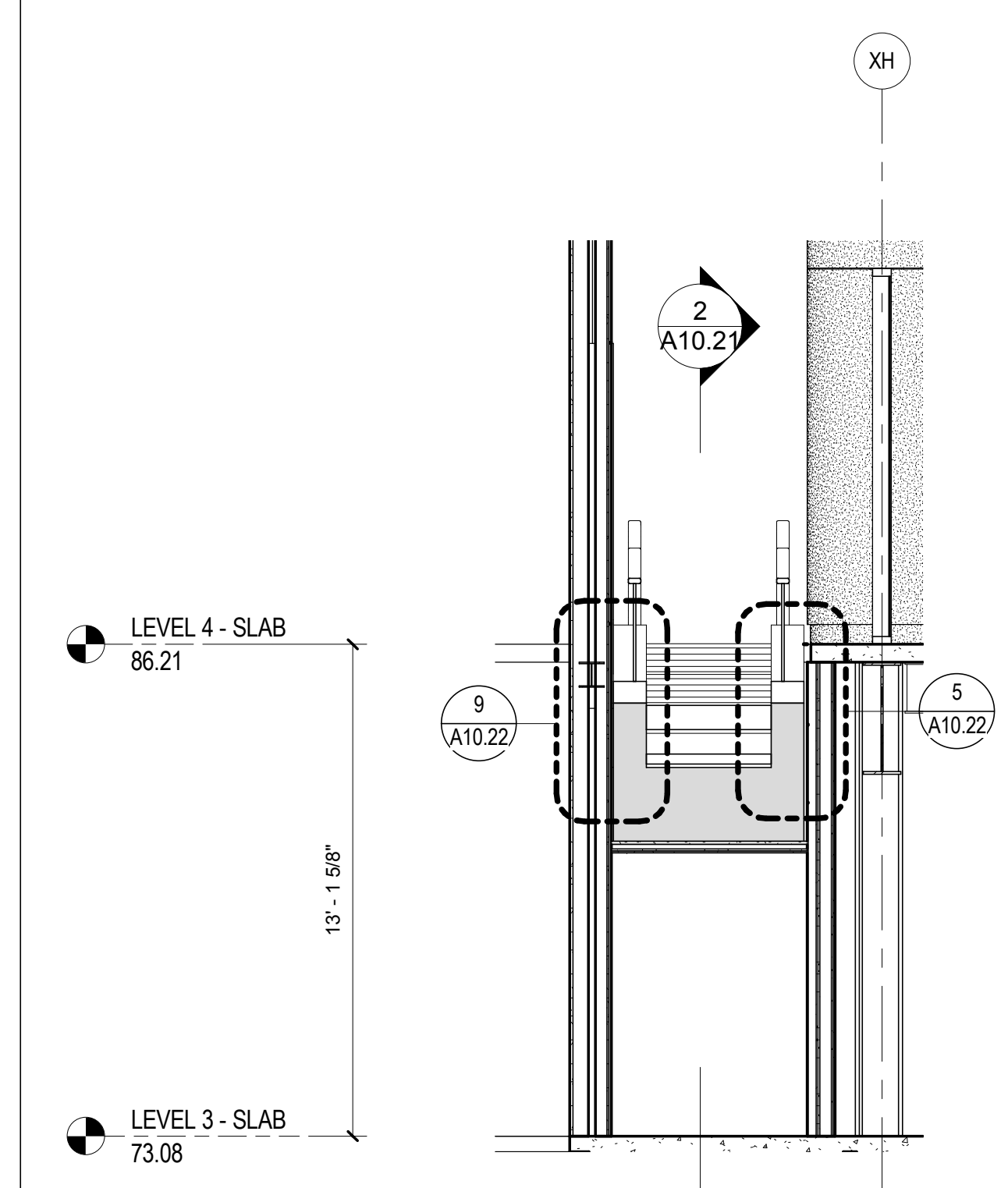
2



SECTION - ESCALATOR #6 / STAIR #15
SCALE: 1/4" = 1'-0"

A10.21

4



SECTION - ESCALATOR #5.
SCALE: 1/4" = 1'-0"

A10.21

3

SHEET NOTES

- 01 PIT LENGTH, WIDTH AND DEPTH TO BE COORDINATED WITH SELECTED MANUFACTURER
- 02 HEAT DETECTOR PROVIDED AT BASE OF EACH ESCALATOR
- 03 ENCLOSE THE UNDERSIDE OF ALL ESCALATORS WITH FIRE RESISTIVE MATERIALS PER ASME A17.1. SOFFIT ASSEMBLY WEIGHT NOT TO EXCEED MANUFACTURER'S RECOMMENDATIONS.
- 04 LINE OF UNDERSIDE OF EXTERIOR METAL PANEL SOFFIT.
- 05 PROVIDED METAL OXIDE WATER PROOFING AND WATER STOPS IN AND AROUND PIT. RE SECTION 07 16 19 IN THE PROJECT MANUAL FOR MORE INFORMATION.

Portland International Jetport
1001 Westbrook Street
Portland, Maine 04102

Gensler
2020 K Street, Northwest
Suite 200
Washington DC 20006
Telephone 202.721.5200
Facsimile 202.872.8587

Issue	Date & Issue Description	By	Check
01	12/01/08		
02	75% CONSTRUCTION DOCUMENTS		
02	01/23/09		
03	95% CONSTRUCTION DOCUMENTS		
03	10/26/09		
	ISSUED FOR PERMIT		

GENERAL NOTES

A ALL PIT DIMENSIONS TO BE COORDINATED WITH SELECTED MANUFACTURER UPON PROCUREMENT

Seal/Signature

Project Name
PWM Terminal Enhancement

Project Number
09 6395.000

Description
VERTICAL CIRCULATION - ESCALATORS #5 & 6 / STAIR #15

Scale
As indicated

A10.21

© 2009 Gensler