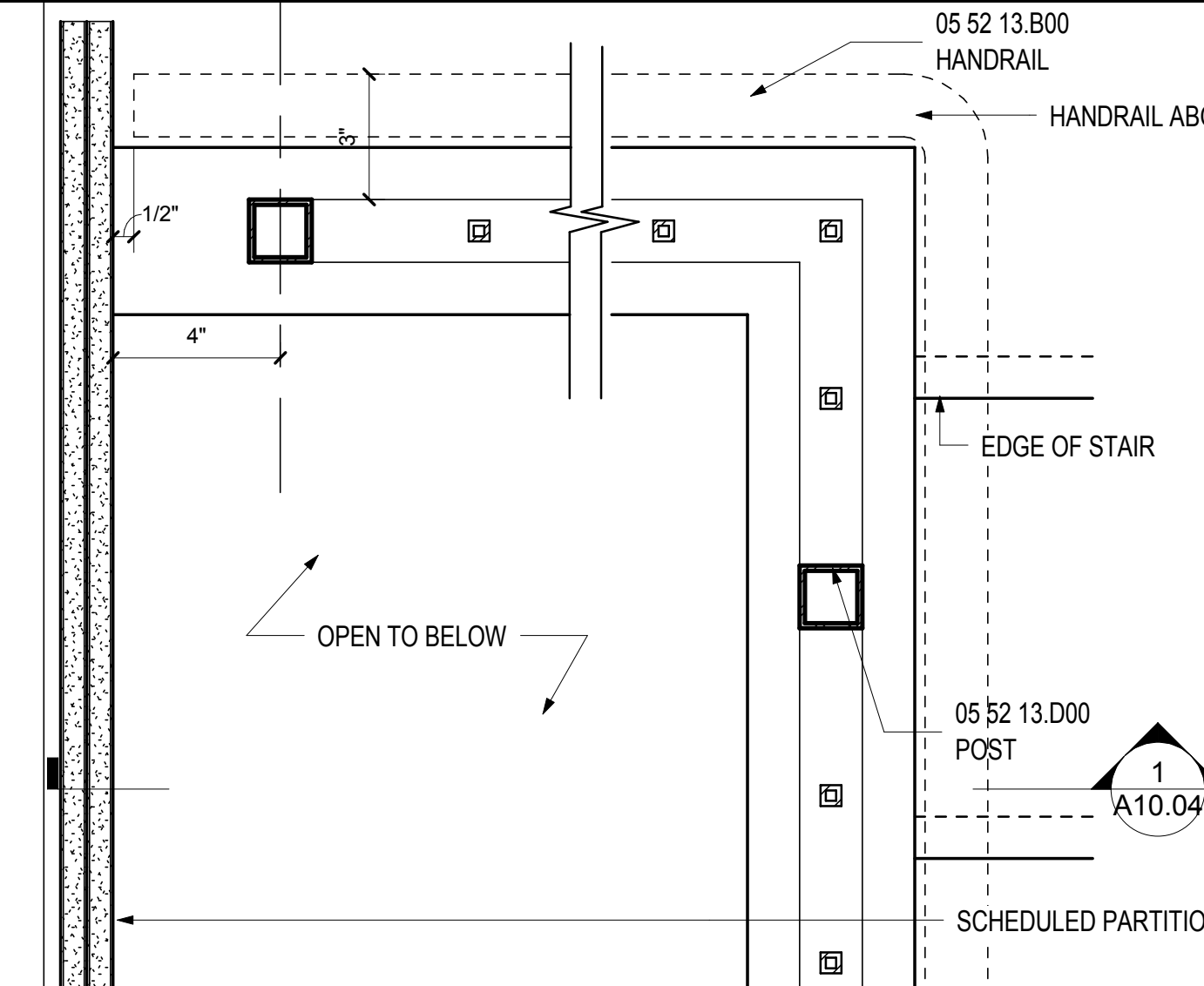
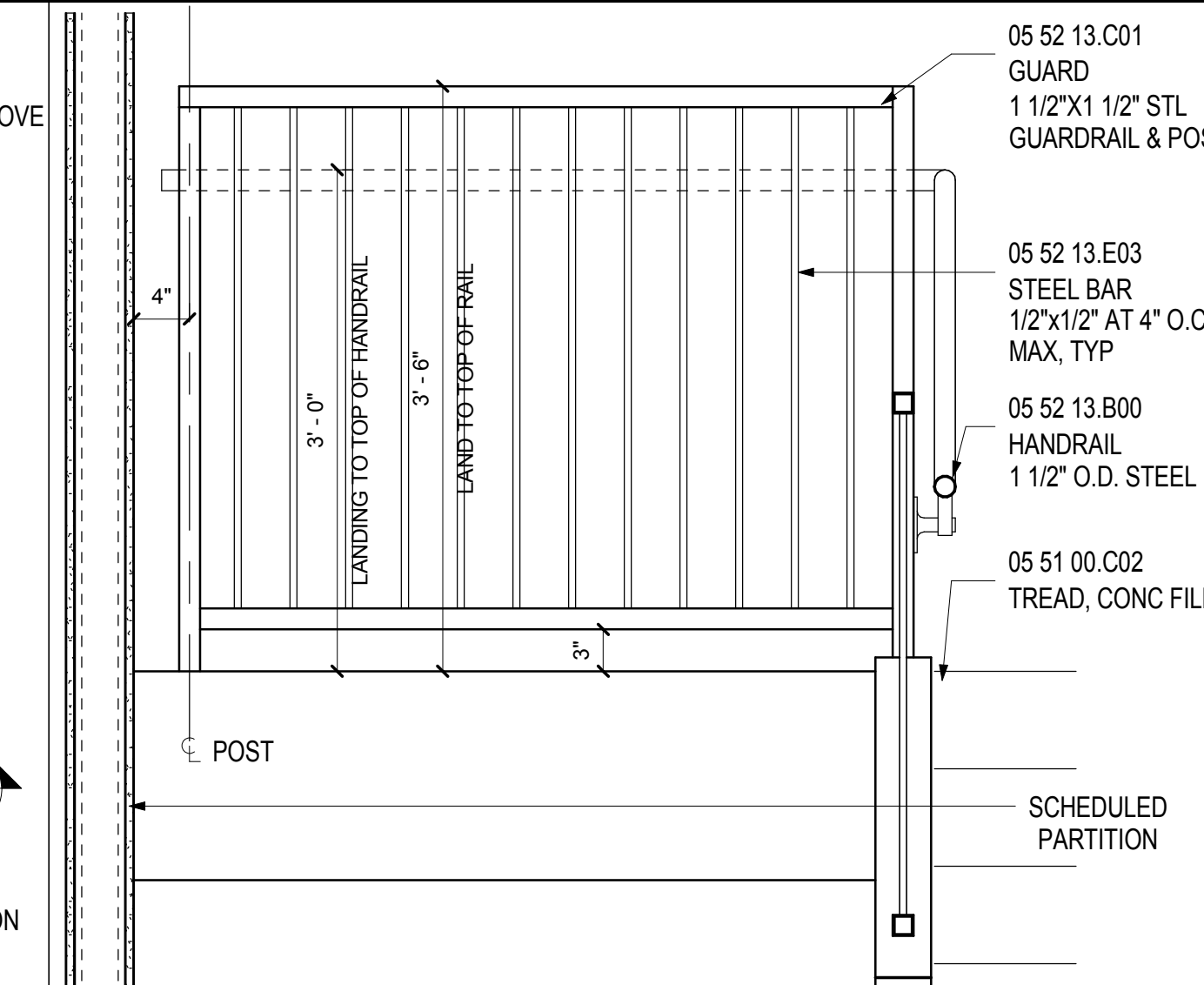


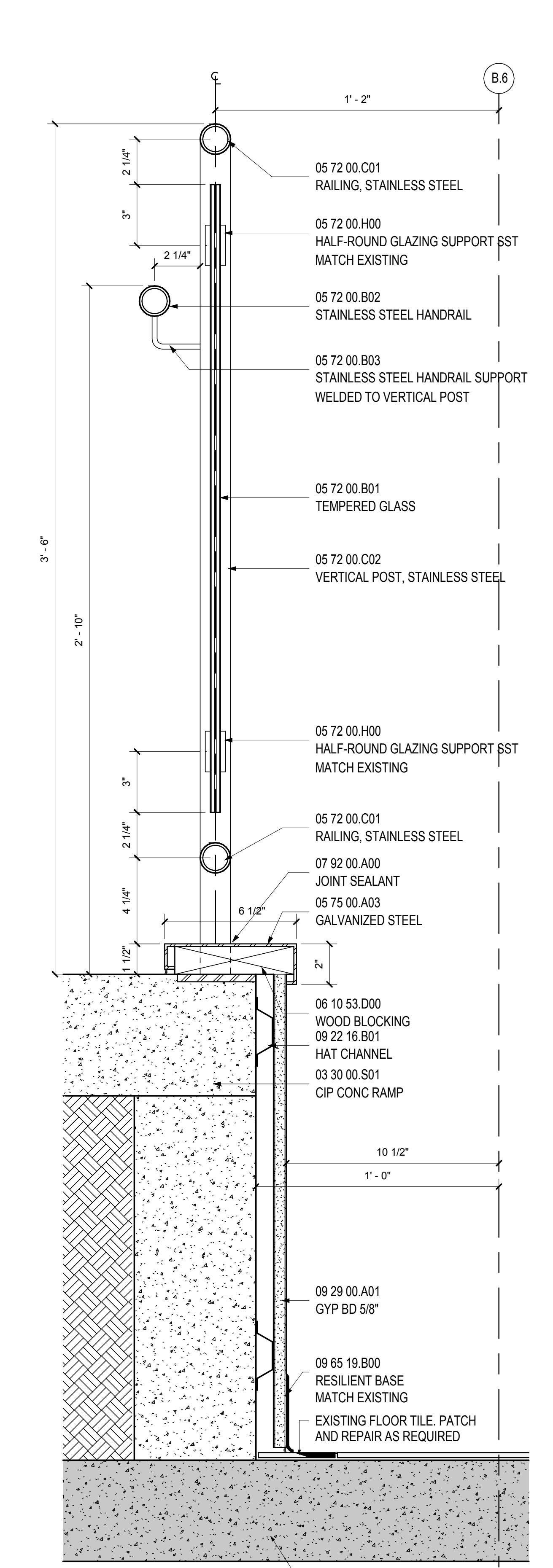
DETAIL @ HANDRAIL
SCALE: 3" = 1'-0" A10.01



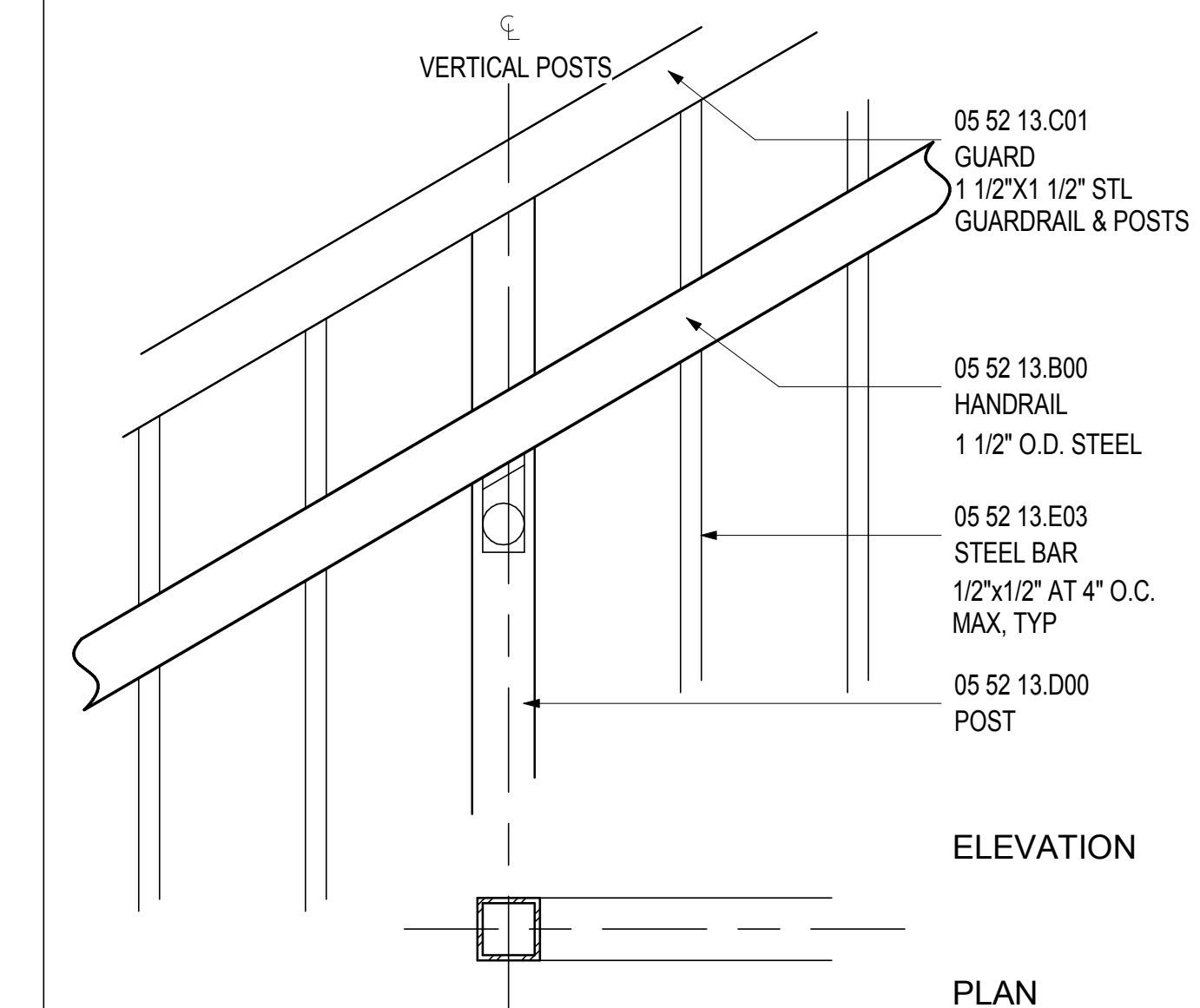
PLAN @ TOP LANDING
SCALE: 3" = 1'-0" A10.00



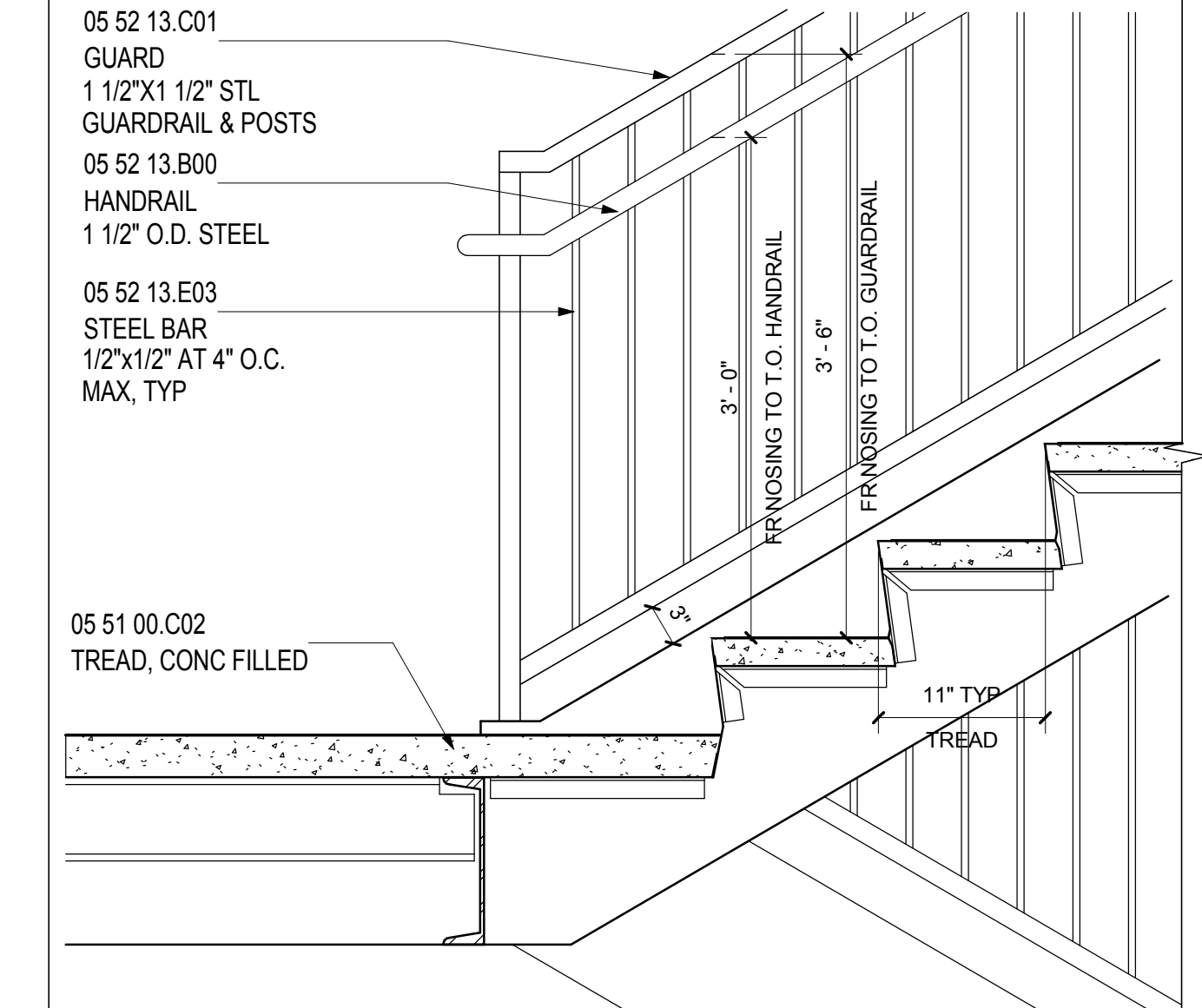
ELEVATION @ TOP LANDING
SCALE: 1" = 1'-0" A10.04



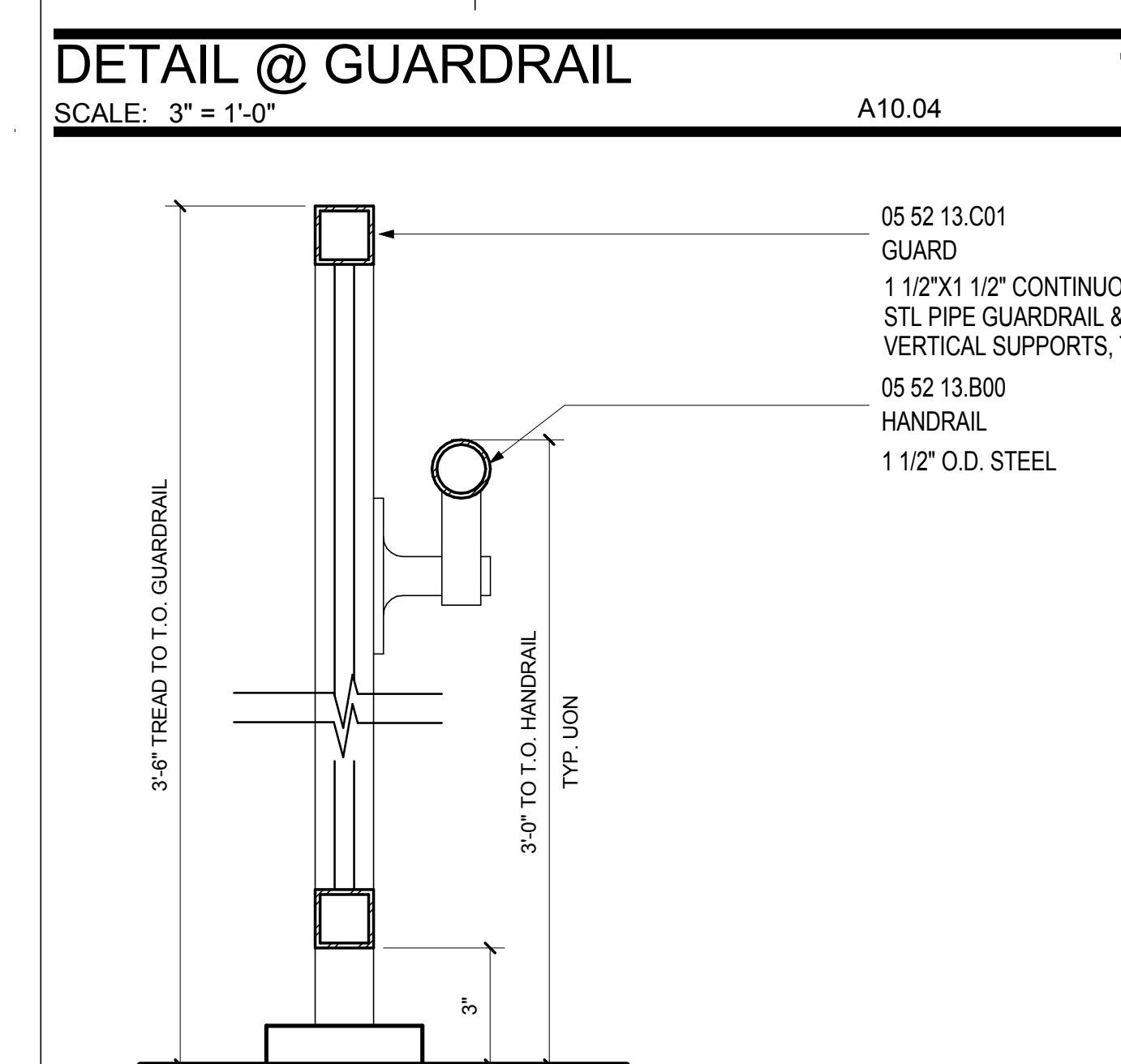
SECTION - RAMP
SCALE: 3" = 1'-0" A10.03



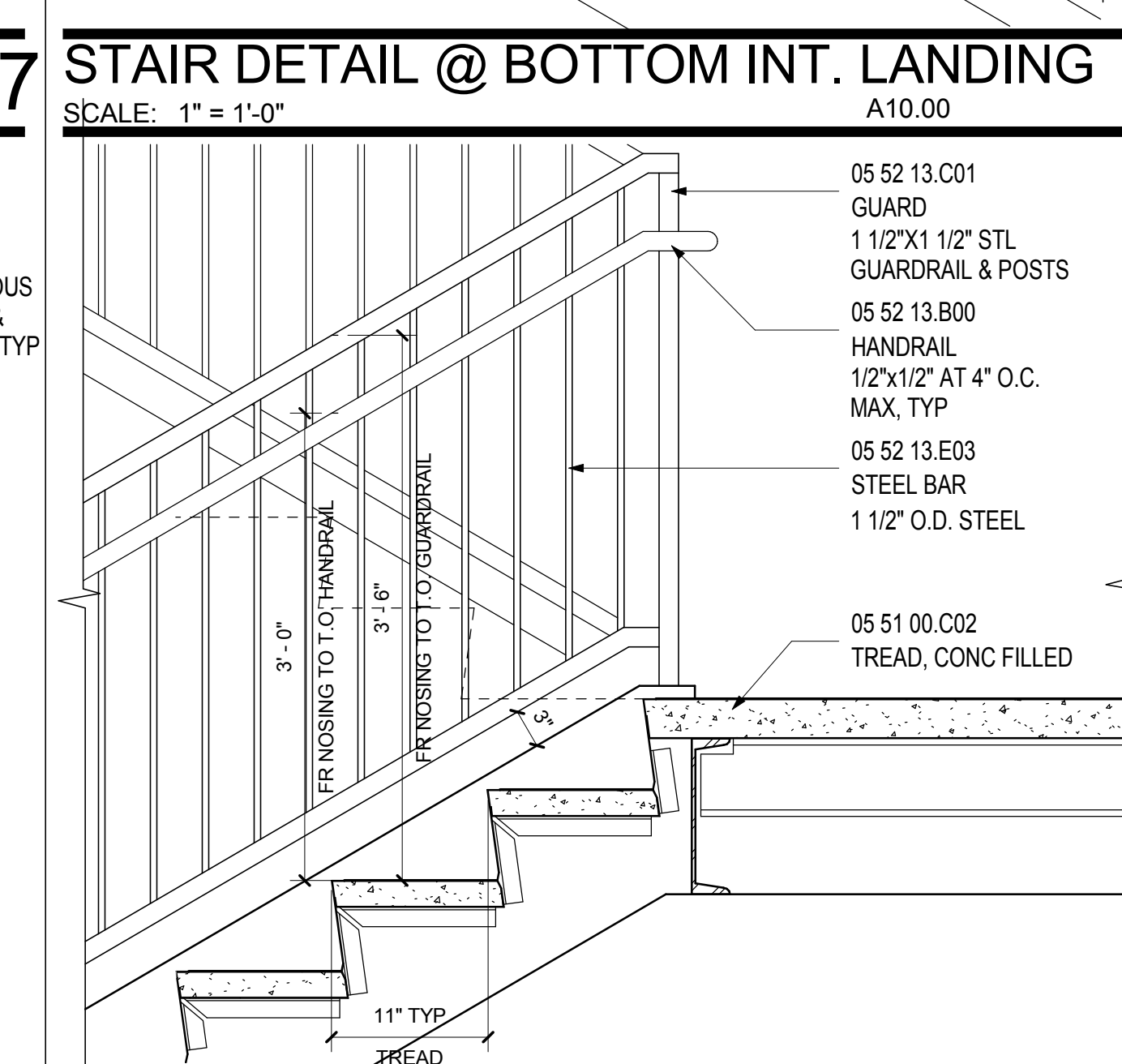
DETAIL @ GUARDRAIL
SCALE: 3" = 1'-0" A10.04



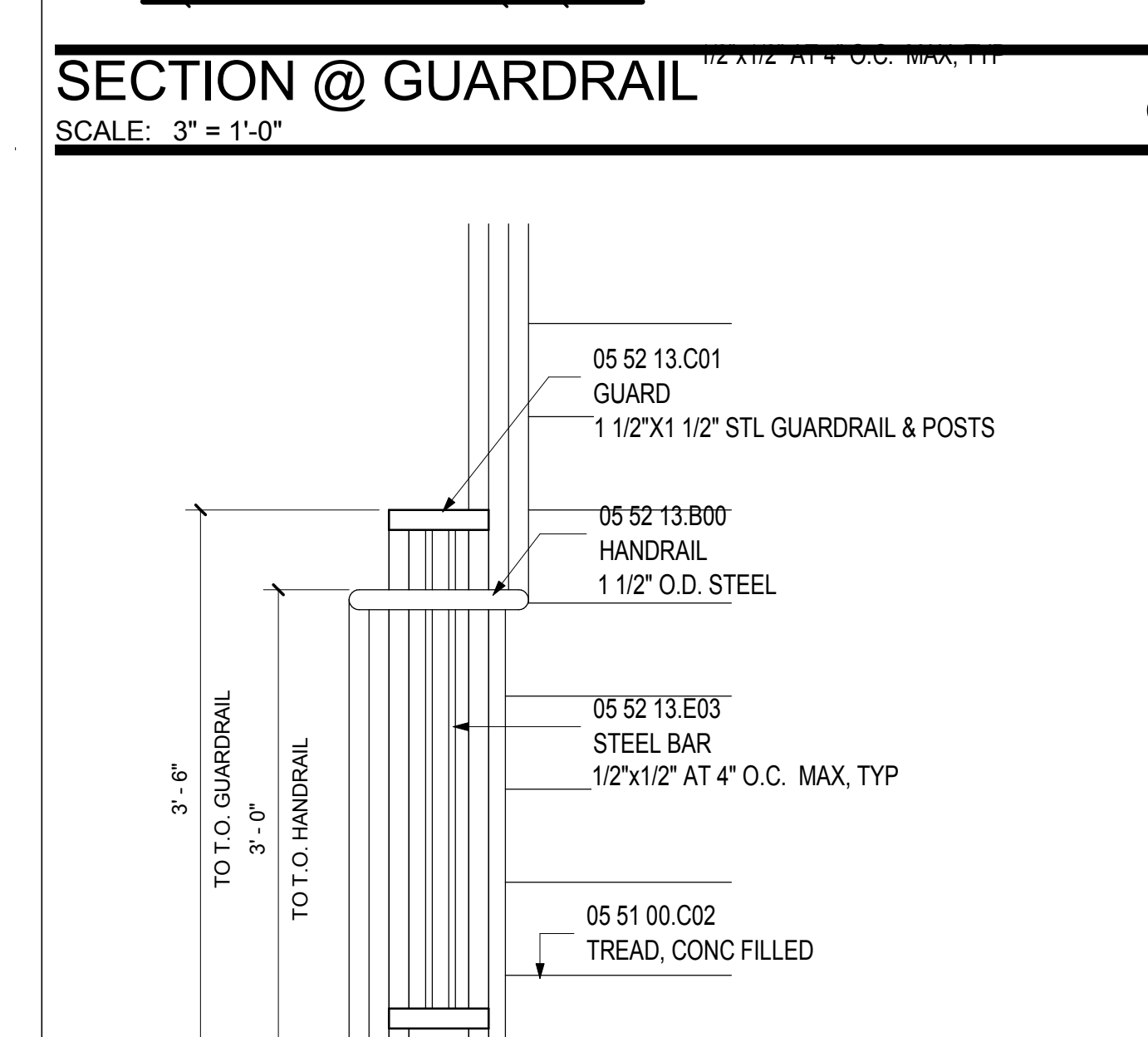
STAIR DETAIL @ BOTTOM INT. LANDING
SCALE: 1" = 1'-0" A10.00



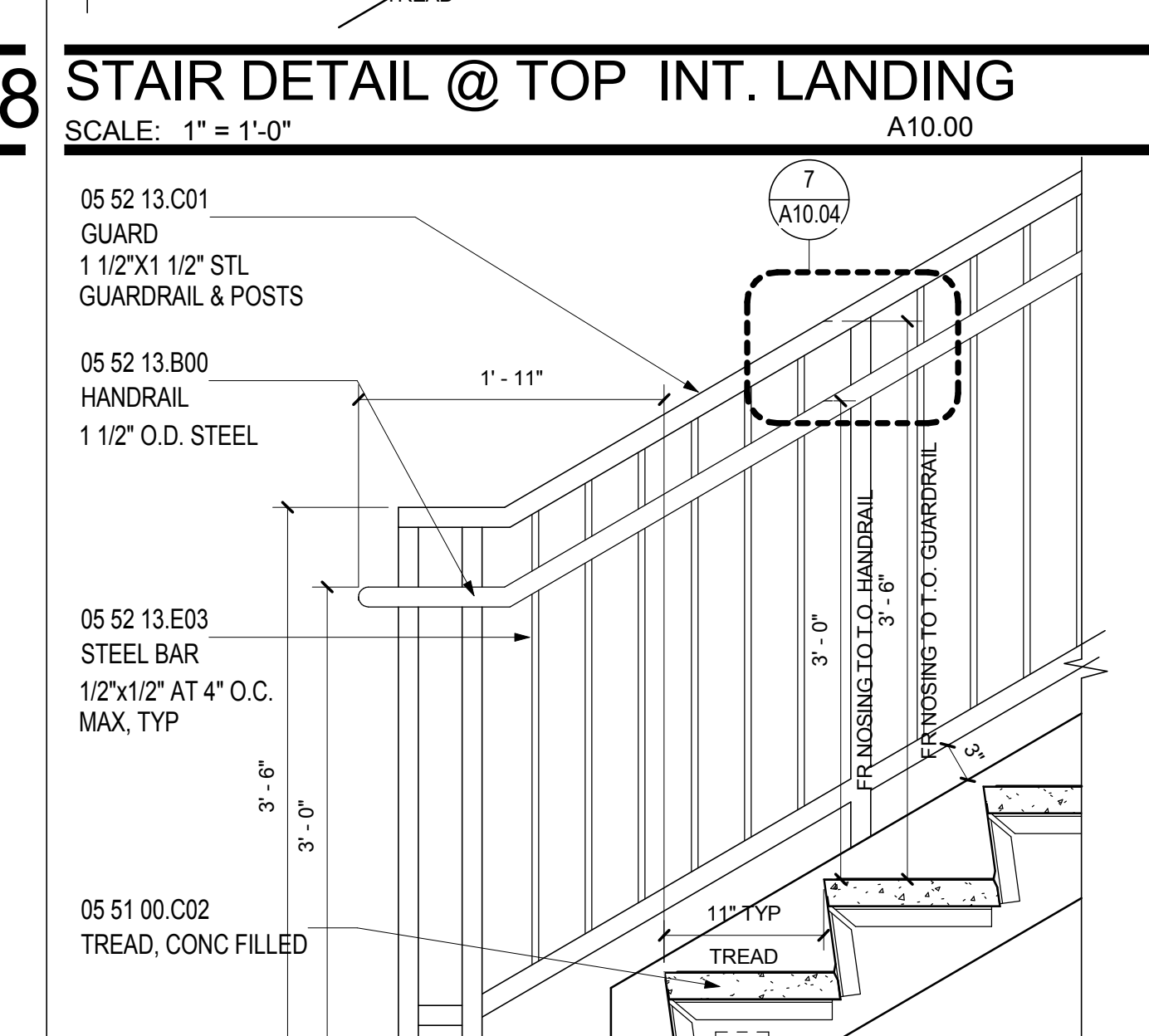
SECTION @ GUARDRAIL
SCALE: 3" = 1'-0" A10.04



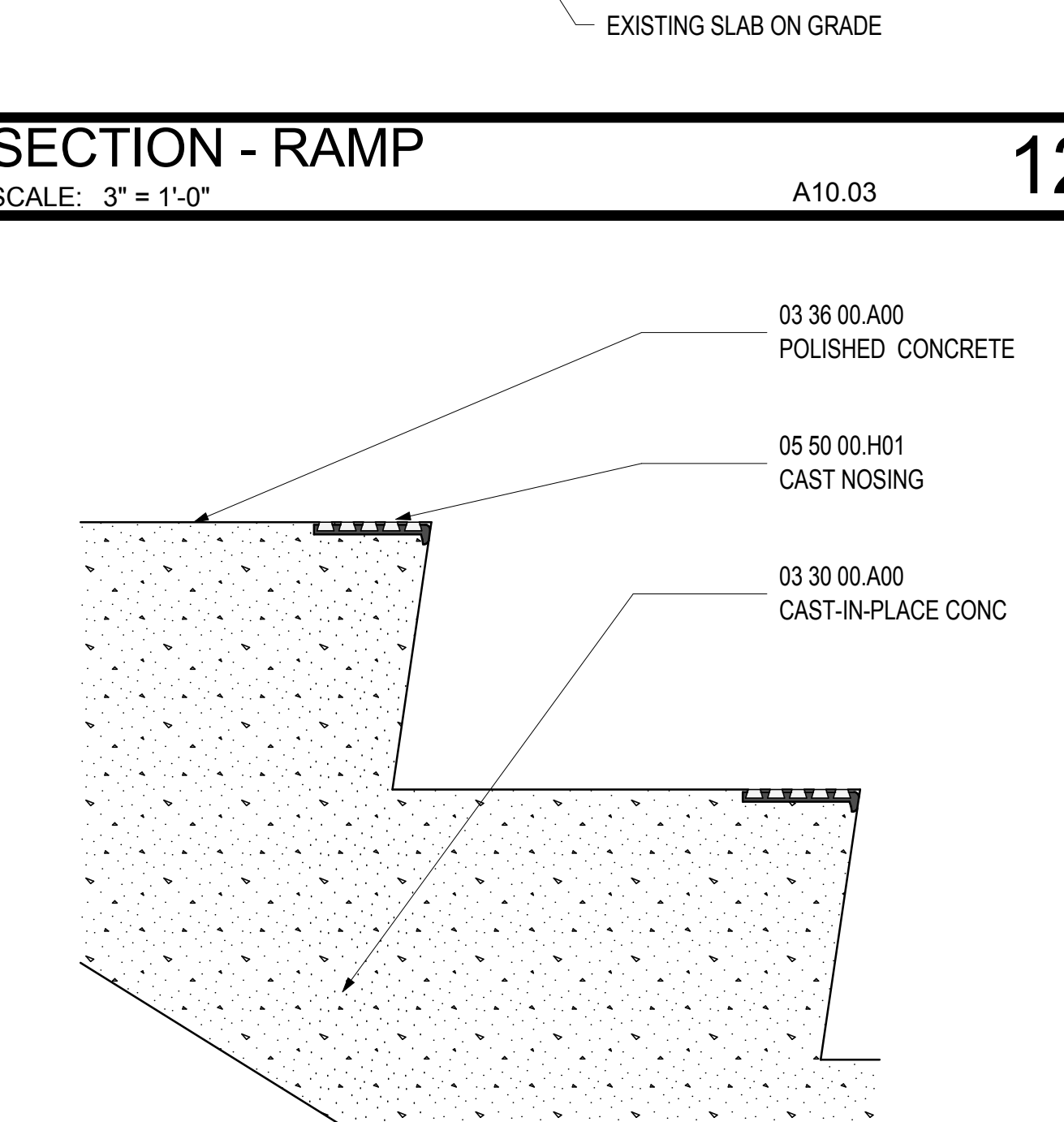
STAIR DETAIL @ TOP INT. LANDING
SCALE: 1" = 1'-0" A10.00



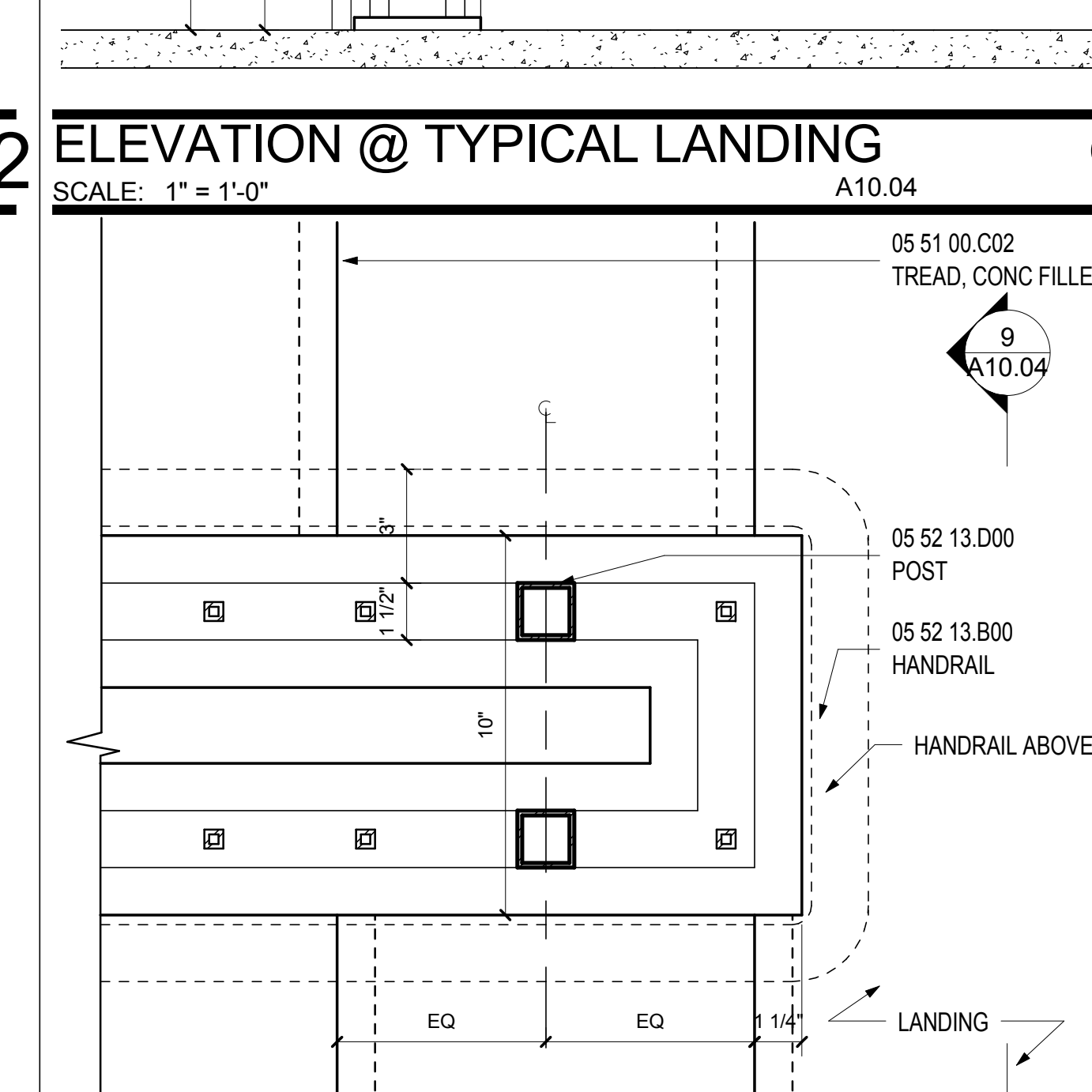
ELEVATION @ TYPICAL LANDING
SCALE: 1" = 1'-0" A10.04



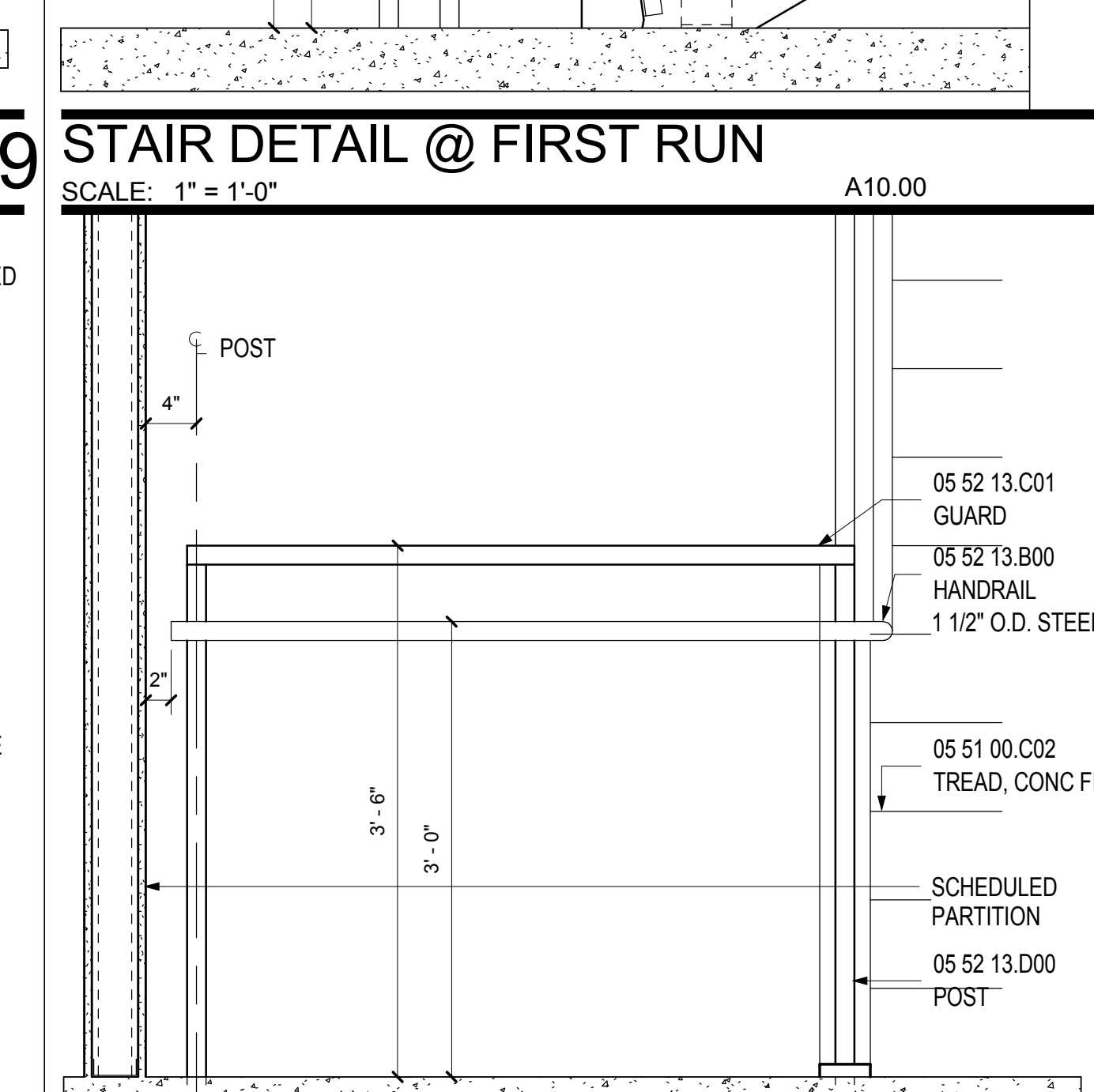
STAIR DETAIL @ FIRST RUN
SCALE: 1" = 1'-0" A10.00



CONCRETE STAIR
SCALE: 3" = 1'-0" A10.03



PLAN @ LANDING GUARDRAIL
SCALE: 3" = 1'-0" A10.00



ELEVATION @ FIRST LANDING
SCALE: 1" = 1'-0" A10.00

SHEET NOTES

GENERAL NOTES

Portland International Jetport
1001 Westbrook Street
Portland, Maine 04102

Gensler
2020 K Street, Northwest
Suite 200
Washington DC 20006
Telephone 202.721.5200
Facsimile 202.872.8587

Issue	Date & Issue Description	By	Check
01	01/21/09		
02	95% CONSTRUCTION DOCUMENTS		
02	10/28/09		
	ISSUED FOR PERMIT		

Seal/Signature

Project Name
PJM Terminal Enhancement

Project Number
09-6395-000

Description
VERTICAL CIRCULATION - STAIR DETAILS

Scale
As indicated

A10.04

© 2009 Gensler