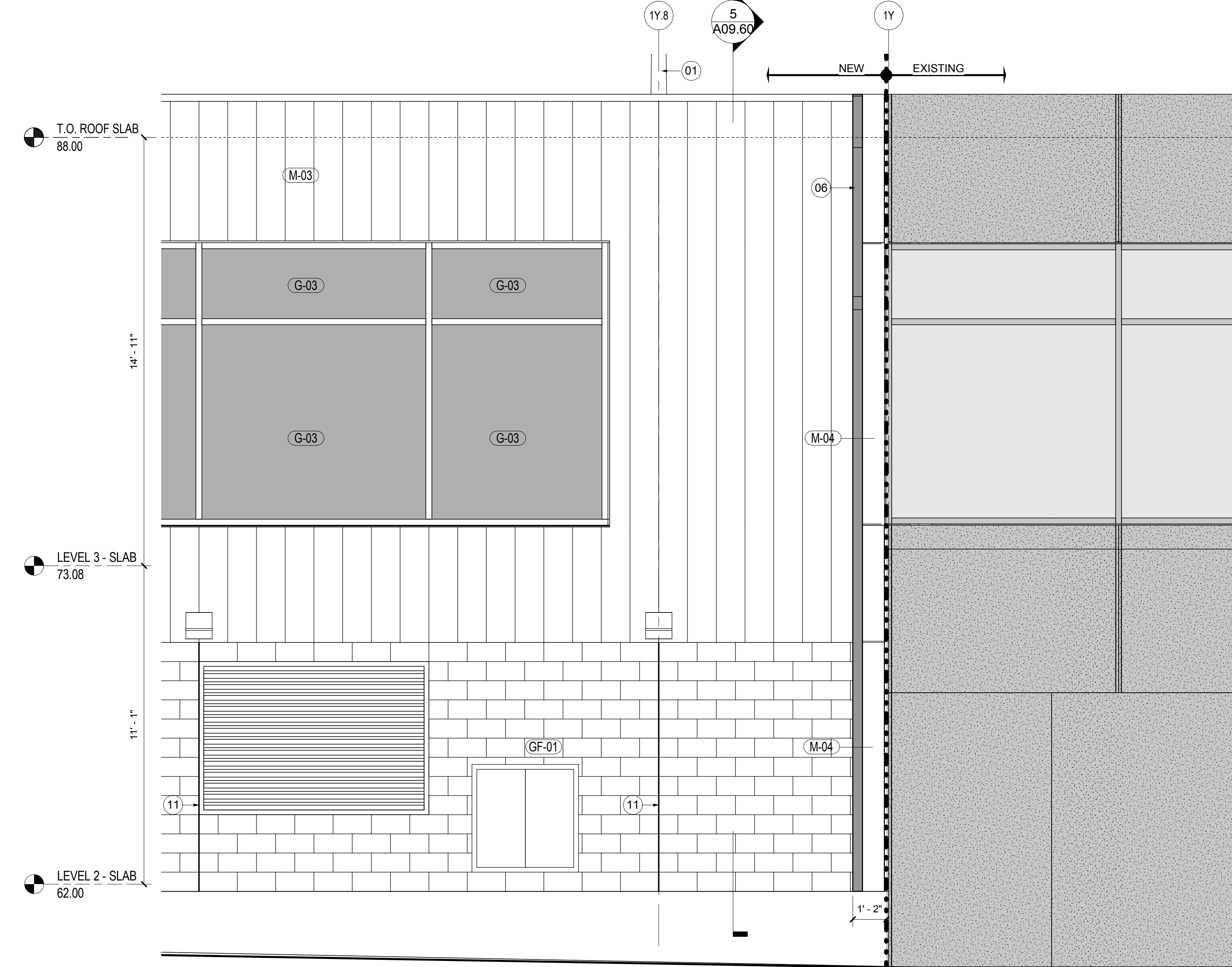
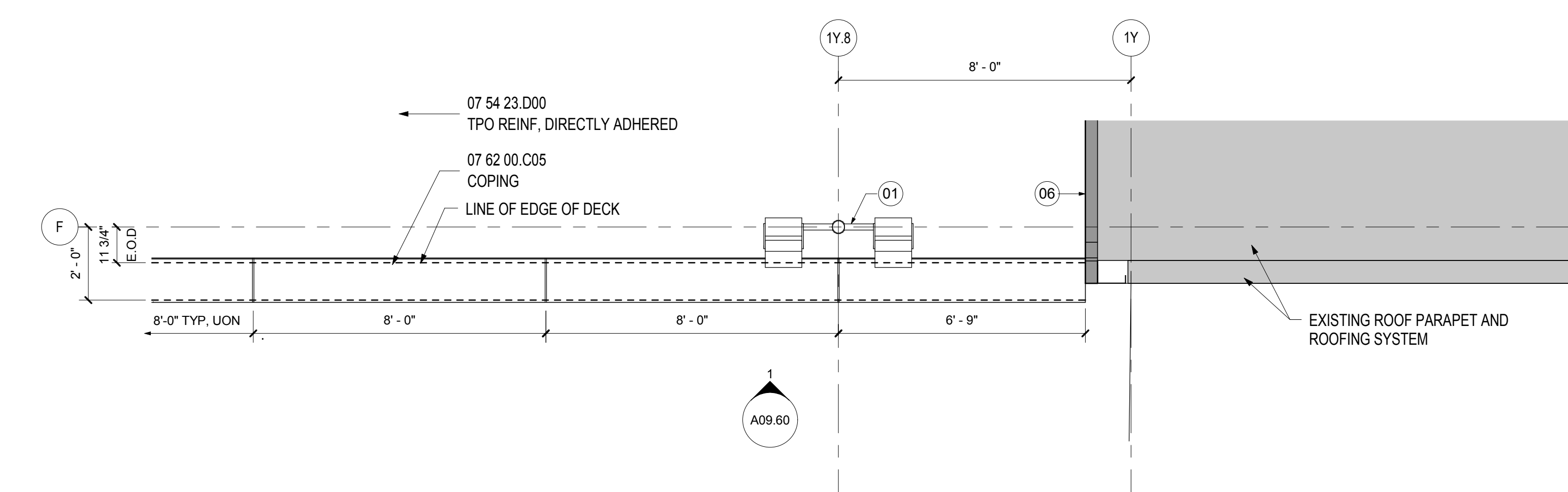


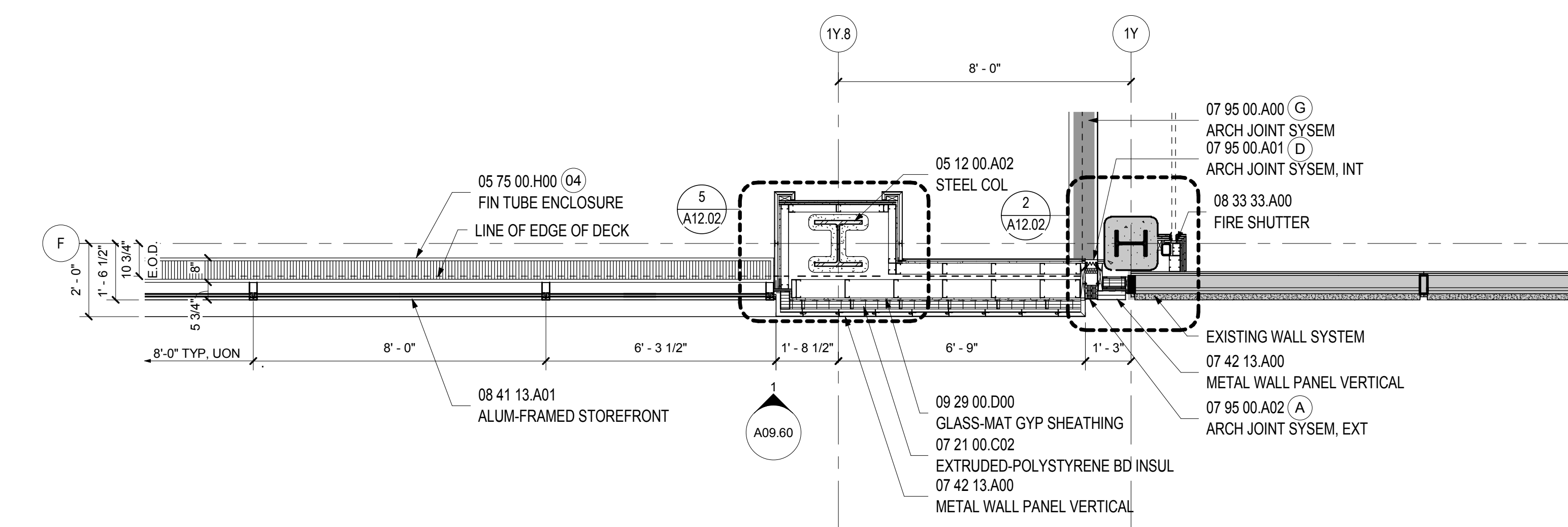
WALL TYPE E - SECTION
SCALE: 3/8" = 1'-0" A09.60



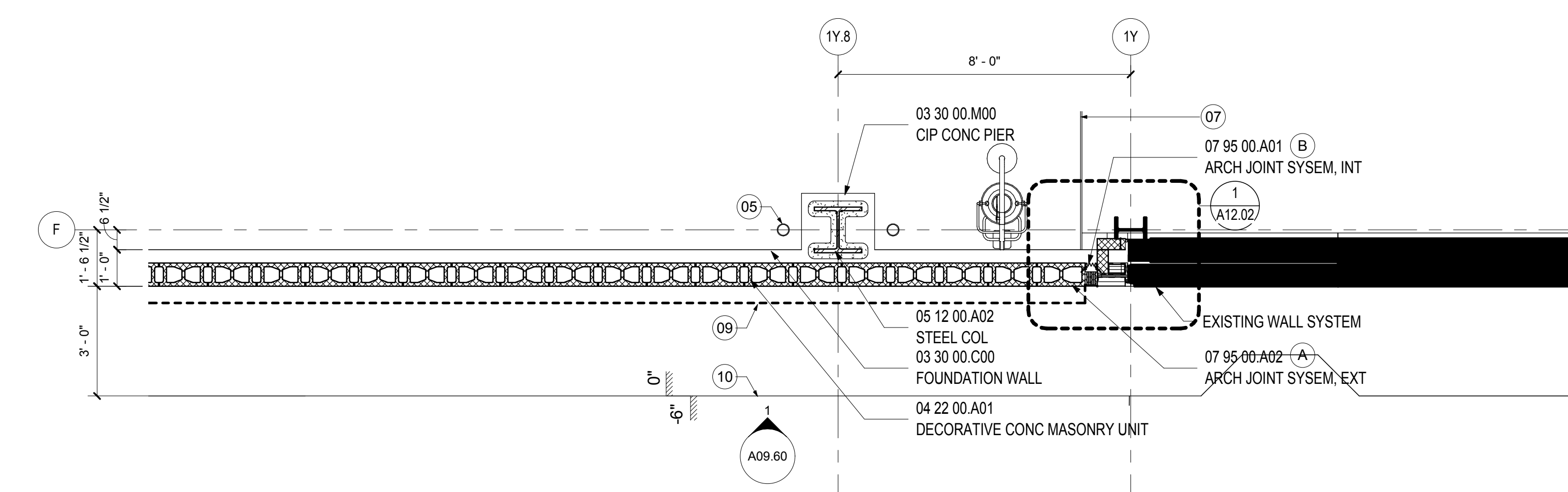
WALL TYPE E - ELEVATION
SCALE: 3/8" = 1'-0" A09.01



WALL TYPE E - PLAN ROOF
SCALE: 3/8" = 1'-0" A02.RP.04



WALL TYPE E - PLAN LEVEL 3
SCALE: 3/8" = 1'-0" A02.03.02



WALL TYPE E - PLAN LEVEL 2
SCALE: 3/8" = 1'-0" A02.02.03

SHEET NOTES

- 01 APRON LIGHTING. RE: 10/A12.50 FOR ANCHOR DETAIL. RE: STRUCTURAL AND ELECTRICAL FOR MORE INFORMATION.
- 02 LINE OF CEILING. RE: A04 SERIES FOR MORE INFORMATION.
- 03 PASSENGER BOARDING BRIDGE. OWNER PROVIDED. INSTALLED BY CONTRACTOR
- 04 FIN TUBE ENCLOSURE. RE: MECHANICAL DRAWINGS FOR FIN TUBE INFORMATION.
- 05 RAIN LEADER WHERE OCCURS. REF: PLUMBING DRAWINGS FOR LOCATIONS.
- 06 EXPANSION JOINT
- 07 CONTRACTION/CONSTRUCTION JOINT. RE: STRUCTURAL DRAWINGS FOR MORE INFORMATION.
- 08 LOCATION OF PDB DISCONNECT SWITCH. RE: ELECTRICAL DRAWINGS FOR MORE INFORMATION.
- 09 LINE OF SOFFIT ABOVE
- 10 LINE OF SIDEWALK BELOW. RE: CIVIL DRAWINGS FOR MORE INFORMATION.
- 11 VERTICAL CONTROL JOINTS AT CMU 16'-0" O.C. WITH COLUMN LINE
- 12 PIPE BOLLARD. RE: DETAIL 11/A12.15
- 13 TRASH COMPACTOR (BY OTHERS)
- 14 TRENCH DRAIN AT BOTTOM OF RAMP. RE: CIVIL DRAWINGS FOR MORE INFORMATION
- 15 RETAINING WALL. RE: CIVIL DRAWINGS FOR MORE INFORMATION.

Portland International Jetport
1001 Westbrook Street
Portland, Maine 04102

Gensler
2020 K Street, Northwest
Suite 200
Washington DC 20006
Telephone 202.721.5200
Facsimile 202.872.8587

Issue	Date & Issue Description	By	Check
01	12/01/08		
02	75% CONSTRUCTION DOCUMENTS		
03	95% CONSTRUCTION DOCUMENTS		
04	ISSUED FOR PERMIT		

Seal/Signature



Project Name
PWM Terminal Enhancement

Project Number
09.6395.000

Description
WALL TYPE E

Scale
3/8" = 1'-0"

A09.60

© 2009 Gensler