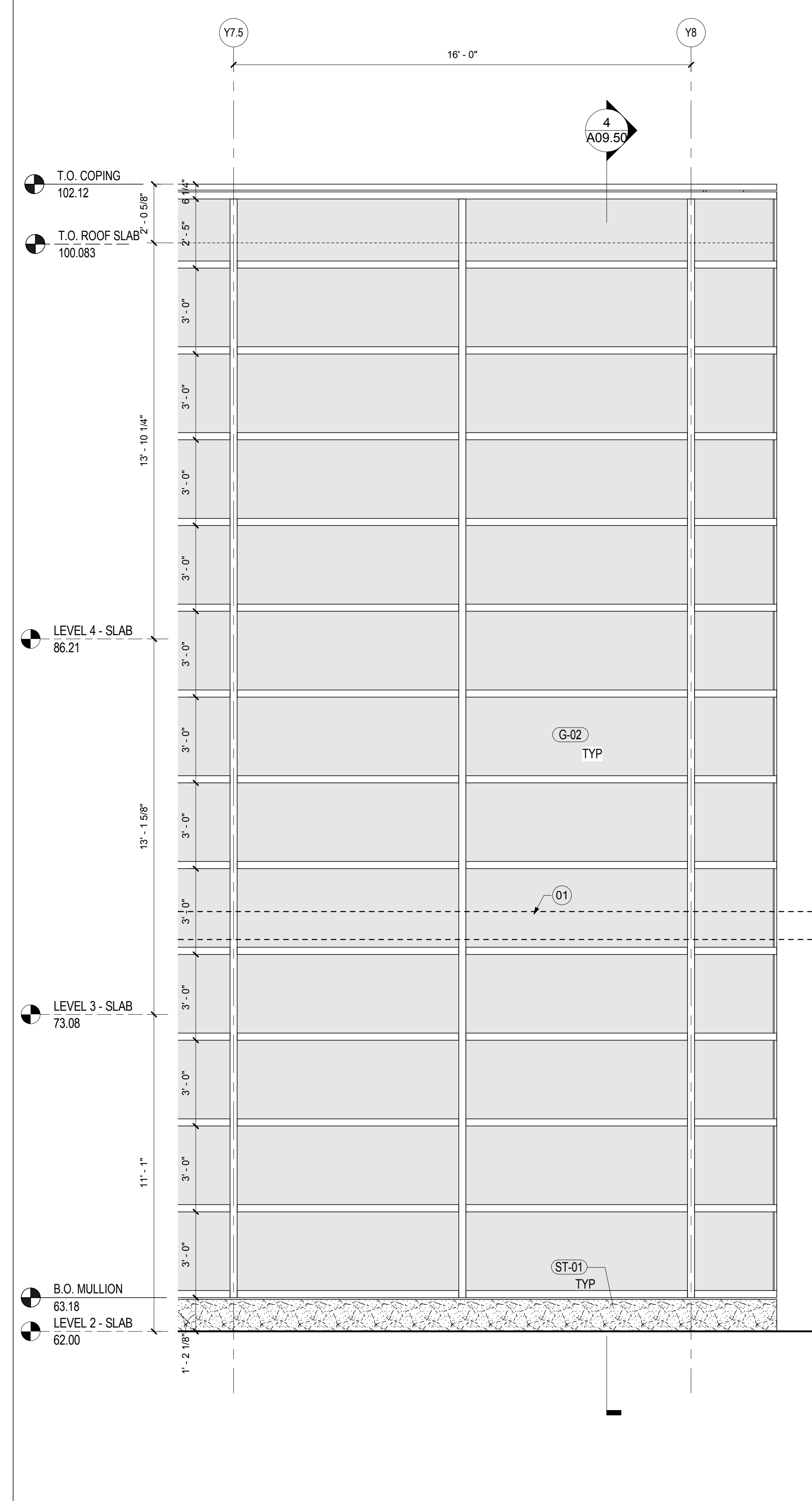


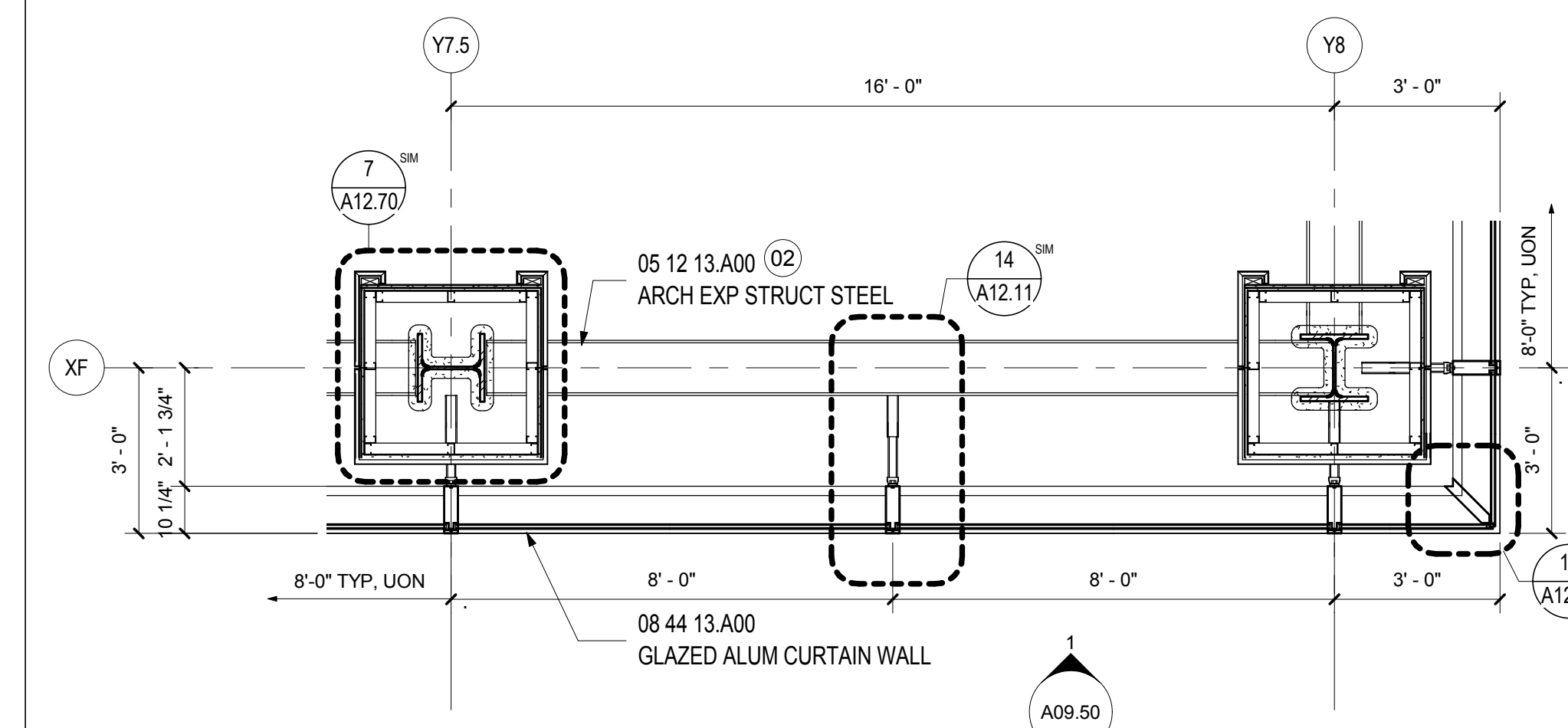
WALL TYPE D - SECTION
SCALE: 3/8" = 1'-0"

A09.50



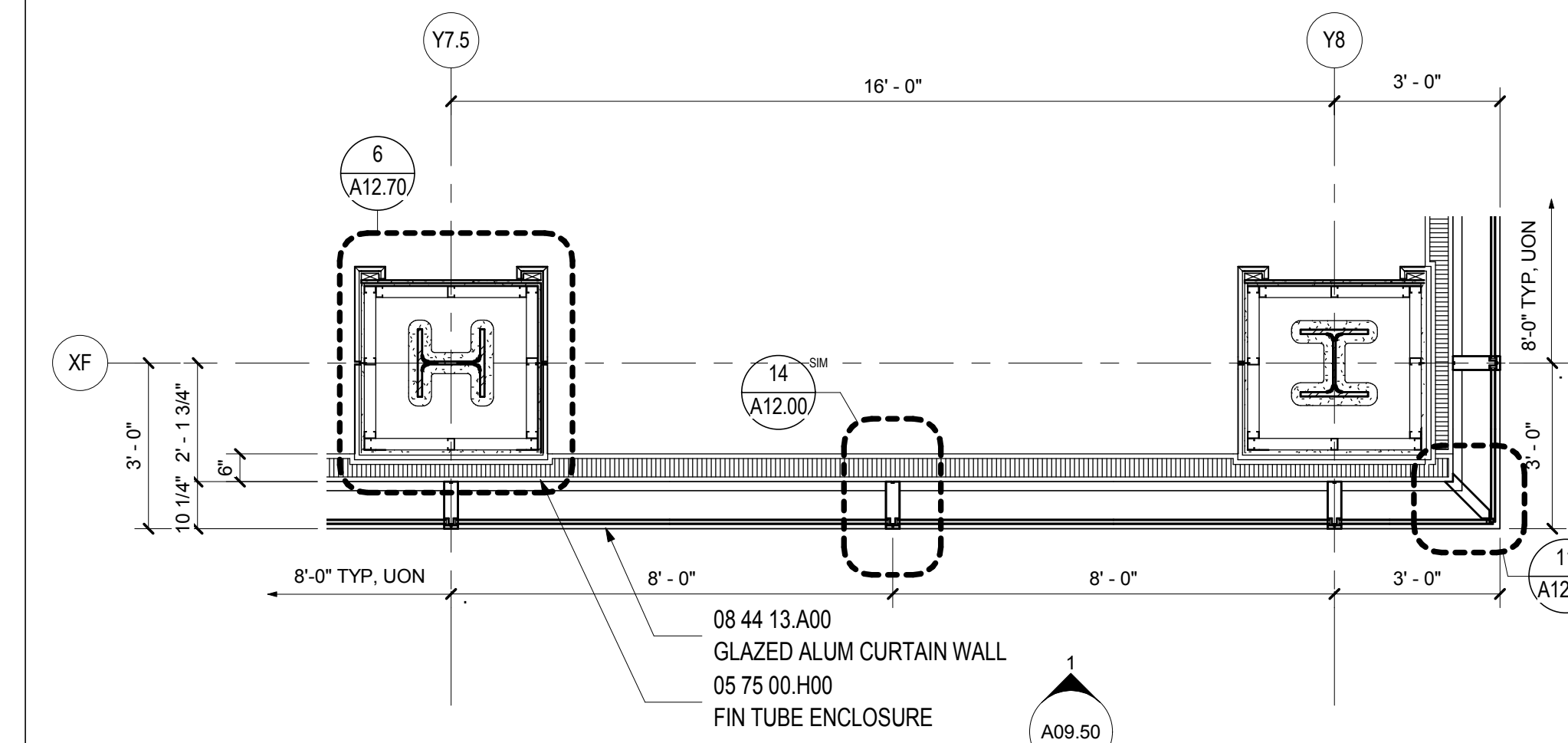
WALL TYPE D - ELEVATION
SCALE: 3/8" = 1'-0"

A09.03



WALL TYPE D - PLAN LEVEL 3
SCALE: 3/8" = 1'-0"

A02.03.05



WALL TYPE D - PLAN LEVEL 2
SCALE: 3/8" = 1'-0"

A02.02.03

SHEET NOTES

- 01 LINE OF CANOPY BEYOND
- 02 EXPOSED STEEL TO RECEIVE INTUMESCENT FIRE-RESISTANT COATING & FINISHES AS SCHEDULED
- 03 PROVIDE 1 1/2" SLAB DEPRESSION FOR INSTALLATION OF REVOLVING DOOR AND WALK OFF MAT. RE: A02.02.05 AND STRUCTURAL DRAWINGS FOR EXTENT.
- 04 PROVIDE METAL INFILL AT INTERSECTION.
- 05 LINE OF EXTENDED VERTICAL MULLIONS FOR ATTACHMENT TO BEAM.

Portland International
Jetport

1001 Westbrook Street
Portland, Maine 04102

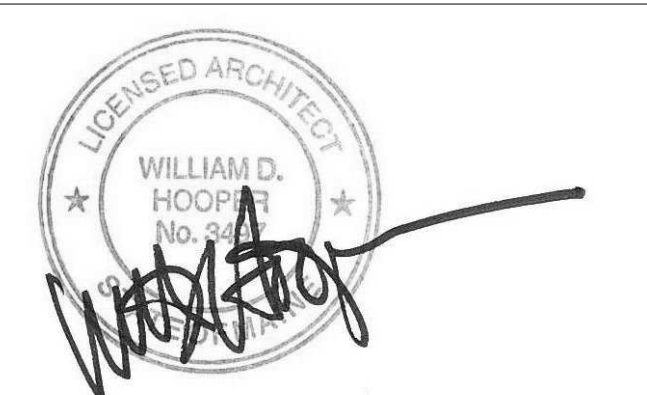
Gensler
2020 K Street, Northwest
Suite 200
Washington DC 20006
Telephone 202.721.5200
Facsimile 202.872.8587

Issue	Date & Issue Description	By	Check
01	08/22/08		
02	DESIGN DEVELOPMENT		
02	12/03/08		
03	75% CONSTRUCTION DOCUMENTS		
03	01/23/09		
04	95% CONSTRUCTION DOCUMENTS		
04	10/28/09		
	ISSUED FOR PERMIT		

GENERAL NOTES

A RE: FINISH SCHEDULE & PROJECT MANUAL FOR MULLION FINISH ASSOCIATED W/ GLAZING UNIT.

Seal/Signature



Project Name
PWM Terminal Enhancement

Project Number
09-6395-000

Description
WALL TYPE D

Scale
As indicated

A09.50

© 2009 Gensler