

**SHEET NOTES**

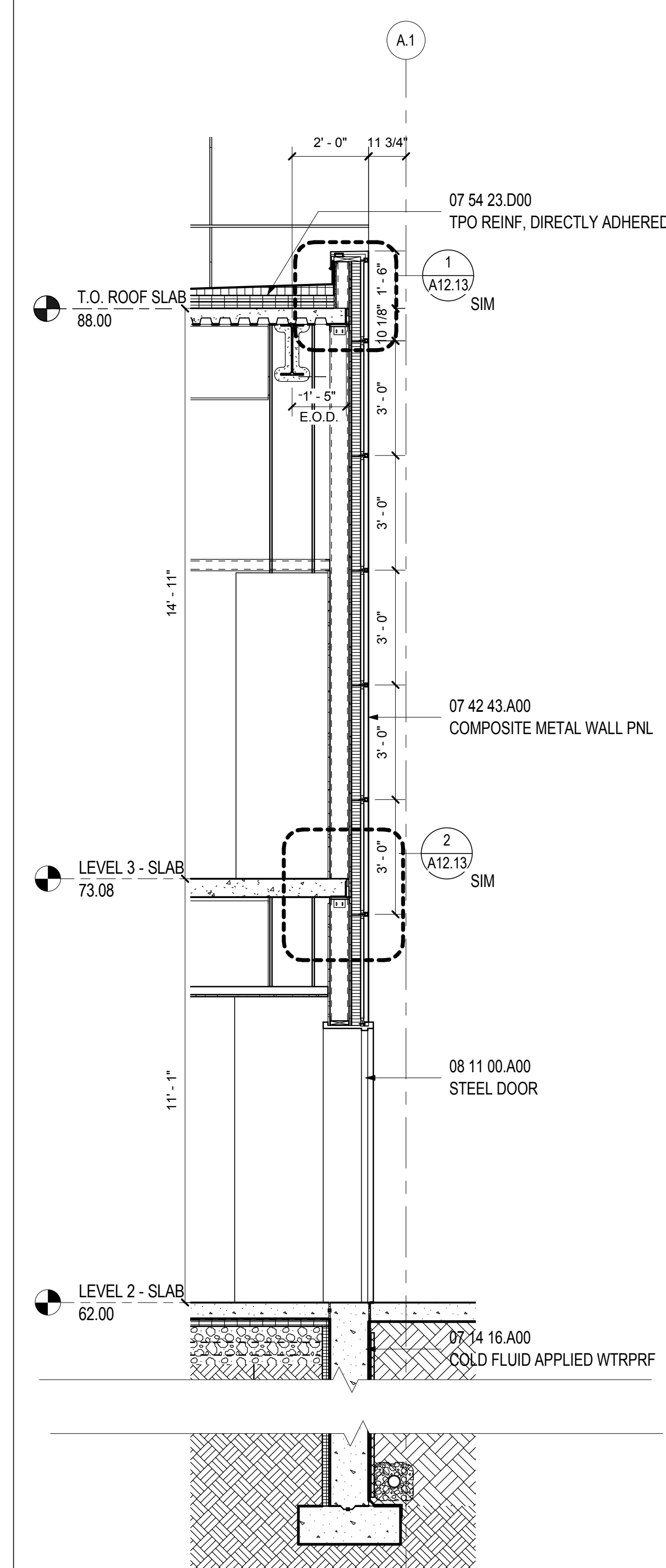
- 01 EXPANSION JOINT, RE: A02 SERIES FOR TYPE
- 02 SCHEDULED LIGHT FIXTURE
- 03 EXISTING PRECAST FACADE TO REMAIN
- 04 EXISTING STOREFRONT TO REMAIN
- 05 EXPOSED STEEL TO RECEIVE INTUMESCENT FIRE-RESISTANT COATING & FINISHES AS SCHEDULED

**Portland International Jetport**

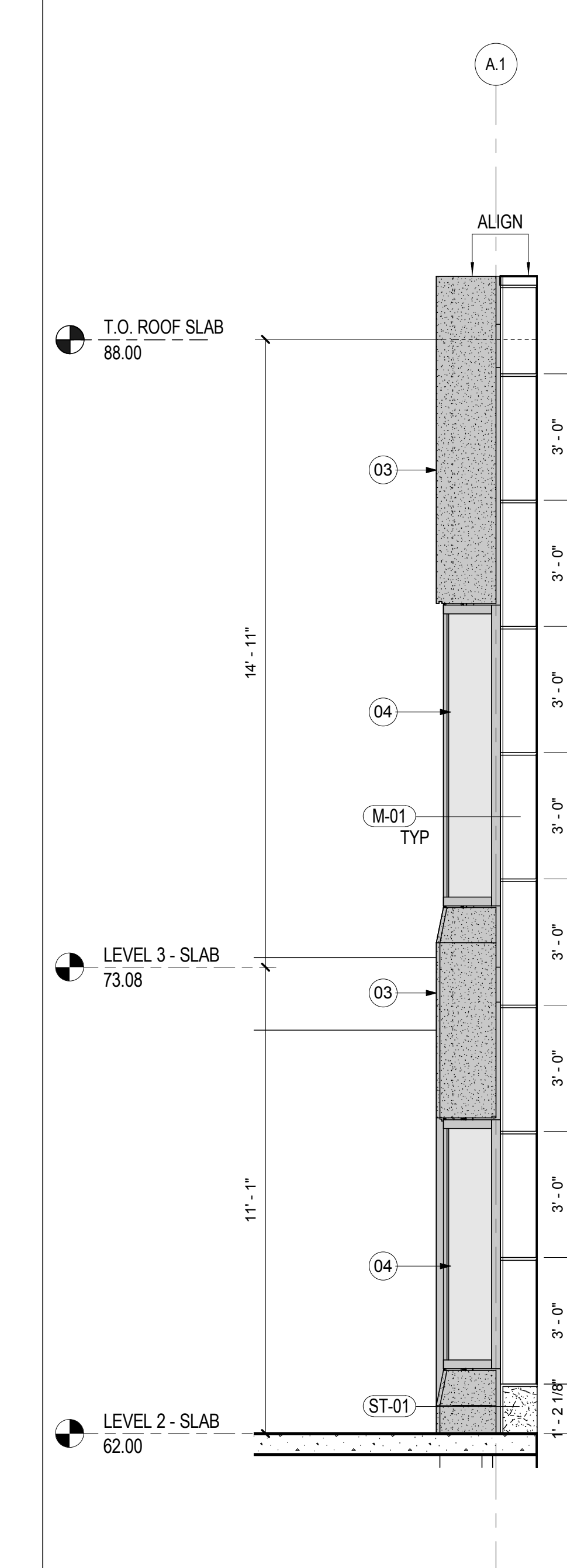
1001 Westbrook Street  
Portland, Maine 04102

2020 K Street, Northwest  
Suite 200  
Washington DC 20006  
Telephone 202.721.5200  
Facsimile 202.872.8587

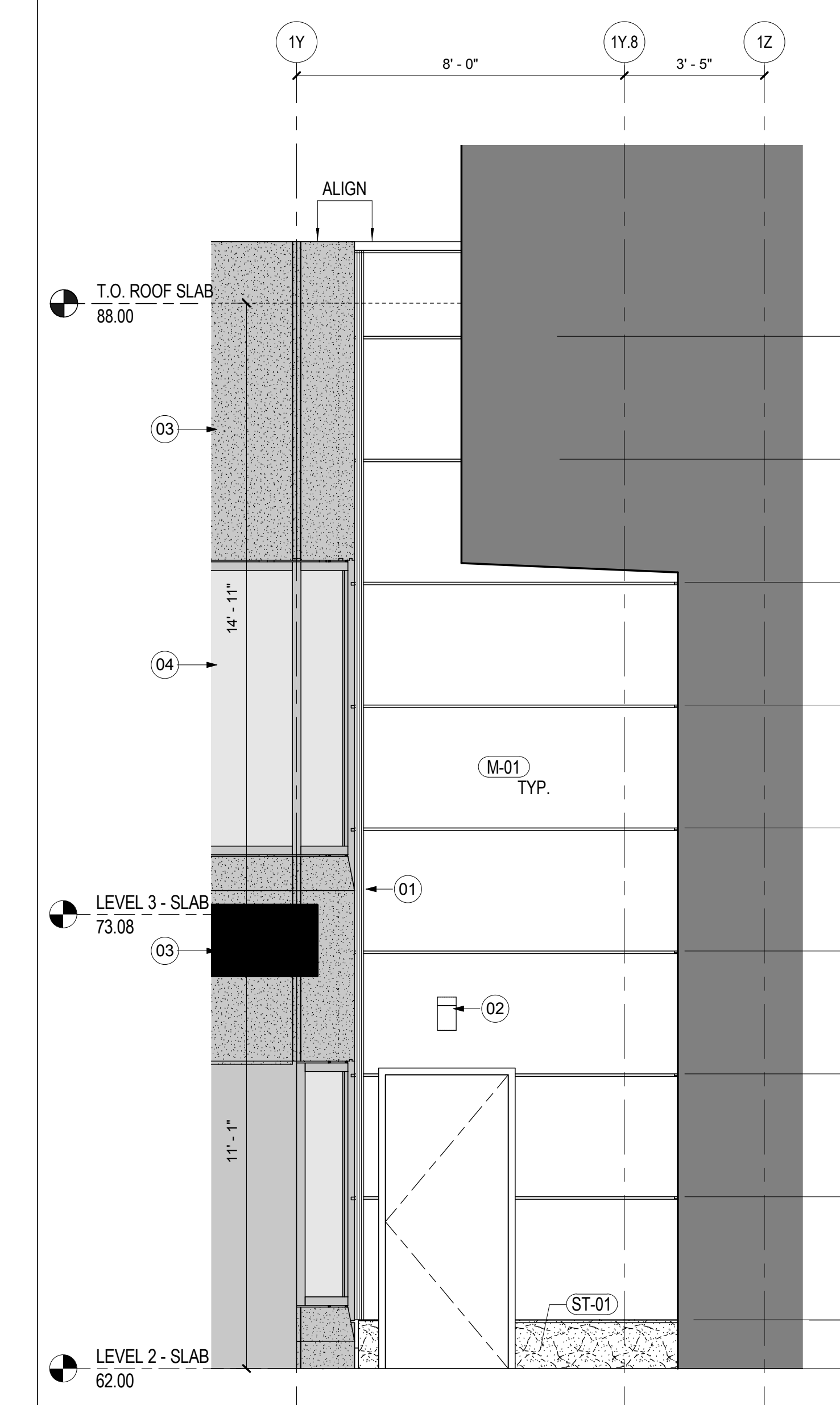
**Gensler**



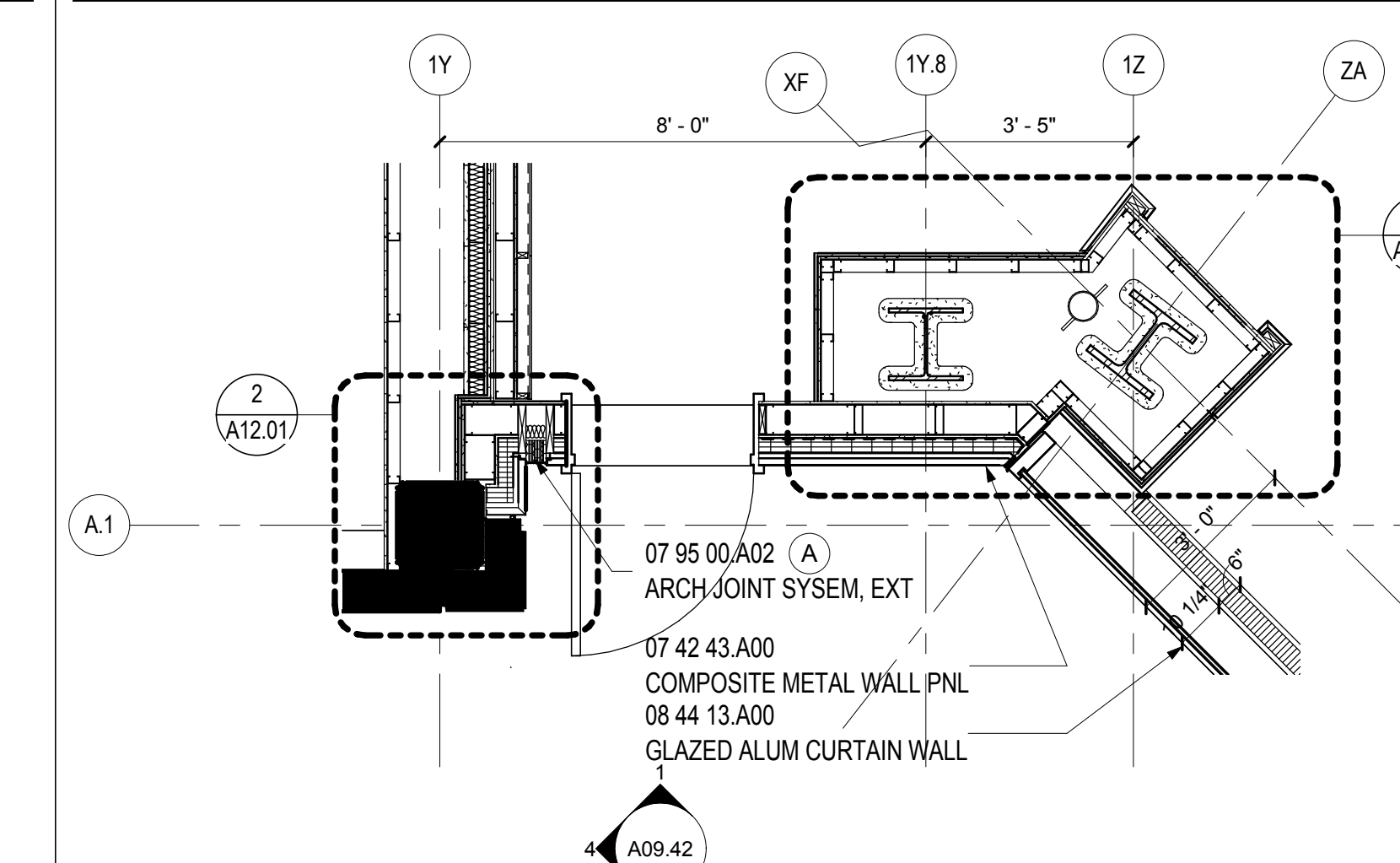
**WALL TYPE C.2 - SECTION**  
SCALE: 3/8" = 1'-0"



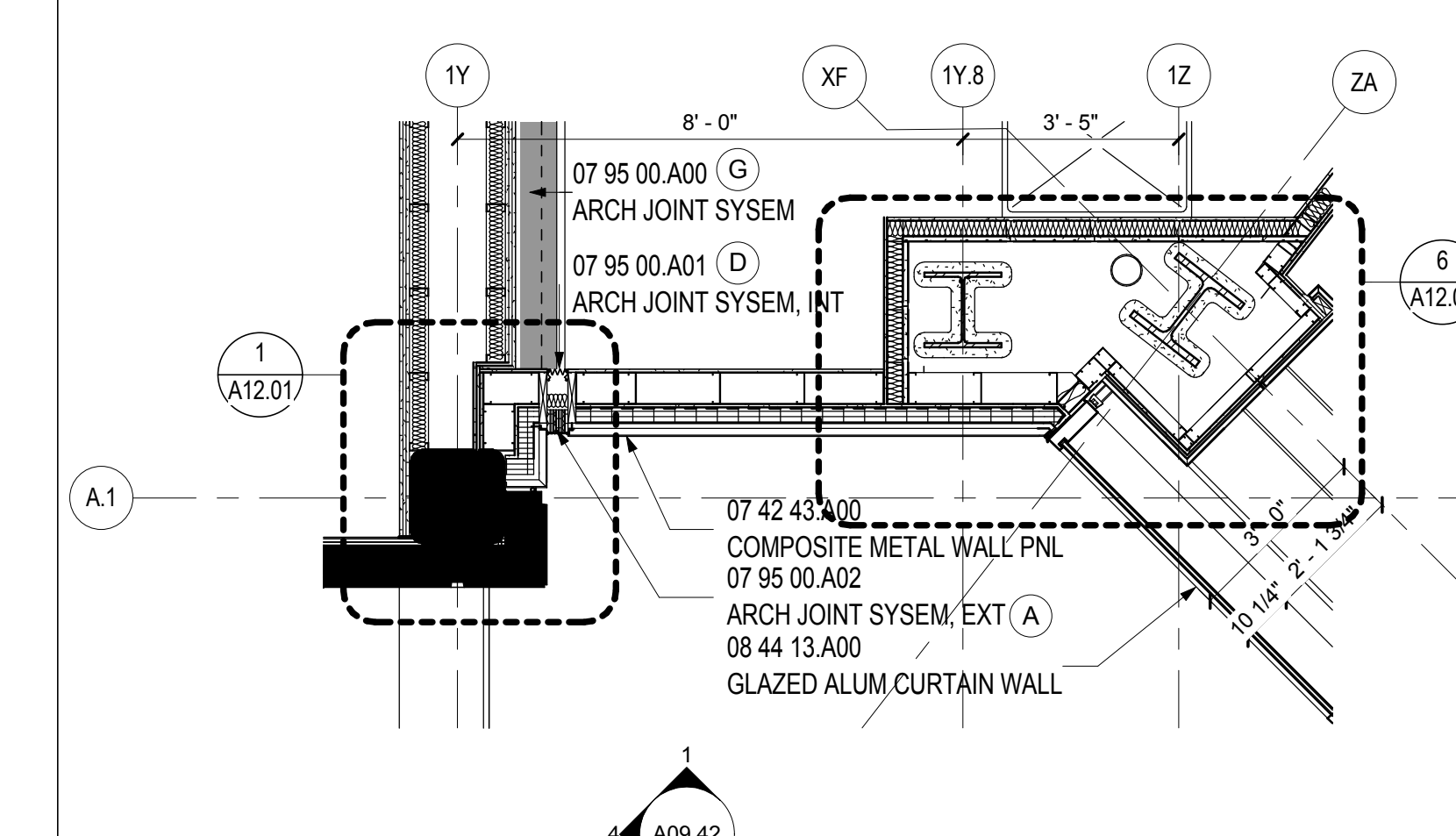
**WALL TYPE C.2 ELEVATION C**  
SCALE: 3/8" = 1'-0" A09.42



**WALL TYPE C.2 - ELEVATION B**  
SCALE: 3/8" = 1'-0" A09.03



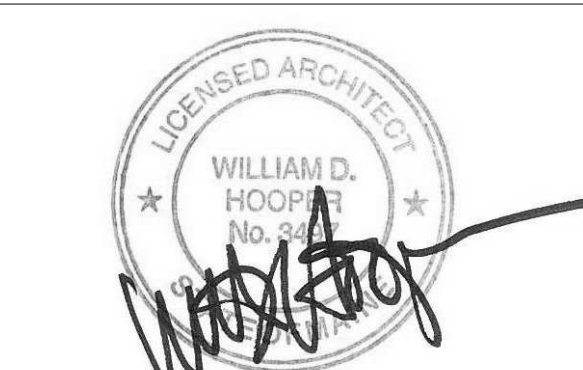
**WALL TYPE C.2 PLAN LEVEL 2**  
SCALE: 3/8" = 1'-0" A02.02.03



**WALL TYPE C.2 PLAN LEVEL 3**  
SCALE: 3/8" = 1'-0" A02.03.02

Issue	Date & Issue Description	By	Check
01	01/22/09		
02	95% CONSTRUCTION DOCUMENTS		
02	10/28/09		
	ISSUED FOR PERMIT		

Seal/Signature



Project Name  
PWM Terminal Enhancement

Project Number  
09-6395-000

Description  
WALL TYPE C.2

Scale  
3/8" = 1'-0"

**A09.42**

© 2009 Gensler