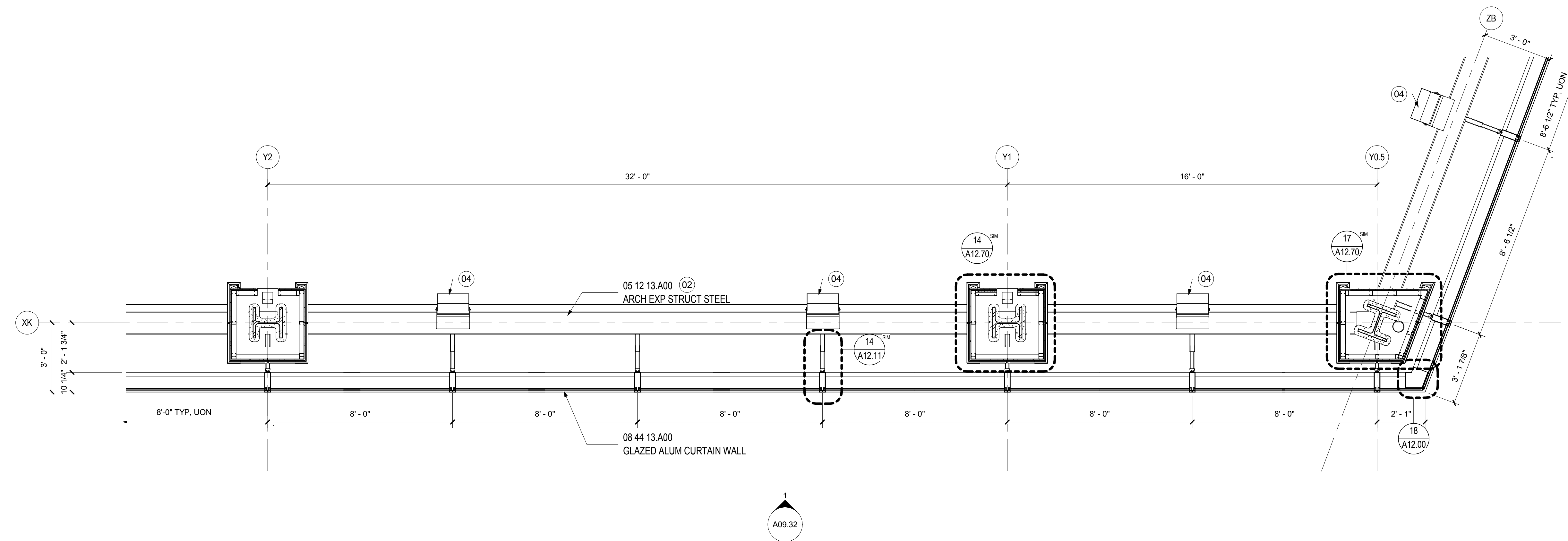


WALL TYPE B.3 - ELEVATION

SCALE: 3/8" = 1'-0"

A09.01

1



WALL TYPE B.3 - PLAN LEVEL 5

SCALE: 3/8" = 1'-0"

A02.05.05

2

SHEET NOTES

- 01 EXTRUDED ALUMINUM EXTENSION CAPPED MULLION
- 02 EXPOSED STEEL TO RECEIVE INTUMESCENT FIRE-RESISTANT COATING & FINISHES AS SCHEDULED
- 03 LINE OF GYPSUM BOARD LEDGE BELOW
- 04 SCHEDULED LIGHT FIXTURE.
- 05 PROVIDE END CAP AT MULLION EXTENSION
- 06 CAP END OF FIN TUBE ENCLOSURE.

Portland International Jetport

1001 Westbrook Street
Portland, Maine 04102

Gensler

2020 K Street, Northwest
Suite 200
Washington DC 20006
Telephone 202.721.5200
Facsimile 202.872.8587

Issue	Date & Issue Description	By	Check
01	08/22/09		
02	12/03/08		
03	01/23/09		
04	10/28/09		

GENERAL NOTES

A RE: FINISH SCHEDULE & PROJECT MANUAL FOR MULLION FINISH ASSOCIATED W/ GLAZING UNIT.

Seal/Signature



Project Name
PWM Terminal Enhancement

Project Number
09.6395.000

Description
WALL TYPE B.3

Scale
As indicated

A09.32

© 2009 Gensler