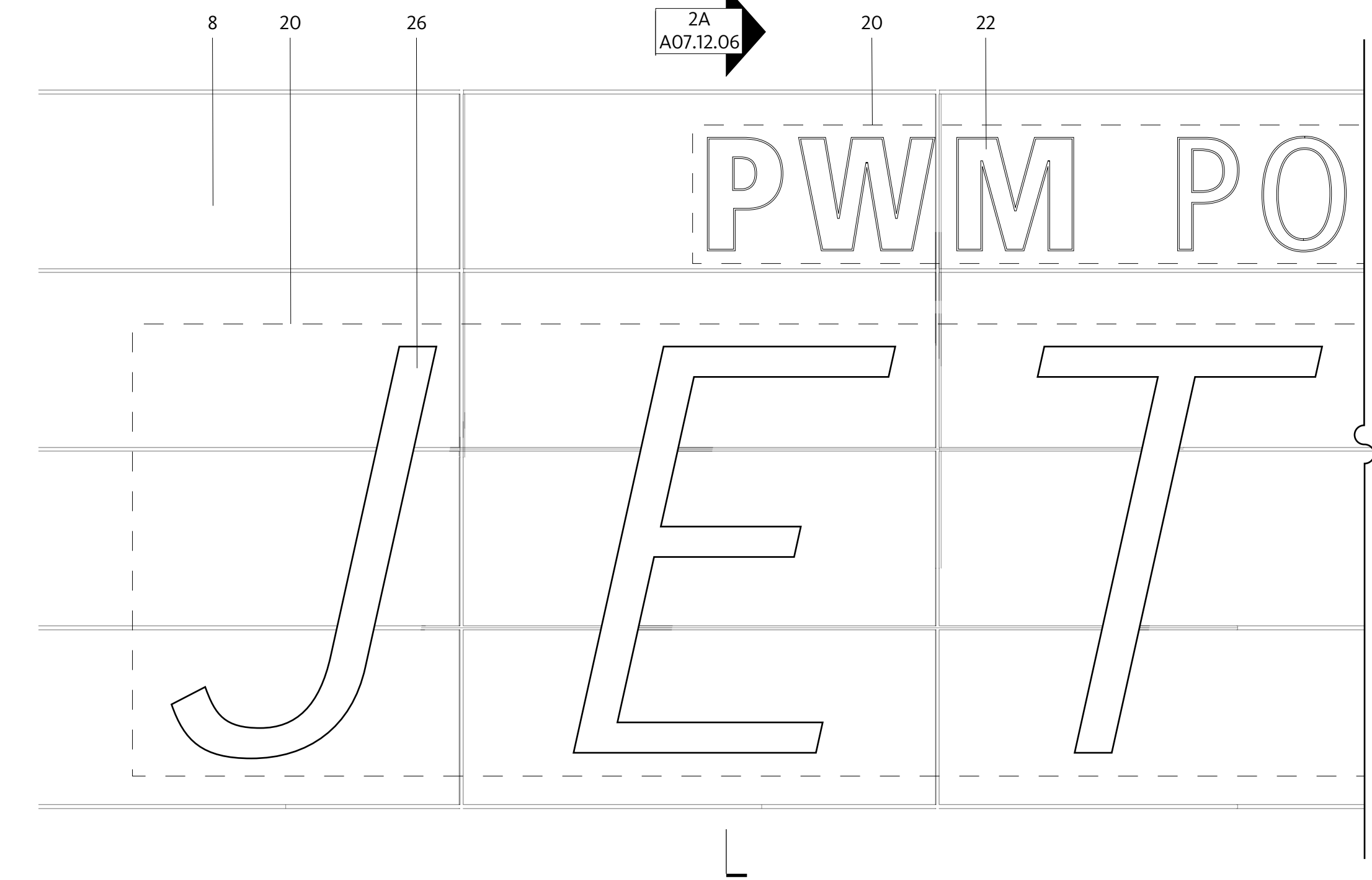


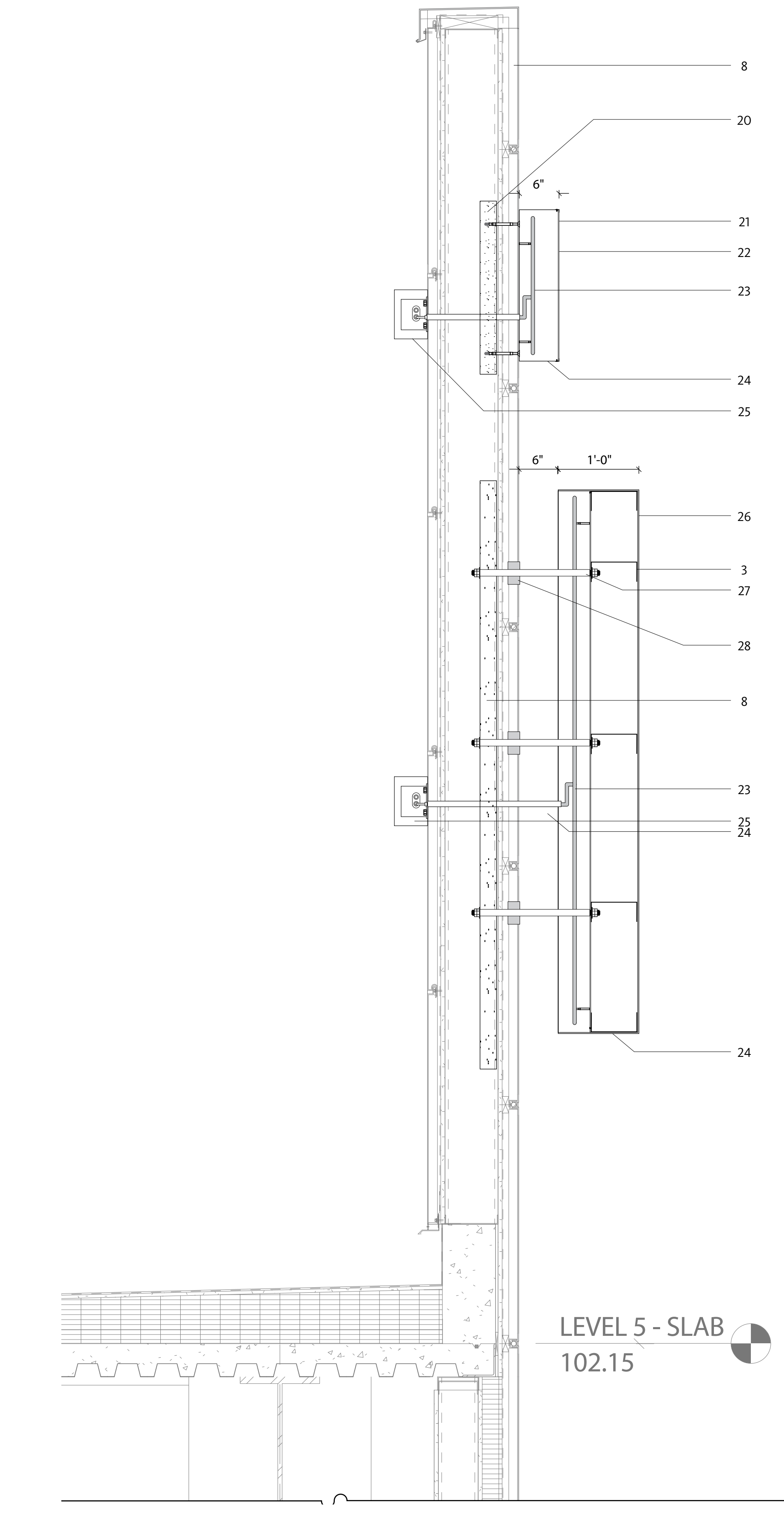
A I.4 EXTERIOR ID: ELEVATION
SCALE: 1/8"=1'-0"



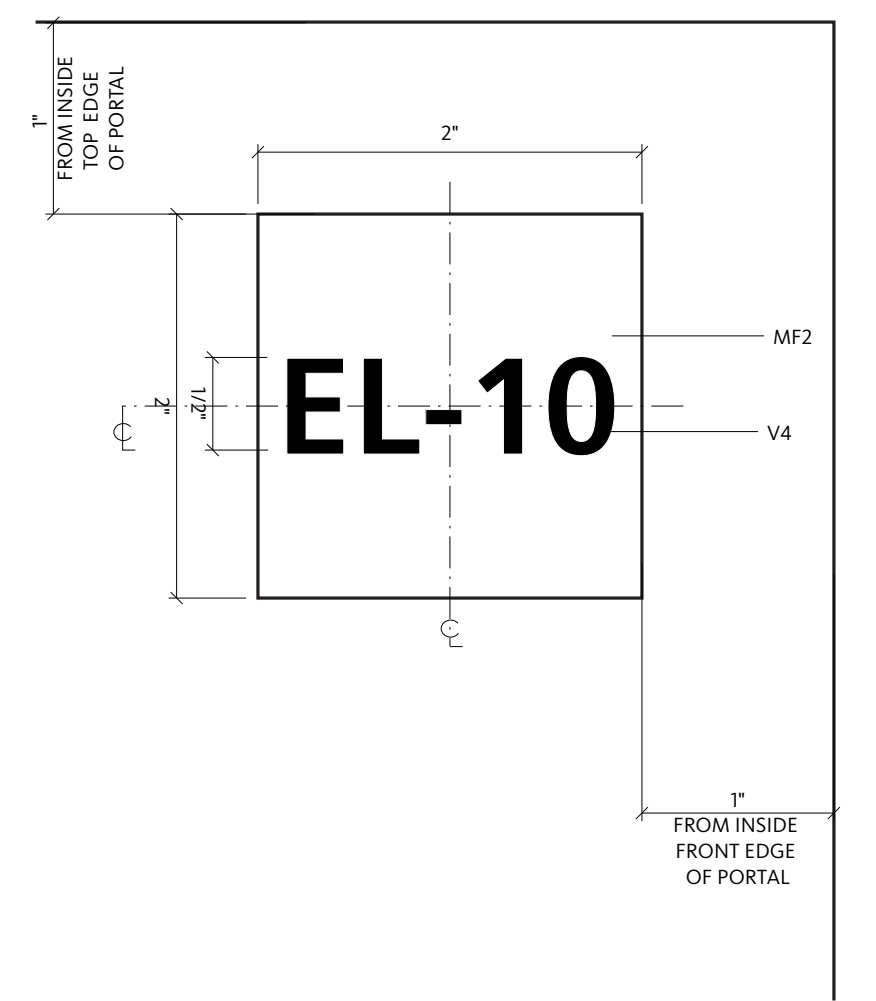
B I.4 EXTERIOR ID: DETAIL
SCALE: 1/2"=1'-0"

SHEET NOTES

- Counter Sunk Screw: Where visible, paint to match adjacent surfaces
- Sign Body: MF1
- Internal Armature: As necessary to prevent oil-canning, type determined by fabricator
- Fluorescent Tube or LED
- Ballasts (or equivalent) for Fluorescent Tube or LED
- Sign Frame: MF1, aluminum armature
- Mechanical Fastener: As necessary, steel type determined by fabricator
- Wallpanel by G.C.: Provide blocking as necessary
- Sign Panel: 4 mil. Dibond composite material, matte white paintable surfaces, from www.alcancompositeusa.com
- Braille Beads: ADA compliant, match background color
- Metal Stud: Mounted to back of Sign Body for installation
- Fixed Sign Body
- Movable Sign Window
- Fixed Sign Backer: Brake-formed aluminum
- Sign Support: MF2, steel square pipe
- Weld: 5/16" on all connecting edges, paint to match adjacent surfaces
- VHB Foam Tape
- Acetate Insert: Sign fabricator to supply first round of inserts and word processing templates for creating new inserts
- Raised Lettering and/or Symbol: ADA compliant, match P1
- Concealed Blocking: by G.C.
- Sign Frame: MF1, P4, Mechanically fastened to the wall with concealed, anti-corrosive fasteners
- Internally illuminated Sign Face: AC1 with V2 on 2nd surface. Removable for light fixture maintenance.
- Neon or LED: White
- Weep Holes
- Transformer: in weatherproof case, connect to remote switch (and photocell/digital timer if requested). Switch location TBD with owner.
- Halo lit ribbon letter: MF1, P3, Grind smooth all exposed welds. No visible fasteners/seams on front surface. Mechanically fastened to the wall with concealed, anti-corrosive fasteners.
- Mounting Rod: MF1, P 1, double bolted on each end. As minimum appearance as possible. Fabricator to coordinate with GC to install support prior to wall being finished.
- Rubber Gasket
- Text: Direct print to second surface of glass
- Solid Surfacing by G.C.



A I.4 EXTERIOR ID: SECTION
SCALE: 1"=1'-0"



B I.5 ESCALATOR/ELEVATOR ID: ELEVATION
SCALE: 1:1

| LEVEL | SIGN TYPE | DESCRIPTION | LOCATION | MESSAGE |
|-------|-----------|--------------|-------------|---------|
| 2 | I.S | ESCALATOR ID | ESCALATOR 4 | ES-03 |
| 2 | I.S | ESCALATOR ID | ESCALATOR 5 | ES-04 |
| 2 | I.S | ELEVATOR ID | ELEVATOR 4 | EL-04 |
| 2 | I.S | ELEVATOR ID | ELEVATOR 5 | EL-05 |
| 2 | I.S | ELEVATOR ID | ELEVATOR 8 | EL-08 |
| 3 | I.S | ESCALATOR ID | ESCALATOR 5 | ES-05 |
| 3 | I.S | ESCALATOR ID | ESCALATOR 6 | ES-06 |
| 3 | I.S | ELEVATOR ID | ELEVATOR 6 | EL-06 |
| 3 | I.S | ELEVATOR ID | ELEVATOR 7 | EL-07 |
| 3 | I.S | ELEVATOR ID | ELEVATOR 8 | EL-08 |
| 4 | I.S | ESCALATOR ID | ESCALATOR 3 | ES-03 |
| 4 | I.S | ESCALATOR ID | ESCALATOR 4 | ES-04 |
| 4 | I.S | ESCALATOR ID | ESCALATOR 5 | ES-05 |
| 4 | I.S | ESCALATOR ID | ESCALATOR 6 | ES-06 |
| 4 | I.S | ELEVATOR ID | ELEVATOR 4 | EL-04 |
| 4 | I.S | ELEVATOR ID | ELEVATOR 5 | EL-05 |
| 4 | I.S | ELEVATOR ID | ELEVATOR 6 | EL-06 |
| 4 | I.S | ELEVATOR ID | ELEVATOR 7 | EL-07 |
| 4 | I.S | ELEVATOR ID | ELEVATOR 8 | EL-08 |

C I.5 ESCALATOR/ELEVATOR ID: MESSAGE SCHEDULE
SCALE: NTS

GENERAL NOTES

- Provide caulking and sealant as required to achieve water tight condition for all thru-wall installations.

Portland International Jetport
1001 Westbrook Street
Portland, Maine 04102

Gensler
2020 K Street, Northwest
Suite 200
Washington DC 20006
Telephone 202.721.5200
Facsimile 202.872.8587

| Issue | Date & Issue Description | By | Check |
|-------|--|-------|-------|
| 01 | 01/23/09 99% CONSTRUCTION DOCUMENTS | BR | CK |
| 02 | 10/26/09 ISSUED FOR PERMIT | BR/SH | MJ/TO |

Seal/Signature

Project Name
PWM Terminal Enhancement

Project Number
09-6395-000

Description
SIGNAGE & WAYFINDING: ELEVATIONS, SECTIONS, DETAILS

Scale
As Indicated

A07.12.06

© 2009 Gensler