

**SHEET NOTES**

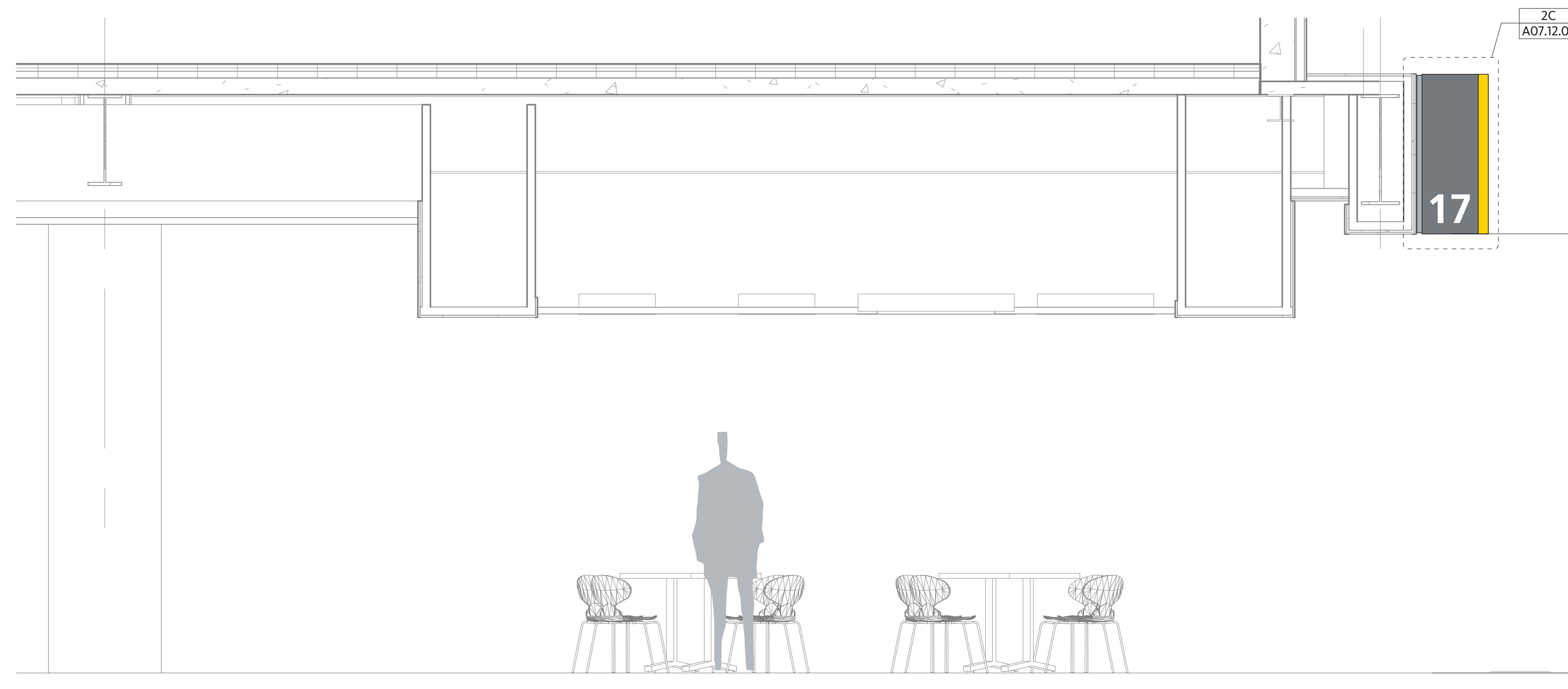
1. Counter Sunk Screw: Where visible, paint to match adjacent surfaces
2. Sign Body: MF1
3. Internal Armature: As necessary to prevent oil-canning, type determined by fabricator
4. Fluorescent Tube or LED
5. Ballasts (or equivalent) for Fluorescent Tube or LED
6. Sign Frame: MF1, aluminum armature
7. Mechanical Fastener: As necessary, steel type determined by fabricator
8. Wallpanel by G.C.: Provide blocking as necessary
9. Sign Panel: 4 mil. Dibond composite material, matte white paintable surfaces, from www.alcancompositeusa.com
10. Braille Beads: ADA compliant, match background color
11. Metal Stud: Mounted to back of Sign Body for installation
12. Fixed Sign Body
13. Moveable Sign Window
14. Fixed Sign Backer: Brake-formed aluminum
15. Sign Support: MF2, steel square pipe
16. Weld: 5/16" on all connecting edges, paint to match adjacent surfaces
17. VHB Foam Tape
18. Acetate Insert: Sign fabricator to supply first round of inserts and word processing templates for creating new inserts
19. Raised Lettering and/or Symbol: ADA compliant, match P1
20. Concealed Blocking: by G.C.
21. Sign Frame: MF1, P4, Mechanically fastened to the wall with concealed, anti-corrosive fasteners
22. Internally illuminated Sign Face: AC1 with V2 on 2nd surface. Removable for light fixture maintenance.
23. Neon or LED: White
24. Weep Holes
25. Transformer: in weatherproof case, connect to remote switch (and photocell/digital timer if requested). Switch location TBD with owner.
26. Halo lit ribbon letter: MF1, P3, Grind smooth all exposed welds. No visible fasteners/seams on front surface. Mechanically fastened to the wall with concealed, anti-corrosive fasteners.
27. Mounting Rod: MF1, P 1, double bolted on each end. As minimum appearance as possible. Fabricator to coordinate with GC to install support prior to wall being finished.
28. Rubber Gasket
29. Text: Direct print to second surface of glass
30. Solid Surfacing by G.C.

**Portland International Jetport**

1001 Westbrook Street  
Portland, Maine 04102

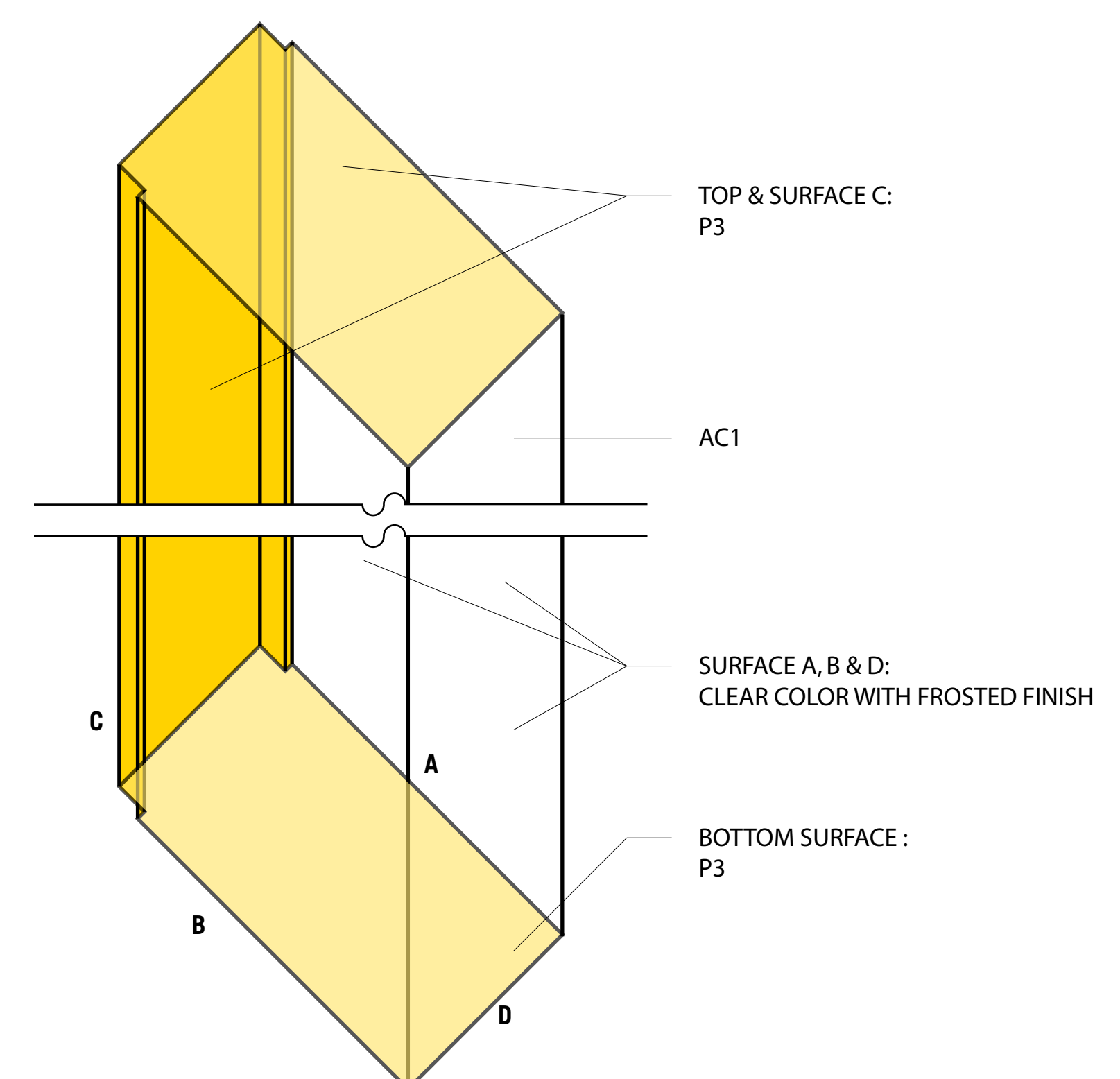
**Gensler**

2020 K Street, Northwest  
Suite 200  
Washington DC 20006  
Telephone 202.721.5200  
Facsimile 202.872.8587

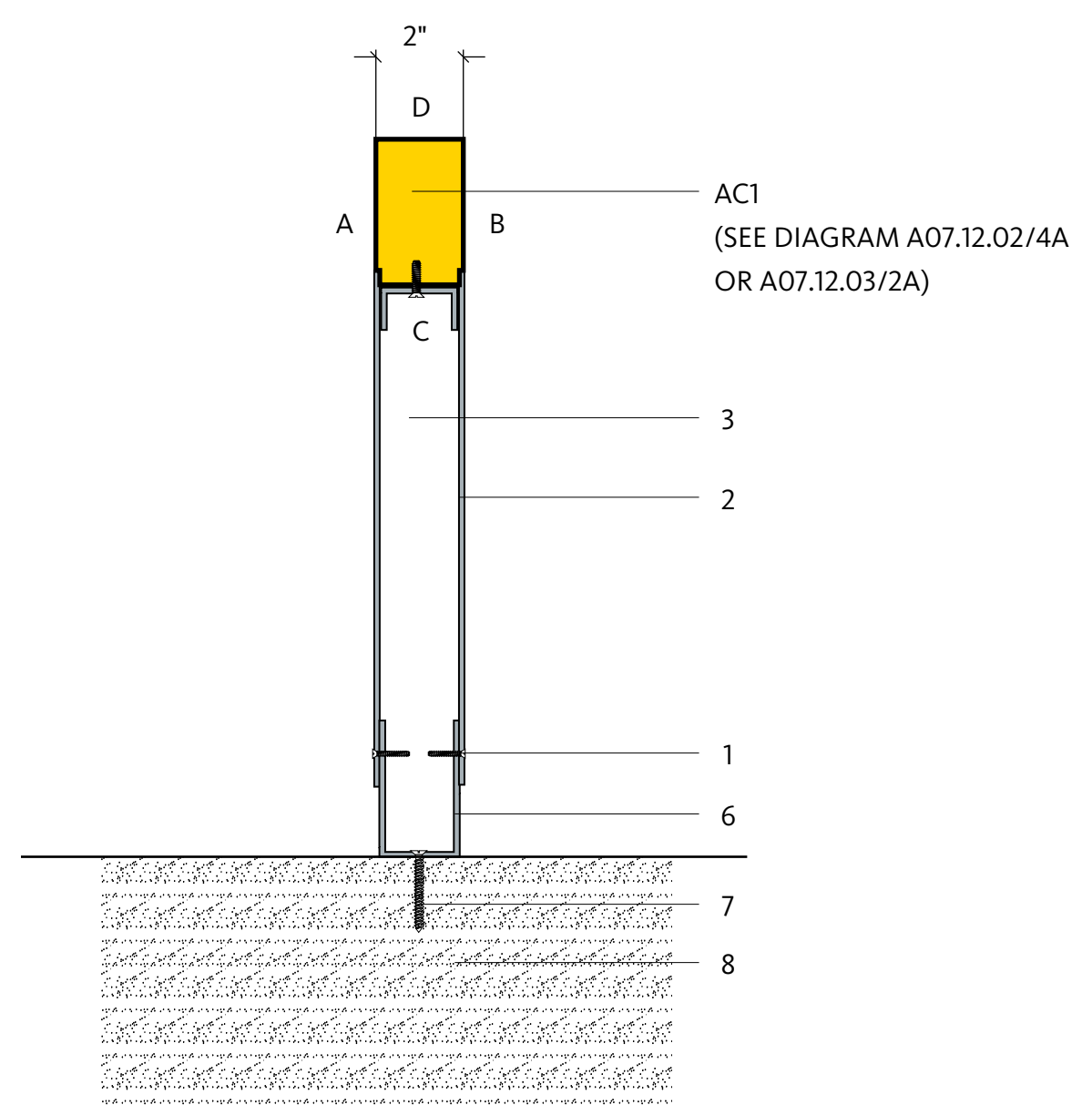


**A D.4 GATE ID (BLADE): ELEVATION**  
SCALE: 3/4" = 1'-0"

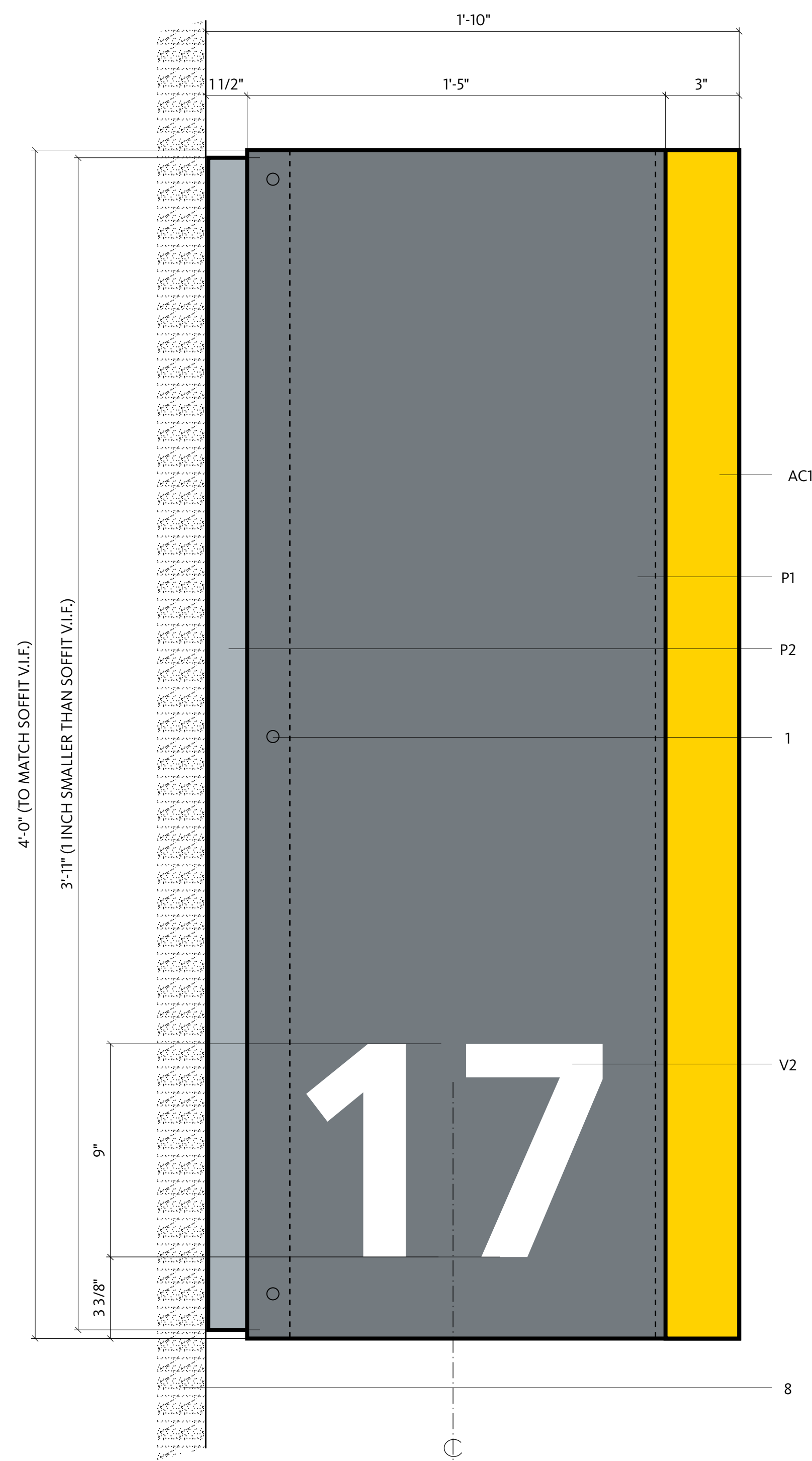
**1**



**A D.4 GATE ID (BLADE): PARTIAL DIAGRAM**  
SCALE: NOT TO SCALE

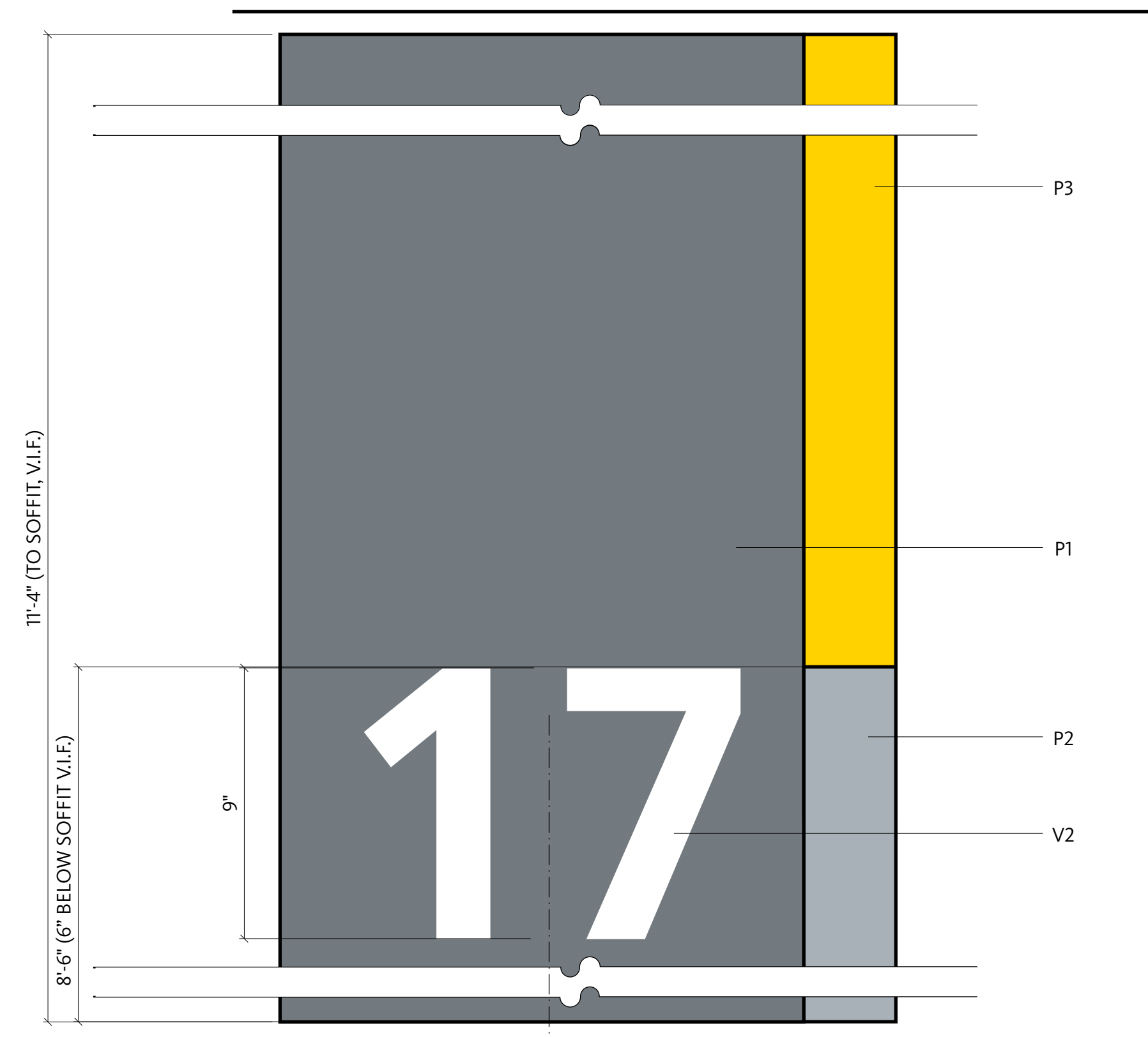


**B D.4 GATE ID (BLADE): SECTION**  
SCALE: 1:4

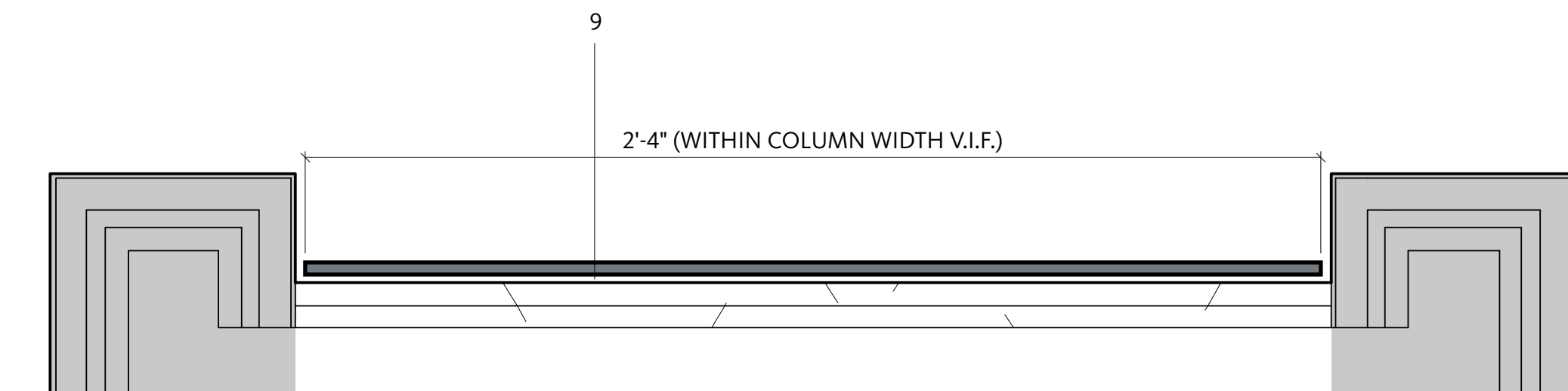


**C D.4 GATE ID (BLADE): DETAIL**  
SCALE: 1:4

**2**



**A D.5 GATE ID (PANEL): DETAIL**  
SCALE: 1:4



**B D.5 GATE ID (PANEL): SECTION**  
SCALE: 1:4

**3**

**GENERAL NOTES**

Issue	Date & Issue Description	By	Check
01	01/23/09 99% CONSTRUCTION DOCUMENTS	BR	CK
02	10/26/09 ISSUED FOR PERMIT	BR/SH	MJ/TO

Seal/Signature

Project Name  
PWM Terminal Enhancement

Project Number  
09-6395-000

Description  
SIGNAGE & WAYFINDING: ELEVATIONS, SECTIONS, DETAILS

Scale  
As Indicated

**A07.12.03**

© 2009 Gensler