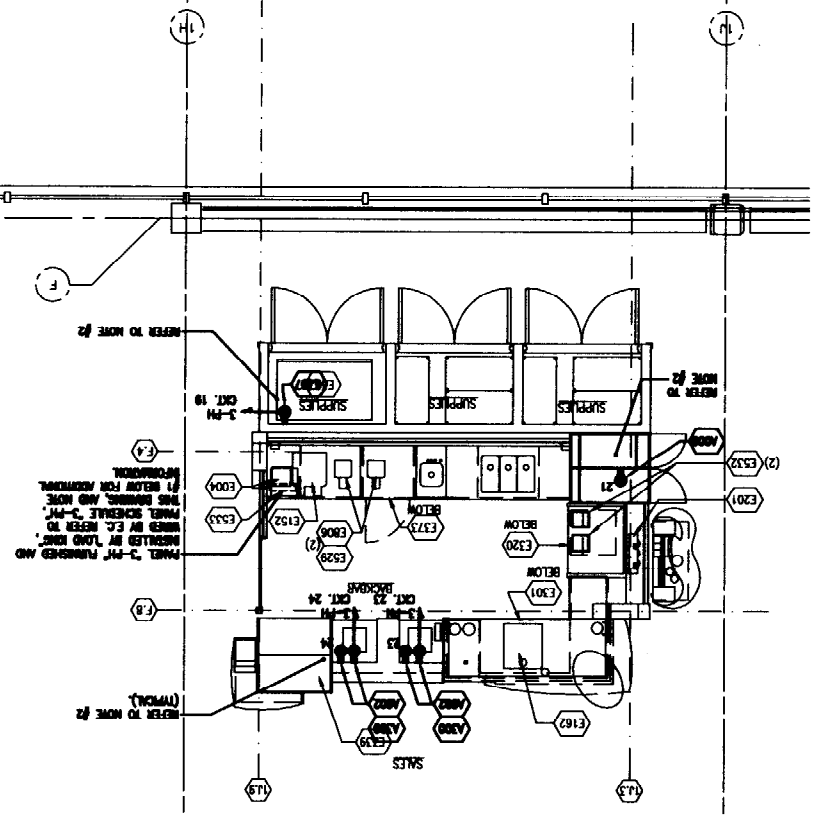
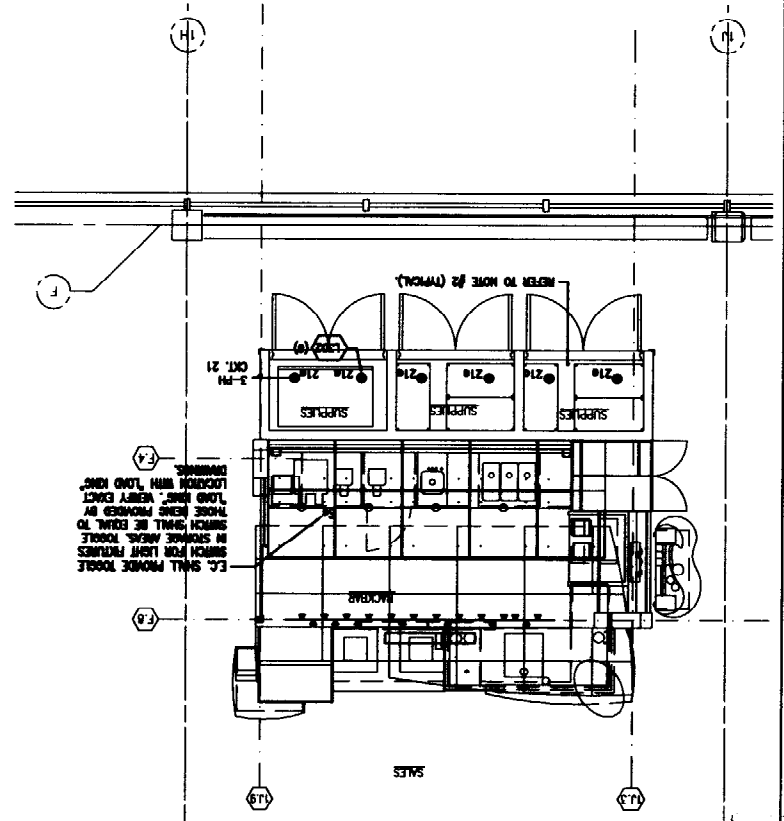


ELECTRICAL NOTES:
 1. UNLESS NOTED OTHERWISE, ALL ELECTRICAL DEVICES AND LIGHT FIXTURES WILL BE FINISHED AND INSTALLED BY LOW VOLTAGE CONTRACTORS.
 2. UNLESS NOTED OTHERWISE, ALL ELECTRICAL DEVICES AND LIGHT FIXTURES SHALL BE FINISHED AND INSTALLED BY LOW VOLTAGE CONTRACTORS.
 3. UNLESS NOTED OTHERWISE, ALL ELECTRICAL DEVICES AND LIGHT FIXTURES SHALL BE FINISHED AND INSTALLED BY LOW VOLTAGE CONTRACTORS.
 4. UNLESS NOTED OTHERWISE, ALL ELECTRICAL DEVICES AND LIGHT FIXTURES SHALL BE FINISHED AND INSTALLED BY LOW VOLTAGE CONTRACTORS.

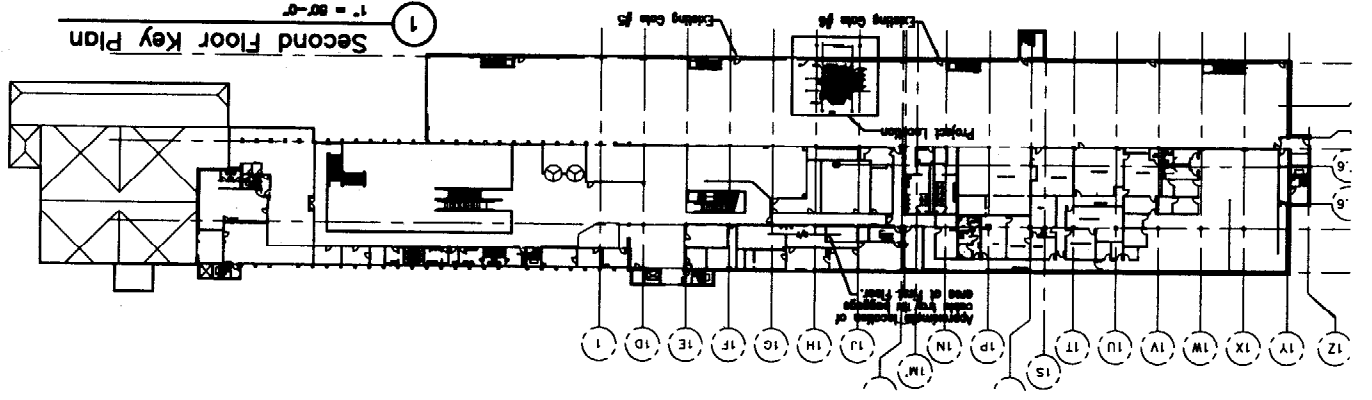
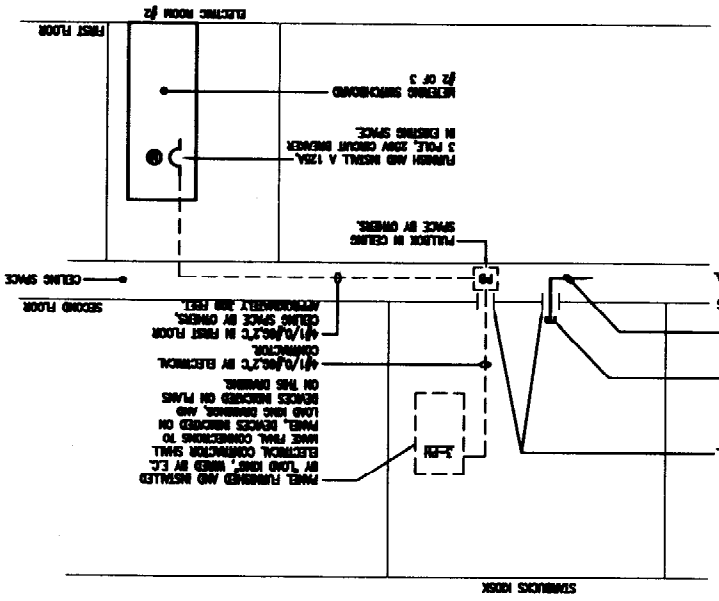
3 Electrical Power Construction Plan
 1/4"=1'-0"



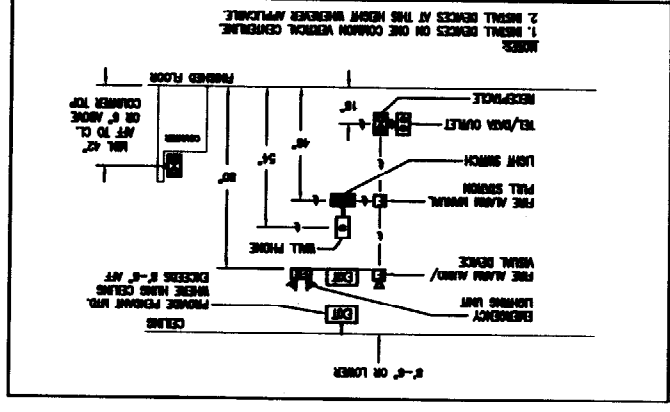
2 Electrical Lighting Construction Plan
 1/4"=1'-0"



4 Electrical Power Riser Diagram
 No Scale



DETAIL OF TYPICAL DEVICE MOUNTING HEIGHTS
 NTS



RECEPTACLES
 (MOUNTED 18" AFF OR AS NOTED)
 1. UNLESS NOTED OTHERWISE, ALL RECEPTACLES SHALL BE FINISHED AND INSTALLED BY LOW VOLTAGE CONTRACTORS.
 2. UNLESS NOTED OTHERWISE, ALL RECEPTACLES SHALL BE FINISHED AND INSTALLED BY LOW VOLTAGE CONTRACTORS.

LIGHTING FIXTURES
 1. UNLESS NOTED OTHERWISE, ALL LIGHTING FIXTURES SHALL BE FINISHED AND INSTALLED BY LOW VOLTAGE CONTRACTORS.
 2. UNLESS NOTED OTHERWISE, ALL LIGHTING FIXTURES SHALL BE FINISHED AND INSTALLED BY LOW VOLTAGE CONTRACTORS.

RACEWAYS AND WIRING
 1. UNLESS NOTED OTHERWISE, ALL RACEWAYS AND WIRING SHALL BE FINISHED AND INSTALLED BY LOW VOLTAGE CONTRACTORS.
 2. UNLESS NOTED OTHERWISE, ALL RACEWAYS AND WIRING SHALL BE FINISHED AND INSTALLED BY LOW VOLTAGE CONTRACTORS.

BRANCH CIRCUIT WIRING NOTES:
 1. WIRING IS SHOWN ON DRAWINGS ONLY FOR SPECIFIC PURPOSES OR SPECIAL CONDITIONS.
 2. WIRING AND CONDUIT SHALL BE FINISHED AND INSTALLED BY LOW VOLTAGE CONTRACTORS.
 3. ALL BRANCH CIRCUITS SHALL BE FINISHED AND INSTALLED BY LOW VOLTAGE CONTRACTORS.
 4. ALL BRANCH CIRCUITS SHALL BE FINISHED AND INSTALLED BY LOW VOLTAGE CONTRACTORS.
 5. ALL BRANCH CIRCUITS SHALL BE FINISHED AND INSTALLED BY LOW VOLTAGE CONTRACTORS.

PANEL SCHEDULE
 3-PH

NO.	DESCRIPTION	WIRING	WIRING	WIRING	WIRING	WIRING	WIRING	WIRING	WIRING
1	ICE MACHINE	20	1	20	1740	40	20	1740	40
2	REFRIGERATED FLOOR CASE	20	1	20	400	40	20	400	40
3	COFFEE GRINDER	20	1	20	1536	40	20	1536	40
4	COFFEE BREWER	20	1	20	3500	40	20	3500	40
5	ESPRESSO MACHINE	20	1	20	3000	40	20	3000	40
6	ESPRESSO MACHINE	20	1	20	3000	40	20	3000	40
7	TRUCK LIGHTS	20	1	20	665	40	20	665	40
8	TRUCK LIGHTS	20	1	20	3500	40	20	3500	40
9	TRUCK LIGHTS	20	1	20	483	40	20	483	40
10	TRUCK LIGHTS	20	1	20	3000	40	20	3000	40
11	LIGHTS	20	1	20	483	40	20	483	40
12	LIGHTS	20	1	20	1200	40	20	1200	40
13	BLENDER	20	1	20	1200	40	20	1200	40
14	BLENDER	20	1	20	1200	40	20	1200	40
15	WARRANTY	20	1	20	1200	40	20	1200	40
16	WARRANTY	20	1	20	1200	40	20	1200	40
17	WARRANTY	20	1	20	1200	40	20	1200	40
18	WARRANTY	20	1	20	1200	40	20	1200	40
19	WARRANTY	20	1	20	1200	40	20	1200	40
20	WARRANTY	20	1	20	1200	40	20	1200	40
21	WARRANTY	20	1	20	1200	40	20	1200	40
22	WARRANTY	20	1	20	1200	40	20	1200	40
23	WARRANTY	20	1	20	1200	40	20	1200	40
24	WARRANTY	20	1	20	1200	40	20	1200	40
25	WARRANTY	20	1	20	1200	40	20	1200	40
26	WARRANTY	20	1	20	1200	40	20	1200	40
27	WARRANTY	20	1	20	1200	40	20	1200	40
28	WARRANTY	20	1	20	1200	40	20	1200	40
29	WARRANTY	20	1	20	1200	40	20	1200	40
30	WARRANTY	20	1	20	1200	40	20	1200	40
31	WARRANTY	20	1	20	1200	40	20	1200	40
32	WARRANTY	20	1	20	1200	40	20	1200	40
33	WARRANTY	20	1	20	1200	40	20	1200	40
34	WARRANTY	20	1	20	1200	40	20	1200	40

E1.1

Electrical

Issued: 08-27-03

Scale: As noted

Job No.: 03413

LOYD ARCHITECTS
 700 High Street, Plymouth, MA 02150
 TEL: (508) 745-4455
 FAX: (508) 746-1135
 E-MAIL: info@loydarch.com



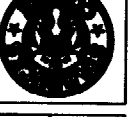
Building Contractors
 28 Main Street, 8th Fl
 North Dartmouth, MA 02746
 Tel: (508) 220-0260
 Fax: (508) 220-0260
 Email: info@buildingcontractors.com

HMS Host
 6000 Rockledge Drive
 Bethesda, MD 20817
 Tel: (202) 694-4175
 Fax: (202) 694-4175
 Email: hms@hms-host.com



Starbucks Coffee
 Portland International
 Airport
 Portland, ME

Starbucks Coffee Company
 1000 Broadway, Seattle, WA 98109
 Tel: (206) 426-7171
 Fax: (206) 426-7171
 Email: info@starbucks.com



Item	Date

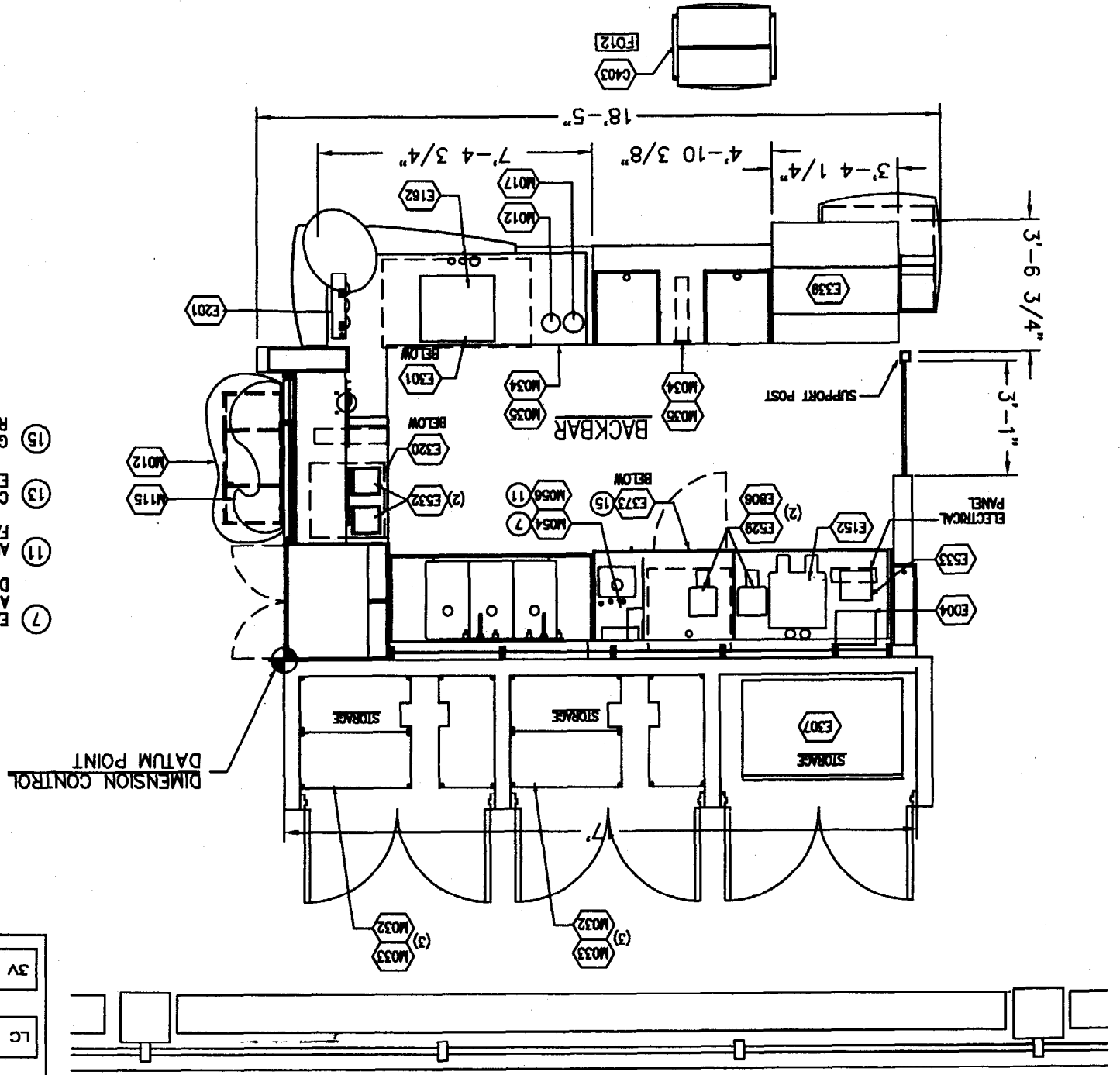
LOAD KING
 2000 P.O. BOX 40808 1357 WEAVER ST. JACKSONVILLE, FL 32203
 PART NO. 1117379

PORTLAND INT'L AIRPORT
 KIOSK, MU-1117-3/RH, VENEER, CRAFT
 DOCUMENT NO. 1117379
 REV. 0

MANUFACTURED EXCLUSIVELY FOR STARBUCKS UNDER AGREEMENT

ALL INFORMATION CONTAINED IN OR DISCLOSED BY THIS DOCUMENT IS CONSIDERED CONFIDENTIAL AND PROPRIETARY BY LOAD KING MFG. COMPANY. ALL DESIGN, MANUFACTURING, USE, REPRODUCTION, AND SALES RIGHTS ARE EXPRESSLY RESERVED BY AND TO LOAD KING MFG. COMPANY AND COMMUNICATION OF THIS INFORMATION TO OTHERS IS PROHIBITED WITHOUT THE PRIOR WRITTEN CONSENT OF LOAD KING MFG. COMPANY.

COMPOSITE PLAN



- ⑦ EACH HANDWASHING SINK WILL HAVE A SINGLE SERVICE TOWEL AND SOAP DISPENSER.
- ⑪ ALL HAND SINKS TO HAVE A COMBINATION FAUCET OR PREMIXING FAUCET.
- ⑬ CONTRACTOR TO SUPPLY AND PLACE FIRE EXTINGUISHER PER FIRE INSPECTOR.
- ⑮ GC TO REVERSE DOOR HINGE ON UNDERCOUNTER REFRIGERATOR TO LEFT-HAND SWING, AS SHOWN.

SCHEDULE KEY (RESPONSIBILITIES):

GC	PROVIDED BY GENERAL CONTRACTOR.
SB	PROVIDED BY LOAD KING.
LC	INSTALLED BY LICENSEE.
3V	PROVIDED BY LOAD KING.

ITEM#	QTY	DESCRIPTION	RESP.
M012	2	CONDIMENT TRASH DROP	3V
M017	1	MOCHA PUMP CONTAINER	3V
M032	6	SHELVES BACKROOM 18"x36" 5/BOX	SB
M033	6	POSTS BACKROOM 7" ZINC 4/BOX	SB
M034	5	24 OZ. CUP HOLDER	3V
M035	2	12 OZ. CUP HOLDER	3V
M043	1	FIRE EXTINGUISHER	GC
M054	1	SOAP DISPENSER LAVATORY MNTD	3V
M056	1	FULL PAPER TOWEL DISPENSER	LC
M089	1	METAL CORNER GUARDS	3V
M115	1	CONDIMENT BAR TOP ASSEMBLY	3V

ITEM#	QTY	DESCRIPTION	RESP.
M012	2	CONDIMENT TRASH DROP	3V
M017	1	MOCHA PUMP CONTAINER	3V
M032	6	SHELVES BACKROOM 18"x36" 5/BOX	SB
M033	6	POSTS BACKROOM 7" ZINC 4/BOX	SB
M034	5	24 OZ. CUP HOLDER	3V
M035	2	12 OZ. CUP HOLDER	3V
M043	1	FIRE EXTINGUISHER	GC
M054	1	SOAP DISPENSER LAVATORY MNTD	3V
M056	1	FULL PAPER TOWEL DISPENSER	LC
M089	1	METAL CORNER GUARDS	3V
M115	1	CONDIMENT BAR TOP ASSEMBLY	3V

ITEM#	QTY	DESCRIPTION	RESP.
A001	1	PHONE - 1 LINE SYSTEM	LC
A009	1	MUSIC SYSTEM - PLAY 4.0	SB
A300	2	POS REGISTER - STANDARD	LC

ITEM#	QTY	DESCRIPTION	RESP.
A602	4	POS BANK	LC
A606	2	INDOOR/OUTDOOR SPEAKER	SB

ITEM#	QTY	DESCRIPTION	RESP.
E004	1	GRINDER - COFFEE	3V
E152	1	BREWER - TWIN COLUMBIA	3V
E162	1	ESPR. MACH. VERISMO CTS2 40A	3V

ITEM#	QTY	DESCRIPTION	RESP.
E301	1	UNDERCOUNTER REFRIG	3V
E307	1	REACH IN REFRIGERATOR	SB
E320	1	ICE MACHINE (AIR - 200 LBS)	3V
E339	1	FOOD CASE B -STORE W/ INSERT	3V
E373	1	UNDERCOUNTER REFRIG	3V

ITEM#	QTY	DESCRIPTION	RESP.
E528	2	COFFEE WARMER PAD	3V
E532	2	BLENDER	3V
E533	1	SCALE W/ TOWER READOUT	3V

ITEM#	QTY	DESCRIPTION	RESP.
E806	2	COFFEE SHUTTLE	3V


ITEM#	QTY	DESCRIPTION	RESP.
C410	1	CONDIMENT STAND	3V
C403	1	ETAGERE	3V

NO.	E.C.N. NO.	REVISION	DATE:	BY:

PROPRIETARY INFORMATION
DO NOT DUPLICATE
ALL RIGHTS RESERVED
DIMENSIONS ARE IN INCHES
TOLERANCES UNLESS NOTED
FRAC. TOL. ± 1/32
DEC. TOL. ± .01
ANGULAR TOL. ± .5°
DO NOT SCALE DRAWING

0	REV.	DOCUMENT NO. 1117379A	SCALE: 1/4"=1'	DATE: 8/12/03	DRN. BY: AC	SIZE: B
		SHT: 2 of 7				
		PART NO. 1117379				

LOAD KING
2000
P.O. BOX 40808 1357 WEAVER ST. JACKSONVILLE, FL 32203

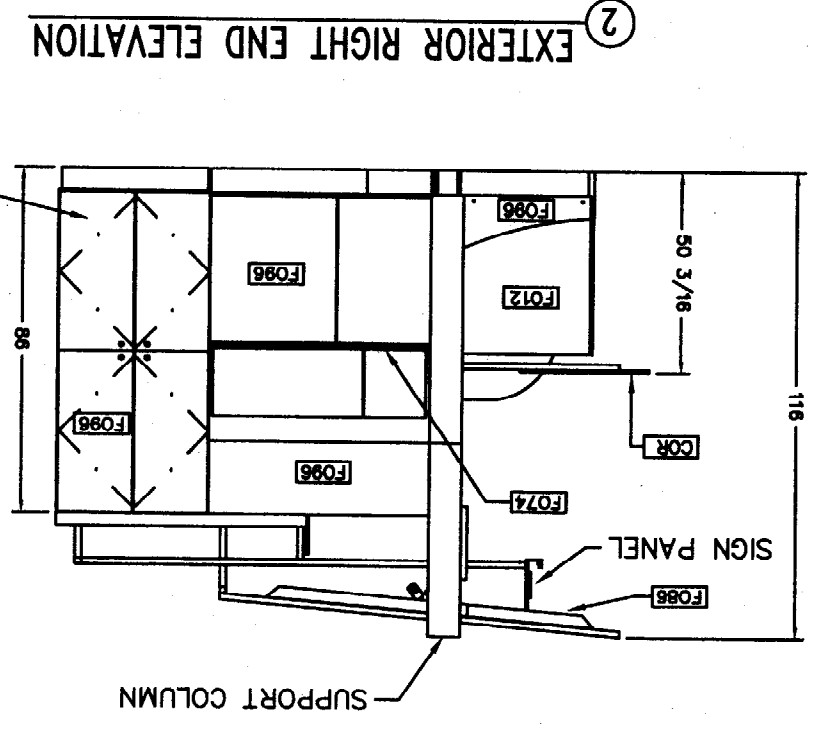
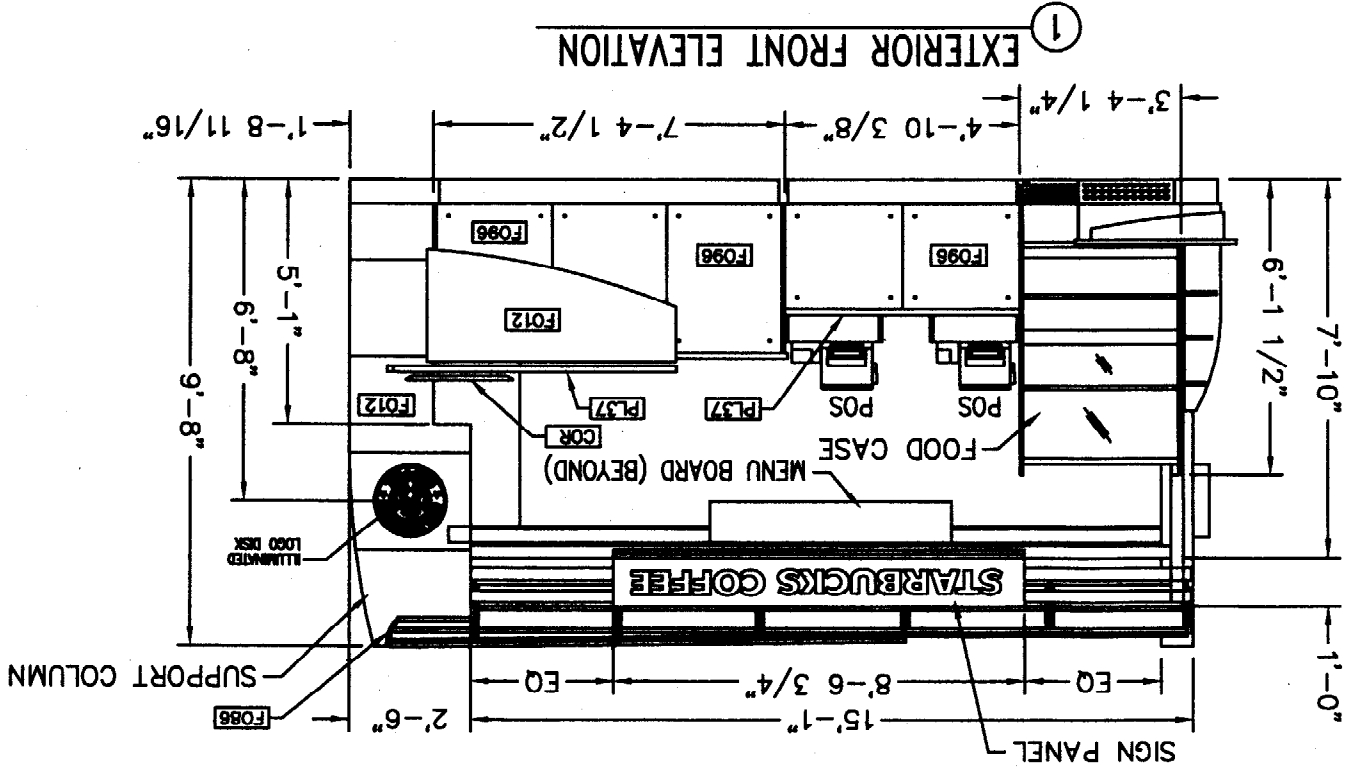
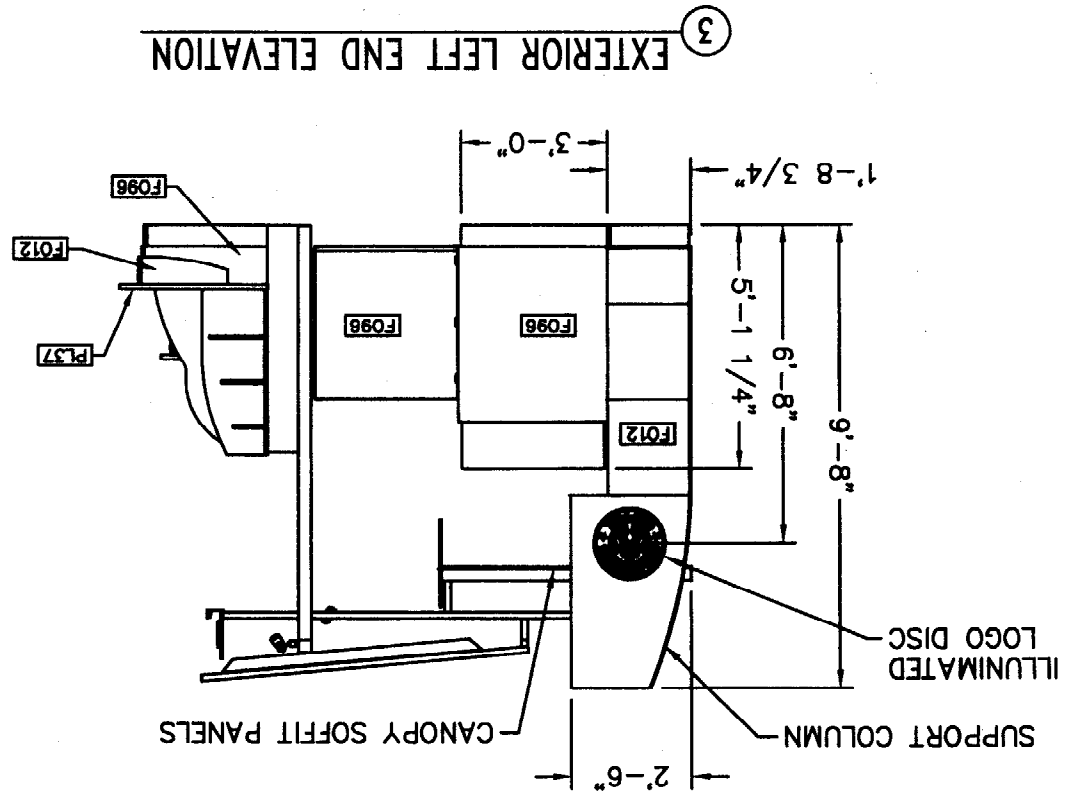


FOR STARBUCKS UNDER
MANUFACTURED EXCLUSIVELY
AGREEMENT

ALL INFORMATION CONTAINED IN OR DISCLOSED BY THIS DOCUMENT IS CONSIDERED CONFIDENTIAL AND PROPRIETARY BY LOAD KING MFG. COMPANY. ALL DESIGN, MANUFACTURING, USE, REPRODUCTION, AND ALL SALES RIGHTS, ARE EXPRESSLY RESERVED BY AND TO LOAD KING MFG. COMPANY AND COMMUNICATION OF THIS INFORMATION TO OTHERS IS PROHIBITED WITHOUT THE PRIOR WRITTEN CONSENT OF LOAD KING MFG. COMPANY.

SCHEDULE KEY (RESPONSIBILITIES):

3V	PROVIDED BY LOAD KING, INSTALLED BY LOAD KING.
LC	PROVIDED BY LICENSEE, INSTALLED BY GENERAL CONTRACTOR
SB	PROVIDED BY LOAD KING, INSTALLED BY GENERAL CONTRACTOR
GC	PROVIDED BY GENERAL CONTRACTOR, INSTALLED BY GENERAL CONTRACTOR




MATERIAL / FINISH CODES

F012	STAIN "NATURAL" ON MAPLE W/CONVERSION VARNISH TOP COAT
F098	STAIN "LIGHT CHERRY" ON MAPLE W/CONVERSION VARNISH TOP COAT
F074	STAIN "NATURAL CHERRY" ON MAPLE W/CONVERSION VARNISH TOP COAT
PC118	CARAMEL CREPE PAINT111-S
PC127	"PAINTED DESERT" NV/PDN-003
C1	STAINLESS STEEL
F086	POWDERCOAT "BRONZE" CARDINAL P004-BR23
COR	CORIAN "COCOA BROWN"

NO. E.C.N. NO.	REVISION	DATE:	BY:	PROPRIETARY INFORMATION DO NOT DUPLICATE ALL RIGHTS RESERVED DIMENSIONS ARE IN INCHES TOLERANCES UNLESS NOTED FRAC. TOL. ± 1/32 DEC. TOL. ± .01 ANGULAR TOL. ± .5° DO NOT SCALE DRAWING
		8/12/03	B	
		DATE: 8/12/03	DRN. BY: AC	SIZE: B
		SCALE: 1/4"=1'		
		48		
		DOCUMENT NO. 1117379C		
		REV. 0		

ALL INFORMATION CONTAINED IN OR DISCLOSED BY THIS DOCUMENT IS CONSIDERED CONFIDENTIAL AND PROPRIETARY BY LOAD KING MFG. COMPANY. ALL DESIGN, MANUFACTURING, USE, REPRODUCTION, AND ALL SALES RIGHTS ARE EXPRESSLY RESERVED BY AND TO LOAD KING MFG. COMPANY AND COMMUNICATION OF THIS INFORMATION TO OTHERS IS PROHIBITED WITHOUT THE PRIOR WRITTEN CONSENT OF LOAD KING MFG. COMPANY.

MANUFACTURED EXCLUSIVELY FOR STARBUCKS UNDER AGREEMENT



P.O. BOX 40608 1357 W. BEAVER ST. JACKSONVILLE, FL 32203
LOAD KING 2000

PART NO. 1117379
 SHT: 4 of 7

REV. 0

ITEM#	QTY	DESCRIPTION	RESP.
G901	1	POSTER FRAME - WALL MTD	SB

ACCESSORIES

ITEM#	QTY	DESCRIPTION	RESP.

GRAPHICS SCHEDULE:

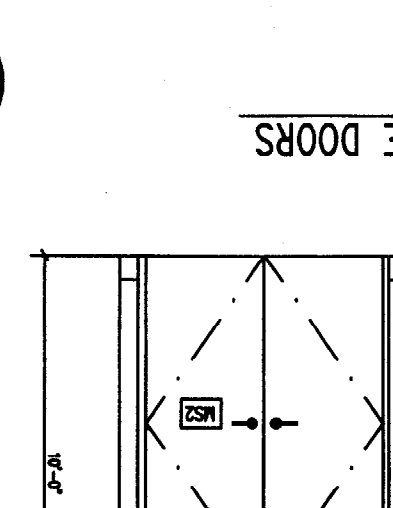
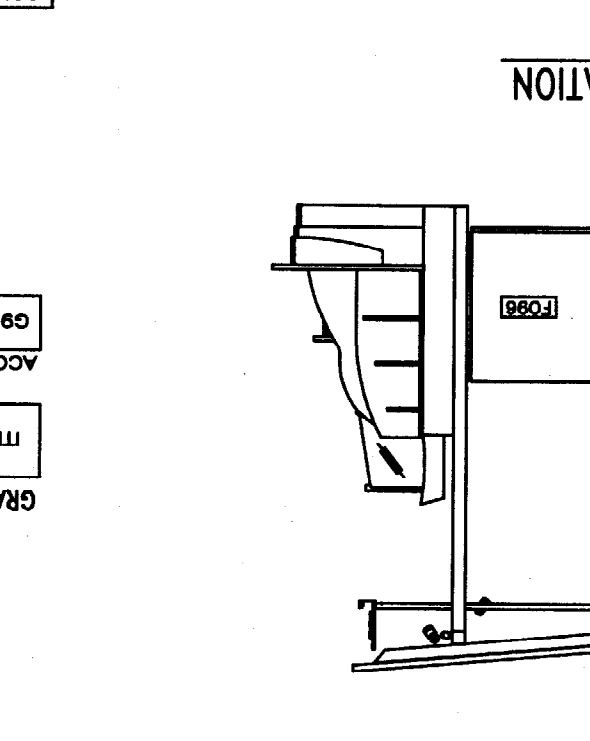
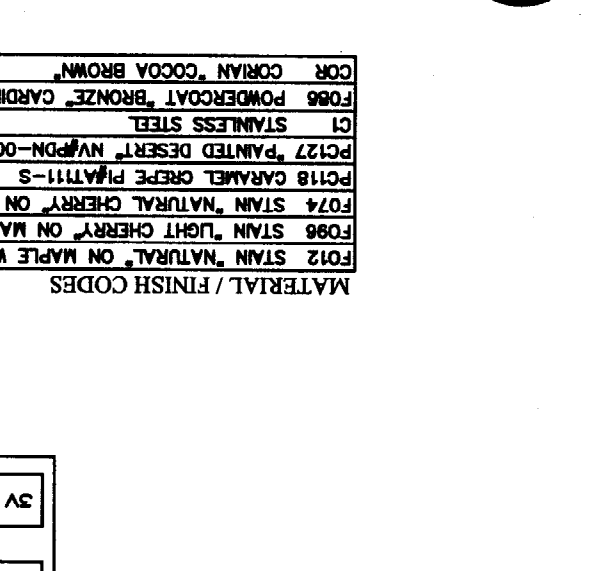
SCHEDULE KEY (RESPONSIBILITIES):

GC	PROVIDED BY GENERAL CONTRACTOR, INSTALLED BY GENERAL CONTRACTOR.
SB	PROVIDED BY LOAD KING, INSTALLED BY GENERAL CONTRACTOR.
LC	PROVIDED BY LICENSEE, INSTALLED BY GENERAL CONTRACTOR.
SV	PROVIDED BY LOAD KING, INSTALLED BY LOAD KING.

MATERIAL / FINISH CODES

F012	STAIN "NATURAL" ON MAPLE W/CONVERSION VARNISH TOP COAT
F066	STAIN "LIGHT CHERRY" ON MAPLE W/CONVERSION VARNISH TOP COAT
F074	STAIN "NATURAL CHERRY" ON MAPLE W/CONVERSION VARNISH TOP COAT
PC118	CARAMEL CREPE PIATT11-S
PC127	"PAINTED DESERT" NVPDN-003
C1	STAINLESS STEEL
F066	POWDERCOAT "BRONZE" CARDINAL P004-BR23
COR	CORIAN "COCOA BROWN"

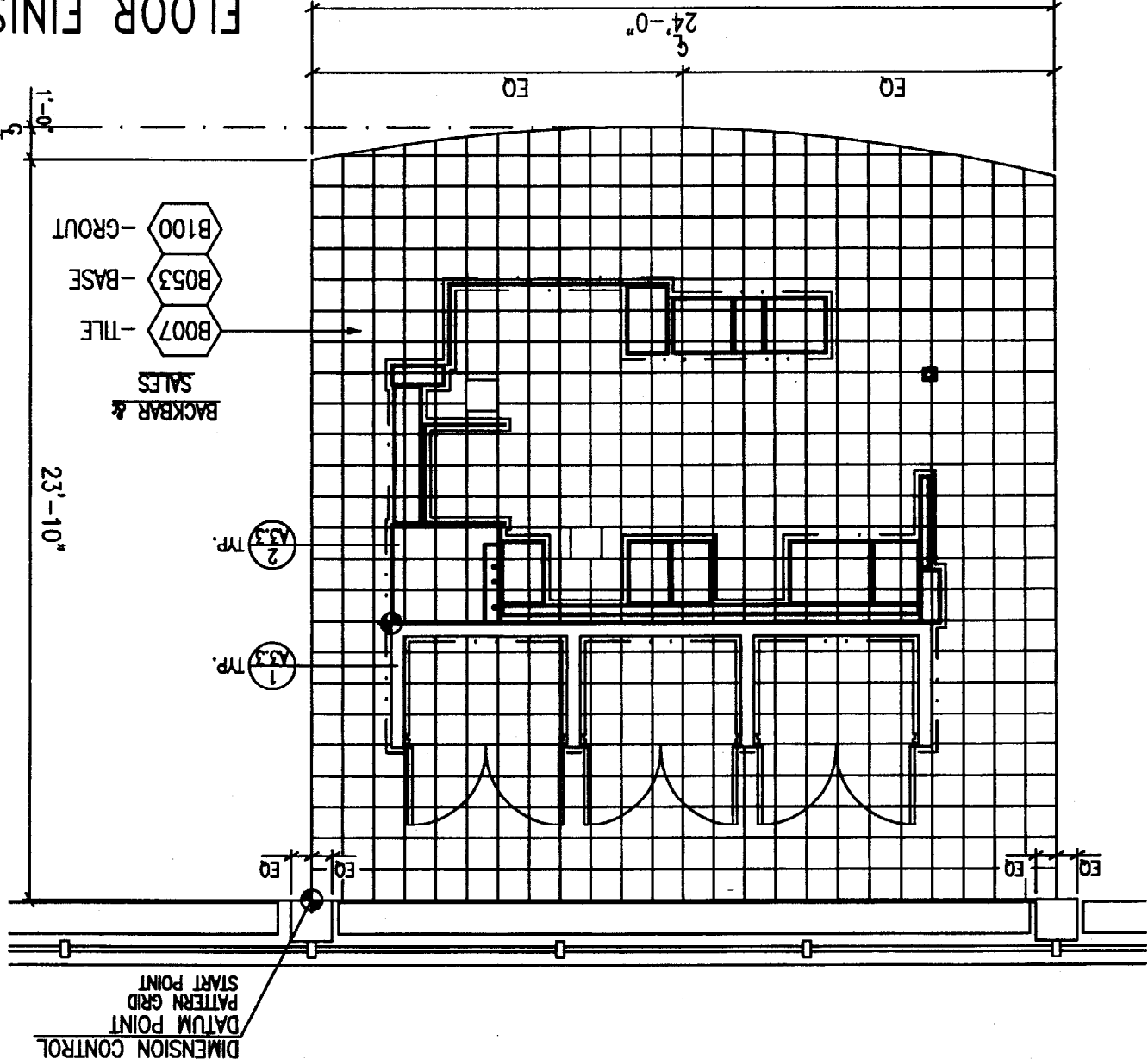
9 ELEVATION @ STORAGE DOORS



DO NOT DUPLICATE
 ALL RIGHTS RESERVED
 DIMENSIONS ARE IN INCHES
 TOLERANCES UNLESS NOTED
 FRAC. TOL. ± 1/32
 DEC. TOL. ± .01
 ANGULAR TOL. ± .5°
 DO NOT SCALE DRAWING

FLOOR FINISH KEY	ITEM #	QTY	DESCRIPTION	MANUFACTURER	MODEL #	REMARKS	SKU #	RESP.
	B007	45	TILE AROMAS ABU SIMBEL 12X12	PASTORELLI CERAMICHE	TECNOSTONE, ABU SIMBEL, 15 TILES)		179268	SB
	B053	10	TILE NERO BASE	PASTORELLI CERAMICHE	TRADIZIONAL E, NERO 24 TILES)		179251	SB
	B100	0	GROUT - BROWN	MAPEI	#07 CHOCOLATE	AVAILABLE IF NEEDED		GC

FLOOR COVERINGS SCHEDULE:



FLOOR FINISH PLAN

NO.	E.C.N. NO.	REVISION	DATE:	BY:

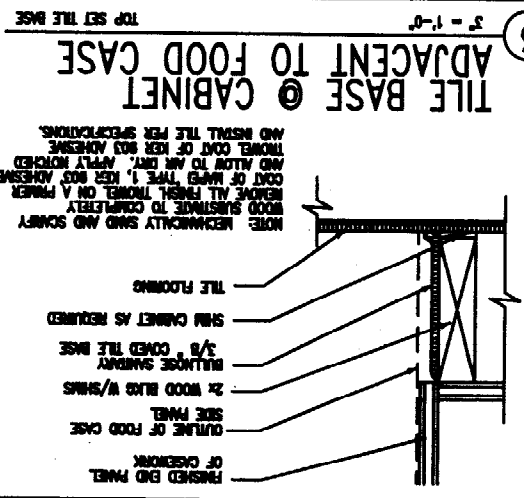
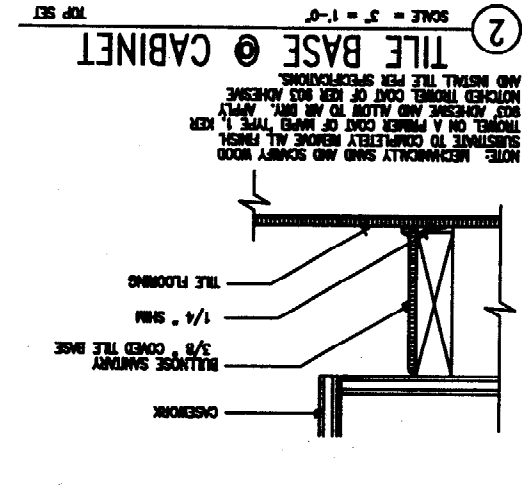
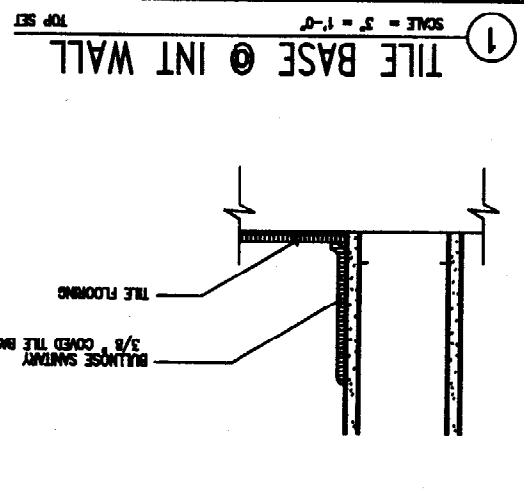
PROPRIETARY INFORMATION
DO NOT DUPLICATE
ALL RIGHTS RESERVED
DIMENSIONS ARE IN INCHES
TOLERANCES UNLESS NOTED
FRAC. TOL. ± 1/32
DEC. TOL. ± .01
ANGULAR TOL. ± .5
DO NOT SCALE DRAWING

SCHEDULE KEY (RESPONSIBILITIES):

GC	PROVIDED BY GENERAL CONTRACTOR
SB	PROVIDED BY LOAD KING
LC	PROVIDED BY LICENSED CONTRACTOR
3V	PROVIDED BY LOAD KING

- FLOOR FINISH NOTES
- THIRD PARTY VENDOR TO SUPPLY ALL FLOOR TILE AND TILE BASE. GC TO INSTALL. GC TO SUPPLY AND INSTALL MORTAR, ADHESIVE AND GROUT. GC TO INSPECT ALL TILES AND REJECT DAMAGED OR SUBSTANDARD TILES PRIOR TO INSTALLATION.
 - CABINET BASES TO BE SET AFTER TILE INSTALLATION.
 - PROVIDE GROUT JOINT OF 3/16" MAXIMUM DEVIATION OF TILE AND GROUT LINE OF 1/4" PER 4'.
 - FOR ALL TILE BASE INSTALLATIONS AT CASERWORK MECHANICALLY SAND AND SCARIFY WOOD SUBSTRATE TO COMPLETELY REMOVE ALL FINISH. TROWEL ON A PRIMER AND COAT OF MAPEI TYP 1, KER 903 ADHESIVE AND ALLOW TO AIR DRY. APPLY NOTCHED TROWEL COAT OF KER 903 ADHESIVE AND INSTALL TILE PER SPECIFICATIONS.
 - ALL TILE TO BE INSTALLED PER TILE COUNCIL OF AMERICA STANDARDS.
 - CORNERS AND EDGES OF BASE TO BE BULLNOSE. NO OUTSIDE GROUT CORNERS OR RAW TILE EDGES ARE ALLOWED.
 - TILE BASE AND THRESHOLD GROUT JOINTS TO ALIGN WITH THE FLOOR GROUT JOINTS.
 - REMOVAL OF EXCESS GROUT WILL BE DONE WITH WATER. THE USE OF SULFURIC OR MURATIC ACID IS PROHIBITED. IF THESE ACIDS ARE USED, THE INSTALLER WILL BE REQUIRED TO REMOVE THE ACID AND RESTORE THE GROUT AT THEIR EXPENSE.
 - ALL WALLS AND CASERWORK OUTLINES/TOKICK RECEIVE BASE AS NOTED.
 - CONSULTING ARCHITECT TO PROVIDE INFORMATION FOR FLOORING AT VESTIBULE.

MANUFACTURED EXCLUSIVELY FOR STARBUCKS UNDER AGREEMENT



LOAD KING

P.O. BOX 40808 1357 WEAVER ST. JACKSONVILLE, FL 32203

© 2000

1117379

PART NO.

1117379

REV. 0

DOCUMENT NO. 1117379D

SCALE: 3/16" = 1'

DATE: 8/12/03

DRN. BY: AC

SIZE: B

KIOSK, MU-1117-3/RH, VENEER, CRAFT

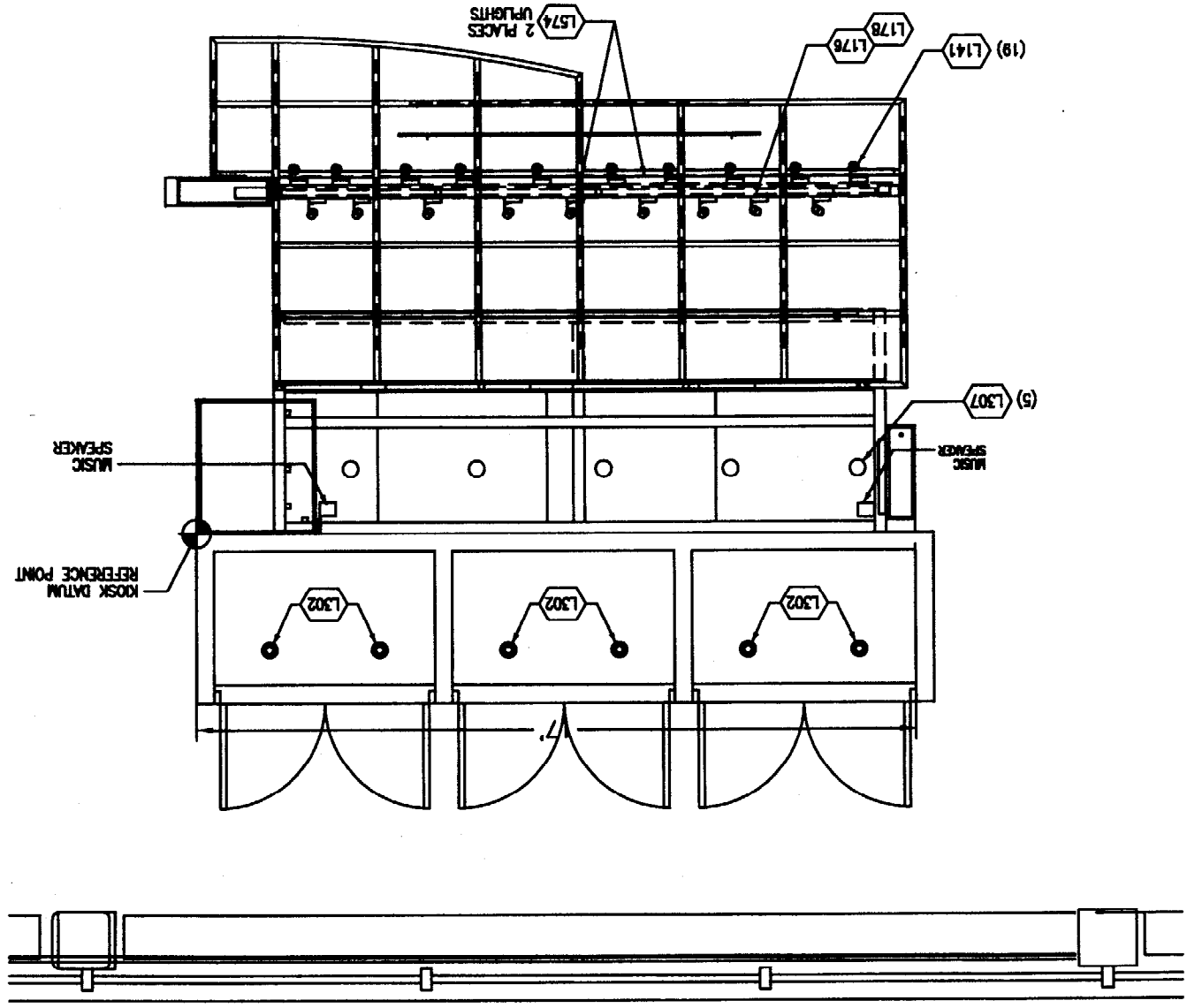
SHT: 5 of 7

CONSENT OF LOAD KING MFG. COMPANY. ALL INFORMATION CONTAINED IN OR DISCLOSED BY THIS DOCUMENT IS CONSIDERED CONFIDENTIAL AND PROPRIETARY BY LOAD KING MFG. COMPANY. ALL DESIGN, MANUFACTURING, USE, REPRODUCTION, AND ALL SALES RIGHTS, ARE EXPRESSLY RESERVED BY AND TO LOAD KING MFG. COMPANY AND COMMUNICATION OF THIS INFORMATION TO OTHERS IS PROHIBITED WITHOUT THE PRIOR WRITTEN CONSENT OF LOAD KING MFG. COMPANY.

NO. E.C.N. NO.	REVISION	DATE:	BY:	DO NOT SCALE DRAWING ANGULAR TOL. ± .5° DEC. TOL. ± .01 FRAC. TOL. ± 1/32 TOLERANCES UNLESS NOTED DIMENSIONS ARE IN INCHES ALL RIGHTS RESERVED DO NOT DUPLICATE PROPRIETARY INFORMATION	SIZE: B DRN. BY: AC DATE: 8/12/03 SCALE: 1/4"=1'	48	1117379E DOCUMENT NO.	0
							1117379 PART NO.	REV.
							1117379 SHT: 6 of 7	
							LOAD KING P.O. BOX 40606 1357 W. BEAVER ST. JACKSONVILLE, FL 32203 2000	
							KIOSK, MU-1117-3/RH, VENEER, CRAFT	

ALL INFORMATION CONTAINED IN OR DISCLOSED BY THIS DOCUMENT IS CONSIDERED CONFIDENTIAL AND PROPRIETARY BY LOAD KING MFG. COMPANY. ALL DESIGN, MANUFACTURING, USE, REPRODUCTION, AND ALL SALES RIGHTS, ARE EXPRESSLY RESERVED BY AND TO LOAD KING MFG. COMPANY AND COMMUNICATION OF THIS INFORMATION TO OTHERS IS PROHIBITED WITHOUT THE PRIOR WRITTEN CONSENT OF LOAD KING MFG. COMPANY.

KIOSK LIGHTING PLAN



LIGHTING SCHEDULE:

ITEM #	QTY	DESCRIPTION	MANUFACTURER	MODEL #	VOLTS	WATTS	AMPS	REMARKS	SKU #	RESP.
L141	18	TRACK FIXTURE, SMALL BLACK	JUNO		120				121355	3V
L178	2	TRACK BLACK 8"	JUNO	R8BL	120				120866	3V
L178	2	TRACK BLACK 4"	JUNO	R4BL	120				120865	3V
L141	18	SOCKET EXTENDER	LEVTON	2005					133037	SB
L915	4	50 PAR 20 LAMP	SYLVANIA	50 PAR 20 CAP/NFL	120	50			118708	3V
L917	18	35 PAR 20 LAMP	SYLVANIA	35PAR20/CAP/NFL						3V
L841	6	5" INCAN RECESS ROUGH-IN	LTHONIA	LPJ					118878	SB
L842	6	5" RECESSED TRIM	LTHONIA	J01A					121107	SB
L848	6	DULUX 15W COMP FLUOR LAMP	SYLVANIA #28288	CF15ELR3083 OMRD 120V	120	15				SB
L574	2	FLUORESCENT DBL STRIP 48"	LTHONIA	C232-0EB	120	84				3V

ACCESSORIES:

L302	6	5" RECD DOWNLIGHT	W/ EXTENDER							SB
L307	5	3-1/2" INCAN RECD	LTHONIA	LTR W/ 302A TRIM						3V

INCANDESCENT FIXTURES:

L302	6	5" RECD DOWNLIGHT	W/ EXTENDER							SB

TRACK & TRACK FIXTURES:

L141	18	TRACK FIXTURE, SMALL BLACK	JUNO		120				121355	3V
L178	2	TRACK BLACK 8"	JUNO	R8BL	120				120866	3V
L178	2	TRACK BLACK 4"	JUNO	R4BL	120				120865	3V

FLUORESCENT FIXTURES:

L574	2	FLUORESCENT DBL STRIP 48"	LTHONIA	C232-0EB	120	84				3V
------	---	---------------------------	---------	----------	-----	----	--	--	--	----

LIGHTING PLAN GENERAL NOTES:

(A) NUMERICAL NOTES (BELOW) NOT LISTED ARE NOT USED.

(B) FOR FULL SCHEDULE, LOADS, & COMPLETE LISTING SEE SHEET SC1.

(C) ELECTRICAL CONTRACTOR RESPONSIBLE FOR SITE INVESTIGATION PRIOR TO START OF WORK TO REVEAL FULL SCOPE OF WORK.

(D) DIMENSIONS ARE TO FINISH FACE UNLESS OTHERWISE NOTED.

(E) REFER TO KIOSK SHOP DRAWINGS FOR EXACT FIXTURE LOCATIONS.

(F) TIMING DEVICE FOR EXTERIOR SIGNAGE TO BE LOCATED ADJACENT TO ELECTRICAL PANEL, SET TIMING DEVICE IS ON AT 5:00 AM AND OFF AT 1:00 AM ON A 24HR/DAY LOCK ON CIRCUIT. THE TIMING DEVICE SHALL BE TORK SERIES Z, #Z7200.

(G) ALL LAMPS AND LIGHT FIXTURES TO BE SUPPLIED BY STARBUCKS UNLESS NOTED OTHERWISE. CONTACT THE STARBUCKS CONSTRUCTION MANAGER FOR THE LIGHTING SUPPLIER CONTACT.

SCHEDULE KEY (RESPONSIBILITIES):

GC	PROVIDED BY GENERAL CONTRACTOR, INSTALLED BY GENERAL CONTRACTOR
SB	PROVIDED BY LOAD KING, INSTALLED BY GENERAL CONTRACTOR
LC	PROVIDED BY LICENSEE, INSTALLED BY GENERAL CONTRACTOR
3V	PROVIDED BY LOAD KING, INSTALLED BY LOAD KING

ITEM	QTY.	PART #	DOC #	DESCRIPTION
1	1	3395552	3395552	CABINET ASSY
2	1	3395553	3395553	SINK TOP ASSY
3	1	3393931	3393931	DRAIN ASSEMBLY
4	3	3320736	3320736	LAMINATE, CARAMEL CREPE
5	2	3319360	3319360	SHELF
6	1	1005848	-	LABEL, NSF, L.K. MODEL NO. 13/16X4-3/8
7	1	1352401	-	LABEL, L.K. MODEL NO. 13/16X4-3/8, CSA
8	1	1352274	-	LABEL, CLEANING INSTRUCTIONS, S/S

CONSTRUCTION NOTES:

SINK TOP:
16GA, TYPE 304, S/S, #3 POLISH FORMED
MARINE EDGE ON FRONT AND SIDES
WITH AN 8" BACKSPLASH.

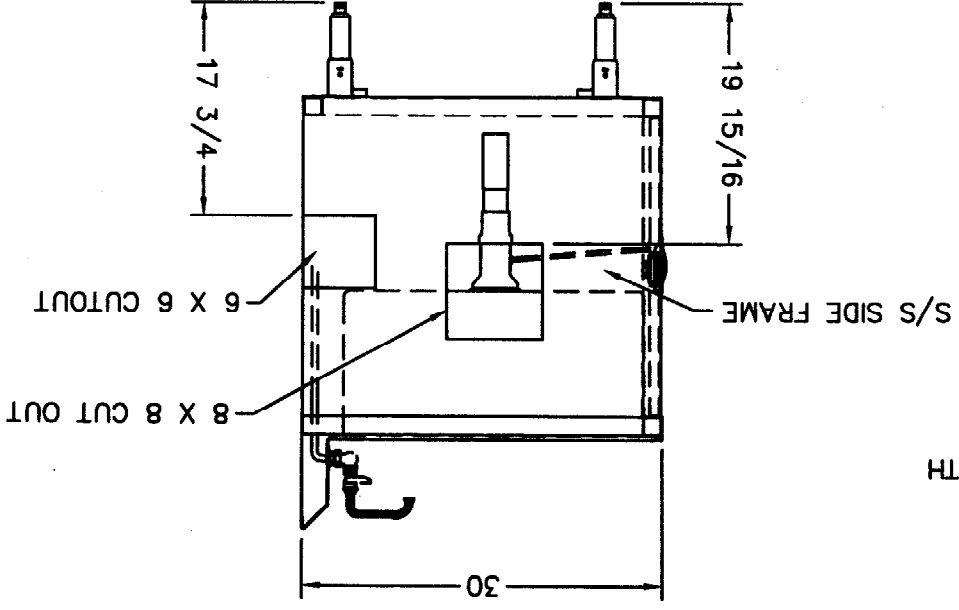
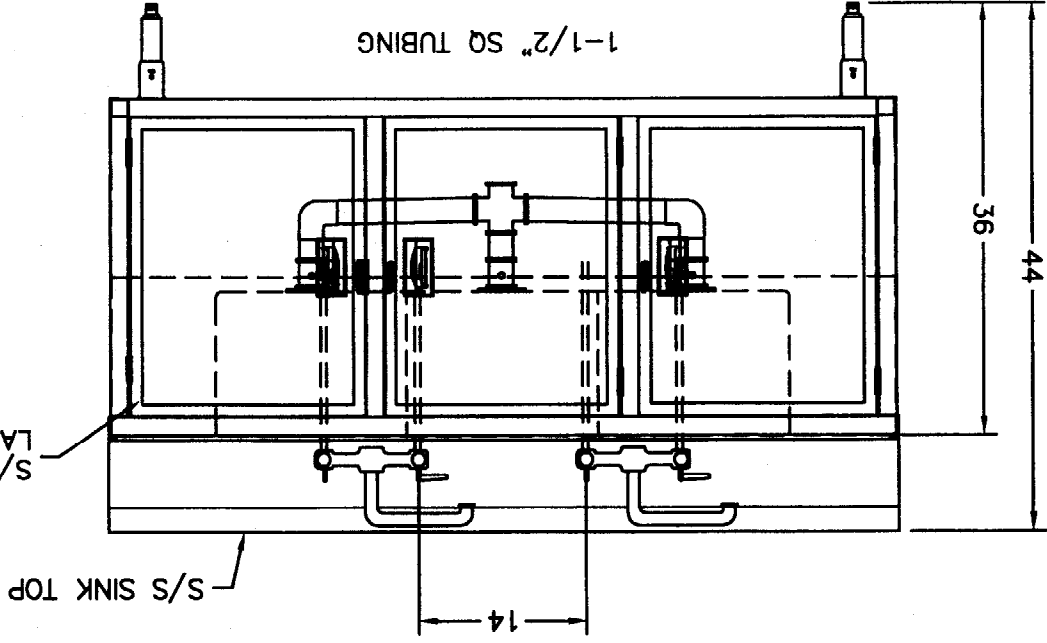
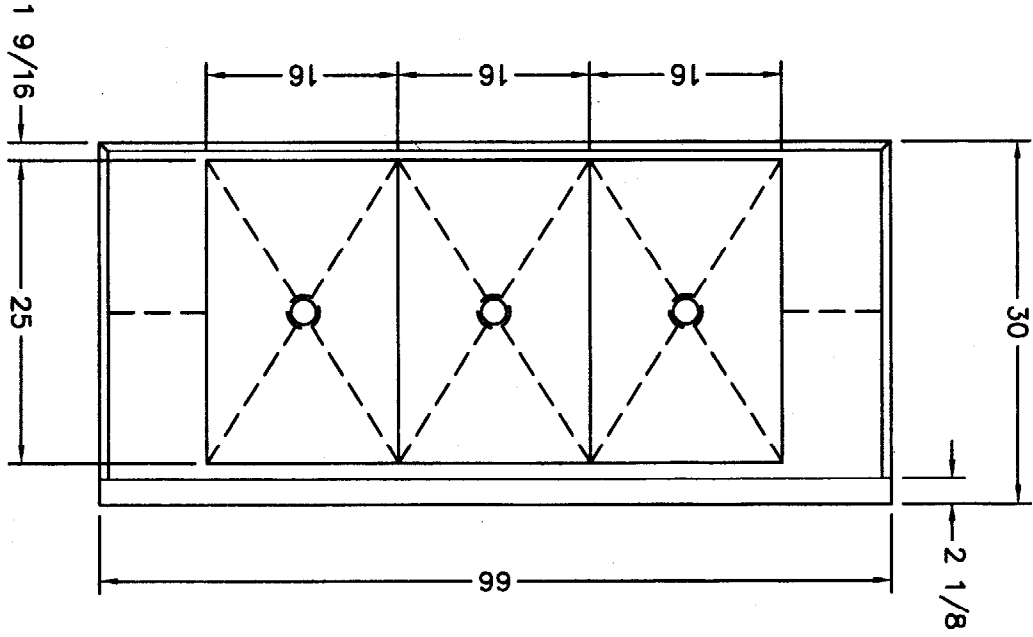
TUBS:
16GA, TYPE 304, S/S, #3 POLISH WITH DOUBLE
WALL PARTITIONS AND STAMPED 3-1/2 CSK DEPRESSIONS
FOR DRAIN OUTLETS, ALL ARE WELDED
INTEGRAL TO SINK BODY.

LEGS:
16GA, T304, P180, 1-5/8 ROUND S/S TUBING.

BULLETFEET:
CORROSION RESISTANT MATERIAL
WITH ADJUSTABLE HEIGHT.

CABINET:
18GA, TYPE 304, S/S, #3 POLISH WITH A 1-1/2" S/S
FRAME ALL WELDED INTEGRAL TO GATHER.
FRONT PANELS LAMINATED.

FIXTURES AND PLUMBING:
#1310368 8" FISHER FAUCET, LEVER WASTE
SINK DRAIN, 1/2" COPPER LINES FROM FAUCETS
RUN DOWN TO JUST BELOW TUBS.



PROPRIETARY INFORMATION
DO NOT DUPLICATE
ALL RIGHTS RESERVED
DIMENSIONS ARE IN INCHES
TOLERANCES UNLESS NOTED
FRAC. TOL. ± 1/32
DEC. TOL. ± .01
ANGULAR TOL. ± .5°
DO NOT SCALE DRAWING

BY: HJ
DATE: 12/18/02

NO.	E.C.N. NO.	REVISION
1	N.A.	ADDED 11.6, 7 & 8.

SIZE: B
DRN. BY: HJ
DATE: 10/16/02
SCALE: 3/4"=1'
REV. 1
DOCUMENT NO. 1116969
SHT: 1 of 1
PART NO. 1116969



LOAD KING
2000
P.O. BOX 40808 1357 WEAVER ST. JACKSONVILLE, FL 32203

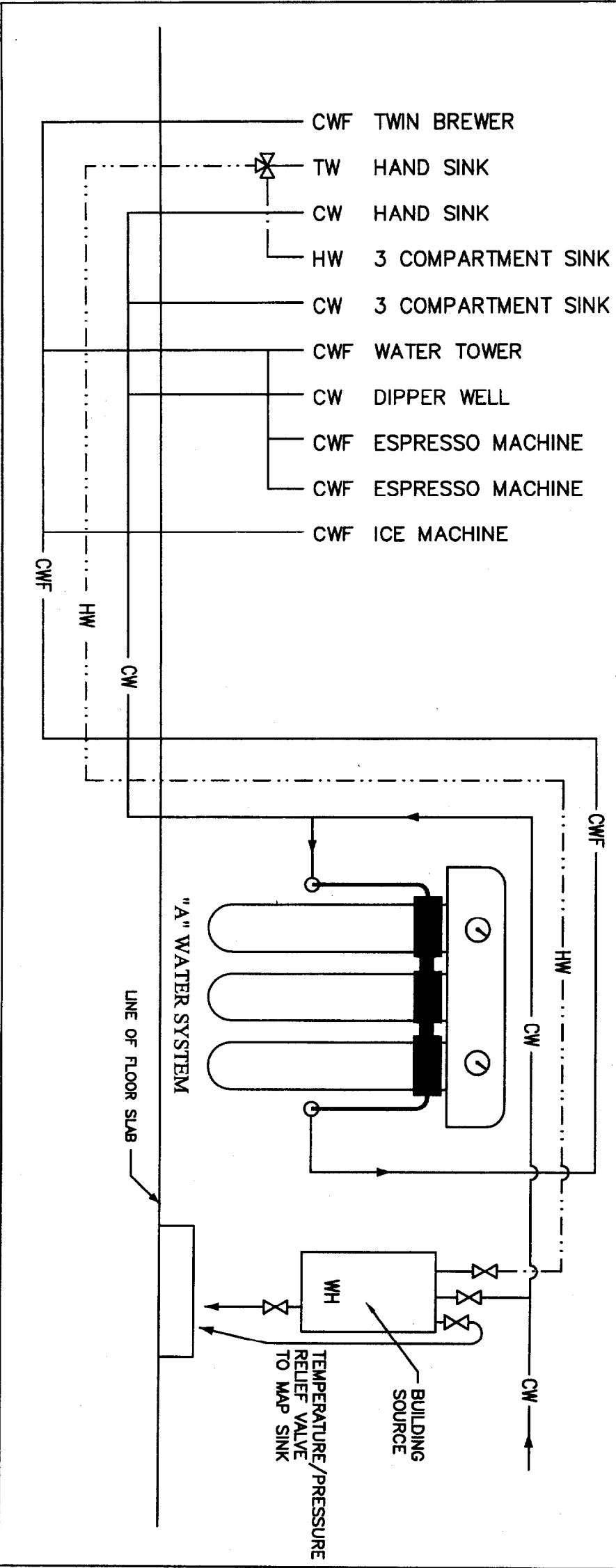
SINK CABINET
CRAFTSMAN

ALL INFORMATION CONTAINED IN OR DISCLOSED BY THIS DOCUMENT IS CONSIDERED CONFIDENTIAL AND PROPRIETARY BY LOAD KING MFG. COMPANY. ALL DESIGN, MANUFACTURING, USE, REPRODUCTION, AND ALL SALES RIGHTS, ARE EXPRESSLY RESERVED BY AND TO LOAD KING MFG. COMPANY AND COMMUNICATION OF THIS INFORMATION TO OTHERS IS PROHIBITED WITHOUT THE PRIOR WRITTEN CONSENT OF LOAD KING MFG. COMPANY.

LINE KEY

COLD WATER FILTERED	_____	CWF
HOT WATER	HW
COLD WATER	_____	CW
TEMPERED WATER	TW

CONTRACTOR IS RESPONSIBLE FOR ANY OTHER ITEMS NECESSARY TO CONFORM TO ALL CODES (LOCAL OR STATE).
 EXAMPLES WOULD BE BACK FLOW PREVENTOR OR SPECIAL DRAIN REQUIREMENTS.
 WATER HEATER IS SHOWN FOR REFERENCE ONLY.



- PLUMBING GENERAL NOTES:**
- 1) HOT WATER FROM BUILDING SOURCE, GC TO VERIFY SOURCE MEETS STARBUCKS STANDARDS
 - 2) 3/4" CW TO WATER FILTER & 3/4" CFW FROM WATER FILTER. PLUMBING CONTRACTOR TO FOLLOW MANUFACTURER'S INSTALLATION INSTRUCTIONS AND ACTIVATION PROCEDURES FOR FILTERS. INSTALL ASSEMBLY ON THE WALL
 - 3) 1/2" HW & CW TO FAUCET & SPRAY AT 3 COMPARTMENT SINK AND HAND SINK
 - 4) 1/2" CW W/SHUTOFF TO ICE MACHINE, REDUCED TO 3/8" AT MACHINE
 - 5) 1/2" TEMPERED HW & CW W/SHUTOFF TO SINK
 - 6) 1/2" CW TO COFFEE BREWER, INSTALL SHUTOFF IN CABINET, REDUCED TO 3/8" AT UNIT
 - 7) 1/2" CW TO ESPRESSO MACHINE, CONNECT 3/8" COMPRESSION BRAIDED STAINLESS STEEL HOSE FROM SHUTOFF TO ESPRESSO MACHINE WATER INLET
 - 8) 1/2" CW TO DIPPER WELL FAUCET
 - 9) 3/8" CW TO WATER TOWER FAUCET
 - 10) PROVIDE BACK FLOW PREVENTERS AT THE ICE MACHINE, BREWERS, ESPRESSO MACHINE AND WATER FILTER

ALL INFORMATION CONTAINED IN OR DISCLOSED BY THIS DOCUMENT IS CONSIDERED CONFIDENTIAL AND PROPRIETARY BY LOAD KING MFG. COMPANY. ALL DESIGN, MANUFACTURING, USE, REPRODUCTION, AND ALL SALES RIGHTS, ARE EXPRESSLY RESERVED BY AND TO LOAD KING MFG. COMPANY AND COMMUNICATION OF THIS INFORMATION TO OTHERS IS PROHIBITED WITHOUT THE PRIOR WRITTEN CONSENT OF LOAD KING MFG. COMPANY.

NO.	E.C.N. NO.	REVISION	DATE:	BY:

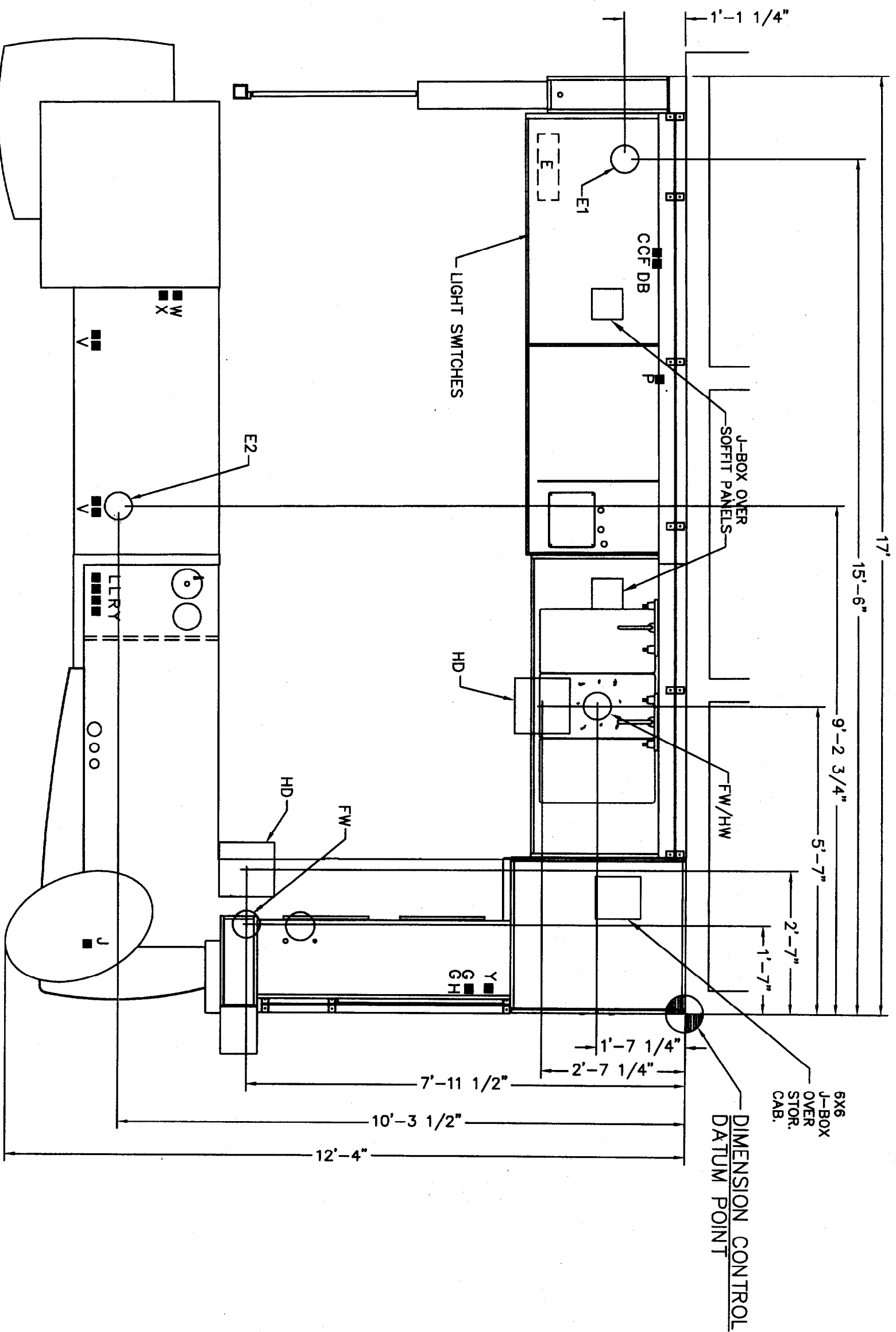
PROPRIETARY INFORMATION
 DO NOT DUPLICATE
 ALL RIGHTS RESERVED
 DIMENSIONS ARE IN INCHES
 TOLERANCES UNLESS NOTED
 FRAC. TOL. ± 1/32
 DEC. TOL. ± .01
 ANGULAR TOL. ± 5°
 DO NOT SCALE DRAWING

LOAD KING 2000
 P.O. BOX 40908 1357 WEAVER ST. JACKSONVILLE, FL 32203

SUPPLY PIPING DIAGRAM
 "A" FILTER SYSTEM

SIZE: B DRN. BY: AC DATE: 8/13/03 SCALE: 12"=1'

PART NO. 3380116
 SH: 1 of 1
 DOCUMENT NO. 3380116
 REV. 0



NOTE:
 ALL PLUMBING AND ELECTRICAL MUST BE
 DONE IN ACCORDANCE WITH LOCAL CODES.

All electrical connections and plumbing connections, including
 equipment hook-up and lights, are responsibility of G.C.

STUB-UP LEGEND:

- E1 = ELECTRICAL STUB-UP
- E2 = STUB-UP "POS" REGISTER & DATA
 (PER CUSTOMER SPECIFICATION)
- FW = FRESH COLD WATER
- FW/HW = FRESH COLD & HOT WATER
- HD = HUB DRAIN OR FLOOR SINK

ELECTRICAL:
 CONTROL PANEL

120/240-3-60, 125 AMPS
 MINIMUM LOAD 90 AMPS

Equipment Legend

- B - Scale
- C - Rcpt for Warmer
- D - Rcpt for Grinder
- E - Electrical Panel
- F - Rcpt for Coffee Brewer
- G - Rcpt for Ice Blender
- H - Rcpt for Ice Maker
- J - Rcpt for Water Filter System
- L - Rcpt for Espresso Machine
- P - Rcpt for Undercounter refrigerator
- R - Rcpt for 2 door refrigerator
- V - IG Rcpt & j-box for POS
- W - Rcpt for food case
- X - Rcpt for Utilities
- Y - J-box

Electrical Components
 supplied by Load King
 as part of fixture.

NO.	E.C.N. NO.	REVISION	DATE:	BY:

PROPRIETARY INFORMATION
 DO NOT DUPLICATE
 DIMENSIONS ARE IN INCHES
 TOLERANCES UNLESS NOTED
 FRAC. TOL. ± 1/32
 DEC. TOL. ± .01
 ANGULAR TOL. ± .5°
 DO NOT SCALE DRAWING

LOAD KING
 P.O. BOX 40608 1357 WEAVER ST. JACKSONVILLE, FL 32203
 MECHANICAL ASSEMBLY

SIZE: B DRN. BY: AC DATE: 8/13/03 SCALE: 1/2"=1'

PART NO.	3397652
SHT: 1 of 3	REV. 0
DOCUMENT NO.	3397652

ALL INFORMATION CONTAINED IN OR DISCLOSED BY THIS DOCUMENT IS CONSIDERED CONFIDENTIAL AND PROPRIETARY BY LOAD KING MFG. COMPANY. ALL DESIGN, MANUFACTURING, USE, REPRODUCTION, AND ALL SALES RIGHTS ARE EXPRESSLY RESERVED BY AND TO LOAD KING MFG. COMPANY AND COMMUNICATION OF THIS INFORMATION TO OTHERS IS PROHIBITED WITHOUT THE PRIOR WRITTEN CONSENT OF LOAD KING MFG. COMPANY.

NO.	E.C.N. NO.	REVISION	DATE:	BY:	SIZE: B	DRN. BY: AC	DATE: 8/13/03	SCALE: 1/2"=1'	1	3397652B	DOCUMENT NO.	0
											SHT: 3 of 3	REV.
											3397652	

PROPRIETARY INFORMATION
DO NOT DUPLICATE
ALL RIGHTS RESERVED
DIMENSIONS ARE IN INCHES
TOLERANCES UNLESS NOTED
FRAC. TOL. ± 1/32
DEC. TOL. ± .01
ANGULAR TOL. ± .5
DO NOT SCALE DRAWING

LOAD KING 2000
P.O. BOX 40608 1357 W. BEAVER ST. JACKSONVILLE, FL 32203

ALL INFORMATION CONTAINED IN OR DISCLOSED BY THIS DOCUMENT IS CONSIDERED CONFIDENTIAL AND PROPRIETARY BY LOAD KING MFG. COMPANY. ALL DESIGN, MANUFACTURING, USE, REPRODUCTION, AND ALL SALES RIGHTS, ARE EXPRESSLY RESERVED BY AND TO LOAD KING MFG. COMPANY AND COMMUNICATION OF THIS INFORMATION TO OTHERS IS PROHIBITED WITHOUT THE PRIOR WRITTEN CONSENT OF LOAD KING MFG. COMPANY.

WIRE LEGEND

LENGTH OF RUN
SIZE OF WIRES
WIRES IN RUN
RUN IDENTIFIER
SIZE OF CONDUIT OR TYPE (LT)
RUN #14 - 1/2"
(27') BR2WG 12

NOTE:
B = BLACK (HOT)
R = RED (HOT)
L = BLUE (HOT)
W = WHITE (COMMON)
G = GREEN (GROUND)
SW1 = SINGLE POLE SWITCH
SW2 = DOUBLE POLE SWITCH
THERMO = THERMOSTAT

NUMBER PRECEDING WIRE DESIGNATES QUANTITY OF THAT WIRE.

