

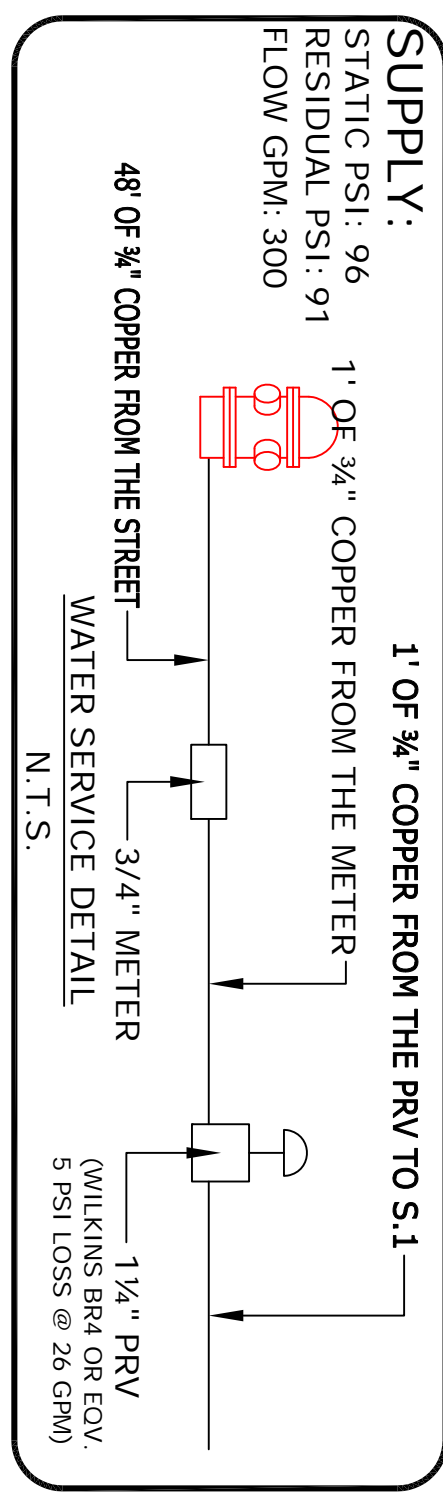
Markup Legend	
Delete Line	
Add Line	
Add Tee	
Add Elbow	
Add Coupling	
Add Head	
Delete Head	
Move Head	

Note: All revisions must be reviewed by Uponor

Table F002-1

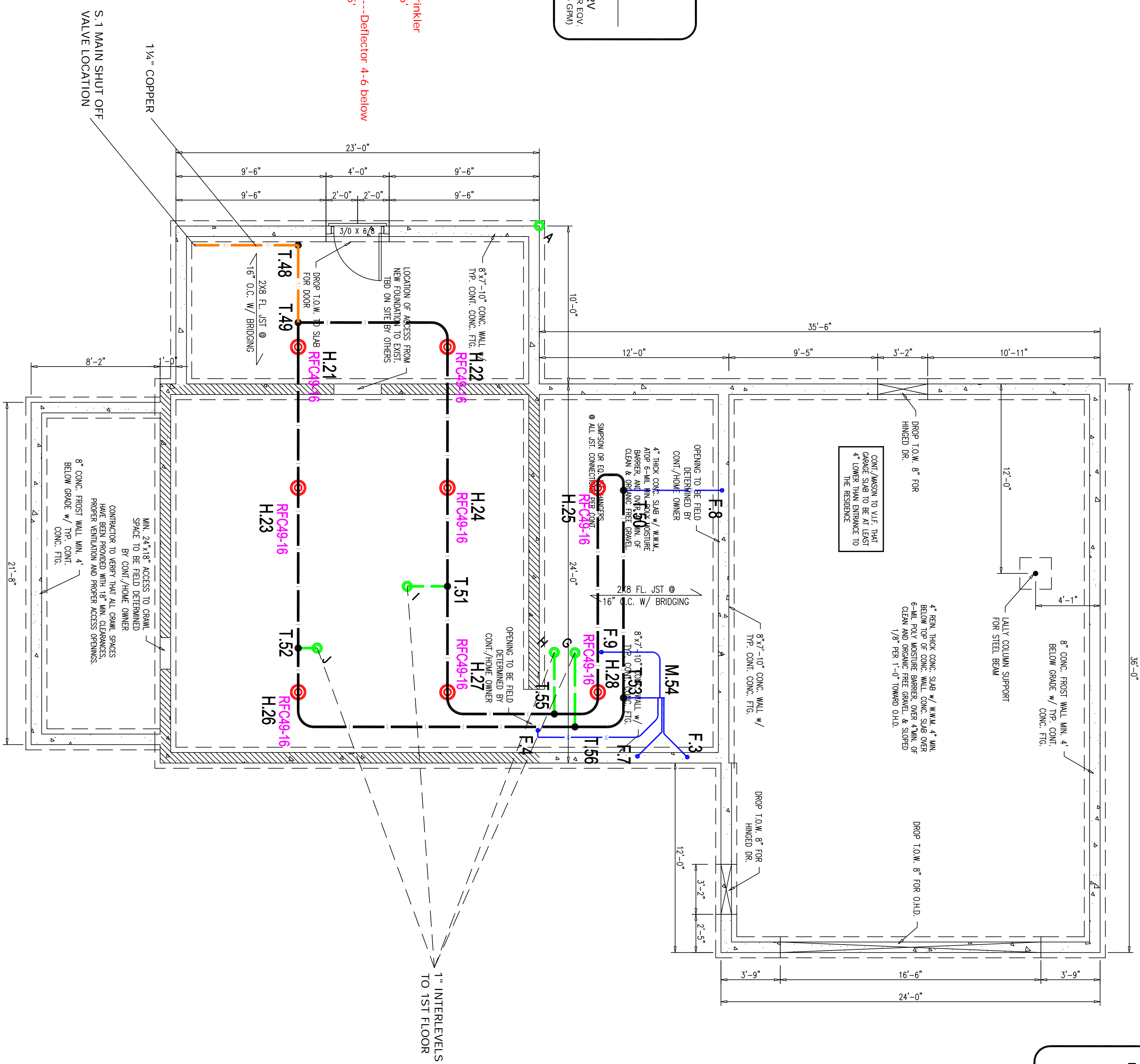
Multipurpose Fire Safety Systems
 The Uponor Residential Fire Safety System is a residential fire protection system installed in combination with the cold side of the domestic potable water system. Only licensed contractors trained by Uponor can install this system.

What to do if Changes are Required
 If any features or obstructions require the addition or deletion of sprinkler heads, or significant relocation of sprinkler heads, contact the Uponor Design Department to determine if observed changes require a redesign (888.594.7726).



MOST HYDRAULICALLY REMOTE HEADS			
HEAD #	GPM	HEAD	PRESSURE REQ'D AT STREET
1 HEAD	H.19	17	56.15
2 HEAD	H.1 & H.9	26.1007	83.29

- RFCA9-16 --- 26 RELIABLE Model RFCA9RFCA9 Concealed Pendant Sprinkler
 K=4.9, 165F°, 3/8" Orifice, Maximum Spacing 16'x16'
 Sprinkler head demand: 13 gpm @ 7.04
- F3QR DRY --- 2 RELIABLE Model F3QR--F3QR Dry Sidewall Sprinkler---Deflector 4-6 below
 K=5.6, 155F°, 1/2" Orifice, Maximum Spacing 15'x15'
 Sprinkler head demand: 14.8 gpm @ 7

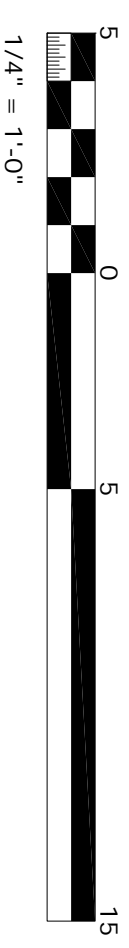


COLOR/LINETYPE LEGEND

BLUE LINES = FEED TO FIXTURES (BATH, SHOWER, ETC.)
 GREEN LINES = INTERLEVEL CONNECTIONS
 BLACK LINES = SPRINKLER HEAD TO SPRINKLER HEAD

--- = 1/2" PIPE SIZE
 --- = 3/4" PIPE SIZE
 --- = 1" PIPE SIZE
 --- = 1-1/4" PIPE SIZE
 --- = 2" PIPE SIZE

1 BASEMENT LEVEL
 1/4" = 1'-0"



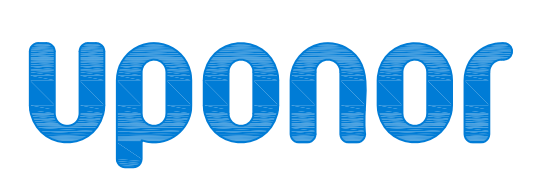
HELOU RESIDENCE
 120 FENWAY STREET
 PORTLAND, ME 04102

DRAWN BY:	BRENT KOTULA, CET III	CONTACT PH. NUMBER:	207-797-5408
CHECKED BY:	DAN HUBBARD	ALLIANCE ID:	TBD
CERTIFICATION LEVEL:	SET IV	PLOT DATE:	8/30/11
CERTIFICATION NUMBER:	115052	SHEET SCALE:	1/4" = 1'-0"
COMPANY:	SUCCHINIS PLUMB & HEAT	PROJECT NUMBER:	110812-40L
CONTACT:	DOMINIC DIBIASE	SQUARE FEET:	2835 SQ. FT.

REVISIONS		
NO.	DATE	DESCRIPTION

DISCLAIMER
 THIS SERIES OF PLUMBING, HYDRONIC HEATING/COOLING, SNOW AND ICE MELTING, AND/OR FIRE SPRINKLER TECHNICAL DRAWINGS HAVE BEEN DESIGNED BY UPONOR, INC. TECHNICAL SERVICES - DESIGN DEPARTMENT. THEY HAVE BEEN PREPARED TO MEET PROFESSIONAL STANDARDS OF DESIGN AND CONSTRUCTION. BEFORE STARTING ALL WORK ASSOCIATED WITH THIS DESIGN, IT IS MANDATORY TO MAKE A CAREFUL CHECK OF PIPE SIZE, CALCULATIONS, MATERIALS, PLUMBING AND/OR FIRE CODES USED. REPORT ANY ERRORS AND/OR DESIGN CHANGES TO UPONOR, INC. TECHNICAL SERVICES - DESIGN DEPARTMENT TO DETERMINE IF THE DESIGN REQUIRES REVISION. IF ERRORS AND/OR DESIGN CHANGES ARE NOT REPORTED BACK TO UPONOR, INC., IT IS THE SOLE RESPONSIBILITY OF THE INSTALLER TO ENSURE SYSTEM DESIGN WILL FUNCTION IN ACCORDANCE WITH ALL APPLICABLE CODES AND EXPECTATIONS. THERE IS NO WARRANTY WRITTEN, EXPRESSED OR IMPLIED FOR DAMAGES THAT MAY RESULT FROM THE APPLICATION AND INCORRECT INTERPRETATION OF THESE DRAWINGS.

SALES REP:



TECHNICAL SERVICES - DESIGN DEPARTMENT
 21900 DODD BLVD., LAKEVILLE, MN 55044
 T 888.594.7726 F 952.997.1731
 EMAIL TECHNICAL.SERVICES@UPONOR.COM
 WEB WWW.UPONOR-USA.COM

F100
 SHEET NUMBER

SHEET DESCRIPTION
 BASEMENT LEVEL