

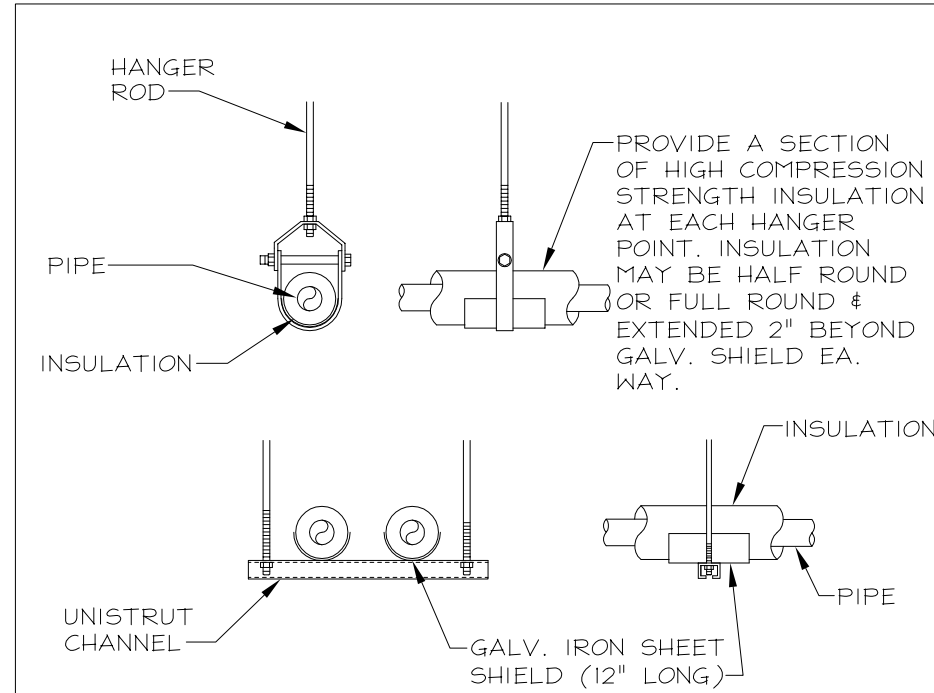
KITCHEN EQUIPMENT CONNECTION SCHEDULE

ITEM # (XX)	DESCRIPTION:	FW	CW	HK 110°F	HW 140°F	WASTE	VENT	NAT. GAS SIZE: MBH:	REMARKS:
8.2	CARBONATOR	--	1/2"	--	--	--	--	--	(2) (5)
20.12	3-COMP. SINK	1/2"	--	1/2"	2" TO IND. FS-1	1-1/2"	--	--	(2) (4) 2 FAUCETS FOR SINK
28	HOT WATER MACHINE	1/2"	--	--	--	--	--	--	(2) (5) 1 NEW AND 1 FUTURE
34.7	DISHWASHER STATION	--	1/2"	1/2"	2"	1-1/2"	--	--	(2)
35.3	DISHWASHER	1/2"	--	3/4"	2" TO IND. FS-1	1-1/2"	--	--	(4) PROVIDED WITH DRAIN QUENCH SYSTEM (1)
44.1	BEVERAGE FOUNTAIN	1/2"	--	--	IND. FS-1	--	--	--	(2) (4) (5)
55.4	CONVECTION OVEN STACKED OVEN	1/2"	--	--	IND. FD-2	--	--	--	(1) (2) (3)
62.4	ICE MACHINE	1/2"	--	--	IND. FS-1	--	--	--	(1) (2) (4)
67.4	HOT CAPPUCCINO	1/2"	--	--	--	--	--	--	(1) (2) 1 NEW AND 1 FUTURE
68.1	COFFEE BREWER	1/2"	--	--	--	--	--	--	(1) (2)
70	WALK-IN FREEZER	--	--	--	IND. FD-2	--	--	--	
73.1	HAND SINK COUNTER	1/2"	1/2"	--	2"	1-1/2"	--	--	(2)
73.2	HAND SINK WALL	1/2"	1/2"	--	2"	1-1/2"	--	--	(2)
74	WALK-IN COOLER	--	--	--	IND. FD-2	--	--	--	
77.5	SOUP WELL	--	--	--	IND. FS-1	--	--	--	(4) PLUMBING CONTR. PROVIDE BALL VALVE AND PIPE FROM EACH SOUP WELL TO FLOOR SINK.
83.2	VEGETABLE SINK	1/2"	--	1/2"	IND. FS-1	--	--	--	(2) (4)
87	CAPPUCCINO ICER MACHINE	1/2"	--	--	--	--	--	--	(1) (2)
87.4	REMOTE SINGLE BARREL ICE CAPPUCCINO	--	1/2"	--	--	--	--	--	(1) (2)
136	BEVERAGE UNIT (FUTURE)	1/2"	--	--	--	--	--	--	(1) (2)

- INSTALL BACKFLOW PREVENTER EQUAL TO WATTS 9D AHEAD OF WATER CONNECTION.
- PROVIDE SHUT-OFF VALVE WITH 1/2" SWEAT TO 3/8" COMPRESSION FITTING.
- STACKED OVENS COME WITH STAINLESS STEEL DRAIN KIT. PLUMBER IS TO INSTALL KIT AND ADD AN INDIRECT DRAIN WITH TRAP FROM SINGLE POINT CONNECTION AND EXTEND TO FLOOR DRAIN.
- INDIRECT WASTE TO FS-1 W/AIR GAP PER CODE.
- INSTALL DOUBLE CHECK VALVE BACKFLOW PREVENTER WITH INTERMEDIATE ATMOSPHERIC VENT THAT MEETS ASSE 1022 AHEAD OF WATER CONNECTION. INSTALL 100 MESH STRAINER IMMEDIATELY PRECEEDING BACK FLOW PREVENTER.

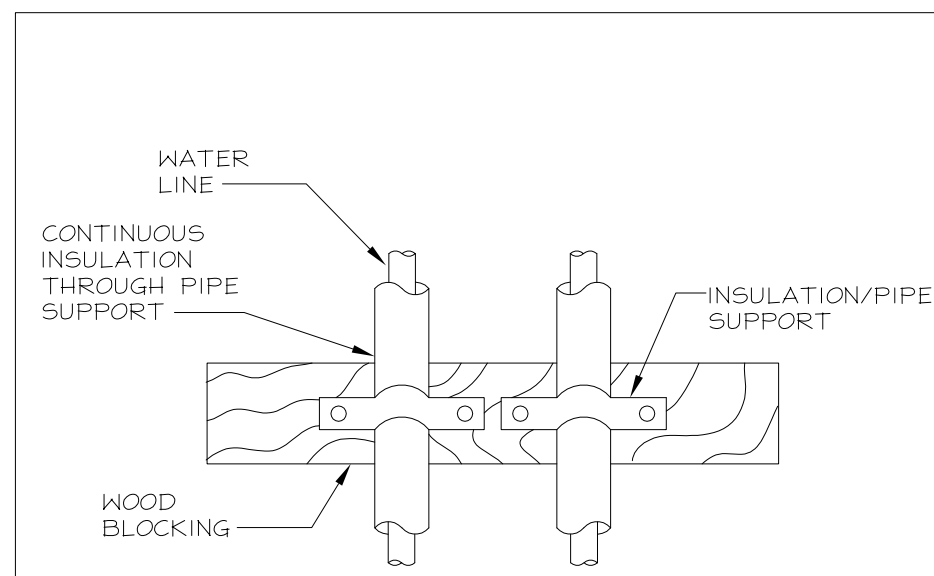
PLUMBING FIXTURE SCHEDULE

TAG:	SPECIFICATIONS:	FAUCET:	TRAPS AND SUPPLIES:	FW	CW	HK 110°F	HW 140°F	WASTE	VENT	NAT. GAS SIZE: MBH:	REMARKS:
WC-1	AMERICAN STANDARD, "MADERA" 3043.102 VITREOUS CHINA, FLOOR MOUNTED ELONGATED BOWL, SIPHON JET, WATER SAVING, 2 BOLT CAPS. (RIM @17" A.F.F.) COLOR WHITE	DELTA 81T201-6	INTEGRAL	--	1"	--	--	4"	2"	--	SEAT: OLSONITE #95
LAV-1	CORIAN: INTEGRAL TOP AND BOWL. COLOR: WHITE	DELTA 21T153		--	1/2"	1/2"	--	1-1/2"	1-1/2"	--	THIS EQUIPMENT IS REFERENCED AS 53.1 IN THE KITCHEN EQUIPMENT SCHEDULE ON SHEET A2.
HB-1	WOODFORD #65 AUTO DRAINING.			--	3/4"	--	--	--	--	--	HOSE BIBB.
MS-1	24" x 24" x 10" DEEP STAINLESS STEEL MOP SINK RECESSED IN SLAB W/ #889-CC-24 MOP HANGER AND #E-77-AA SILICONE SEALANT. SEE SHEET A9 FOR MOUNTING HEIGHT. SUPPLIED BY KITCHEN EQUIPMENT SUPPLIER AND INSTALLED BY GC.	DELTA 28T8073		--	1/2"	1/2"	--	3"	1-1/2"	--	--
ED-1	JOSAM 30003-50-5C OR EQUAL BY ZURN OR JR SMITH.			--	--	--	--	3"	--	--	FLOOR DRAIN, CAST IRON BODY, 7" DIAMETER NICKEL BRONZE SERIES C STRAINER, COMBINATION MEMBRANE CLAMP AND ADJUSTABLE COLLAR, VANDAL PROOF SECURED TOP.
ED-2	JOSAM 30003-50-7E2 OR EQUAL BY ZURN OR JR SMITH. FLOOR DRAIN WITH FUNNEL.			--	--	--	--	3"	--	--	FLOOR DRAIN, CAST IRON BODY, 7" DIAMETER NICKEL BRONZE SERIES E STRAINER, COMBINATION MEMBRANE CLAMP AND ADJUSTABLE COLLAR, VANDAL PROOF SECURED TOP, 4" DIAMETER FUNNEL.
FS-1	JOSAM 4923-7 OR EQUAL BY ZURN OR JR SMITH.			--	--	--	--	3"	--	--	FLOOR SINK, 12"x12"x6" DEEP CAST IRON BODY, NICKEL BRONZE FRAME W/ HEAVY DUTY STAINLESS STEEL GRATE WITH 4" DIAMETER HIGH FUNNEL PROVIDE DRAIN WITH VANDAL PROOF SECURED TOP.
WH-1 WH-2	GAS-FIRED INSTANTANEOUS WATER HEATER NORITZ MODEL: N-084M-DV 4.8 GPM AT AN 80° RISE, DIRECT VENT, SEALED COMBUSTION, 120 VOLT, 86 WATTS			--	--	--	--	--	--	236	MOUNT AT 5'0" AFF.
ET-1	EXPANSION TANK AD SMITH PMETC-5X			--	--	--	--	--	--	--	TOTAL VOLUME=5.0 GALLONS, 11-3/8" DIA. x 14 3/4" H., 3/4" NPTM CONNECTION.
MV-1	THERMOSTATIC MIXING VALVE LEONARD TM-15-E-RF-LWS.			--	--	--	--	--	--	--	DURATROL SOLID BIMETAL THERMOSTAT, ADJUSTABLE TEMPERATURE LIMIT STOP SET FOR 110°F, INTEGRAL COMBINATION CHECKSTOPS ON INLETS, 2 GPM MINIMUM FLOW CAPACITY, CAST LEVEL HANDLE INTERNAL PARTS OF BRONZE, BRASS, AND STAINLESS STEEL, ROUGH BRONZE FINISH.
TP-1 TRAP PRIMER	BRASS FLOOR DRAIN TRAP PRIMER VALVE, AUTOMATICALLY OPENS WHEN PRESSURE DROPS FROM FAUCET OPENING IN SYSTEM. PRECISION PLUMBING PRODUCTS OREGON NO. 1			--	1/2"	--	--	--	--	--	PROVIDE WITH INTEGRAL CHECK VALVE AND STAINLESS STEEL FITTINGS. ASSEMBLY TO BE NSF AND ASSE 1018 LISTED. PROVIDE DISTRIBUTION MANIFOLD AS REQUIRED FOR INDIVIDUAL SUPPLY TO A MAXIMUM OF EIGHT (8) DRAINS.

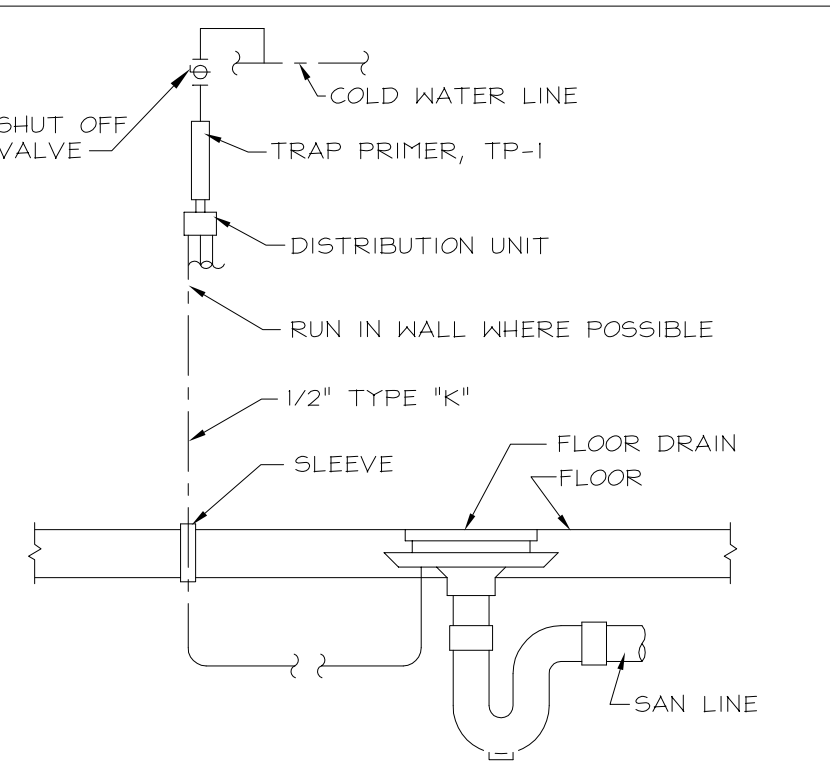


PIPE HANGERS DETAIL
N.T.S.

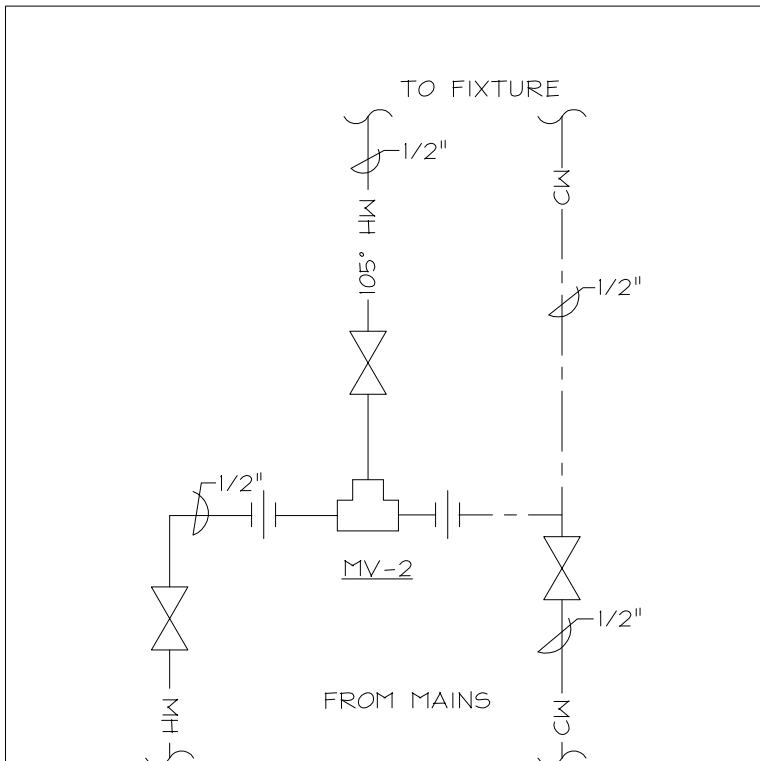
NOTES:
1. ATTACH SUPPORTS FOR ALL PIPING SUSPENDED FROM THE STEEL STRUCTURE TO THE TOP CORD OF JOISTS OR BEAMS.
2. PROVIDE COPPER OR PLASTIC COATED HANGERS FOR NON-INSULATED COPPER PIPE.



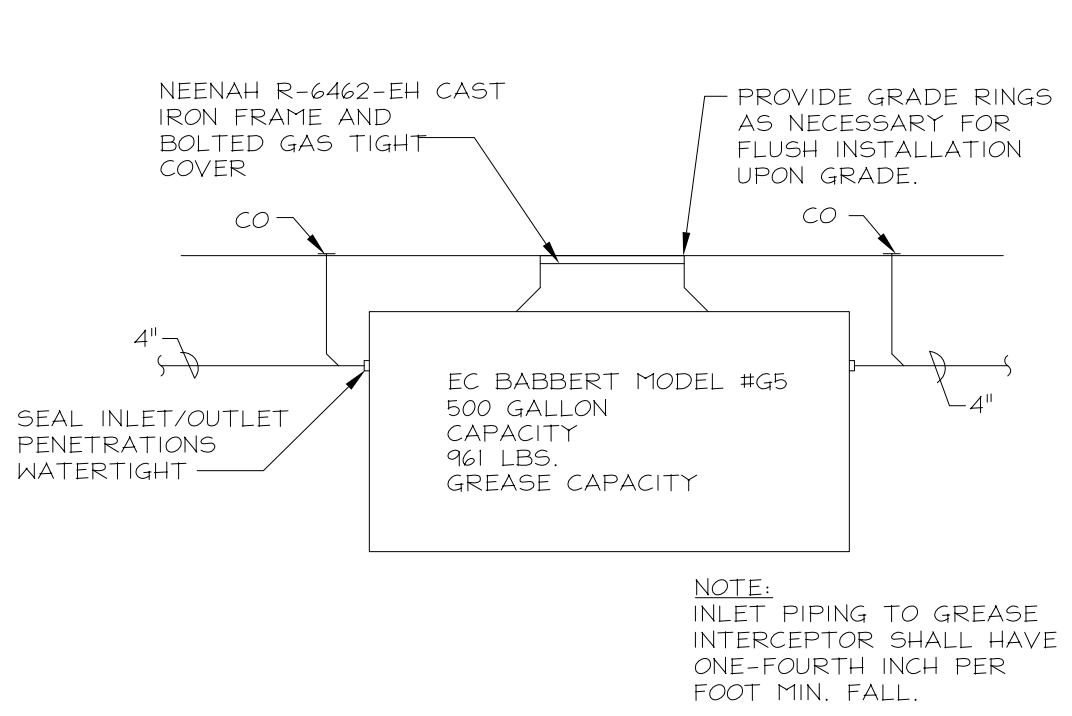
PIPE SUPPORT DETAIL IN WALL
N.T.S.



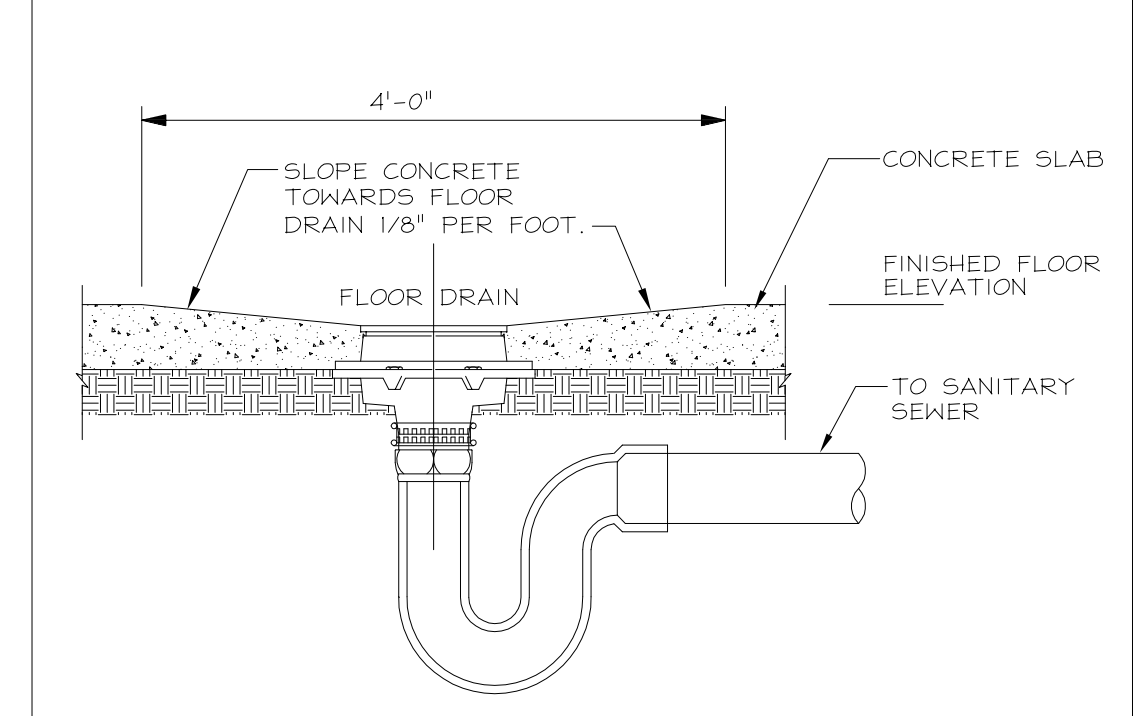
TRAP PRIMER DETAIL
N.T.S.



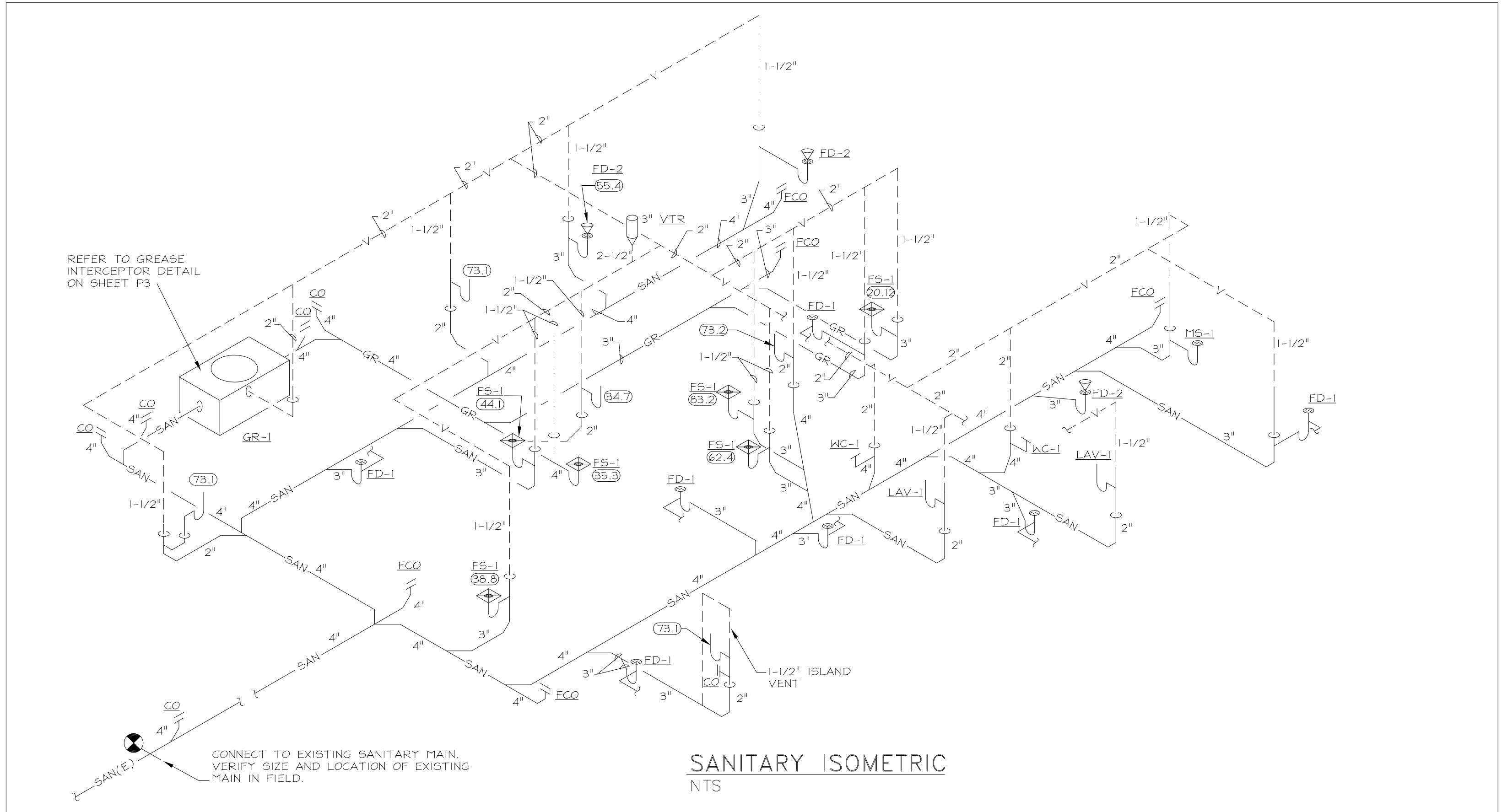
MIXING VALVE DETAIL (MV-2)
N.T.S.



GREASE INTERCEPTOR
N.T.S.



FLOOR DRAIN DETAIL
N.T.S.



REVISIONS:
DATE ISSUED: 07-02-2008

W&P partners
Atlanta
Boston
Chicago
Dallas
Los Angeles
Miami
Sacramento

7007 Discovery Blvd
Dublin, OH 43017
614.834.7777
wppartners.com

Tim Hortons
1408 CONGRESS STREET
PORTLAND, ME 04102

PLUMBING SCHEDULES & DETAILS

DRAWN BY: KRO CHECKED BY: JTP

SAI # 08138
DRAWING NUMBER: **P3**