

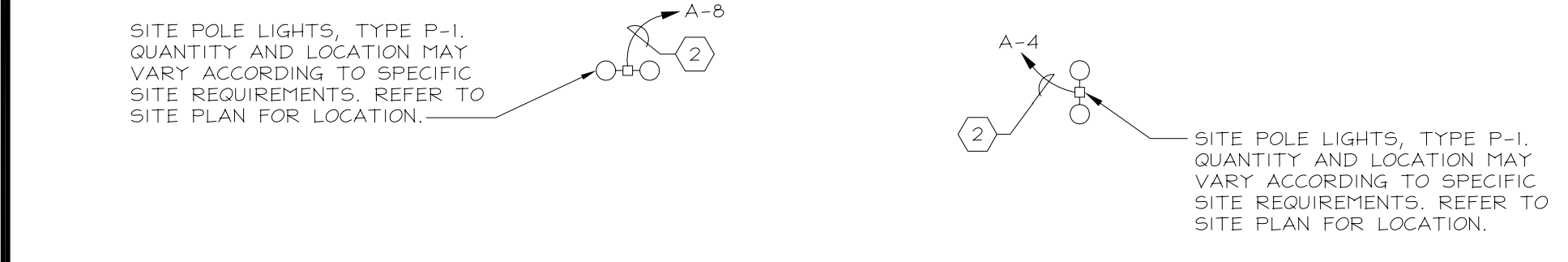
MEZZANINE LIGHTING NOTE
 ELECTRICAL CONTRACTOR SHALL RE-LAMP EXISTING MEZZANINE LIGHTING AND PROVIDE NEW FIXTURES AS NEEDED TO MAINTAIN PROPER MEZZANINE LIGHTING ILLUMINATION. CONNECT EXISTING LIGHTS TO KITCHEN LIGHTING CIRCUIT.

GENERAL NOTES

- ANY CHANGES MADE TO THE DESIGN IDENTIFIED ON THESE DRAWINGS AND/OR ASSOCIATED SPECIFICATIONS SHALL BE SUBMITTED TO THE ENGINEER/ARCHITECT OF RECORD FOR REVIEW AND APPROVAL PRIOR TO MAKING ANY MODIFICATIONS TO THE PROJECT. ANY LIABILITY AS A RESULT OF DESIGN MODIFICATIONS, AS WELL AS ANY COSTS ASSOCIATED WITH SUCH MODIFICATIONS, MADE WITHOUT THE WRITTEN APPROVAL OF THE ENGINEER/ARCHITECT OF RECORD SHALL BECOME THE RESPONSIBILITY OF THE CONTRACTOR.
- "EM" UNITS SHALL BE FOR OPERATION ON 120 VOLT SINGLE PHASE WITH NUMBER OF HEADS AS INDICATED ON THE PLAN. UNITS SHALL BE PLUG-IN TYPE WITH SEALED PURE LEAD BATTERIES. THE CHARGER SHALL BE COMPLETE AUTOMATIC, SOLID STATE TYPE CAPABLE OF FULLY RECHARGING DISCHARGED BATTERY IN 24 HRS. TRANSFER DEVICE SHALL AUTOMATICALLY SWITCH LOAD ON AT POWER FAILURE AND OFF ON RETURN OF NORMAL POWER. UNITS SHALL HAVE LOW VOLTAGE DISCONNECT FEATURE. CONNECT TO LOCAL LIGHTING CIRCUIT AHEAD OF ALL SWITCHING.
- ALL FLUORESCENT FIXTURES SHALL HAVE FACTORY INSTALLED INTEGRAL DISCONNECTING MEANS TO COMPLY WITH NEC 410.130 (G).
- ALL CIRCUITS SHALL HAVE AN INDIVIDUAL NEUTRAL CONDUCTOR. NO SHARED NEUTRALS ARE PERMITTED.

CODED NOTES

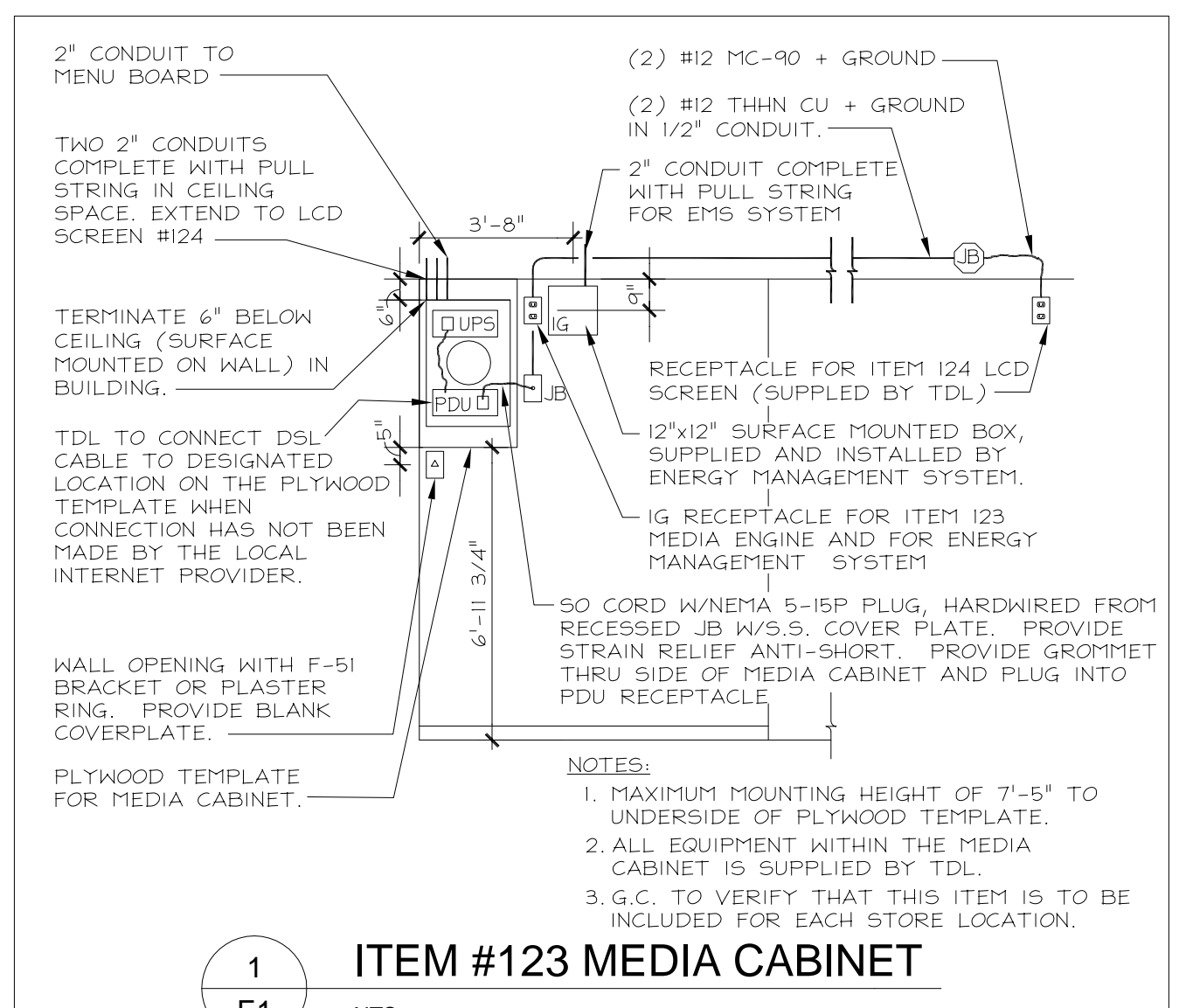
- ELECTRICAL CONTRACTOR SHALL FURNISH AND INSTALL ONE 1/2" POWER AND TWO 2" DATA CONDUITS TO FUTURE MEDIA CABINET LOCATION. VERIFY EXACT LOCATION IN FIELD. REFER TO DETAIL 1, SHEET E1.
- BUILDING LIGHTS, SITE LIGHTS, STREET SIGNS, MENU BOARD AND DIRECTIONAL SIGNS ALL TO BE ON PHOTOCELL CONTROLLED CIRCUIT WITH AN OVERRIDE SWITCH.
- MENU BOARD RECEPTACLES SHALL BE INSTALLED IN BULKHEAD AT MENU BOARD. REFER TO SHEET A3 FOR DETAILS.
- BUILDING SIGN, WIRE THRU BREAKER IN PANEL "A" AND SHALL REMAIN "ON" AT ALL TIMES.
- REMOTE BALLAST FOR WALL MOUNTED SCOCNE TYPE W-5, ABOLITE WMB5 3/4" W/ 3" U.E. BKS. MOUNT ABOVE LAY-IN CEILING AND CONNECT TO FIXTURE. CIRCUIT AS INDICATED.



LIGHTING PLAN
 1/4"=1'-0"

FIXTURE DESIGNATION	QUANTITY	MANUFACTURER	CATALOG NUMBER	LAMPS	INPUT WATTAGE	REMARKS
R-1	12	LITHONIA	2GT 332 A12 120 1/3 GEB LP735 (HINGED ACRYLIC COVER)	C/W (3) 32W T-8 LAMPS, ELECTRONIC BALLAST	94	2' X 4' RECESSED FLUORESCENT FOR T-BAR CEILING
R-2	2	LITHONIA	GT 232 A12 120 GEB LP735 (HINGED ACRYLIC COVER)	C/W (2) 32W T-8 LAMPS, ELECTRONIC BALLAST	65	1' X 4' RECESSED FLUORESCENT FOR T-BAR CEILING
R-3	8	LITHONIA	LF6 2/13DTT MVOLT F602A7	2-13W TWIN TUBE COMPACT SHATTER-PROOF FLUORESCENT LAMPS	29	RECESSED 6" DOWNLIGHT WITH SPECULAR CLEAR ALZAK REFLECTOR
R-4	0	LITHONIA	S 132 120 GEB	C/W (1) 32W T-8 LAMPS, ELECTRONIC BALLAST	38	1 LAMP STANDARD STRIPLIGHT
R-5	3	LITHONIA	SP F 232 A12 120 GEB LP735	C/W (2) 32W T-8 LAMPS, ELECTRONIC BALLAST	65	1' X 4' RECESSED FLUORESCENT DRYWALL CEILING
R-6	0	LITHONIA	AH 70M 6AR 120 TRX WLP	70W METAL HALIDE LAMP, MAGNETIC BALLAST	90	RECESSED 6" DOWNLIGHT WITH CLEAR REFLECTOR
R-7	0	LITHONIA	25P F 332 A12 120 1/3 GEB LP735 (HINGED ACRYLIC COVER)	C/W (3) 32W T-8 LAMPS, ELECTRONIC BALLAST	94	2' X 4' RECESSED FLUORESCENT FOR DRYWALL
R-8	15	LITHONIA	2PM4 G B 2 U316 9LD 120 GEB LP735	C/W (2) 32W T-8 U-LAMPS, ELECTRONIC BALLAST	65	2' X 2' RECESSED DEEP CELL PARABOLIC FOR T-BAR CEILING
R-9	6	LITHONIA	2GT8 2 U316 A12 120 GEB LP735 (HINGED ACRYLIC COVER)	C/W (2) 32W T-8 U-LAMPS, ELECTRONIC BALLAST	65	2' X 2' RECESSED FLUORESCENT FOR T-BAR CEILING
W-1	0	LIGHTMOR	COACHLIGHT	100W METAL HALIDE LAMP, HIGH-POWER FACTOR BALLAST	129	WALLMOUNTED AS SHOWN ON ARCHITECTURAL SHEETS A5.0 AND A5.1
W-5	3	ABOLITE	ALV WCD 20HD A SCDR MSV	39W CERAMIC METAL HALIDE LAMP WITH REMOTE BALLAST	55	WALLMOUNTED AS SHOWN ON ARCHITECTURAL SHEETS A5.0 AND A5.1
W-7	0	LITHONIA	TWH 175M TB	175W METAL HALIDE LAMP, HIGH-POWER FACTOR BALLAST	210	WALLMOUNTED AS SHOWN ON ARCHITECTURAL SHEETS A5.0 AND A5.1
CL-8	0	LITHONIA	10981	1-32 WATT CIRCLINE	32	DECORATIVE 14" SQUARE FLUORESCENT WHITE MOLDED ACRYLIC, WHITE HOUSING
EM-1	10	LITHONIA	ELR2	2-8 WT GLASS SEALED BEAM.	20	SEE GENERAL NOTE 1.
EM-2	0	LITHONIA	ELR4	2-12 WT GLASS SEALED BEAM.	30	SEE GENERAL NOTE 1. REMOTE HEADS SHALL BE BEIGE COLOR.
EM-3	4	LITHONIA	ELM2	2-5.4 WT MR24 KRYPTON	1.2	SEE GENERAL NOTE 1.
EX-1	1	LITHONIA	LQ1 SW 3R 120/277 ELN	-----	0.71	LED EXIT SIGN
EX-2	2	LITHONIA	LHQM SW IR 120/277 HO	2-5.4 WT MR24 KRYPTON	3.3	LED EXIT SIGN/UNIT COMBO LIGHT
RE-1	0	LITHONIA	ELA H0812	1-8 WT GLASS SEALED BEAM	-----	REMOTE FIXTURE
RE-2	3	LITHONIA	ELA NHC606	1-6 WT GLASS SEALED BEAM	-----	REMOTE FIXTURE
P-1	*	*	*	750 WATT METAL HALIDE, MULTI-TAP BALLAST	812	BRONZE FINISH ON POLE AND LUMINAIRE, 30'-0" POLE HEIGHT, REFER TO SHEET SD-2.

NOTE: FIXTURE NUMBER, LETTER PREFIX INDICATES TYPE OF MOUNTING AS FOLLOWS: CL-CEILING MOUNTED; W-WALL MOUNTED; R-CEILING RECESSED; EM-EMERGENCY LIGHTING UNIT; EX-EXIT SIGN OR EXIT/EM LIGHT COMBO UNIT; RE-REMOTE EMERGENCY LIGHTING UNIT, P-EXTERIOR POLE LIGHTS.



ITEM #123 MEDIA CABINET
 NTS

ELECTRICAL SYMBOLS

NOTE: ALL MOUNTING HEIGHTS SHALL BE AS INDICATED, UNLESS NOTED OTHERWISE. ALL MOUNTING HEIGHTS FOR KITCHEN EQUIPMENT SHALL BE AS INDICATED ON THE KITCHEN EQUIPMENT WIRING SCHEDULE, SHEET E3.

⊕	THERMOSTAT @ 48"	○	CEILING MOUNTED SURFACE/RECESSED LIGHTING FIXTURE
⊞	WALL MOUNTED PUSH BUTTON @ 48"	□	WALL MOUNTED LIGHTING FIXTURE
⊙	CEILING MOUNTED SPEAKER	○	CEILING MOUNTED SURFACE/RECESSED FLUORESCENT LIGHTING FIXTURE 2'X4'
⊞	WALL MOUNTED TIMER @ 48"	○	CEILING MOUNTED SURFACE/RECESSED FLUORESCENT LIGHTING FIXTURE 2'X2'
⊞	WALL MOUNTED VOLUME CONTROL @ 48"	□	CEILING MOUNTED SURFACE/RECESSED FLUORESCENT LIGHTING FIXTURE 14'X14"
⊞	WALL MOUNTED VARIABLE SPEED CONTROLLER @ 48"	□	CEILING MOUNTED SURFACE/RECESSED FLUORESCENT LIGHTING FIXTURE 1'X4'
⊞	CEILING MOUNTED PHOTO/IONIZATION DETECTOR	⊞	CEILING MOUNTED EMERGENCY EXIT SIGN SHADED QUADRANT INDICATES ILLUMINATED FACE ARROW INDICATES "DIRECTIONAL ARROW" POSITION(S)
⊞	PHOTO/IONIZATION DETECTOR-DUCT MOUNTED	⊞	WALL MOUNTED EMERGENCY EXIT SIGN SHADED QUADRANT INDICATES ILLUMINATED FACE ARROW INDICATES "DIRECTIONAL ARROW" POSITION(S)
⊞	CEILING MOUNTED HEAT DETECTOR	⊞	WALL/CEILING MOUNTED COMBINATION EMERGENCY LIGHTING / EXIT SIGN FIXTURE-BATTERY TYPE SHADED QUADRANT INDICATES ILLUMINATED FACE, ARROW INDICATES "DIRECTIONAL ARROW" POSITION(S)
⊞	ALARM HORN	⊞	CEILING MOUNTED RECESSED EMERGENCY LIGHTING FIXTURE-BATTERY TYPE
⊞	ALARM HORN WITH VISUAL INDICATOR @ 80"	⊞	WALL MOUNTED EMERGENCY LIGHTING FIXTURE-BATTERY TYPE
⊞	VISUAL ALARM INDICATOR WITH NO HORN @ 80"	⊞	REMOTE MOUNTED EMERGENCY LIGHTING FIXTURE
⊞	MANUAL PULL STATION @ 48"	⊞	CEILING/WALL MOUNTED SURFACE TRACK LIGHTING FIXTURE ASSEMBLY
⊞	PRESSURE SWITCH	⊞	CEILING MOUNTED SURFACE/RECESSED LIGHTING FIXTURE-EMERGENCY/NIGHT TYPE AS INDICATED
⊞	TAMPER SWITCH	⊞	CEILING MOUNTED SURFACE/RECESSED FLUORESCENT LIGHTING FIXTURE, TYPE AS INDICATED. NIGHT LIGHT.
⊞	WATER FLOW SWITCH	⊞	CEILING MOUNTED SURFACE/RECESSED FLUORESCENT LIGHTING FIXTURE, TYPE AS INDICATED. NIGHT LIGHT.
⊞	MAGNETIC DOOR HOLDER-WALL OR FLOOR MOUNTED AS INDICATED	⊞	CEILING MOUNTED SURFACE/RECESSED FLUORESCENT LIGHTING FIXTURE, TYPE AS INDICATED. NIGHT LIGHT.
⊞	FIRE ALARM CONTROL PANEL	⊞	CEILING MOUNTED SURFACE/RECESSED FLUORESCENT LIGHTING FIXTURE, TYPE AS INDICATED. NIGHT LIGHT.
⊞	FIRE ALARM ANNUNCIATOR PANEL (REMOTE)	⊞	CEILING MOUNTED SURFACE/RECESSED FLUORESCENT LIGHTING FIXTURE, TYPE AS INDICATED. NIGHT LIGHT.
⊞	REMOTE ANNUNCIATOR/TEST STATION @ 60"	⊞	WALL MOUNTED LIGHTING FIXTURE, TYPE AS INDICATED. NIGHT LIGHT.
⊞	SINGLE PHASE MOTOR	⊞	WALL MOUNTED LIGHTING FIXTURE, TYPE AS INDICATED. NIGHT LIGHT.
⊞	THREE PHASE MOTOR	⊞	POLE MOUNTED LIGHTING FIXTURE
⊞	120 VOLT SIMPLEX RECEPTACLE @ 16"	⊞	WALL SWITCH NUMBER INDICATES 2, 3, OR 4 POLE LETTER INDICATES FIXTURE(S) TO BE CONTROLLED BY SWITCH @ 48"
⊞	120 VOLT DUPLEX RECEPTACLE W/ WEATHERPROOF GFI = GROUND FAULT INTERRUPTER IG = ISOLATED GROUND @ 16"	⊞	DIMMER SWITCH @ 48"
⊞	120 VOLT DOUBLE DUPLEX (QUAD) RECEPTACLE @ 16"	⊞	CIRCUIT RUN TO PANELBOARD NUMBER OF ARROWS INDICATE QUANTITY OF CIRCUITS
⊞	DATA/TELEPHONE OUTLET BOX @ 16"	⊞	CIRCUIT RUN TO PANELBOARD THRU RECESSED JB W/S.S. COVER PLATE. INDICATES CONTRACTOR DESIGNATION
⊞	208V OR 120/208V RECEPTACLE @16"	⊞	CIRCUIT RUN TO PANELBOARD DESIGNATION
⊞	JUNCTION OR PULL BOX	⊞	INDICATES CIRCUIT NUMBERS
⊞	EQUIPMENT DISCONNECT SWITCH @ 60"	⊞	INDICATES PANEL DESIGNATION
⊞	MAGNETIC COMBINATION MOTOR STARTER OR CONTACTOR DISCONNECT SWITCH @ 60"	⊞	CONDUIT RUNS ABOVE GRADE
⊞	MAGNETIC STARTER OR CONTACTOR @ 60"	⊞	CONDUIT RUN BELOW GRADE OR IN CONCRETE SLAB
⊞	NON-MAGNETIC MANUAL MOTOR STARTER	⊞	CONDUIT RISE
⊞	LIGHTING/POWER PANELBOARD TOP BREAKER @ 72"	⊞	CONDUIT DROP
		⊞	UNSWITCHED LEG
		⊞	SWITCHED LEG

REVISIONS:

Atlanta
Boston
Chicago
Dallas
Los Angeles
Miami
Sacramento

WDP partners

7007 Discovery Blvd
Dublin, OH 43017
614.834.7777 F
wdpartners.com

DATE ISSUED: 07-02-2008

Tim Hortons

1408 CONGRESS STREET
PORTLAND, ME 04102

LIGHTING PLAN

SAI # 08138

DRAWN BY: CG **CHECKED BY:** JD

DRAWING NUMBER: E1